



US00D587765S

(12) **United States Design Patent**  
**Dawes**

(10) **Patent No.:** **US D587,765 S**  
(45) **Date of Patent:** **\*\* Mar. 3, 2009**

(54) **CANOPY FOR A TOY**

(75) Inventor: **Laurence Dawes, Arhus C (DK)**

(73) Assignee: **Lego A/S, Billund (DK)**

(\*\*) Term: **14 Years**

(21) Appl. No.: **29/294,750**

(22) Filed: **Jan. 25, 2008**

(51) **LOC (9) Cl.** ..... **21-01**

(52) **U.S. Cl.** ..... **D21/495; D21/505**

(58) **Field of Classification Search** ..... D21/484,  
D21/485, 486, 490, 494, 495, 500, 504, 505,  
D21/507, 561; 446/69, 85, 102-128; 434/259,  
434/403; 273/153, 153 P, 156  
See application file for complete search history.

(56) **References Cited**

**U.S. PATENT DOCUMENTS**

3,034,254	A	*	5/1962	Christiansen	.....	446/128
D285,705	S	*	9/1986	Dideriksen	.....	D21/505
D295,648	S	*	5/1988	Knudsen	.....	D21/492
D304,046	S	*	10/1989	Knudsen	.....	D21/492
D315,754	S	*	3/1991	Eggert et al.	.....	D21/492
D317,480	S	*	6/1991	Skov et al.	.....	D21/504
D317,634	S	*	6/1991	Larsen et al.	.....	D21/492
D317,635	S	*	6/1991	Eggert et al.	.....	D21/492
D318,077	S	*	7/1991	Larsen et al.	.....	D21/505
D318,696	S	*	7/1991	Hoyer et al.	.....	D21/503

D330,056	S	*	10/1992	Pagel	.....	D21/505
D332,471	S	*	1/1993	Rahbek	.....	D21/503
D335,153	S	*	4/1993	Skov	.....	D21/492
D335,154	S	*	4/1993	Knudsen	.....	D21/504
D353,629	S	*	12/1994	Skov	.....	D21/504
D354,529	S	*	1/1995	Skov	.....	D21/504
D361,099	S	*	8/1995	Skov	.....	D21/504
D409,260	S	*	5/1999	Toft	.....	D21/505
D409,685	S	*	5/1999	Toft	.....	D21/503
D547,394	S	*	7/2007	Toft	.....	D21/484

\* cited by examiner

*Primary Examiner*—Holly H Baynham

*Assistant Examiner*—Cynthia M Chin

(74) *Attorney, Agent, or Firm*—Day Pitney LLP

(57) **CLAIM**

The ornamental design for a canopy for a toy, as shown and described.

**DESCRIPTION**

FIG. 1 is a front view of my design of a toy element;

FIG. 2 is a right side view thereof;

FIG. 3 is a rear view thereof;

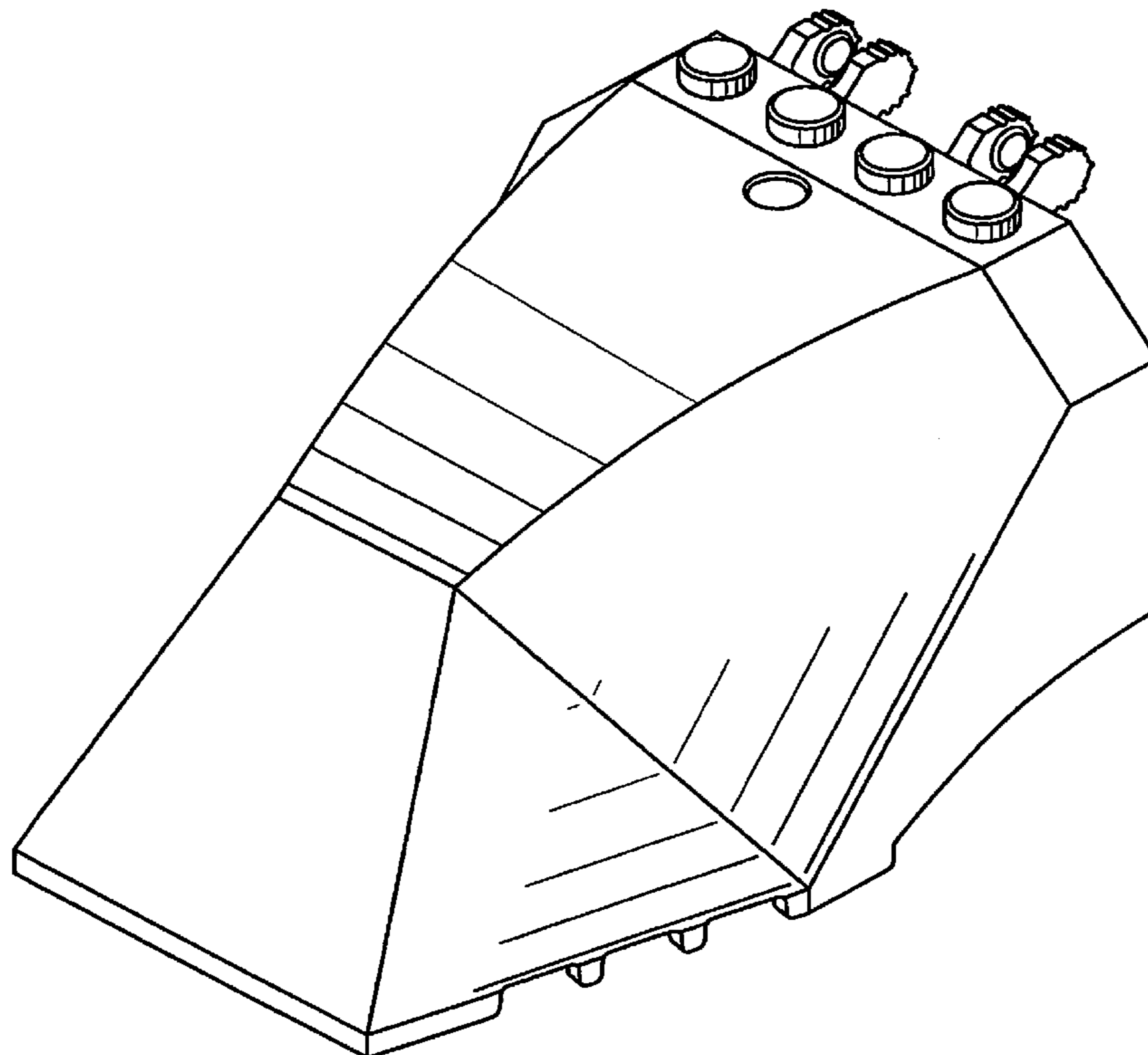
FIG. 4 is a left side view thereof;

FIG. 5 is a top view thereof;

FIG. 6 is a bottom view thereof; and,

FIG. 7 is a top perspective view thereof.

**1 Claim, 7 Drawing Sheets**



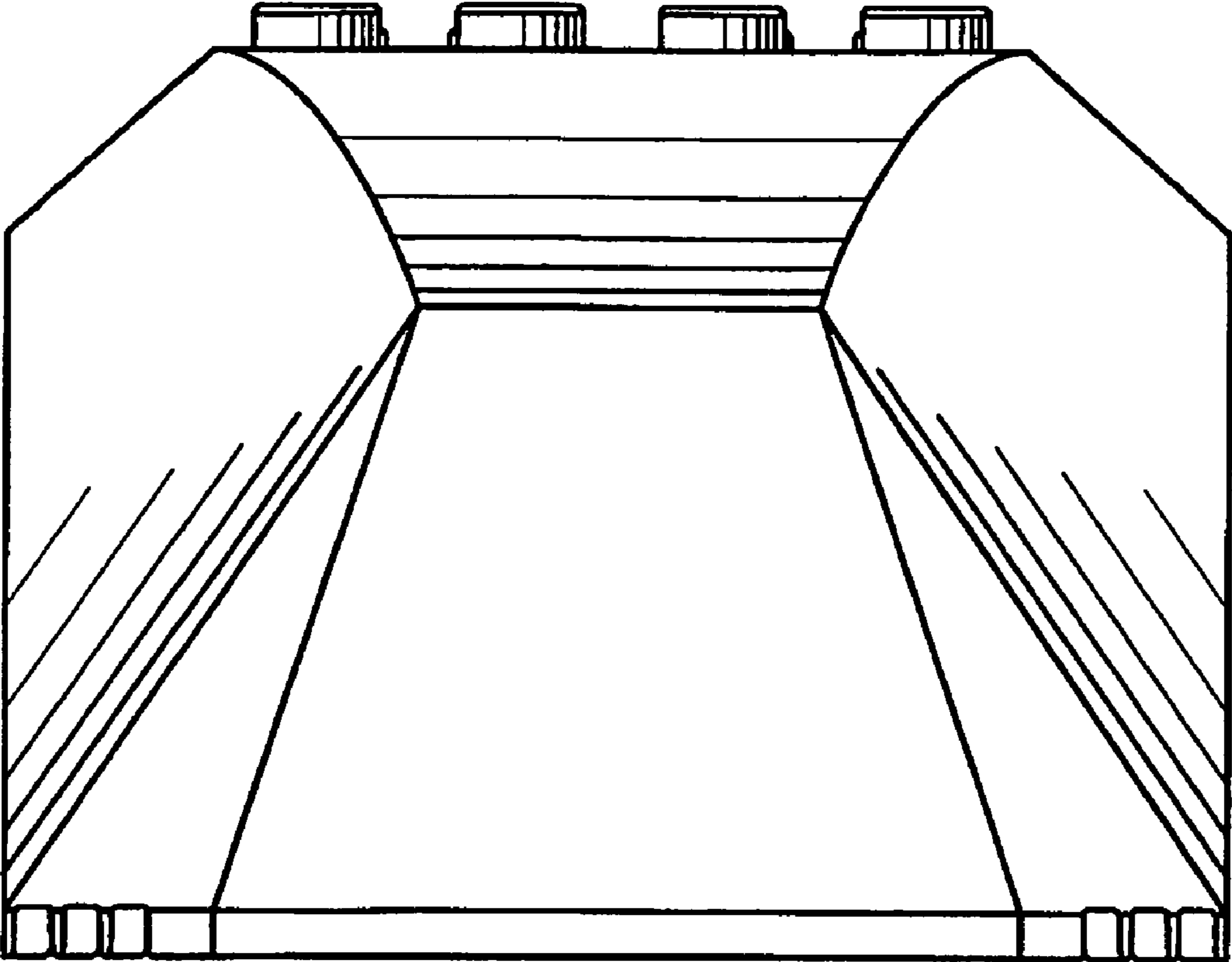


FIG. 1

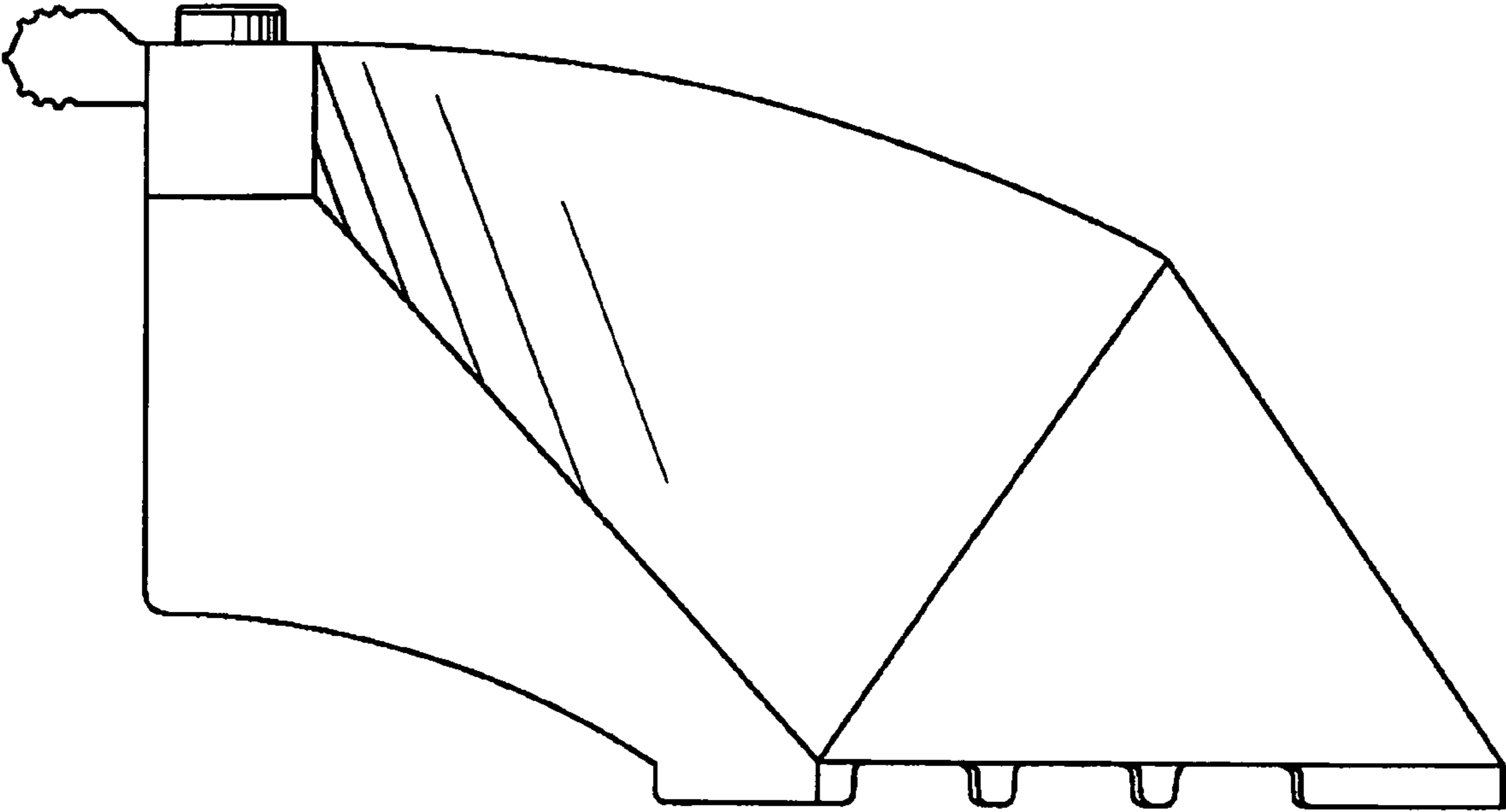


FIG. 2

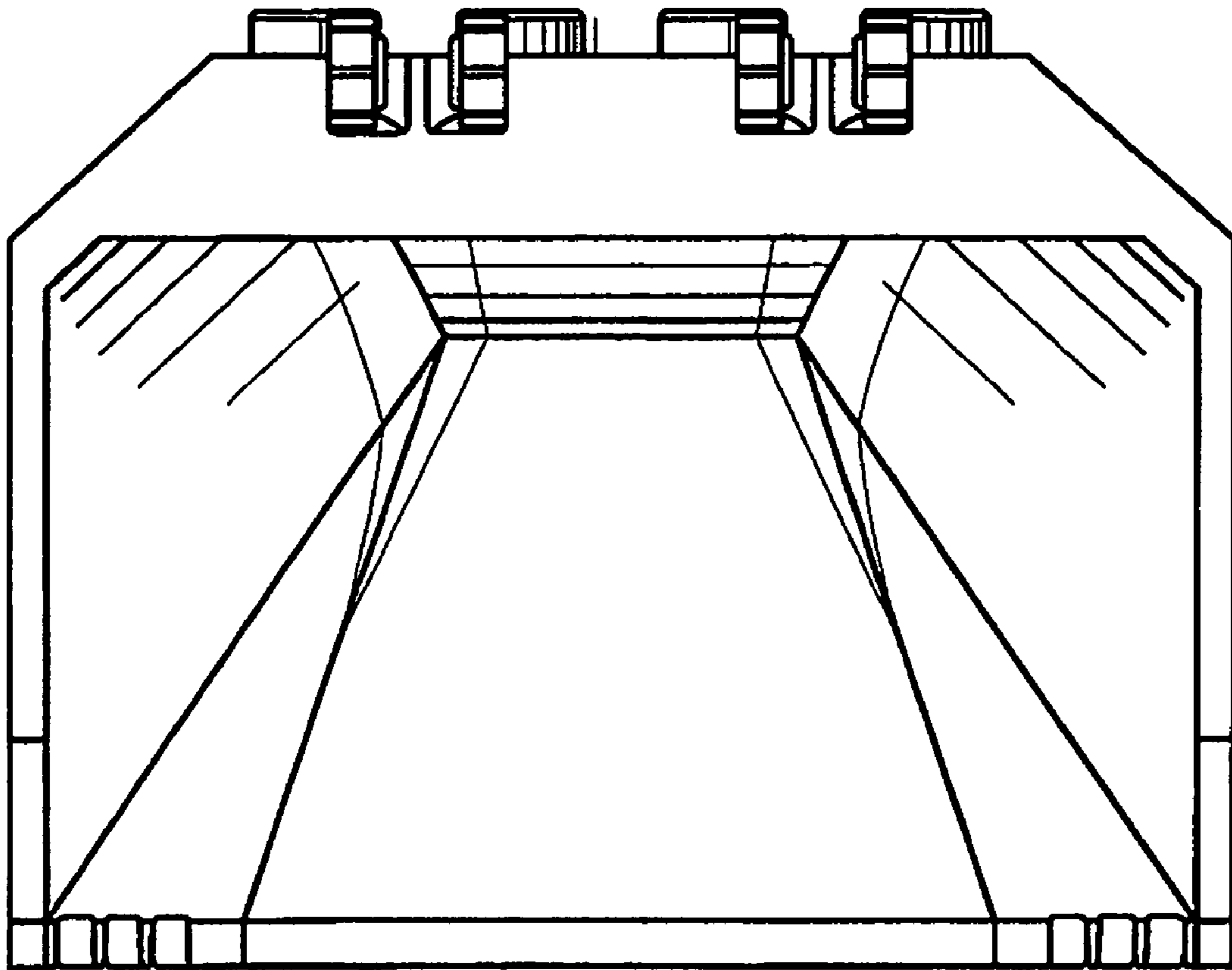


FIG. 3

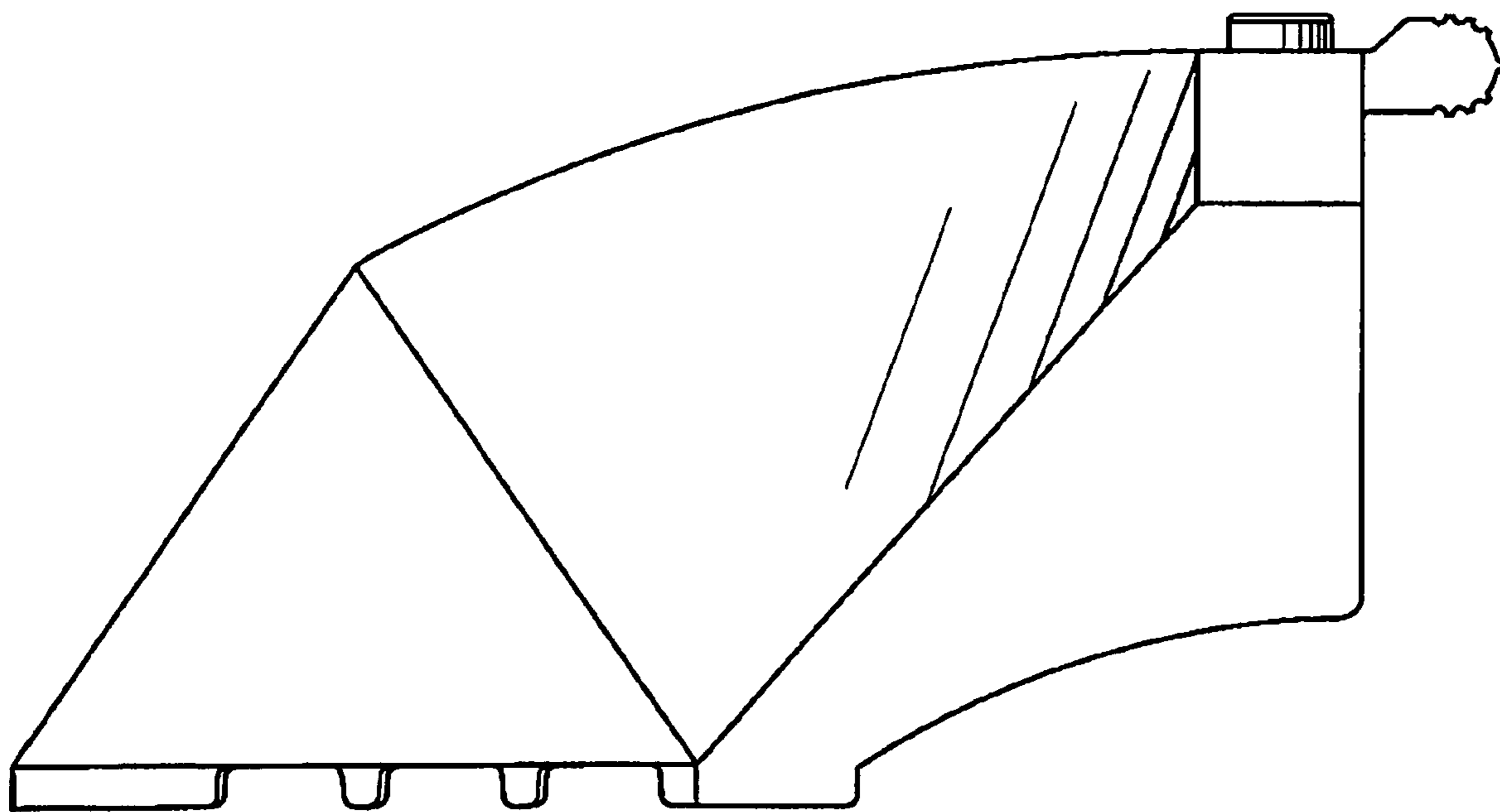


FIG. 4

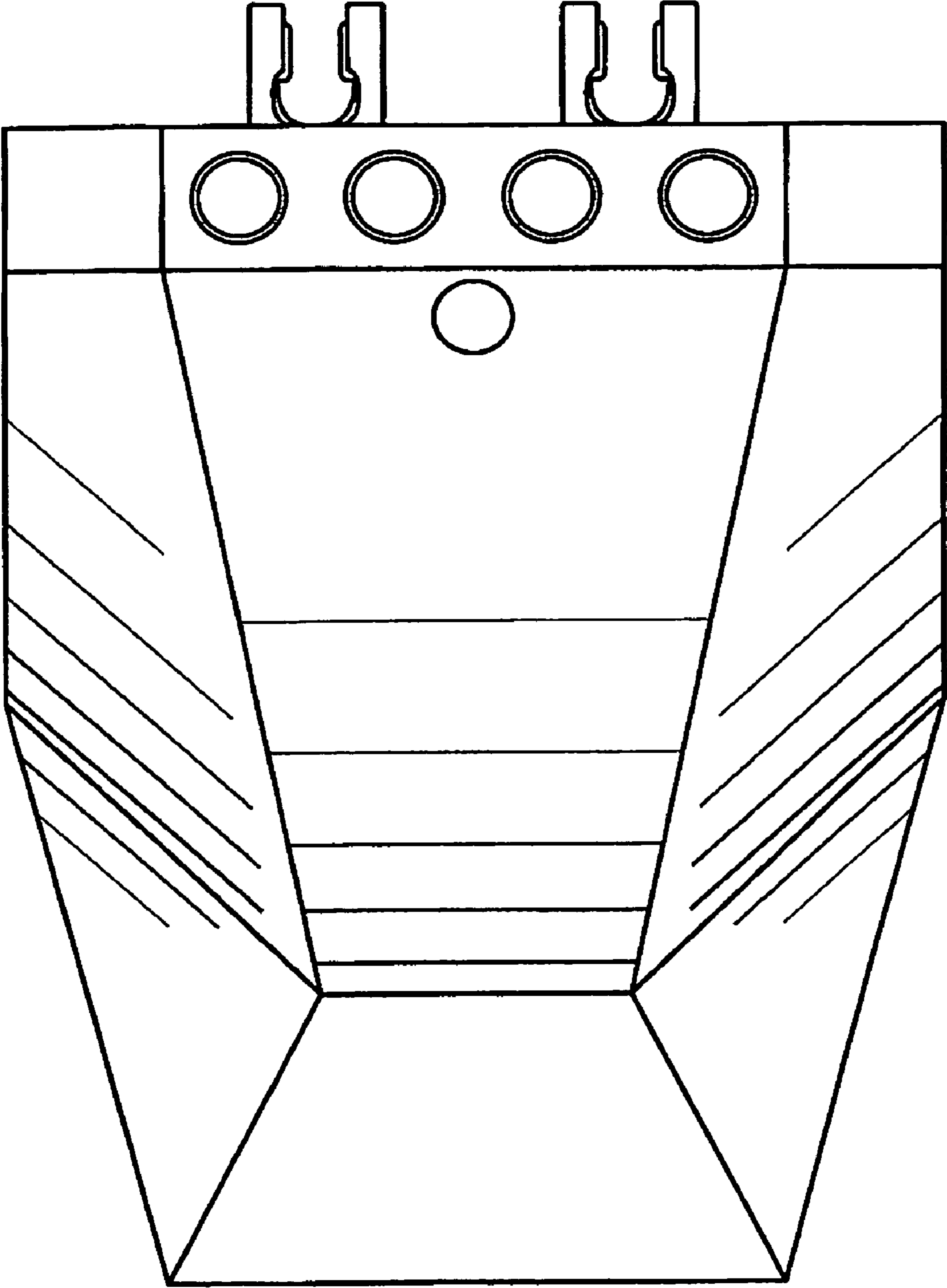


FIG. 5

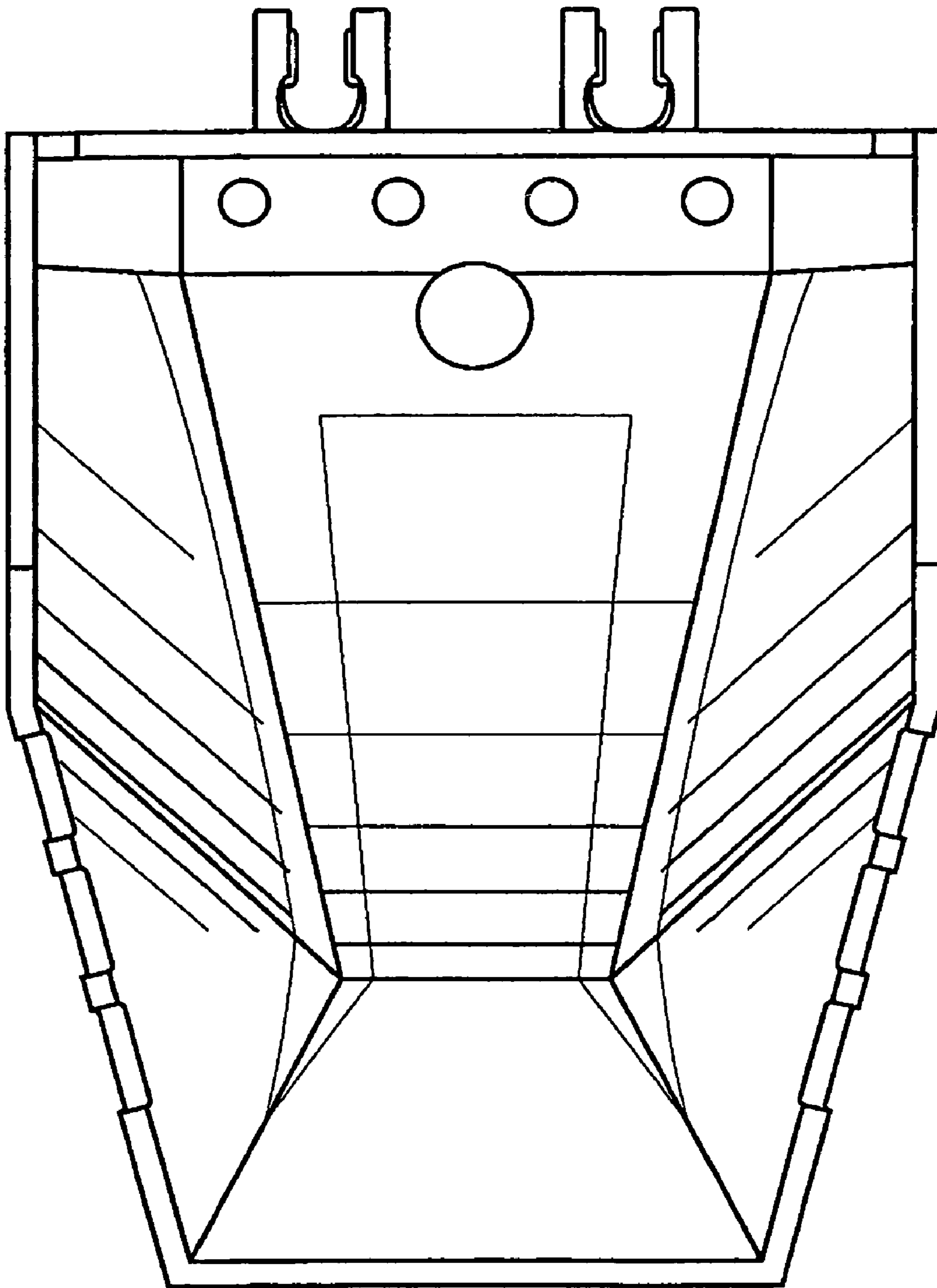


FIG. 6

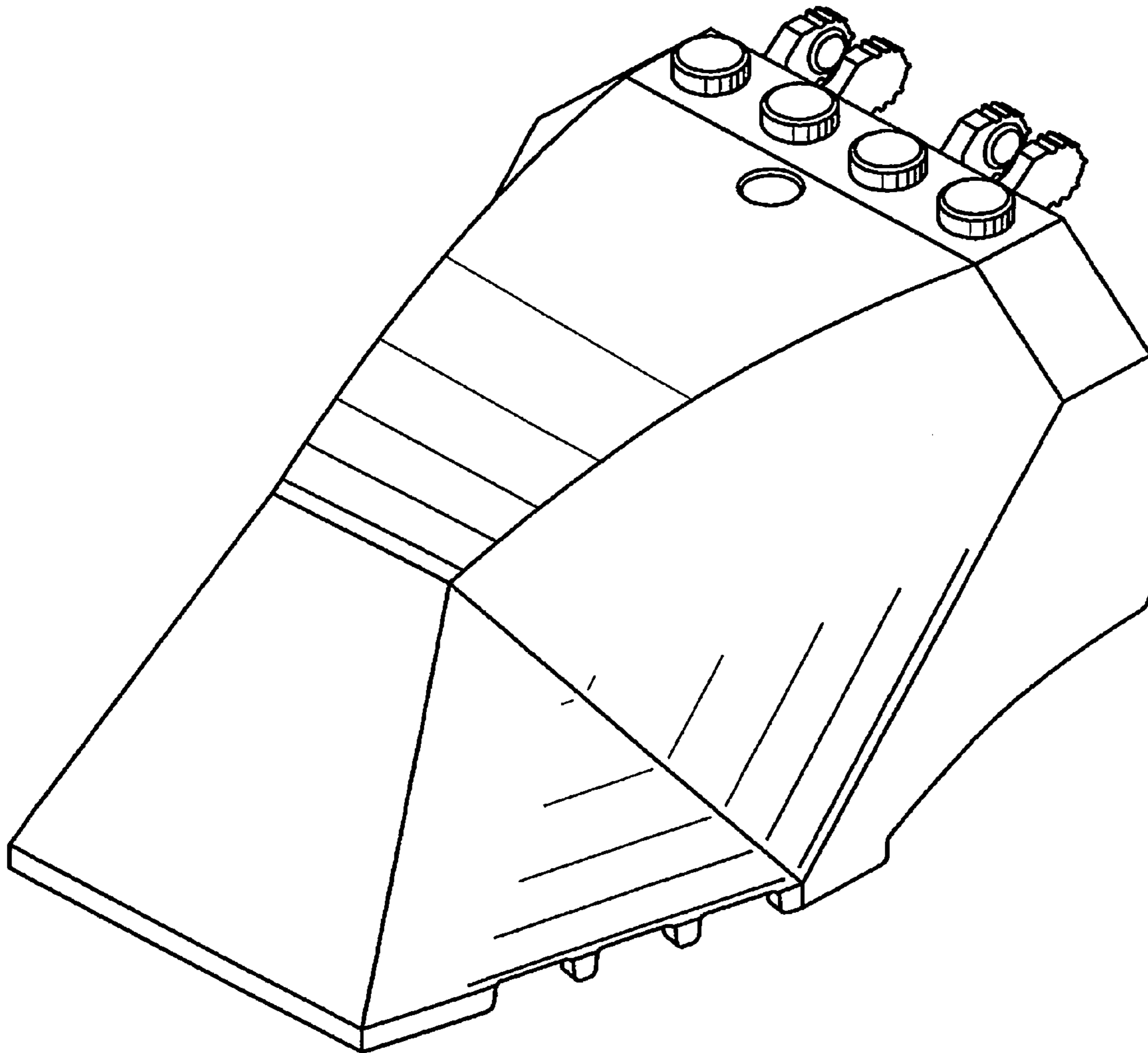


FIG. 7