



US00D587764S

(12) **United States Design Patent**  
**Cheng**

(10) **Patent No.:** **US D587,764 S**  
(45) **Date of Patent:** **\*\* Mar. 3, 2009**

(54) **WALKER**

(75) Inventor: **Chung-Jen Cheng**, Tainan (TW)

(73) Assignee: **Jin Sun Gee Plastics Co., Ltd.**, Tainan (TW)

(\*\*) Term: **14 Years**

(21) Appl. No.: **29/290,680**

(22) Filed: **Jan. 3, 2008**

(51) **LOC (9) Cl.** ..... **21-01**

(52) **U.S. Cl.** ..... **D21/419; D12/130; D21/412**

(58) **Field of Classification Search** ..... D12/128-133;  
280/62, 647-650, 29, 200, 47.38, 250.1,  
280/259, 642, 658; D21/433, 419, 421, 423,  
D21/743, 765, 477, 412

See application file for complete search history.

(56) **References Cited**

**U.S. PATENT DOCUMENTS**

D326,123 S \* 5/1992 Cannon ..... D21/477  
5,449,185 A \* 9/1995 Sykes ..... 280/87.051  
D391,309 S \* 2/1998 Meeker et al. .... D21/412  
D395,467 S \* 6/1998 Bellows ..... D21/412  
D439,207 S \* 3/2001 Liu ..... D12/130

D445,143 S \* 7/2001 Bellows ..... D21/419  
D466,843 S \* 12/2002 Paesang et al. .... D12/130  
D475,000 S \* 5/2003 Wu ..... D12/133  
D475,325 S \* 6/2003 Wu ..... D12/133  
D475,661 S \* 6/2003 Chuang ..... D21/130  
6,863,287 B2 \* 3/2005 Myers et al. .... 280/87.051

\* cited by examiner

*Primary Examiner*—Ian Simmons

*Assistant Examiner*—Charles D Hanson

(74) *Attorney, Agent, or Firm*—Rosenberg, Klein & Lee

(57) **CLAIM**

The ornamental design for a walker, as shown and described.

**DESCRIPTION**

FIG. 1 is a perspective view of a walker showing my new design;

FIG. 2 is a front elevational view thereof;

FIG. 3 is a rear elevational view thereof;

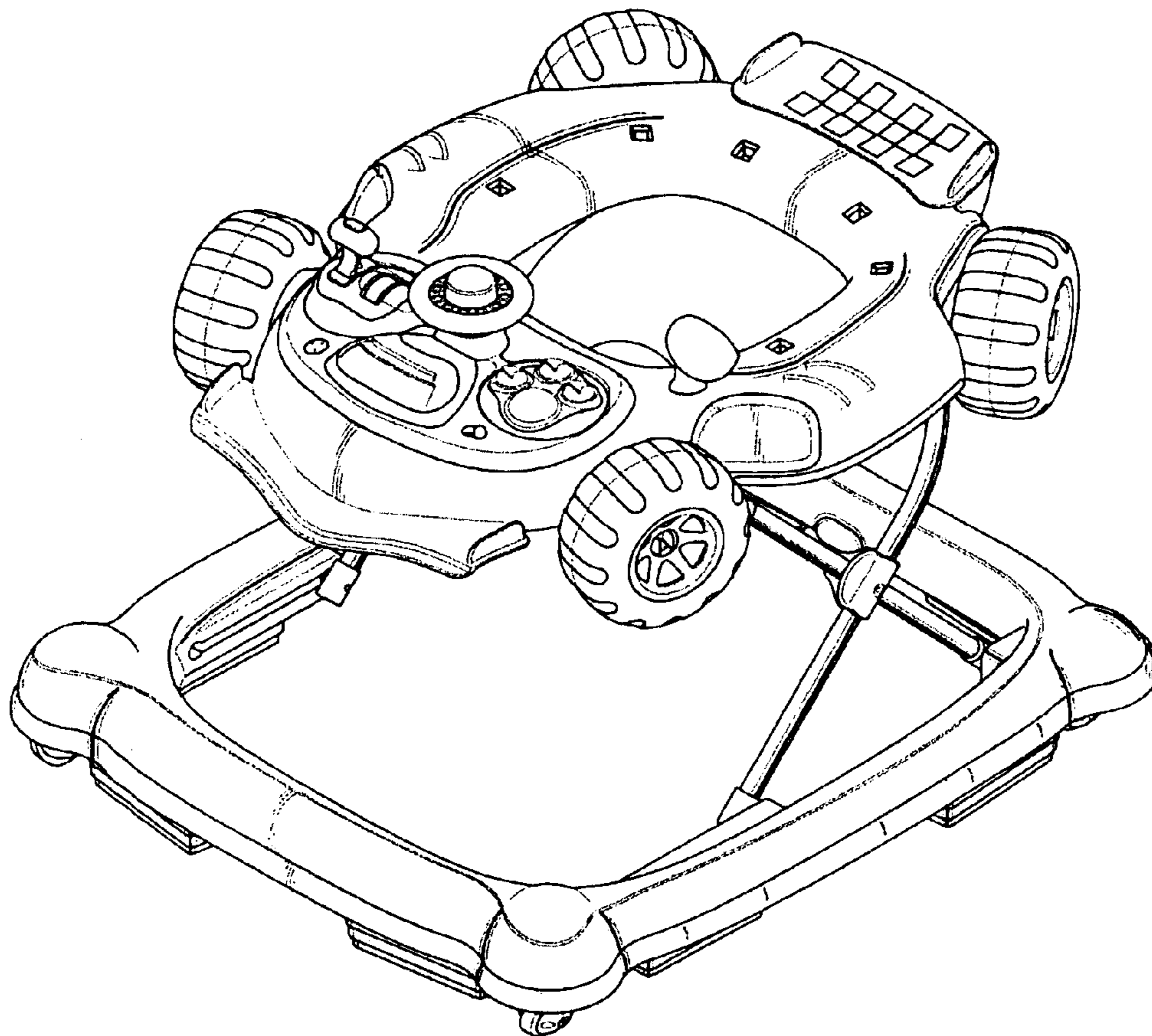
FIG. 4 is a left side elevational view thereof;

FIG. 5 is a right side elevational view thereof;

FIG. 6 is a top plan view thereof; and,

FIG. 7 is a bottom plan view thereof.

**1 Claim, 7 Drawing Sheets**



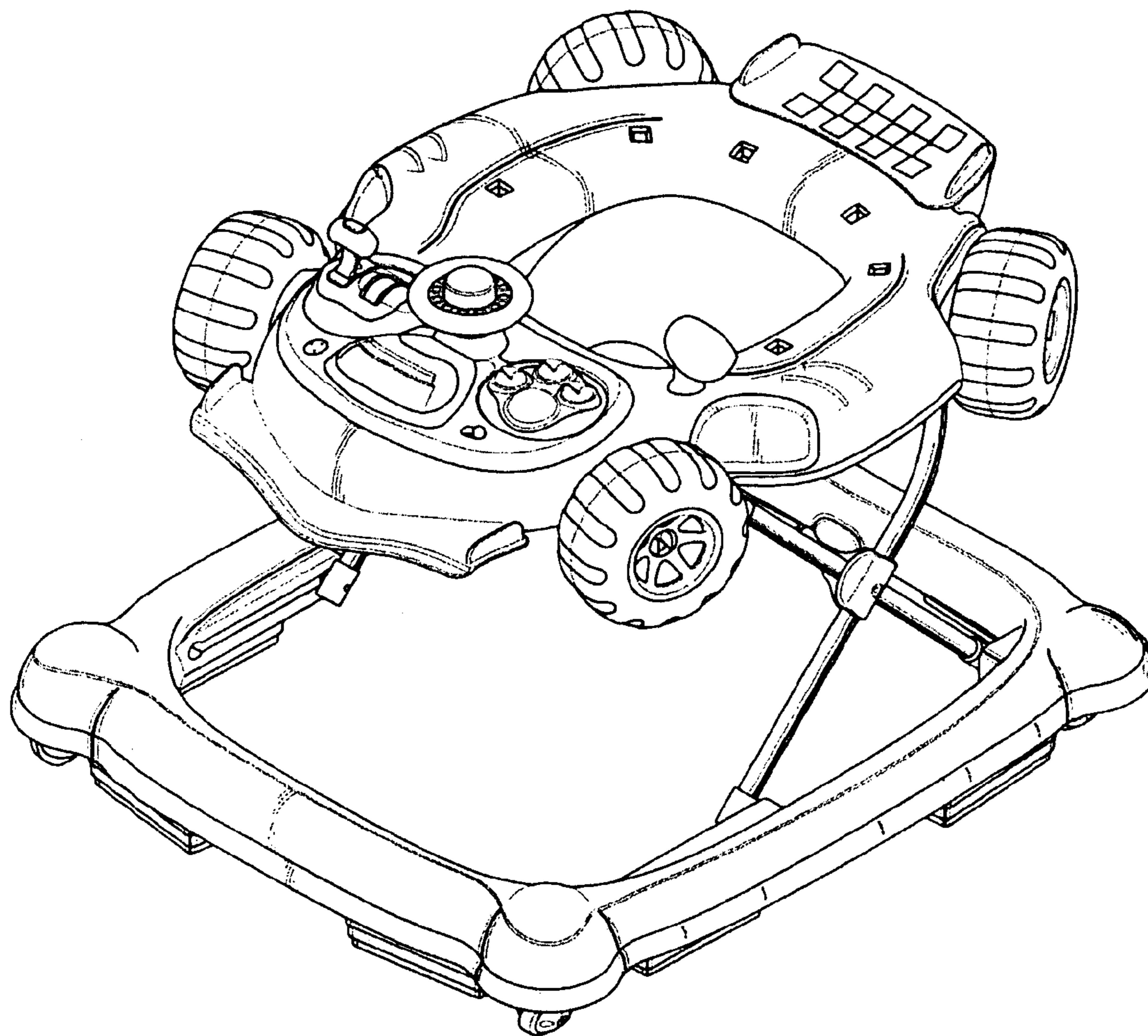


FIG . 1

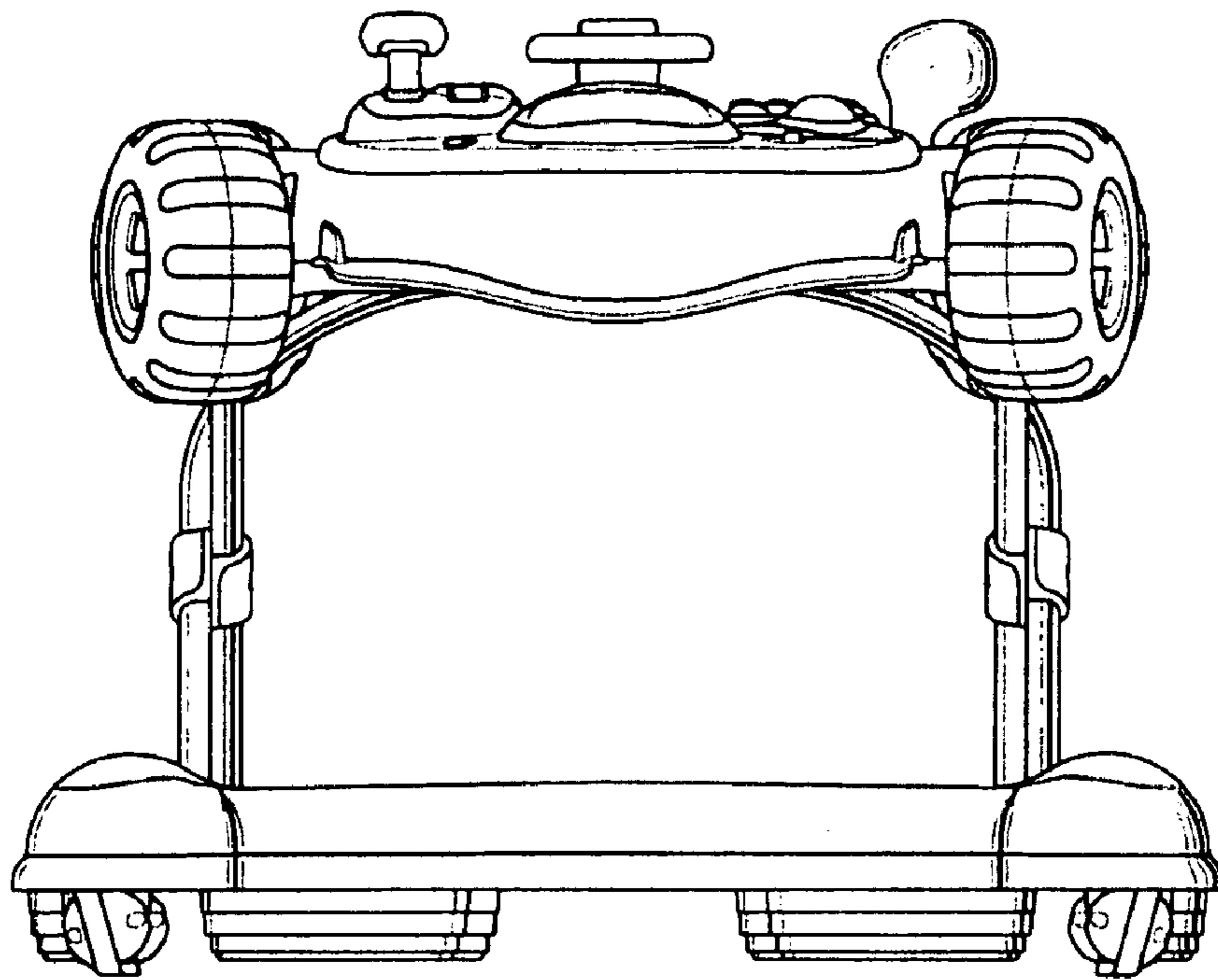


FIG . 2

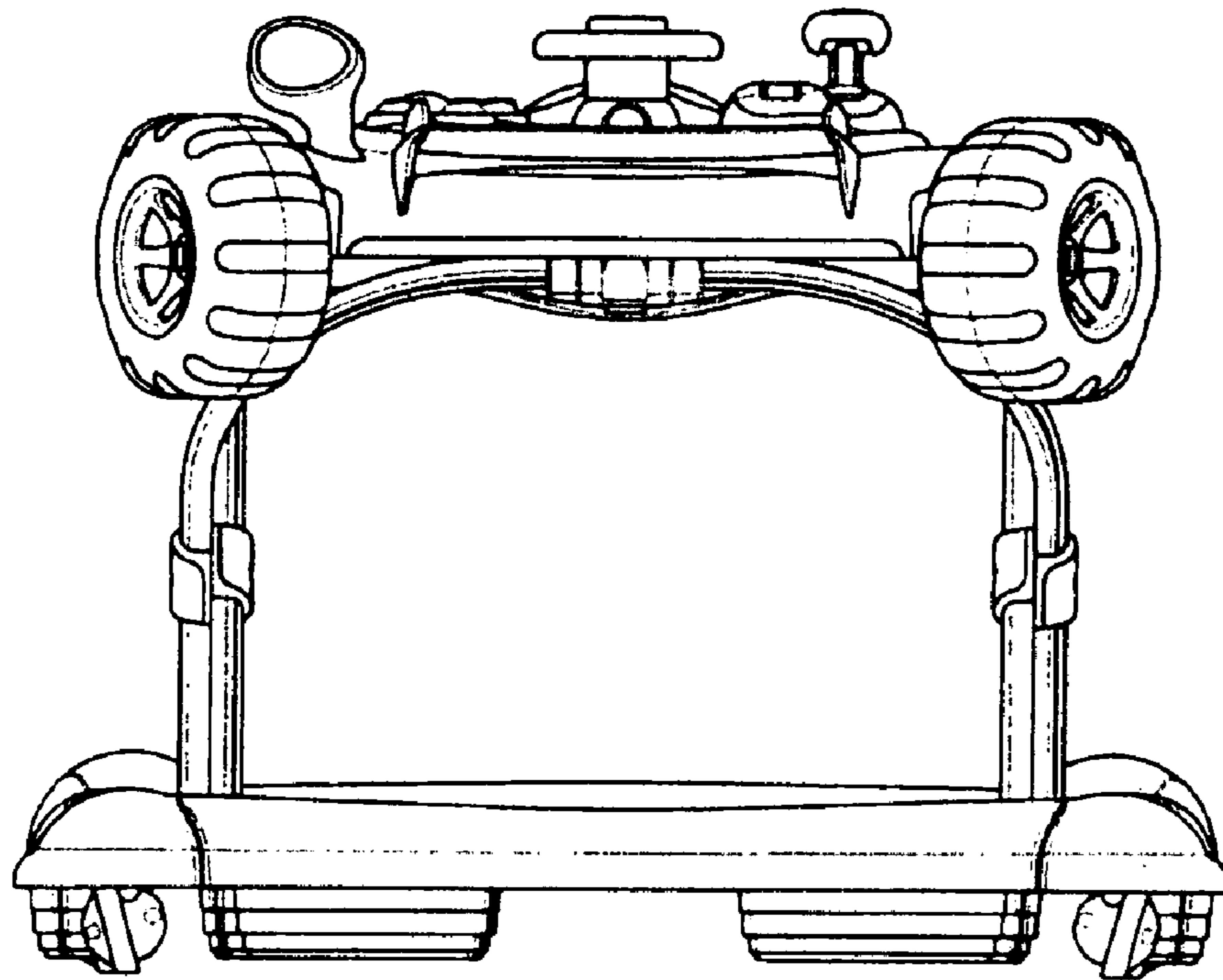


FIG . 3

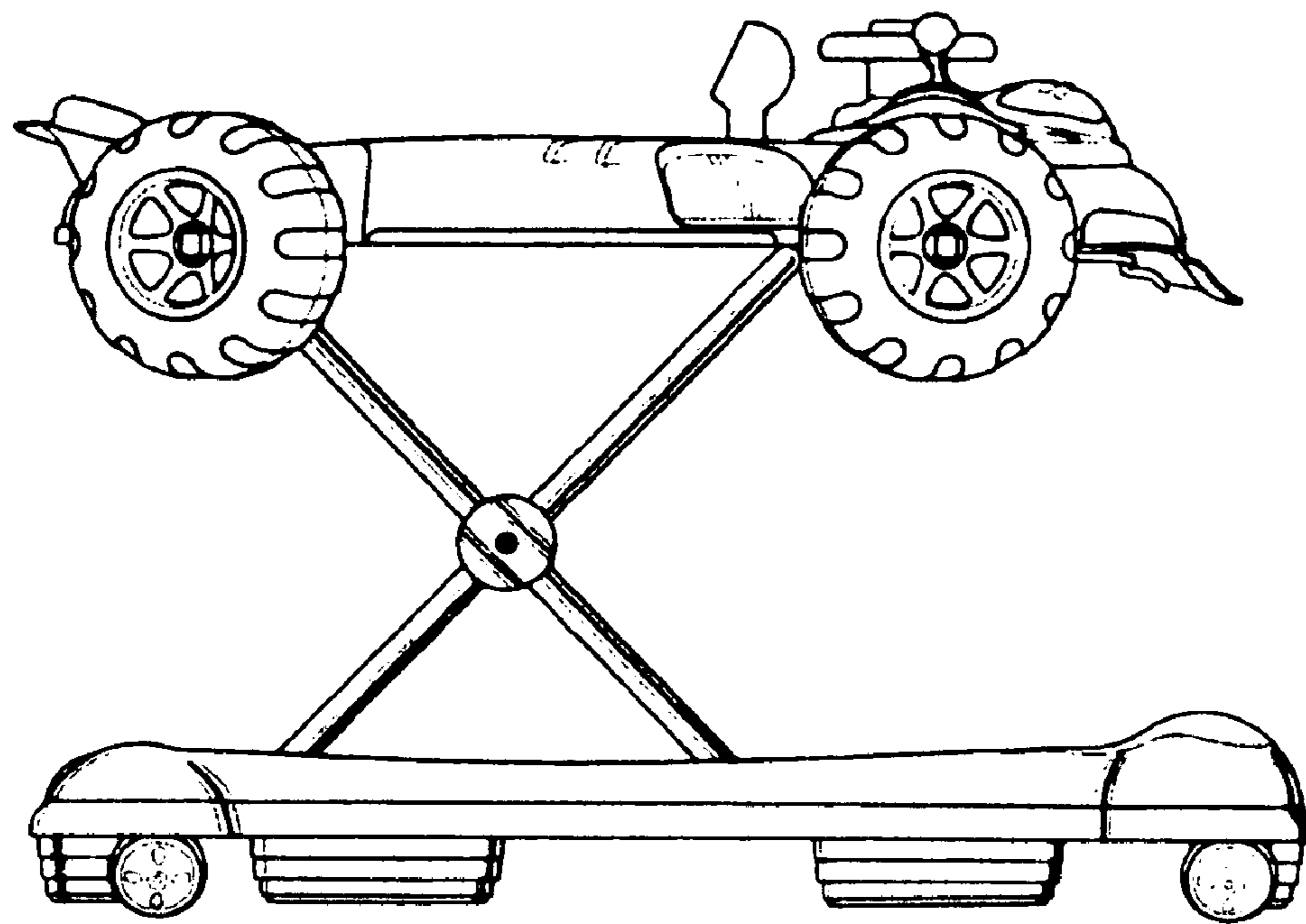


FIG . 4

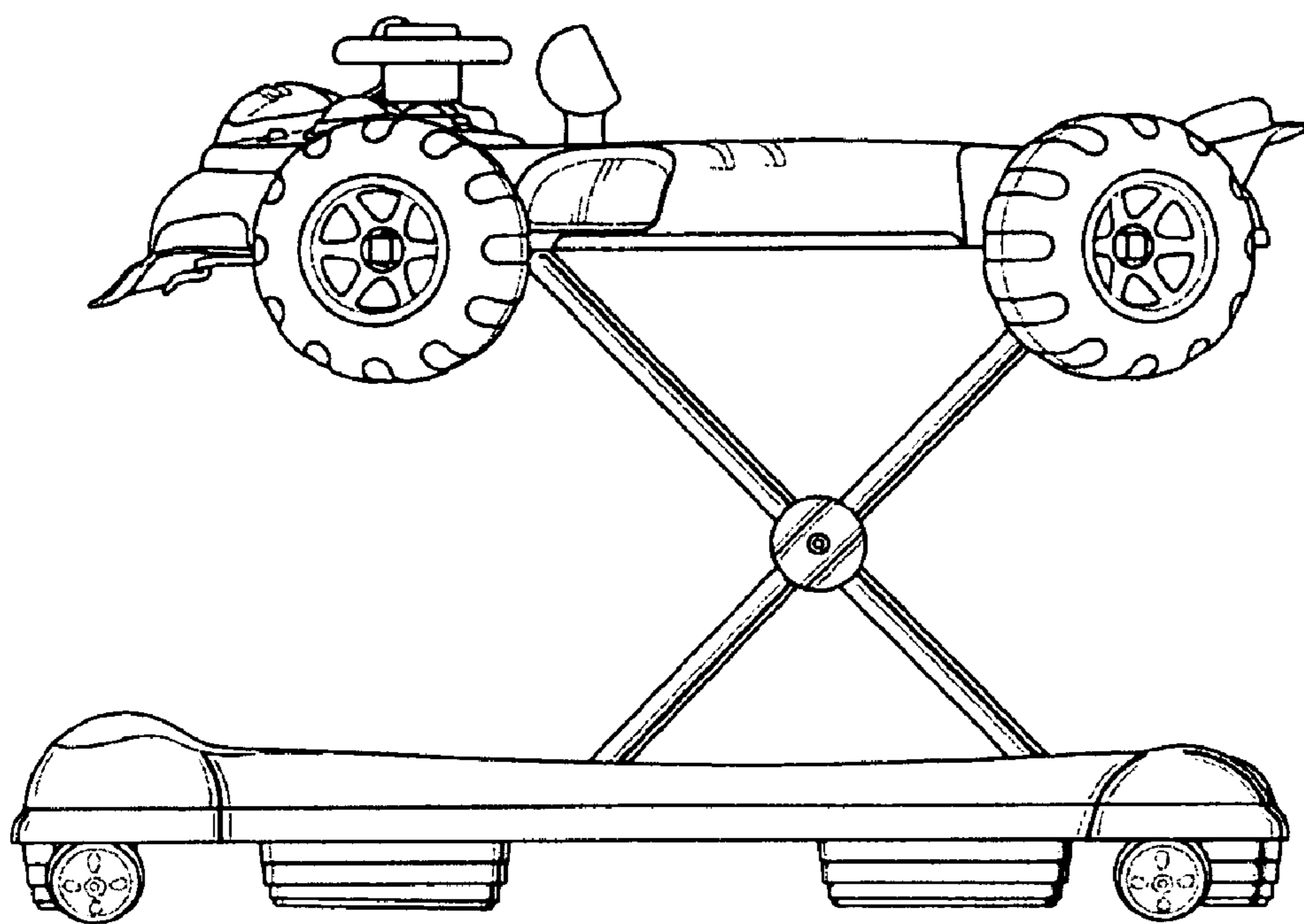


FIG . 5

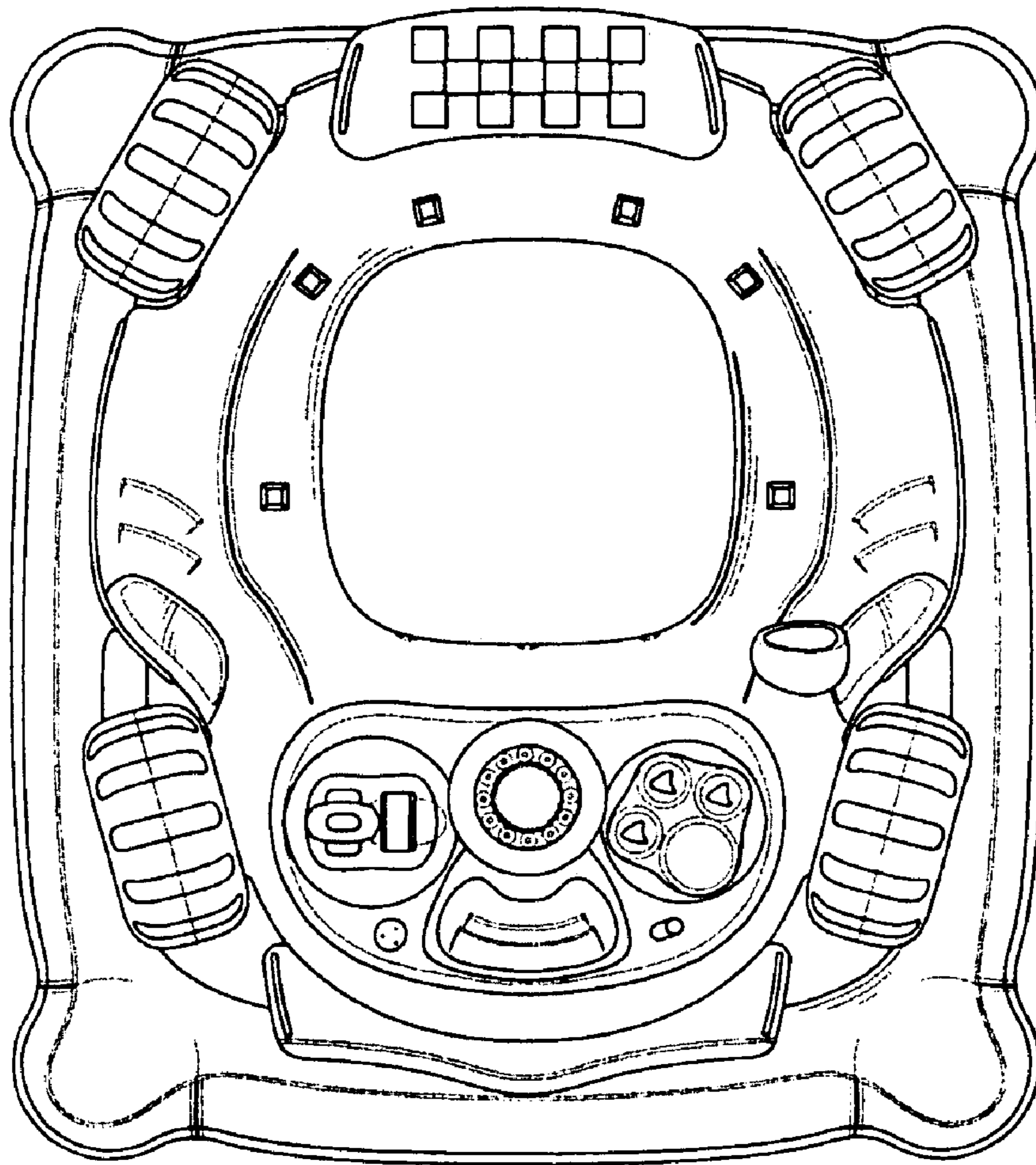


FIG . 6

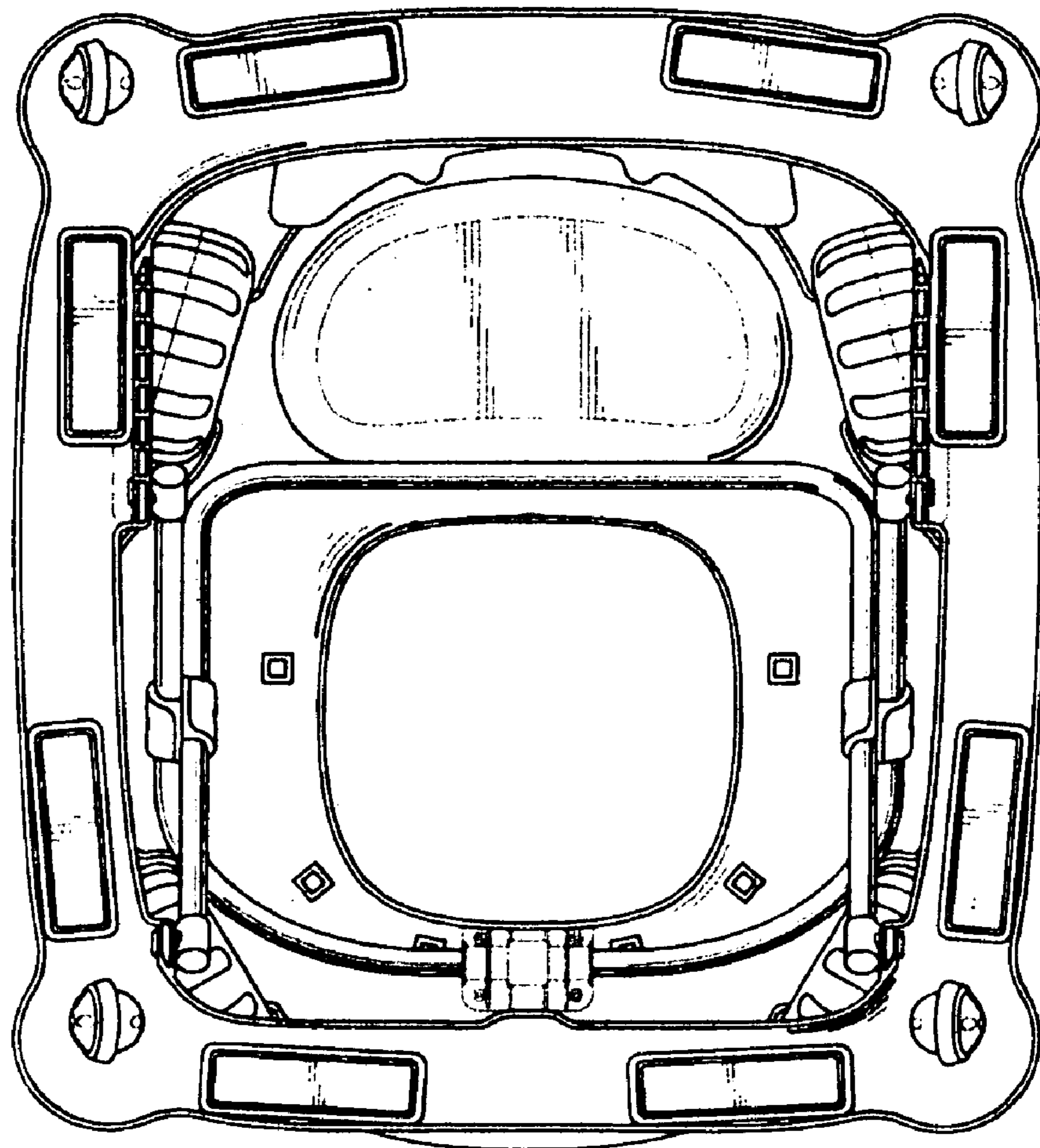


FIG . 7