

US00D587763S

(12) **United States Design Patent**
Ishii et al.

(10) **Patent No.:** **US D587,763 S**
(45) **Date of Patent:** **** Mar. 3, 2009**

(54) **GAME MACHINE**

(75) Inventors: **Takaaki Ishii**, Tokyo (JP); **Ryo Hine**, Tokyo (JP)

(73) Assignee: **Konami Digital Entertainment Co., Ltd.**, Tokyo (JP)

(**) Term: **14 Years**

(21) Appl. No.: **29/308,194**

(22) Filed: **Jun. 3, 2008**

(30) **Foreign Application Priority Data**

Dec. 6, 2007 (JP) D2007-033436

(51) **LOC (9) Cl.** **21-01**

(52) **U.S. Cl.** **D21/325**

(58) **Field of Classification Search** D21/324,
D21/325, 326, 329, 333, 369-371, 385; 273/148 B,
273/138.1, 138.2, 139; 463/16-22, 29-35,
463/47; 345/905

See application file for complete search history.

(56) **References Cited**

U.S. PATENT DOCUMENTS

4,850,591 A * 7/1989 Takezawa et al. 463/37
D403,024 S * 12/1998 Muraki et al. D21/326
5,951,397 A * 9/1999 Dickinson 463/36
D419,606 S * 1/2000 Toriyama D21/325

6,379,249 B1 * 4/2002 Satsukawa et al. 463/31
6,461,239 B1 * 10/2002 Sagawa et al. 463/7
6,508,707 B2 * 1/2003 DeMar et al. 463/16
D508,541 S * 8/2005 Tsujino et al. D21/325
D546,893 S * 7/2007 Yamashita D21/325
D566,195 S * 4/2008 Ichimura et al. D21/325
D570,922 S * 6/2008 Reetz D21/325

* cited by examiner

Primary Examiner—Prabhakar Deshmukh

(74) *Attorney, Agent, or Firm*—Jordan and Hamburg LLP

(57) **CLAIM**

The ornamental design for a game machine, as shown and described.

DESCRIPTION

FIG. 1 is a perspective view of a game machine;

FIG. 2 is a front view thereof;

FIG. 3 is a rear view thereof;

FIG. 4 is a left side view thereof;

FIG. 5 is a right side view thereof; and,

FIG. 6 is a top view thereof.

The broken lines, which define the bounds of the claimed design, form no part thereof. The portions of the design shown in broken lines are for illustrative purpose only and form no part of the claimed design.

1 Claim, 4 Drawing Sheets

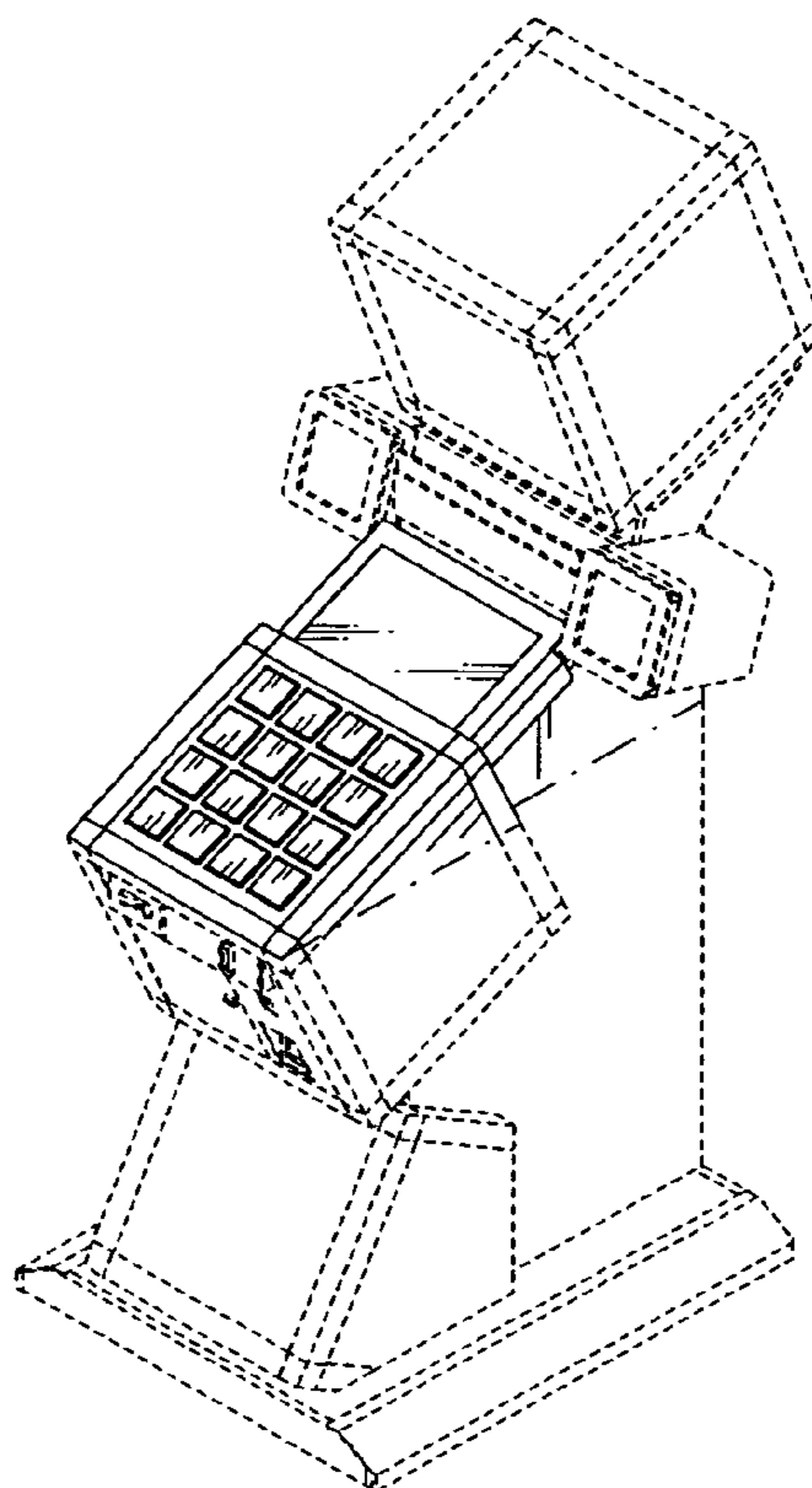


Fig. 1

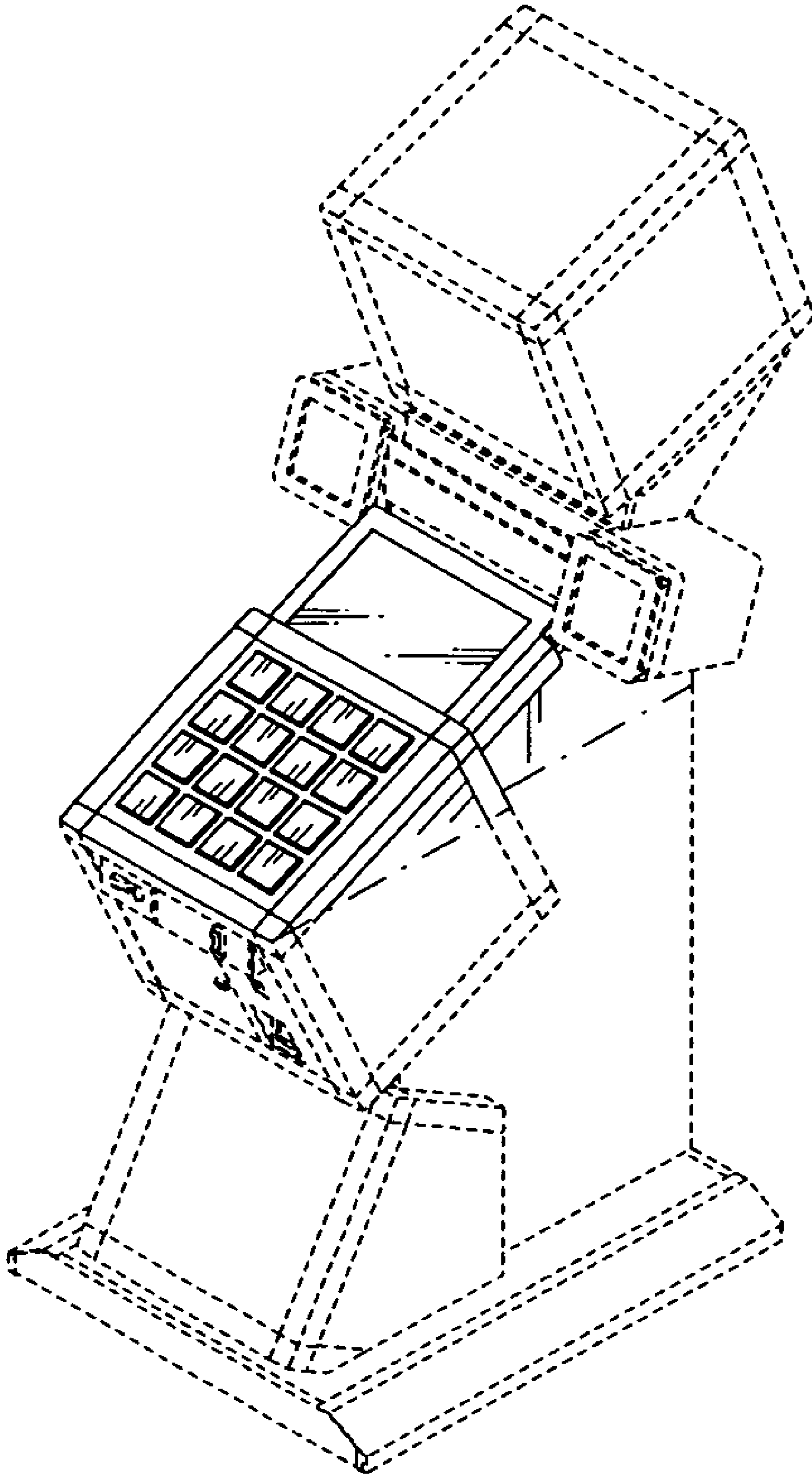


Fig.2

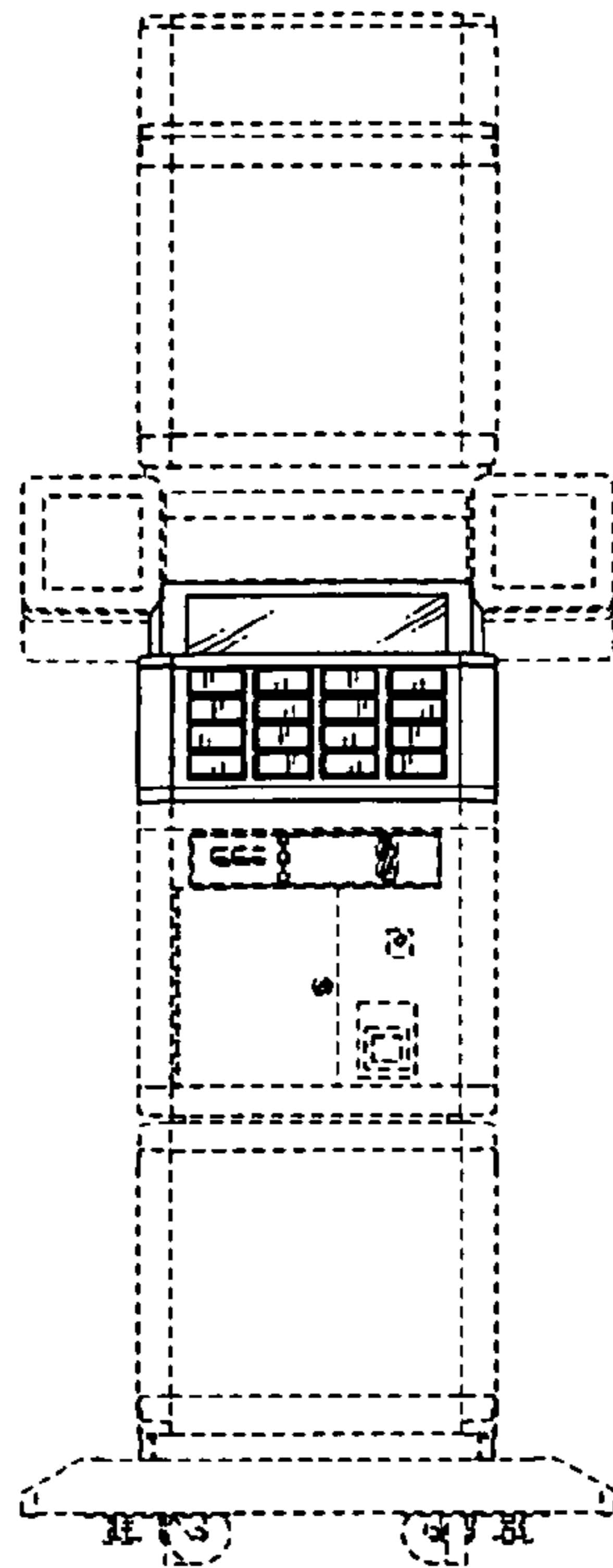


Fig.3

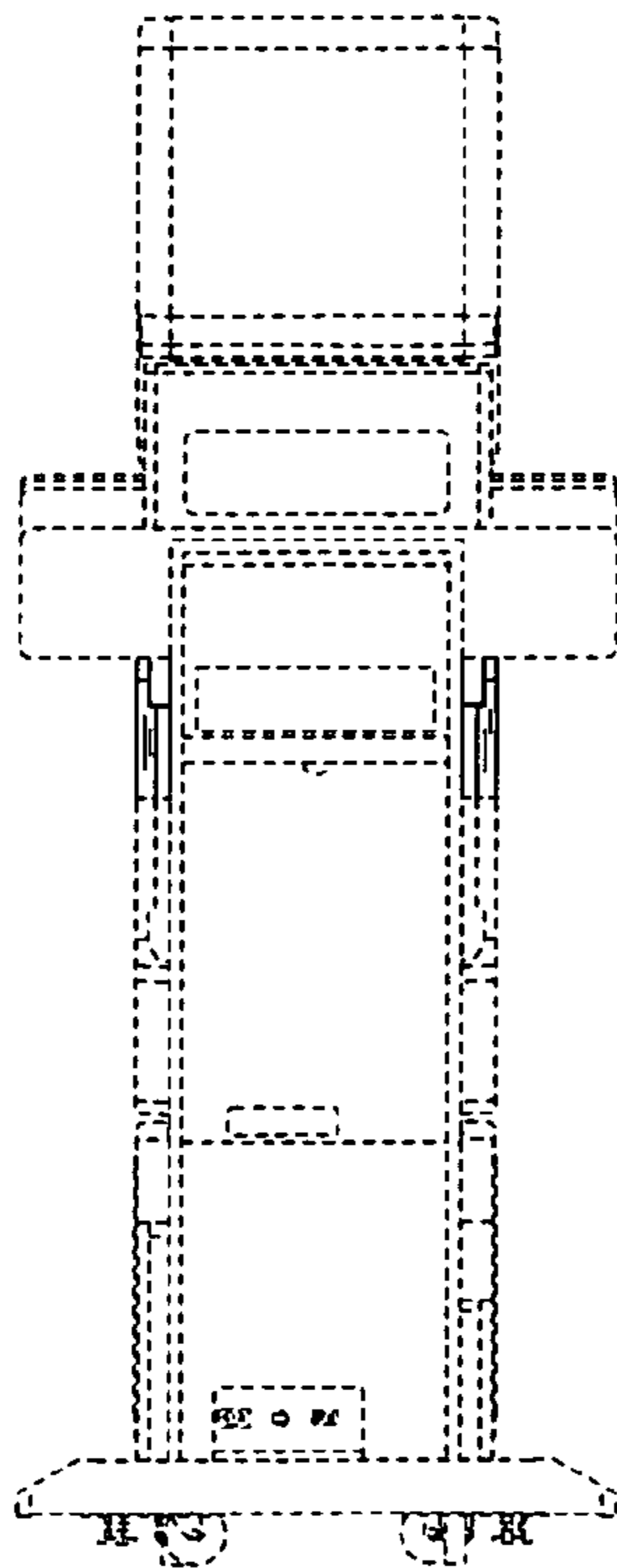


Fig.4

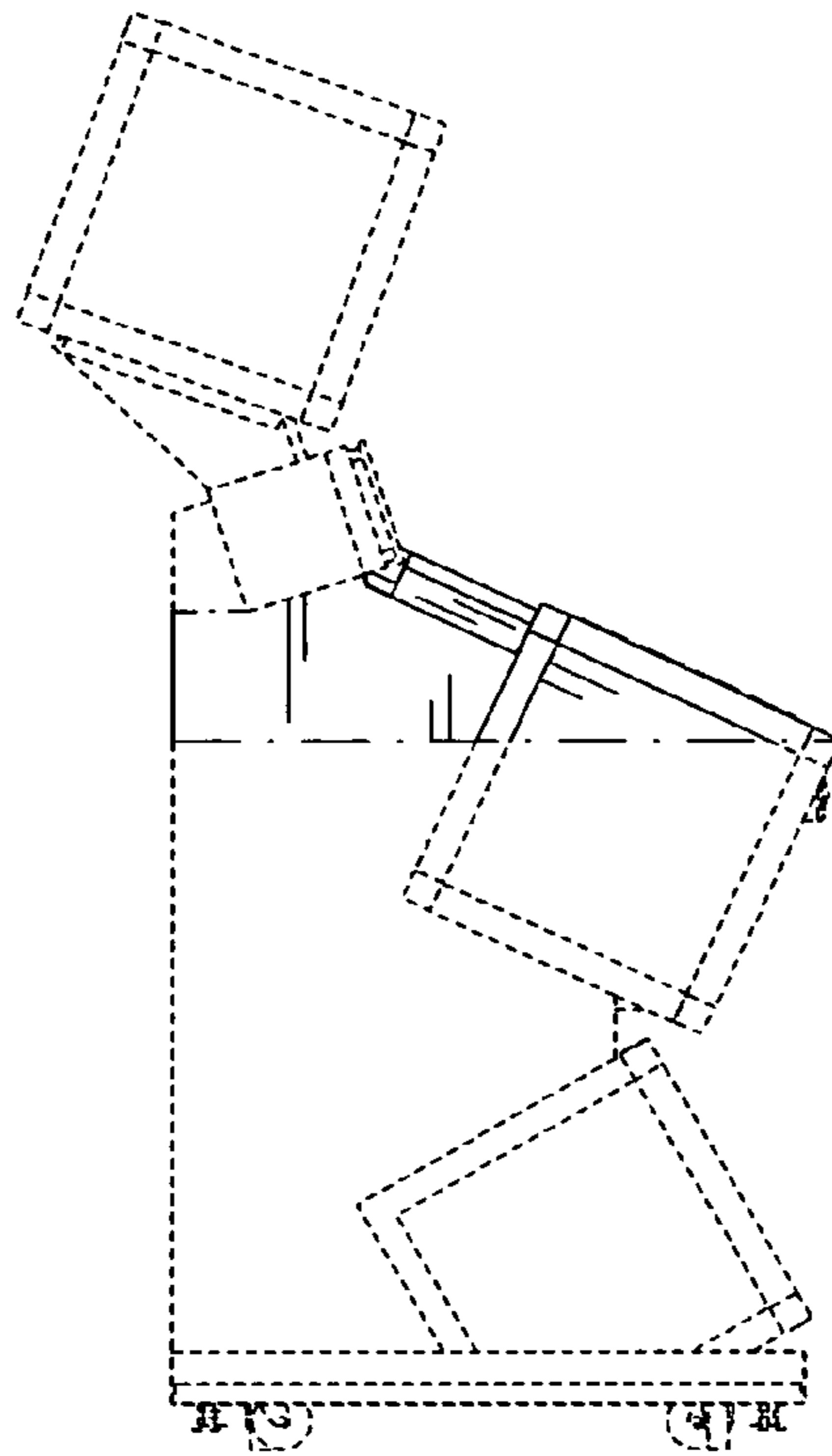


Fig.5

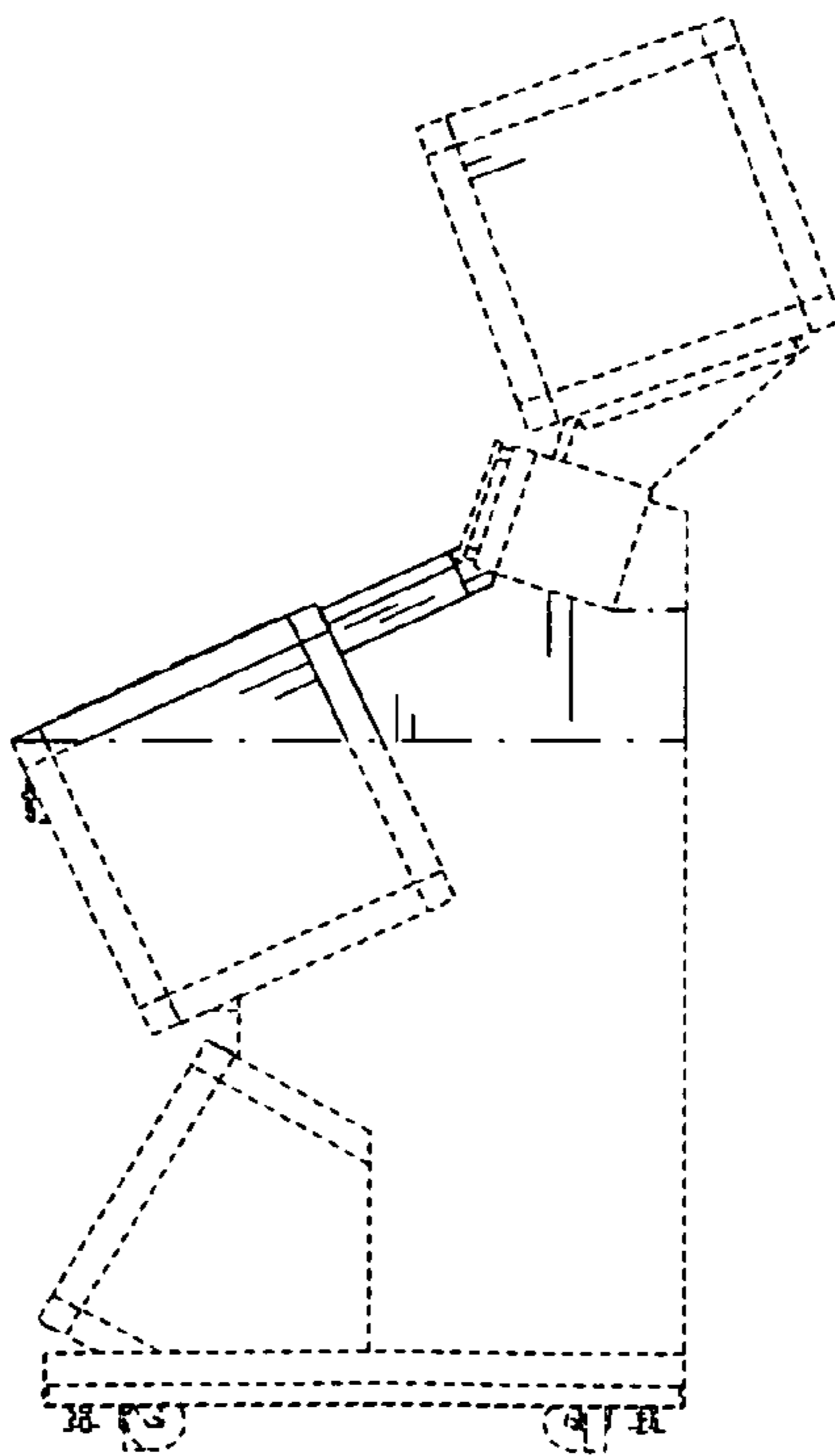


Fig.6

