



US00D587762S

(12) **United States Design Patent**  
**Zeyfang**

(10) **Patent No.:** **US D587,762 S**  
(45) **Date of Patent:** **\*\* Mar. 3, 2009**

(54) **INFORMATION TUBE**

(75) Inventor: **Frederick W. Zeyfang**, Erie, PA (US)

(73) Assignee: **Protective Industries, Inc.**, Buffalo, NY (US)

(\*\*) Term: **14 Years**

(21) Appl. No.: **29/300,397**

(22) Filed: **Mar. 21, 2008**

(51) **LOC (9) Cl.** ..... **20-02**

(52) **U.S. Cl.** ..... **D20/42; D20/43; D20/99; D12/400**

(58) **Field of Classification Search** ..... D20/10, D20/19, 37, 42, 43, 99; 40/493, 503, 506, 40/591, 643, 644, 660, 661; D3/299, 300, D3/302; D9/501; D19/75, 86, 89, 100; 116/28 R; 206/446; 220/796; 224/29.5, 227, 400, 522; 248/220.41; 406/188

See application file for complete search history.

(56) **References Cited**

**U.S. PATENT DOCUMENTS**

679,462	A *	7/1901	Kennedy et al.	40/503
2,235,870	A	3/1941	Dedmon	
2,585,602	A *	2/1952	Turner	220/796
3,156,055	A	11/1964	Hennessey et al.	
3,506,216	A *	4/1970	Delamater	406/188
4,260,090	A	4/1981	Gross	
4,334,373	A	6/1982	Bryan	
4,574,504	A	3/1986	Holmer	
D289,143	S *	4/1987	Guillaume	D9/501
4,889,268	A	12/1989	Shubeck	
4,909,178	A *	3/1990	Le Brocq	116/28 R
4,986,431	A	1/1991	McCarter	
5,102,020	A	4/1992	Walker et al.	

5,288,000	A *	2/1994	Adamson	224/522
D362,022	S *	9/1995	Larson	D19/89
D372,499	S	8/1996	Carlson et al.	
5,645,203	A	7/1997	Tappenden	
D386,536	S	11/1997	Borgen	
6,298,590	B1	10/2001	Levinson	
6,644,606	B1 *	11/2003	Seidel	248/220.41
D540,394	S *	4/2007	Simasko	D20/43
D543,591	S	5/2007	Simasko	
D551,862	S *	10/2007	Gerry	D3/302
2002/0040916	A1	4/2002	Hibbs	
2004/0079015	A1	4/2004	Tuttle	
2007/0107287	A1	5/2007	Huang	

**OTHER PUBLICATIONS**

Cartube Information Tube, [www.cartube.com](http://www.cartube.com).

\* cited by examiner

*Primary Examiner*—Janice E Seeger

*Assistant Examiner*—Mary Ann Calabrese

(57) **CLAIM**

The ornamental design for an information tube, as shown and described.

**DESCRIPTION**

FIG. 1 is a perspective view of an information tube showing my new design;

FIG. 2 is a front view of the information tube;

FIG. 3 is a rear view of the information tube;

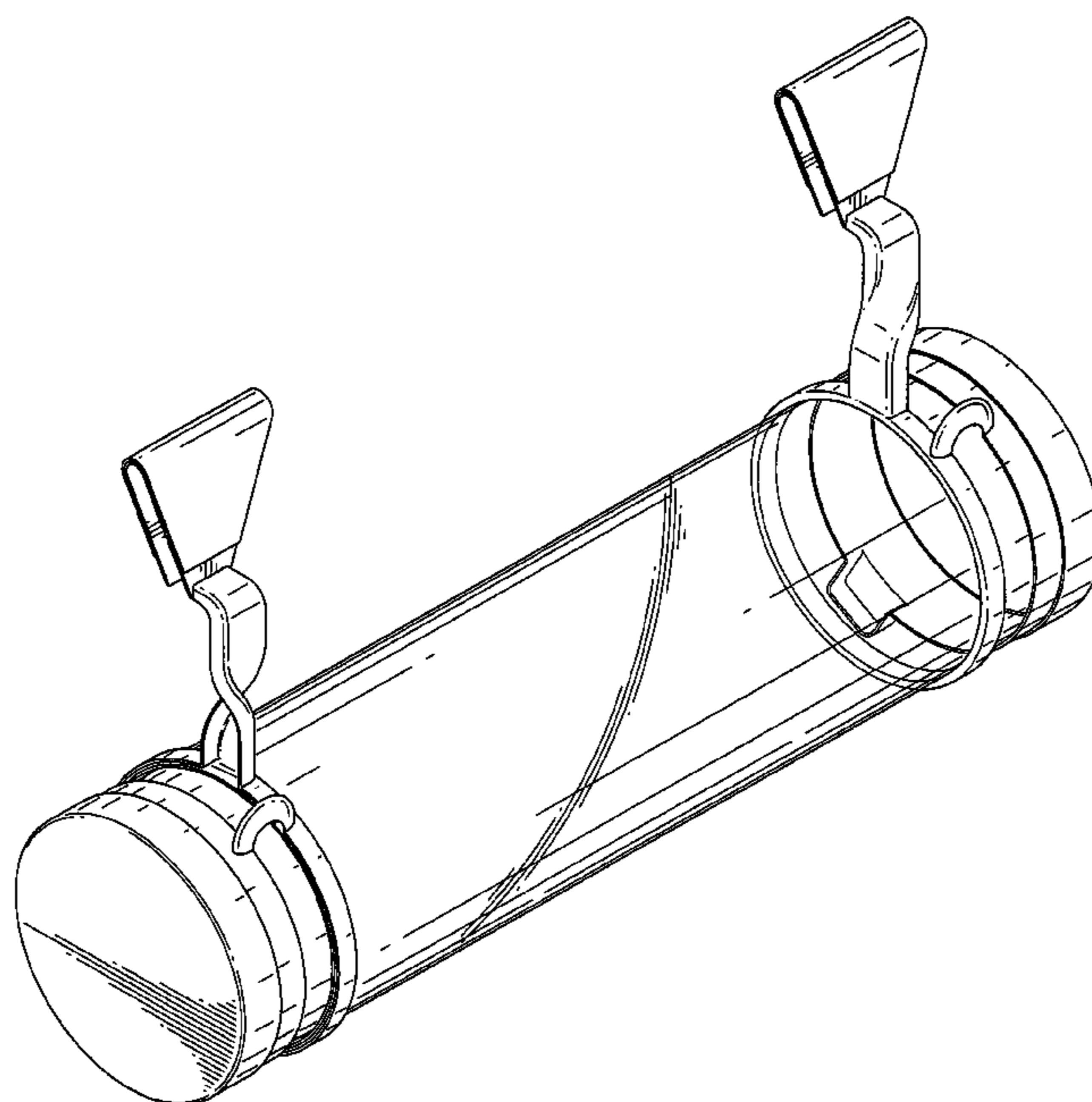
FIG. 4 is a top view of the information tube;

FIG. 5 is a bottom view of the information tube;

FIG. 6 is a side view of the information tube; and,

FIG. 7 is another side view of the information tube.

**1 Claim, 6 Drawing Sheets**



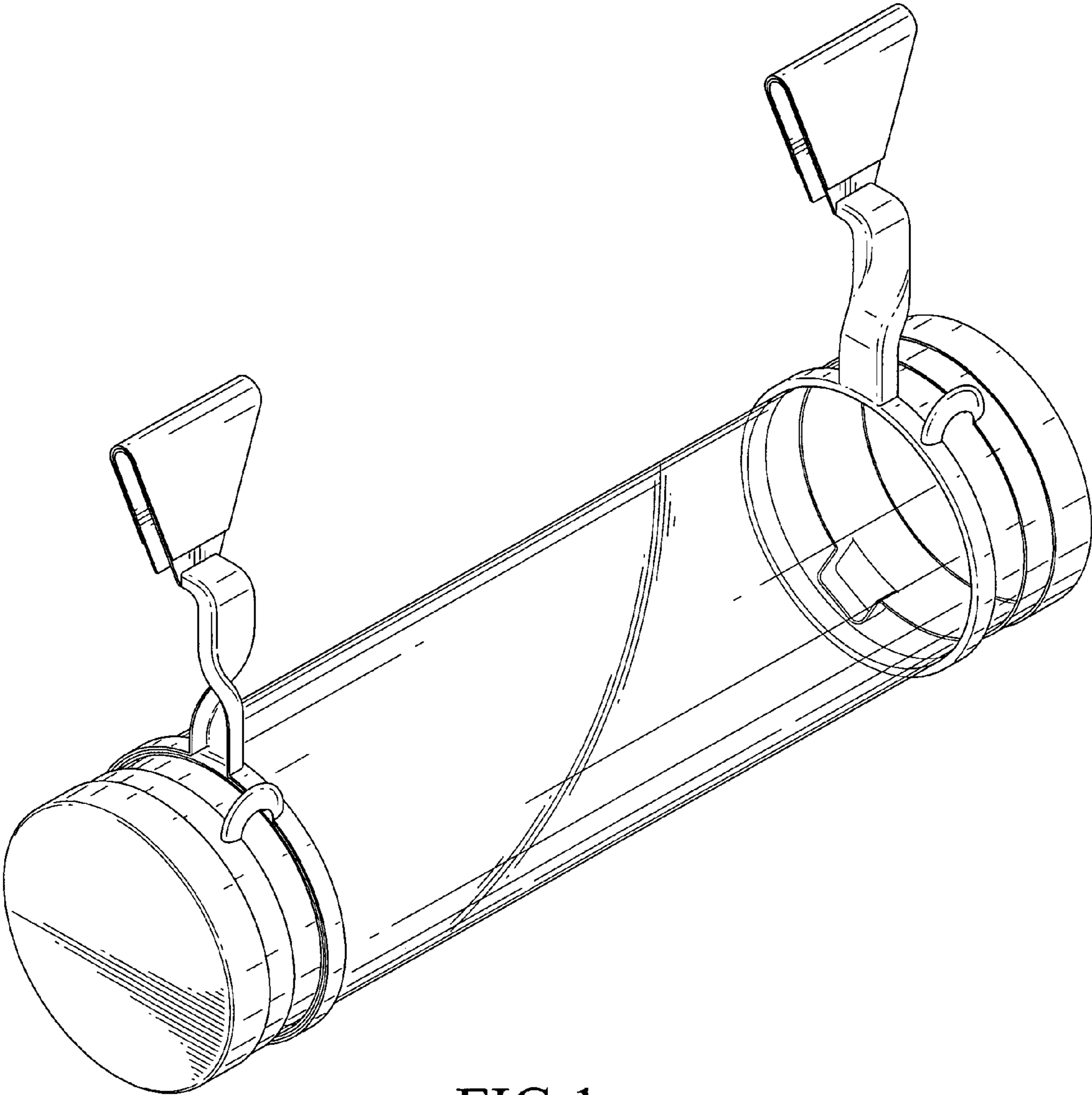


FIG. 1

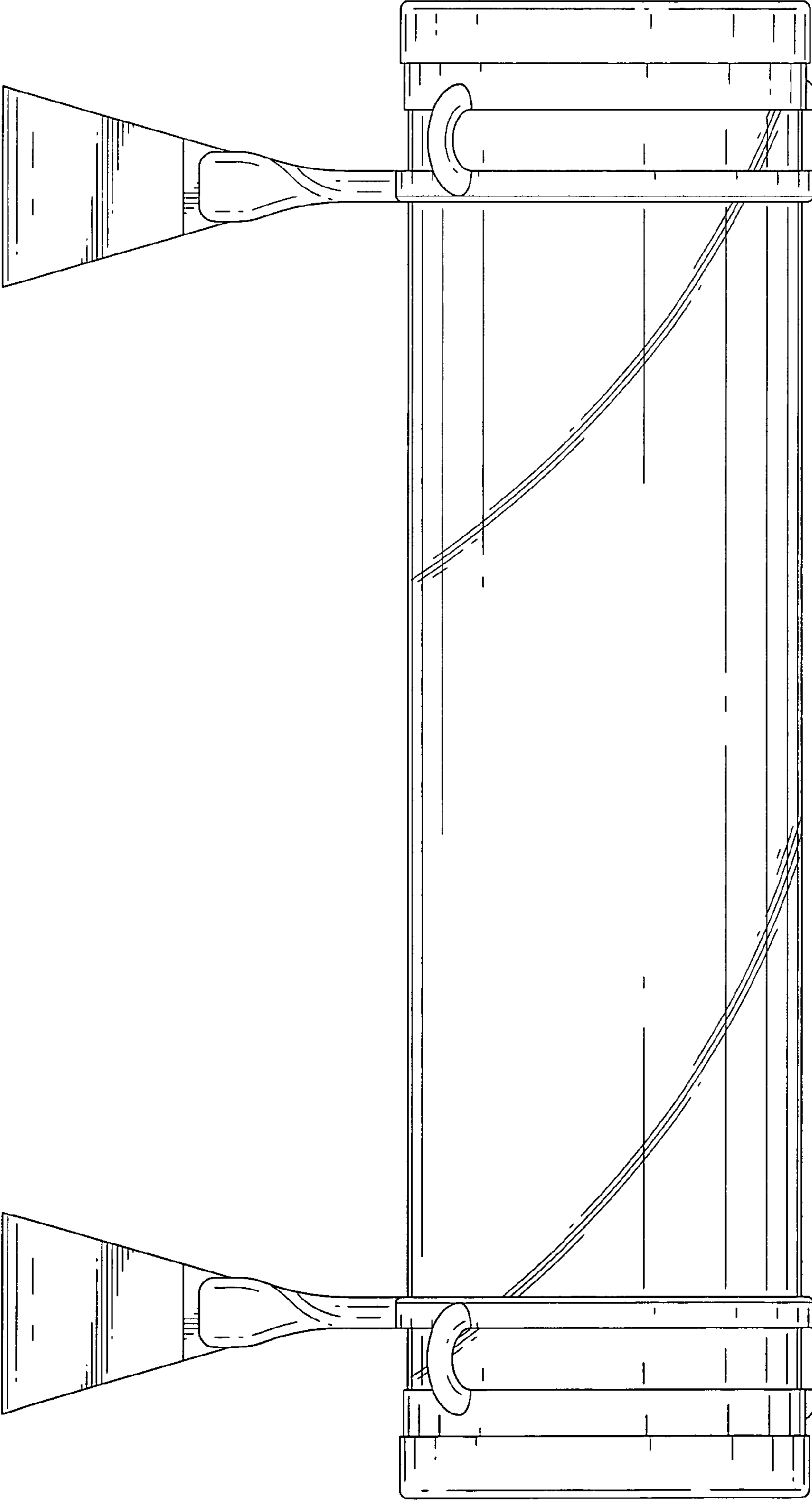


FIG.2

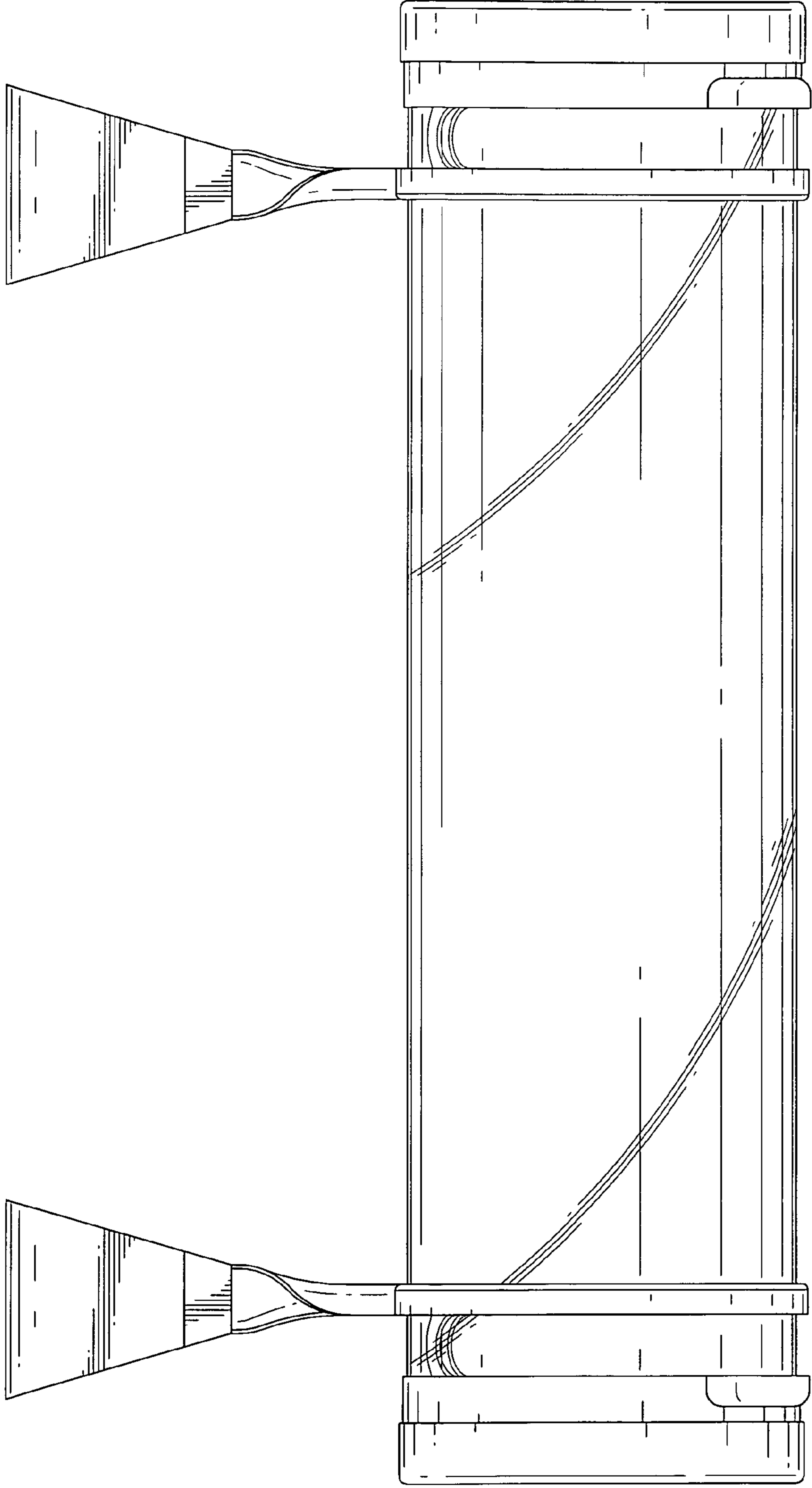


FIG.3

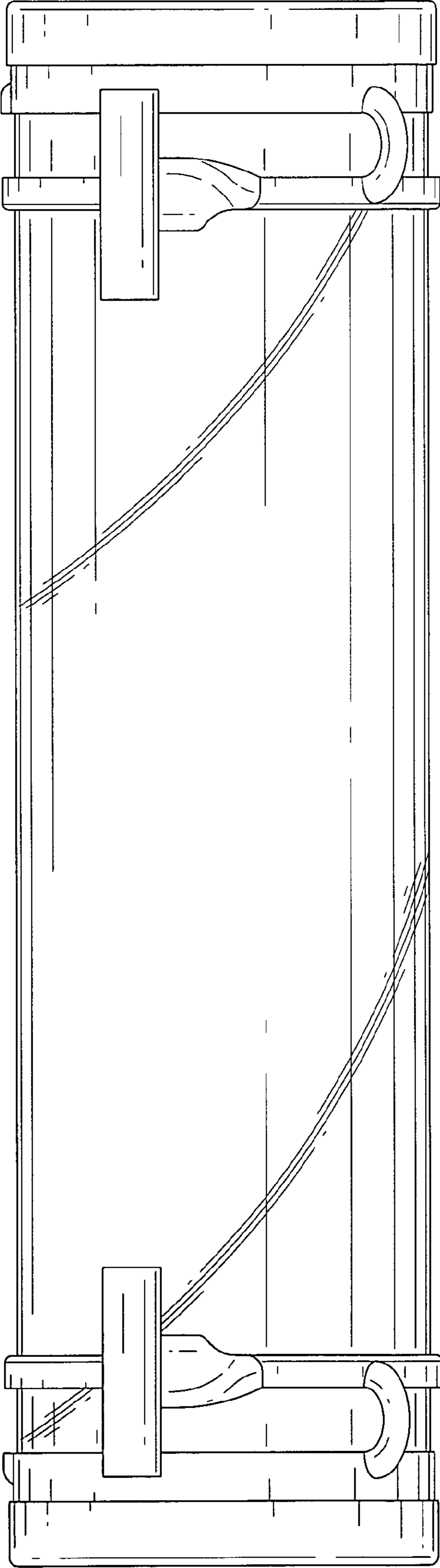


FIG.4



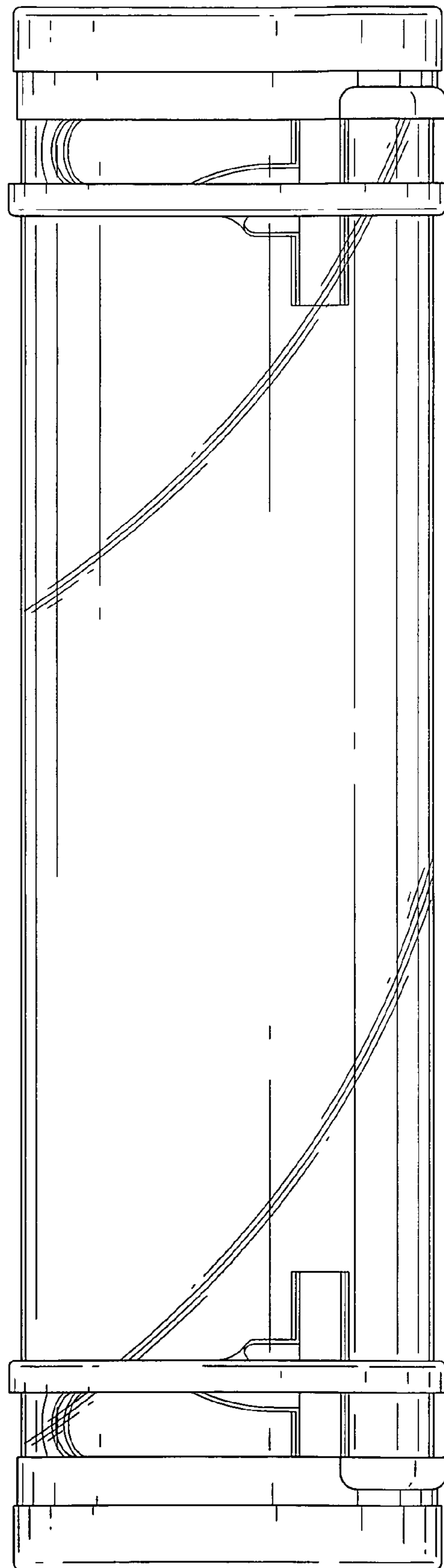


FIG.5

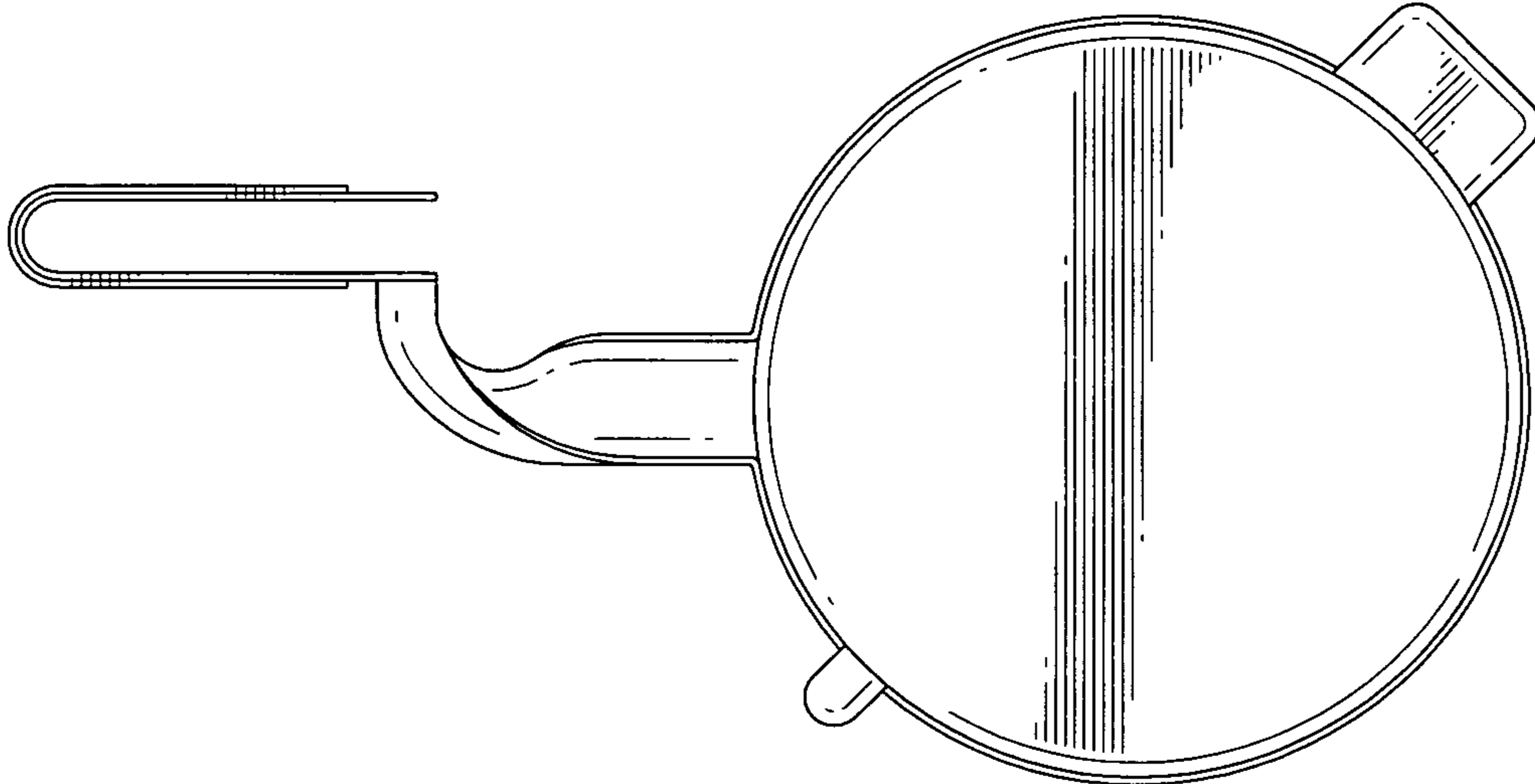


FIG. 6

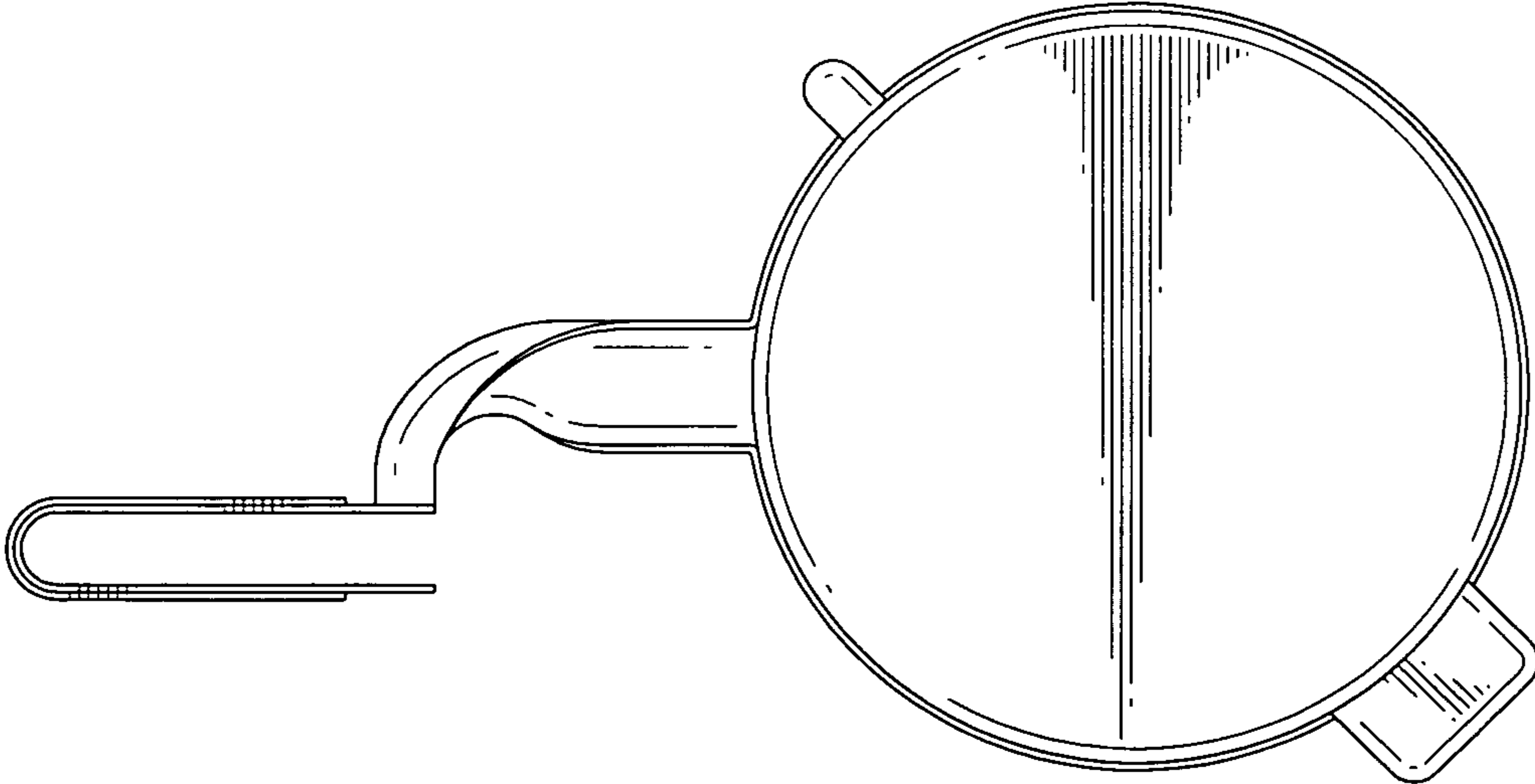


FIG. 7