



US00D587759S

(12) **United States Design Patent**  
**Fabiano**

(10) **Patent No.:** **US D587,759 S**  
(45) **Date of Patent:** **\*\* Mar. 3, 2009**

(54) **FLAT ITEM SEPARATOR**

(76) Inventor: **Fedele Fabiano**, 15 Fairway Trail,  
Sparta, NJ (US) 07871

(\*\*) Term: **14 Years**

(21) Appl. No.: **29/285,219**

(22) Filed: **Mar. 23, 2007**

(51) **LOC (9) Cl.** ..... **19-02**

(52) **U.S. Cl.** ..... **D19/86**

(58) **Field of Classification Search** ..... D3/304;  
D6/449; D19/75-78, 80, 82, 86, 90-92;  
206/215, 425; 211/10, 11, 45, 50, 126.1,  
211/126.2, 129.1, 133.6; 24/2

See application file for complete search history.

(56) **References Cited**

**U.S. PATENT DOCUMENTS**

1,439,138	A *	12/1922	White	.....	24/67.9
D159,884	S *	8/1950	Baldanza	.....	D9/424
D176,827	S *	1/1956	Sherman	.....	D19/22
D213,236	S *	1/1969	Zacharia	.....	D19/86
D245,170	S *	7/1977	Evenson	.....	D19/92
4,572,546	A *	2/1986	Morrison	.....	281/42
D299,475	S *	1/1989	Munnik	.....	D19/78
D302,177	S *	7/1989	Evenson	.....	D19/92
D317,983	S *	7/1991	Gilbreath	.....	D3/247
D328,102	S *	7/1992	Buzak	.....	D19/92
D345,761	S *	4/1994	Bolds	.....	D19/78
D372,358	S *	8/1996	Mathison	.....	D3/247
D378,018	S *	2/1997	Ouellette	.....	D3/215
D425,126	S *	5/2000	Holguin et al.	.....	D19/65

6,651,827	B1 *	11/2003	Eberwein et al.	.....	211/50
D496,404	S *	9/2004	Hurwitz	.....	D19/92
D561,469	S *	2/2008	Jensen et al.	.....	D3/247

\* cited by examiner

*Primary Examiner*—Elizabeth A Albert  
(74) *Attorney, Agent, or Firm*—Lawrence G. Fridman

(57) **CLAIM**

The ornamental design for a flat item separator, as shown and described.

**DESCRIPTION**

FIG. 1 is a perspective view of the flat item separator showing my new design;

FIG. 2 is a top plan view thereof;

FIG. 3 is a bottom plan view thereof;

FIG. 4 is a front elevational view thereof;

FIG. 5 is a rear elevational view thereof;

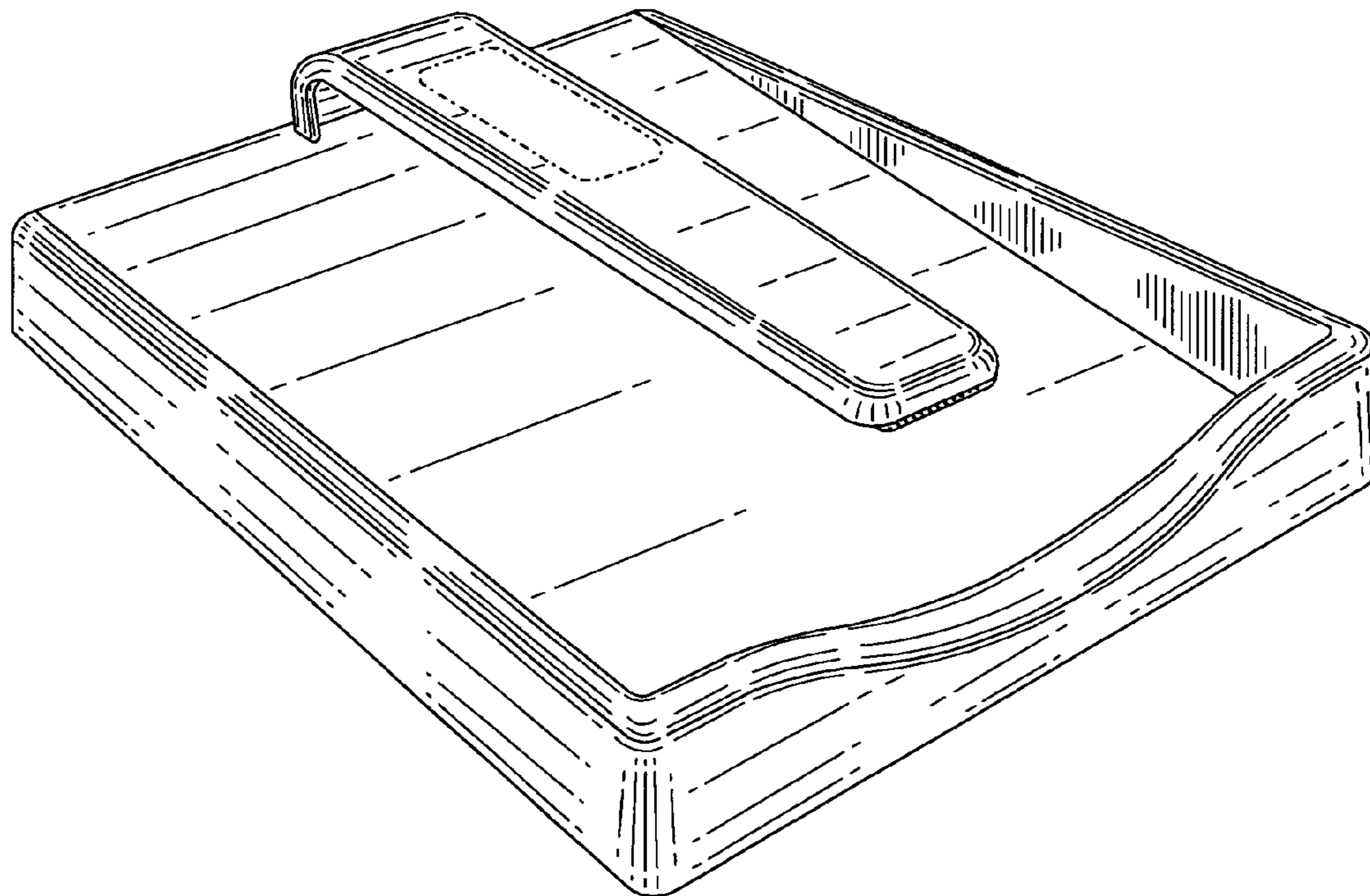
FIG. 6 is a one side elevational view thereof (the other side view is a mirror image of FIG. 6);

FIG. 7 is another perspective view of the flat item separator; and,

FIG. 8 is a further perspective view of a flat item separator.

The broken lines showing a panel on the separator arm, paper, a hand, and the bottom surface in FIGS. 1, 2, 3, 7 and 8 are included for the purpose of illustrating environment and form no part of the claimed design.

**1 Claim, 5 Drawing Sheets**



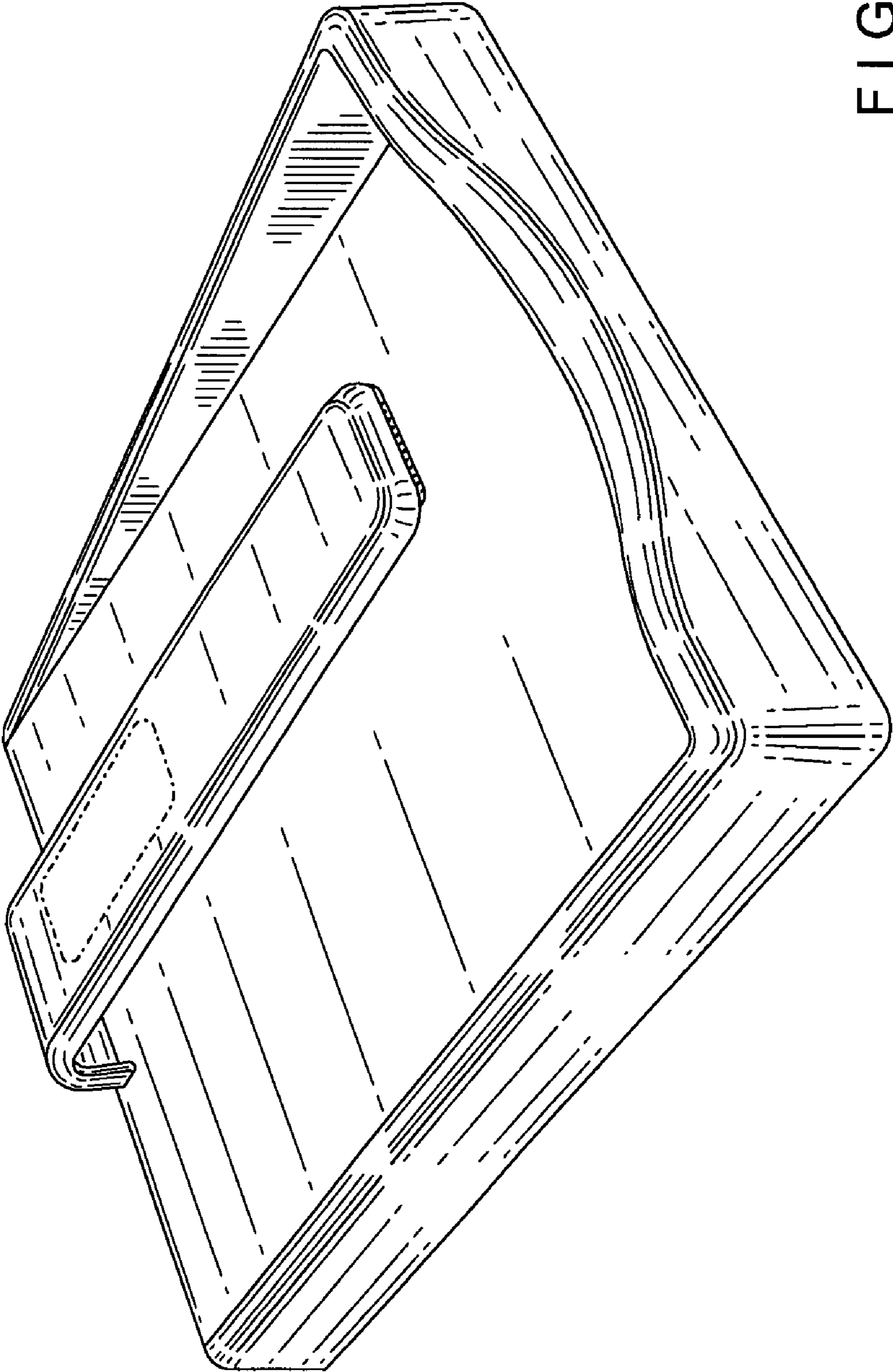


FIG. 1

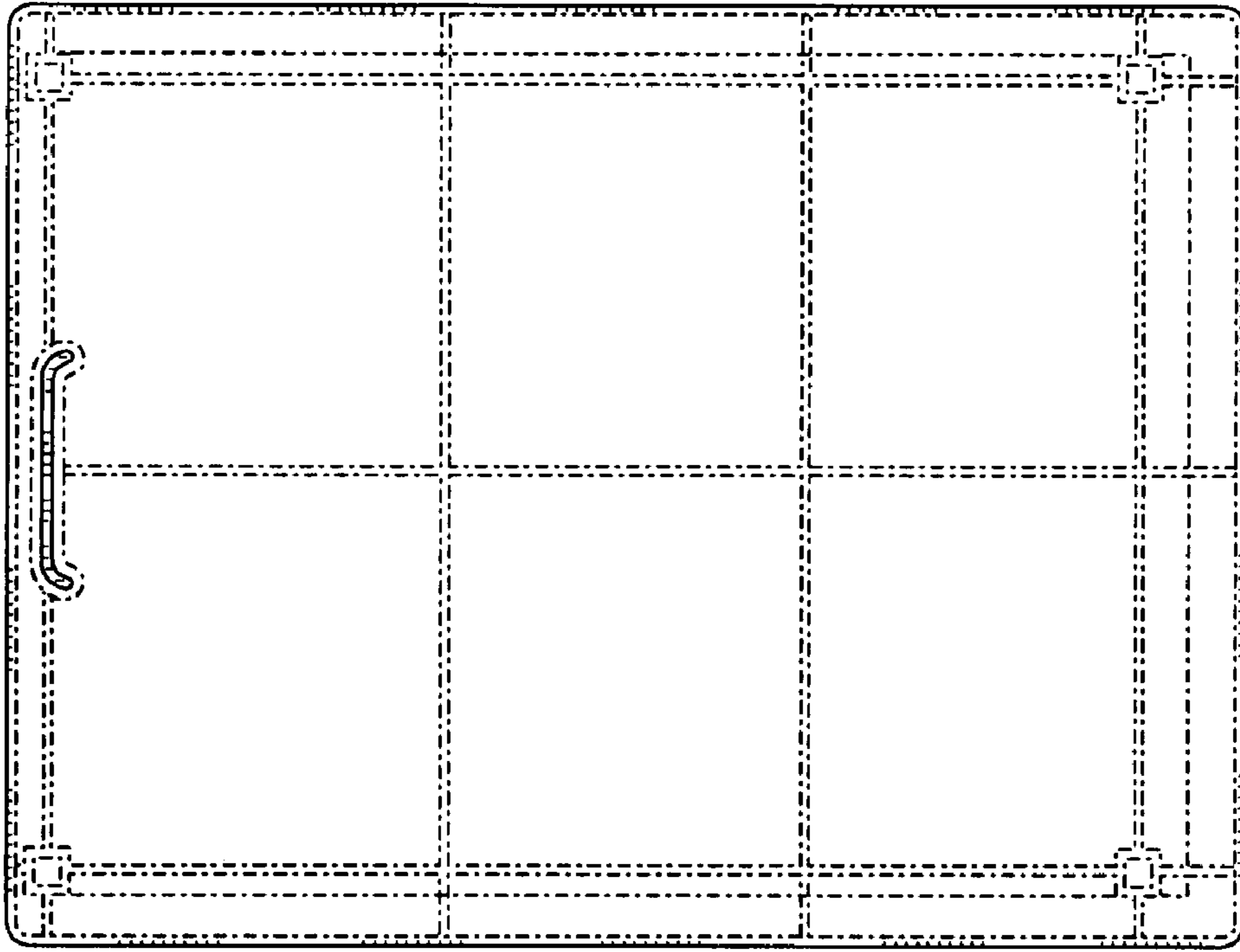


FIG. 3

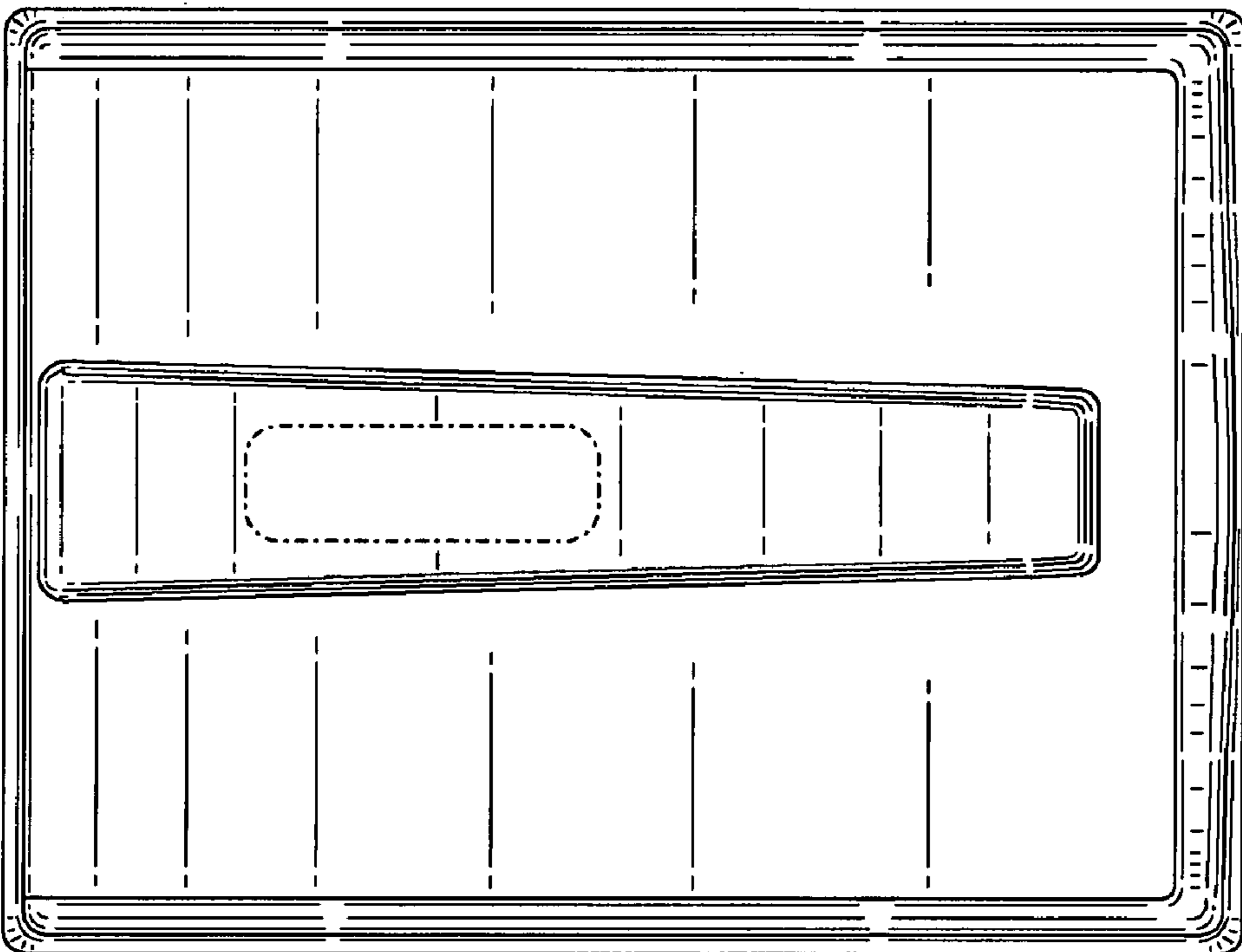


FIG. 2

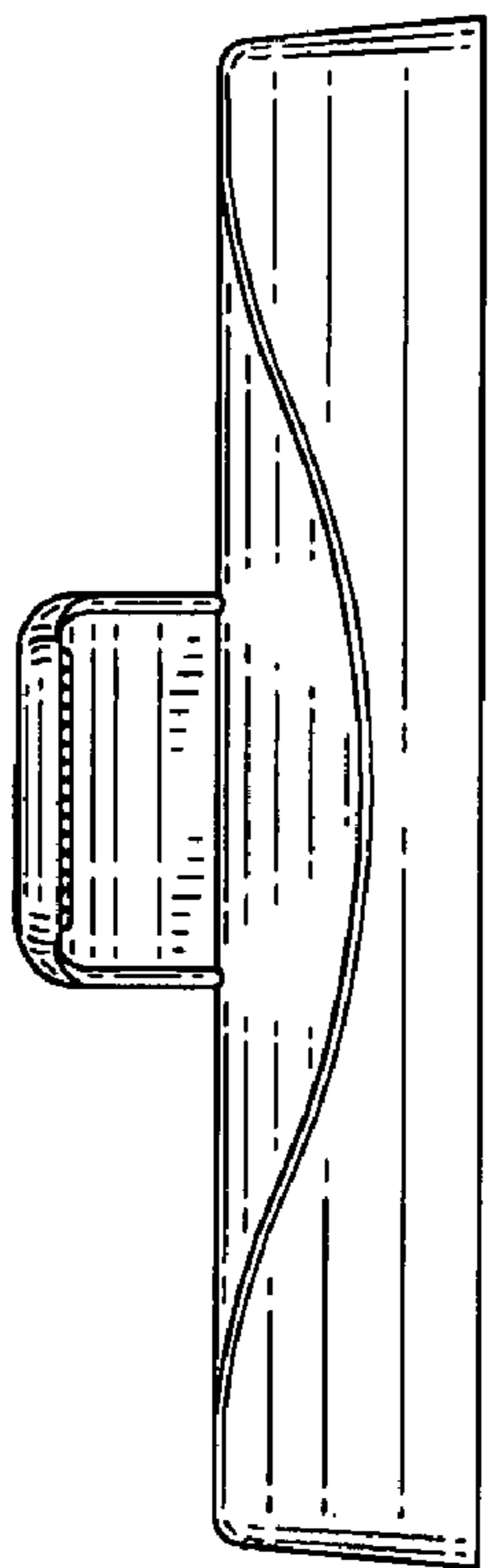


FIG. 4

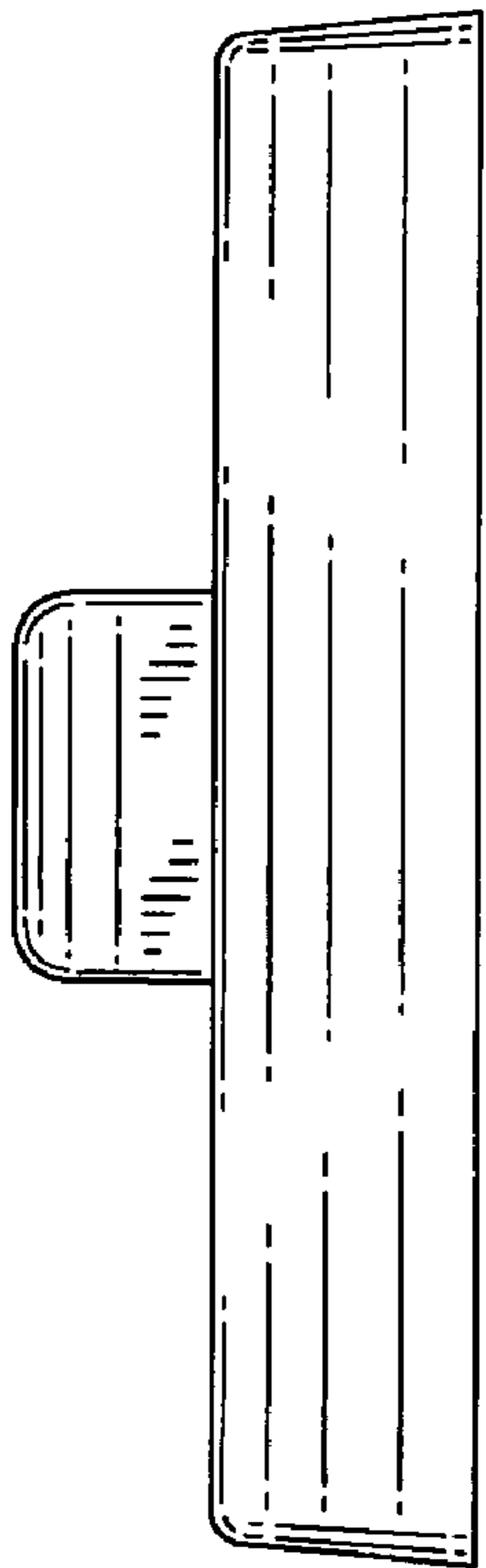


FIG. 5

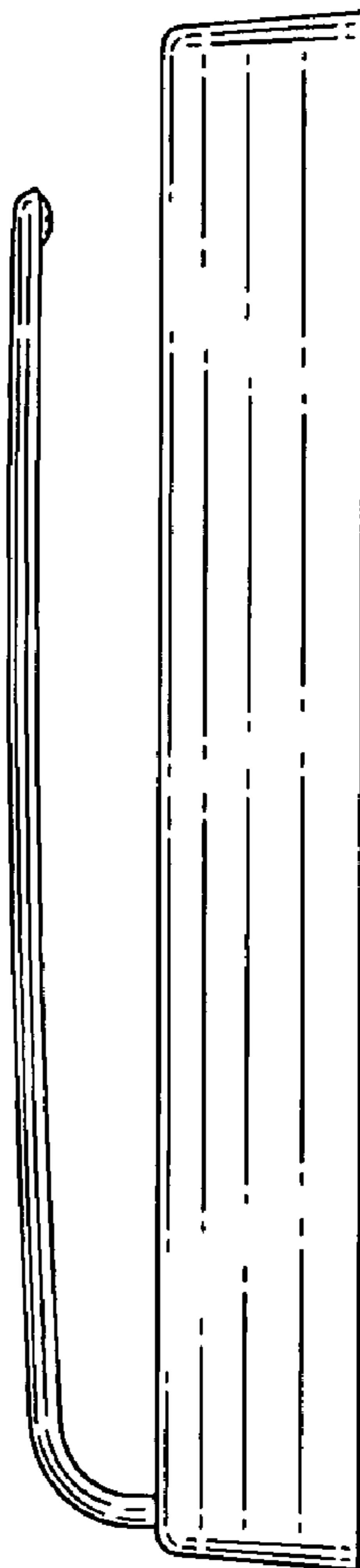


FIG. 6



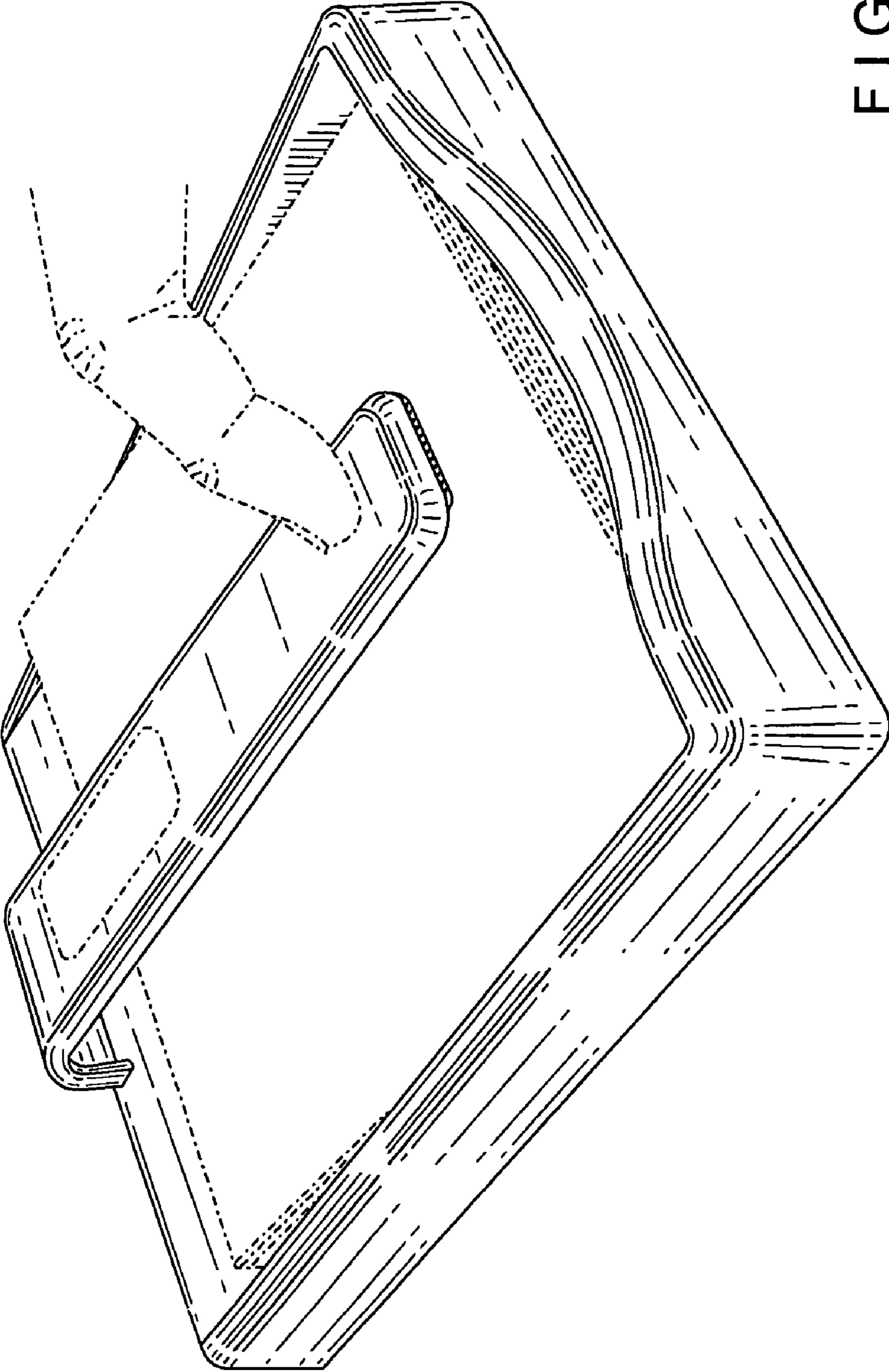


FIG. 7

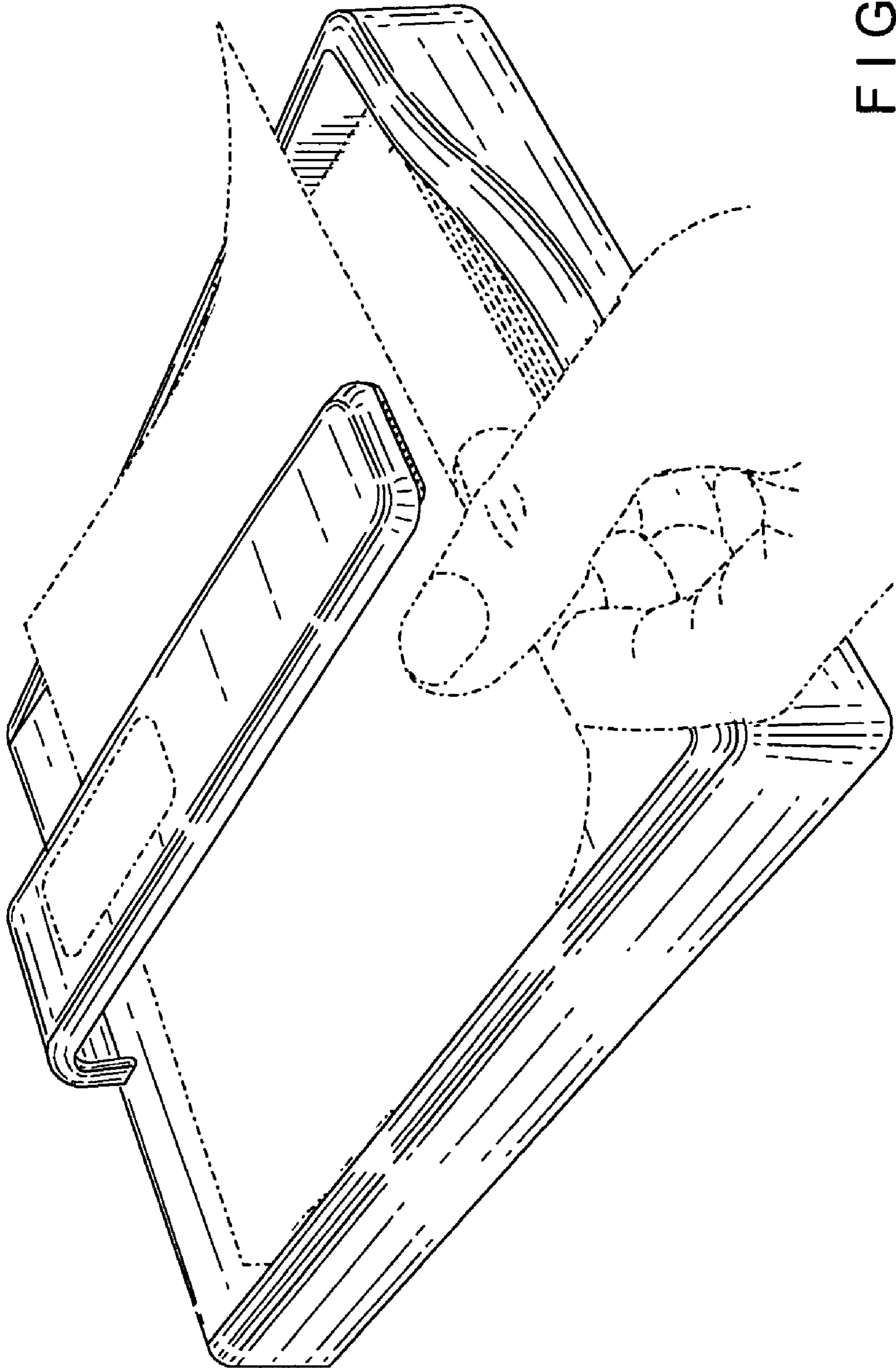


FIG. 8