



US00D587758S

(12) **United States Design Patent**
Yamashita et al.

(10) **Patent No.:** **US D587,758 S**
(45) **Date of Patent:** **** Mar. 3, 2009**

(54) **CRAFT PUNCH**

(75) Inventors: **Ayano Yamashita**, Katsushika-ku (JP);
Naoki Ozawa, Shinagawa-ku (JP);
Hiroyuki Urabe, Katsushika-ku (JP);
Emiko Osawa, Katsushika-ku (JP)

(73) Assignee: **Carl Manufacturing Co., Ltd.**, Tokyo (JP)

(**) Term: **14 Years**

(21) Appl. No.: **29/290,975**

(22) Filed: **Feb. 5, 2008**

(30) **Foreign Application Priority Data**

Aug. 6, 2007 (JP) 2007-021470

(51) **LOC (9) Cl.** **19-02**

(52) **U.S. Cl.** **D19/72**

(58) **Field of Classification Search** D8/98;
D19/72; 83/167, 582, 588, 613, 618, 620,
83/633, 684, 686, 821

See application file for complete search history.

(56) **References Cited**

U.S. PATENT DOCUMENTS

6,742,431 B1 * 6/2004 Oh 83/687
6,752,058 B2 * 6/2004 Oh 83/620

D531,674 S * 11/2006 Oh D19/72
7,201,101 B2 * 4/2007 Oh 101/3.1
2008/0121083 A1 * 5/2008 Kim et al. 83/821

* cited by examiner

Primary Examiner—Elizabeth A Albert

(74) *Attorney, Agent, or Firm*—Oliff & Berridge PLC

(57) **CLAIM**

The ornamental design for a craft punch, as shown and described.

DESCRIPTION

FIG. 1 is a front view of a craft punch;

FIG. 2 is a rear view thereof;

FIG. 3 is a right-side view thereof;

FIG. 4 is a left-side view thereof;

FIG. 5 is a top view thereof;

FIG. 6 is a bottom view thereof;

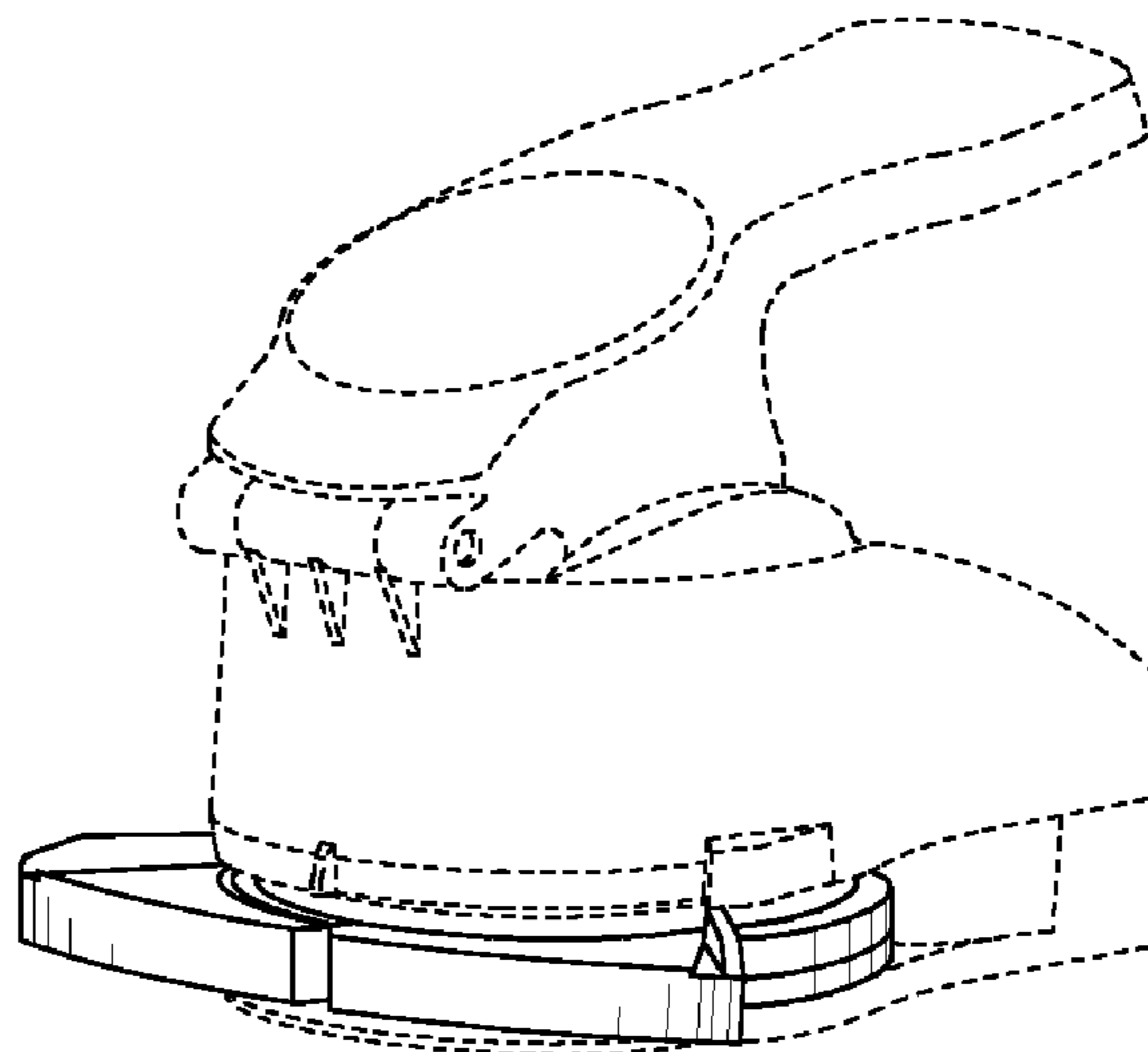
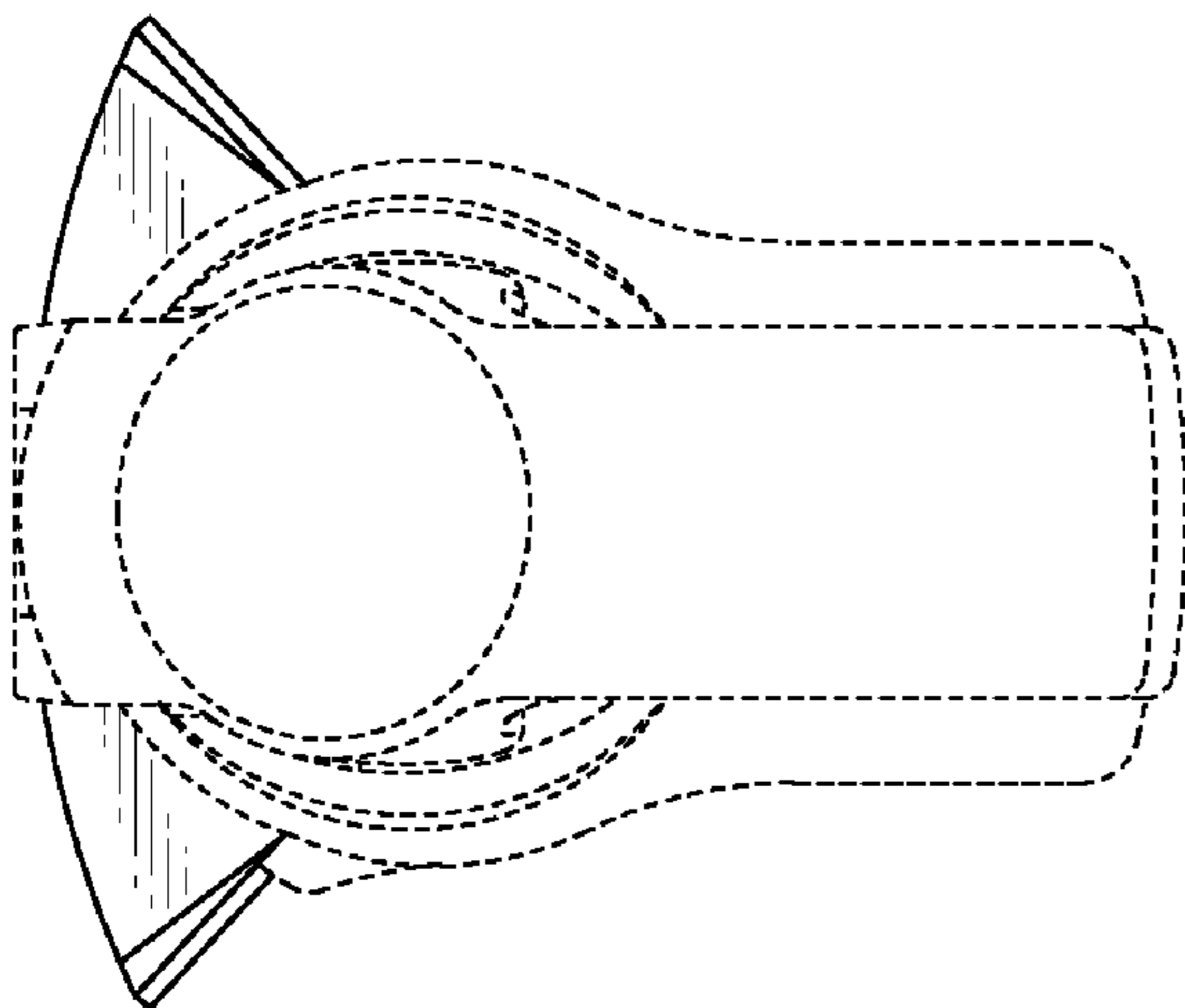
FIG. 7 is a front perspective view thereof;

FIG. 8 is a rear perspective view thereof; and,

FIG. 9 is another front perspective view thereof showing the positioning members rotated in an alternative position.

The broken lines depict environmental subject matter only and form no part of the claimed design.

1 Claim, 5 Drawing Sheets



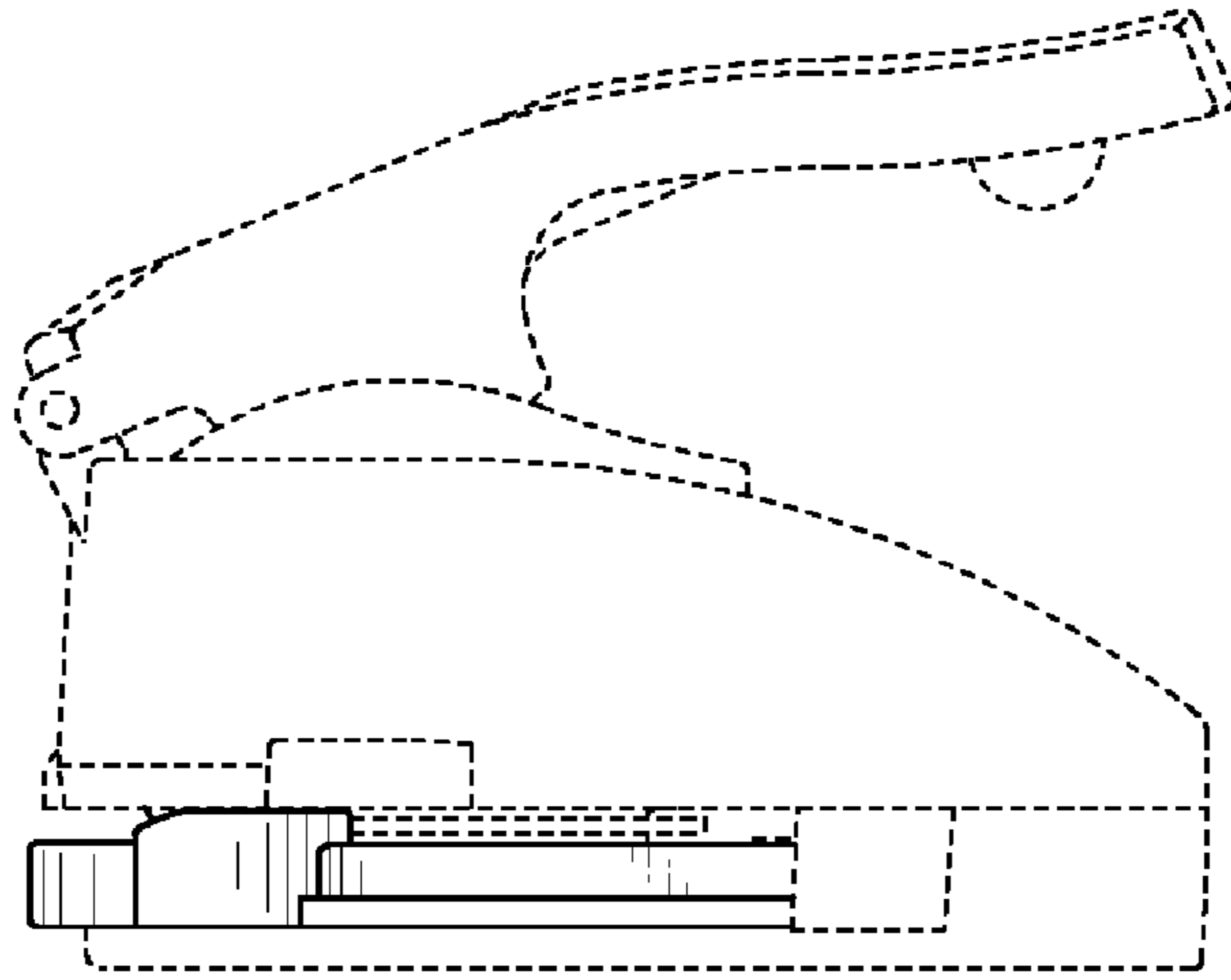


FIG. 1

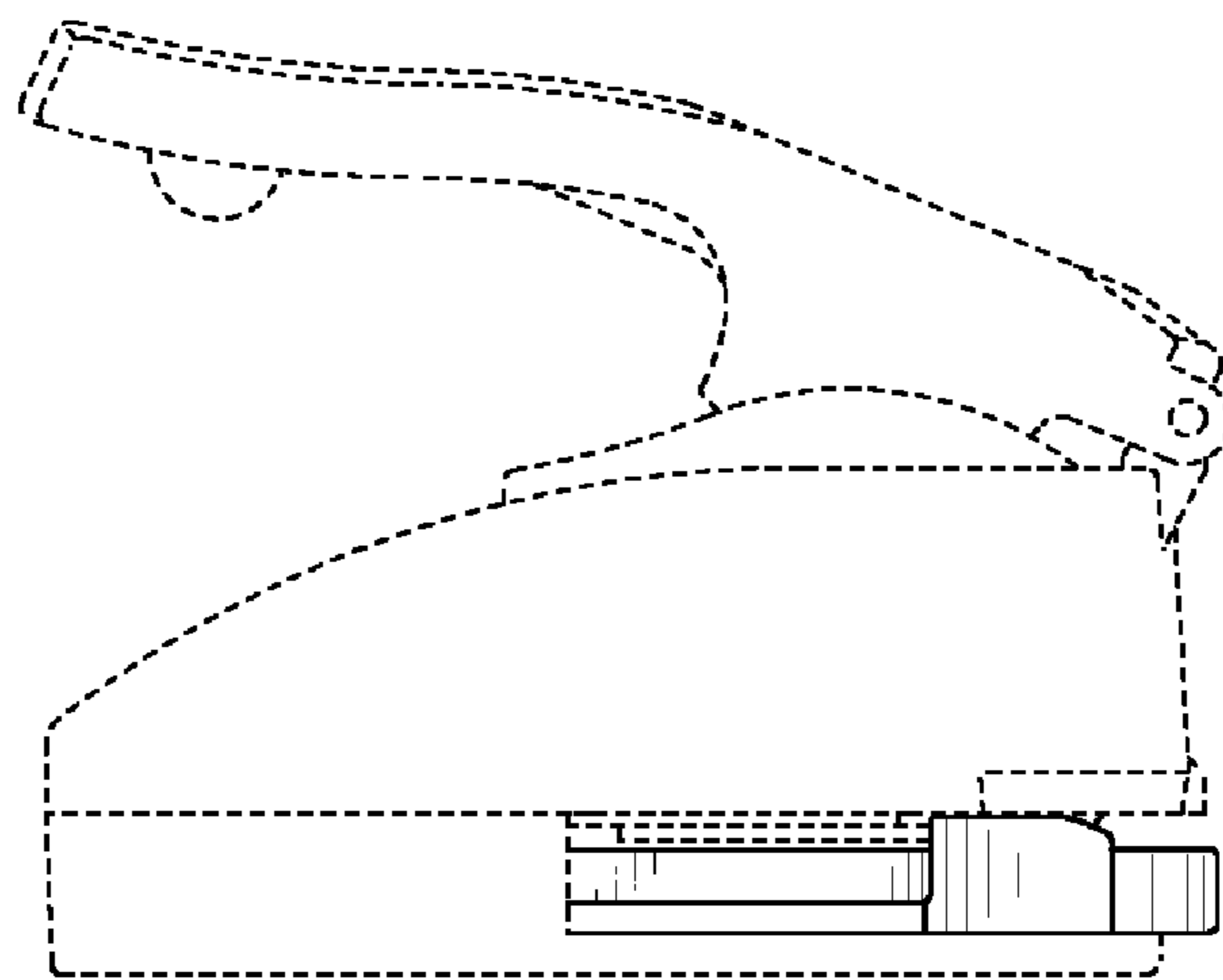


FIG. 2

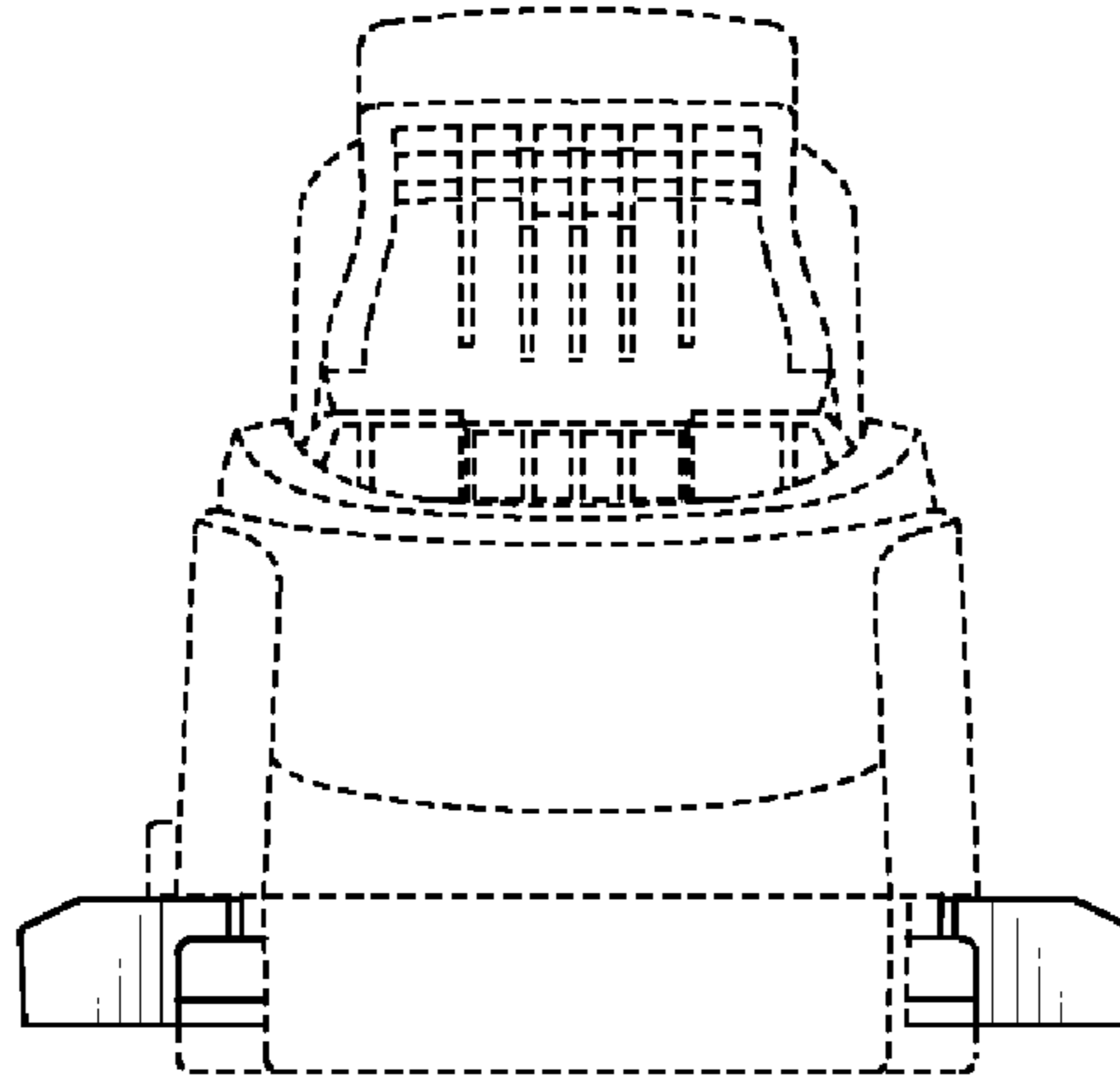


FIG. 3

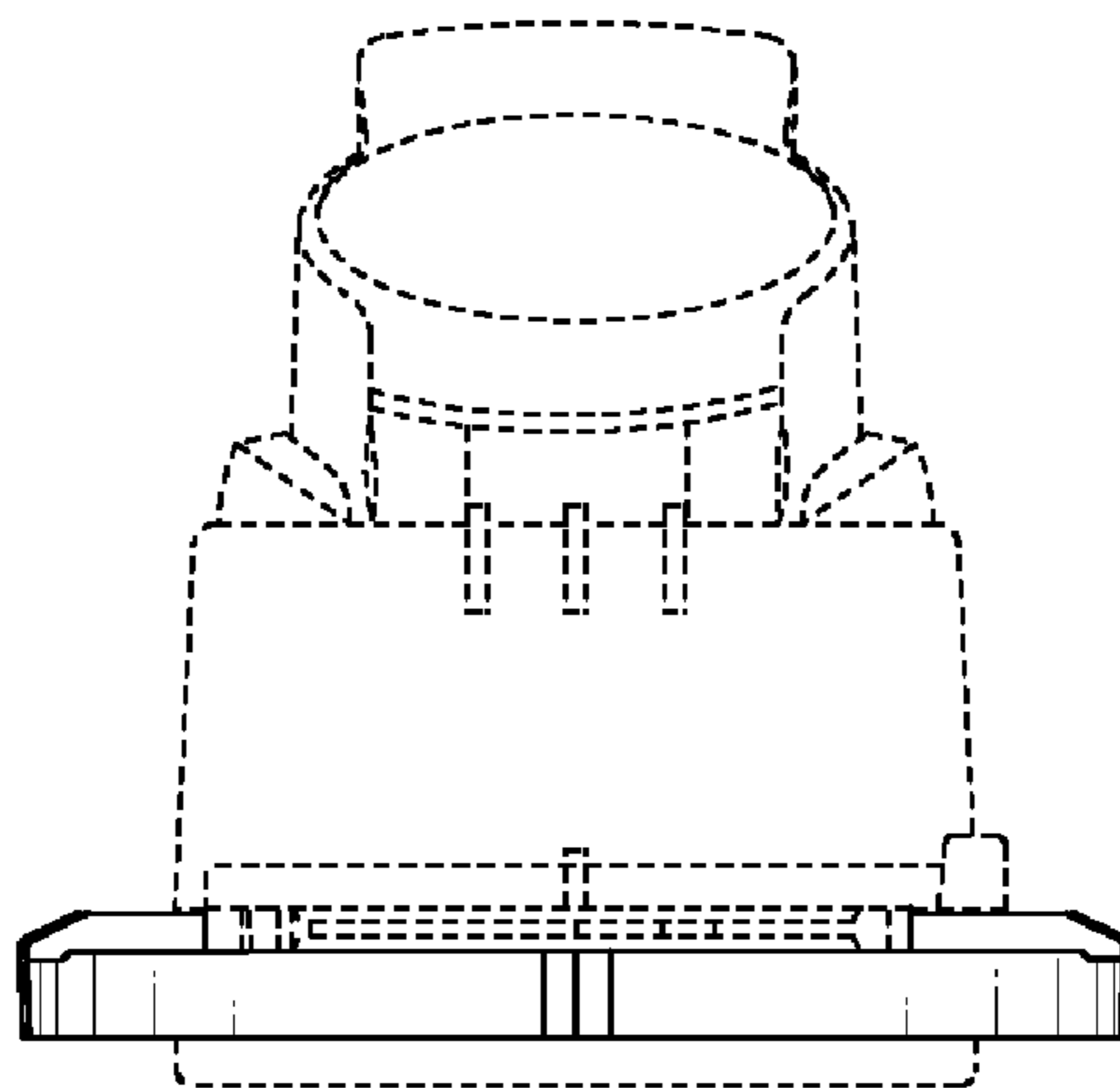


FIG. 4

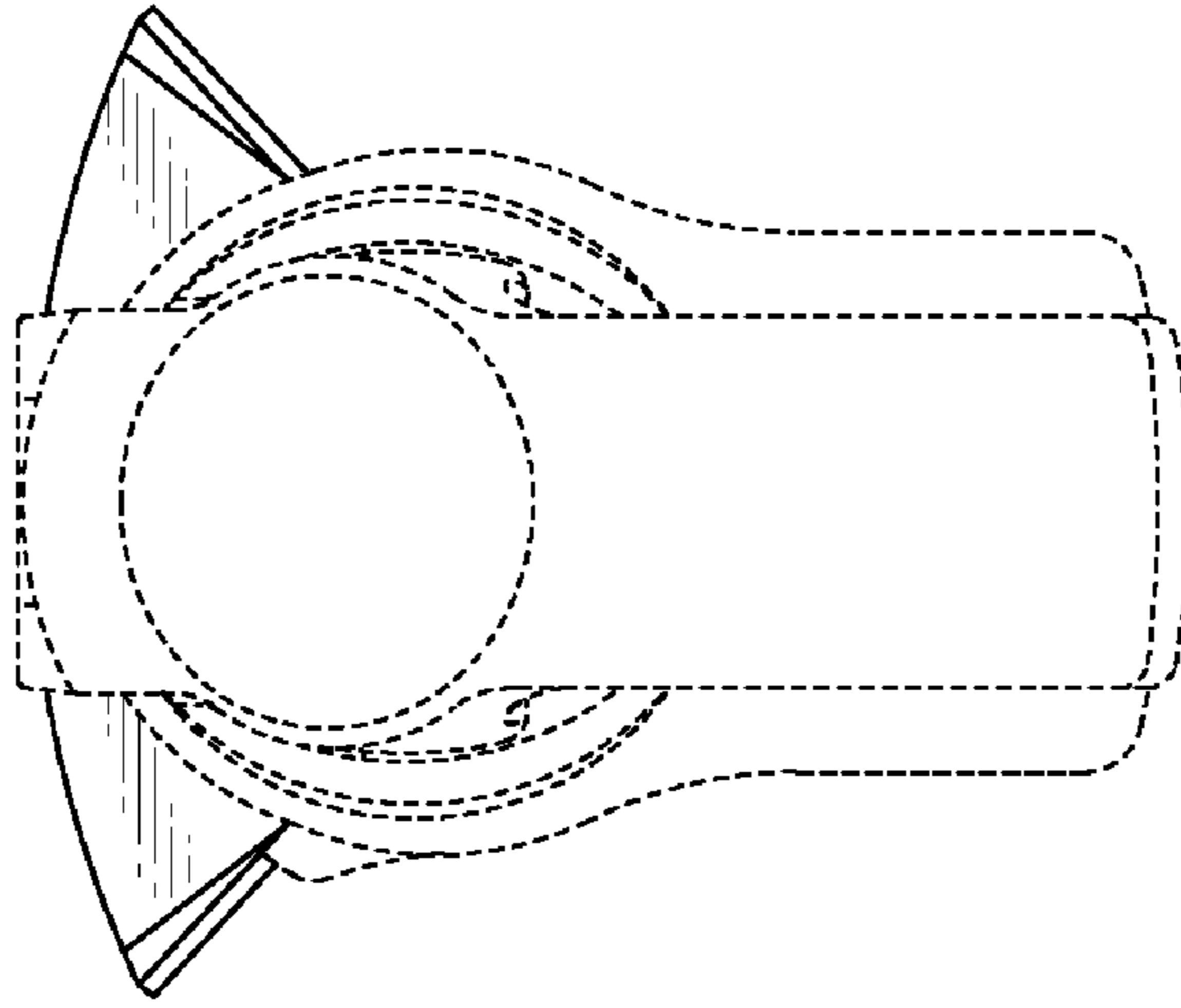


FIG. 5

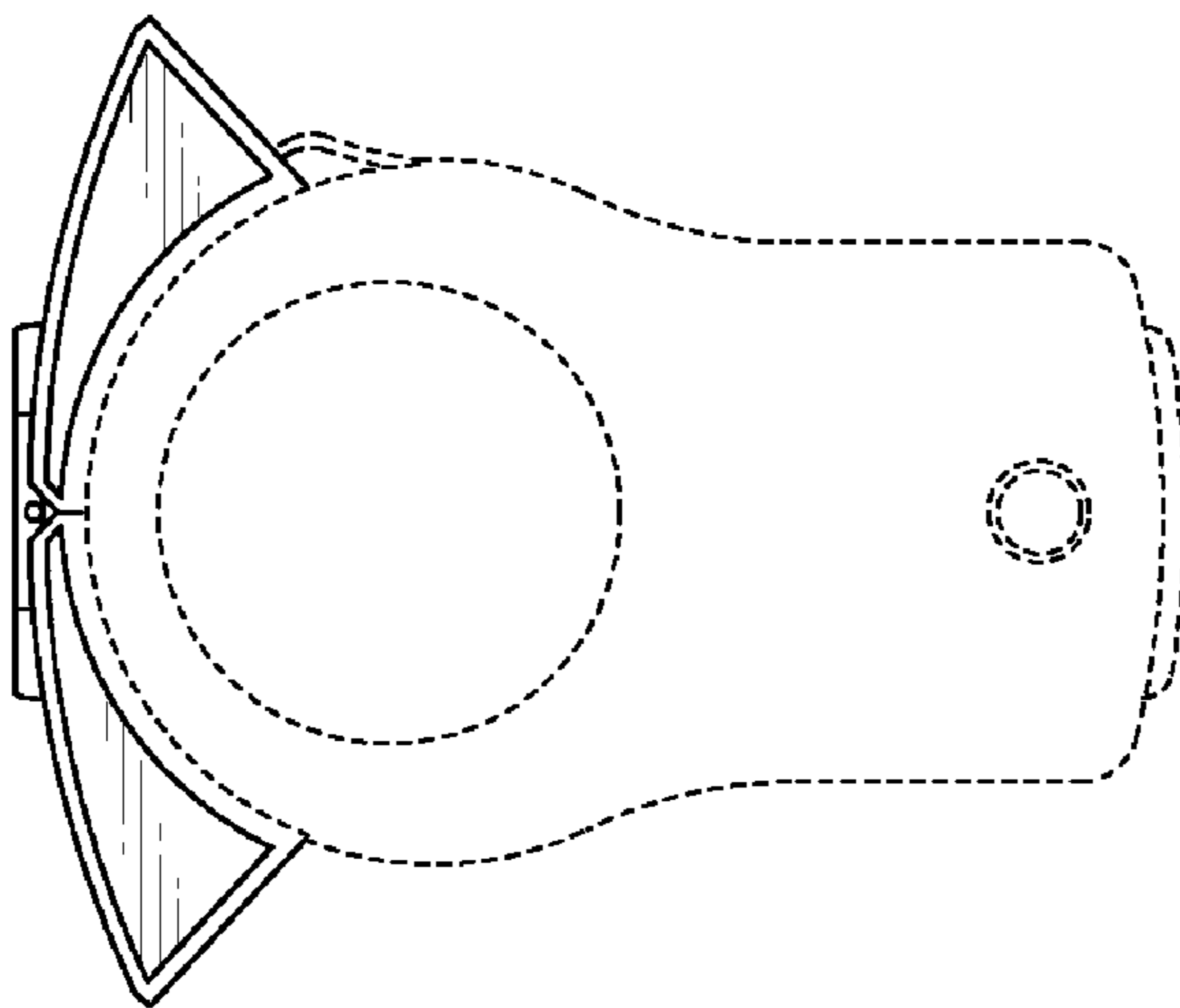


FIG. 6

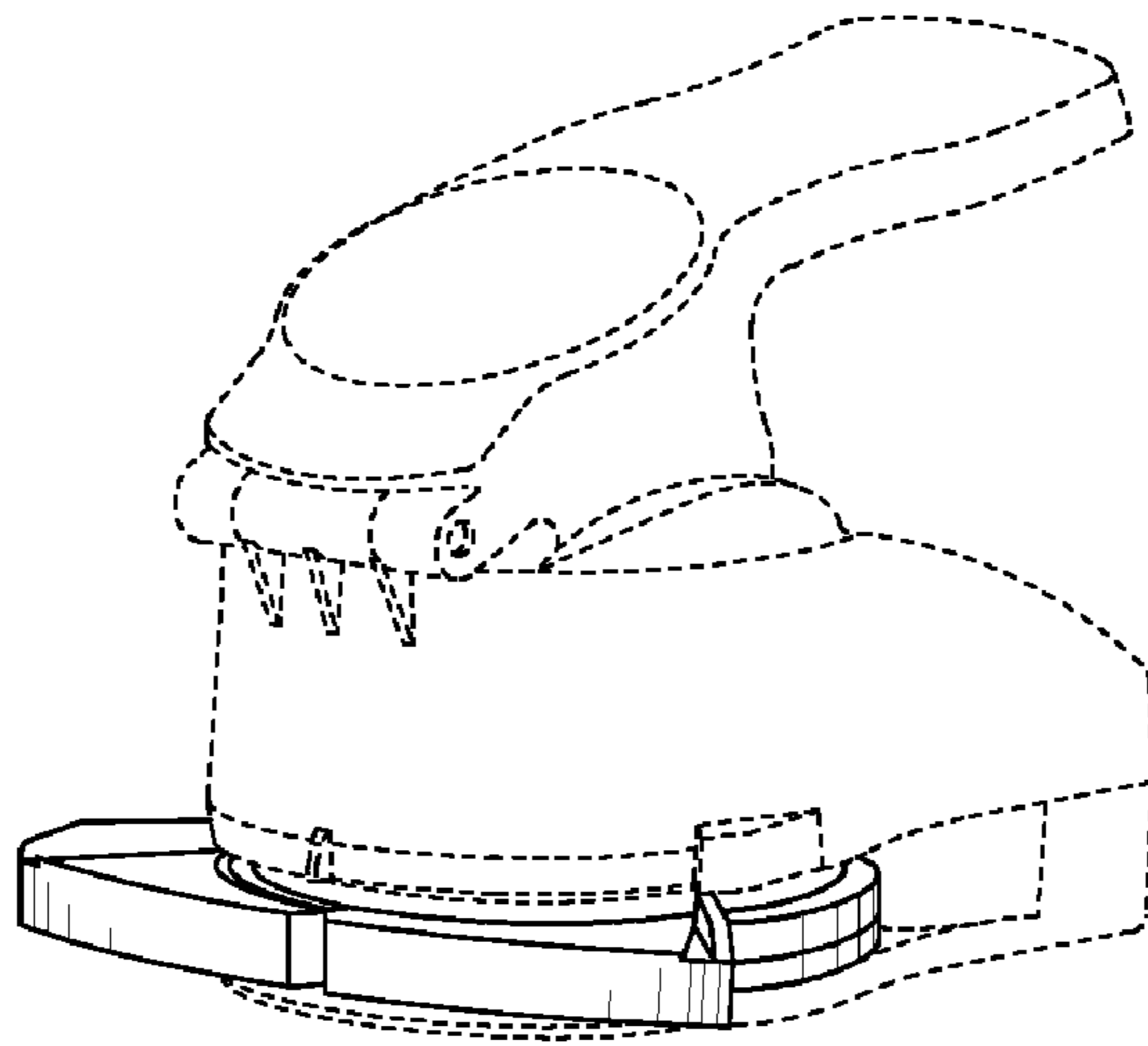


FIG. 7

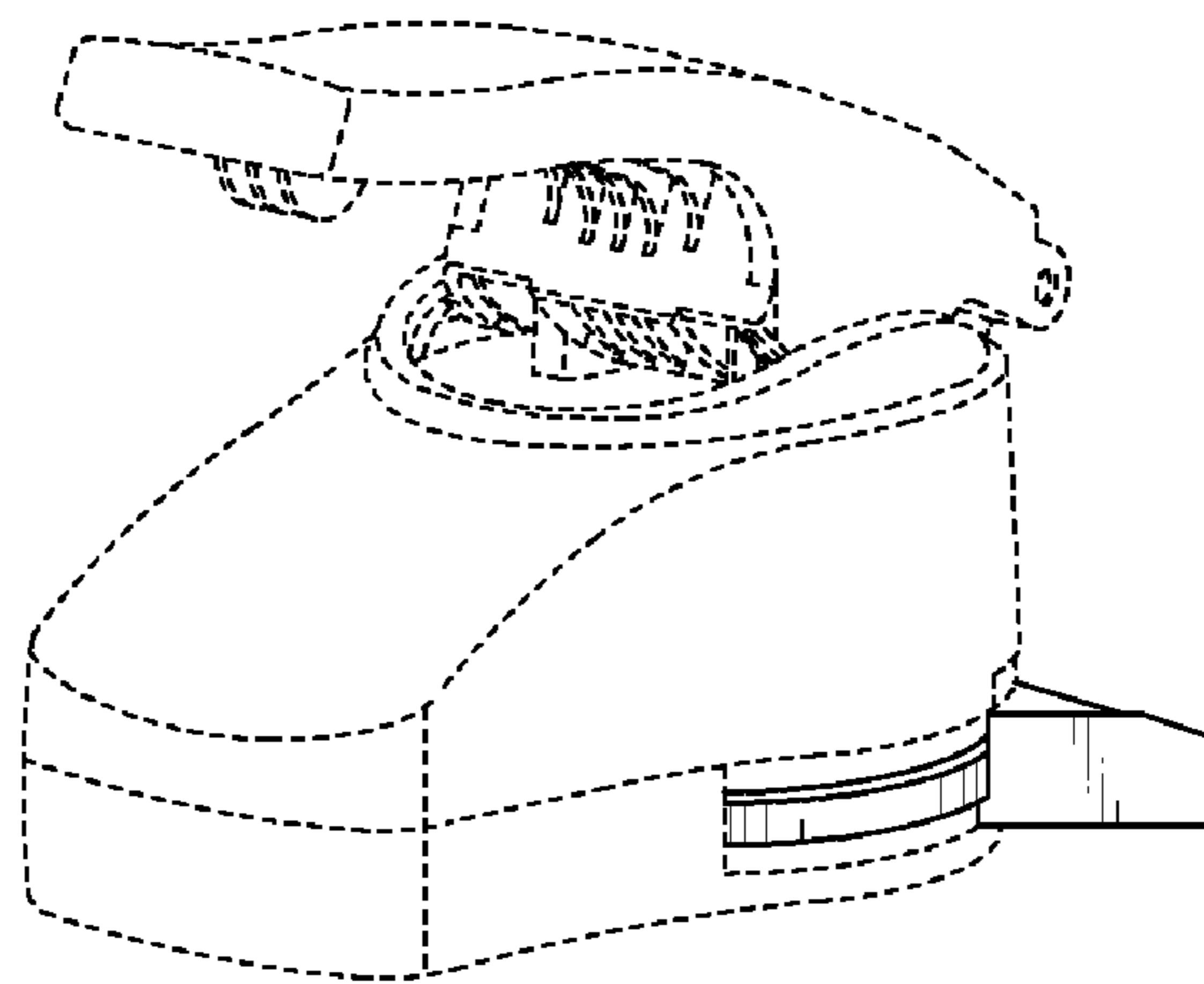


FIG. 8

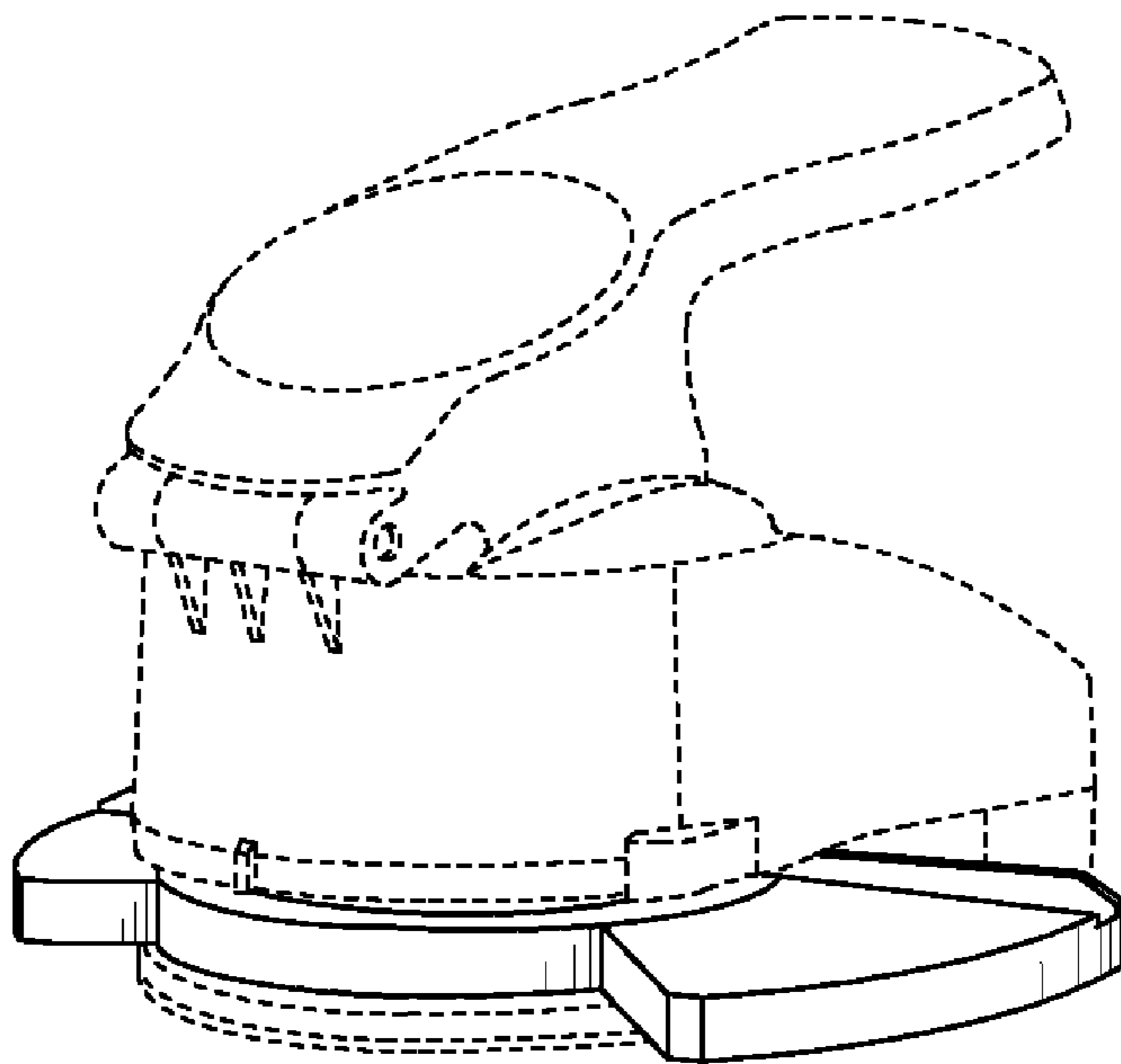


FIG. 9