



US00D587755S

(12) **United States Design Patent**  
**Cetera**

(10) **Patent No.:** **US D587,755 S**  
(45) **Date of Patent:** **\*\* Mar. 3, 2009**

(54) **PEN CLIP**

(75) Inventor: **Carl Cetera**, Tenafly, NJ (US)

(73) Assignee: **Cotapaxi Custom Design and Manufacturing, LLC**, Carlstadt, NJ (US)

(\*\*) Term: **14 Years**

(21) Appl. No.: **29/299,367**

(22) Filed: **Dec. 21, 2007**

**Related U.S. Application Data**

(63) Continuation-in-part of application No. 29/296,335, filed on Oct. 18, 2007.

(51) **LOC (9) Cl.** ..... **19-06**

(52) **U.S. Cl.** ..... **D19/57**

(58) **Field of Classification Search** ..... D19/35, D19/36, 41, 42, 44, 45, 46, 43, 47, 48, 49, D19/50, 51, 54, 55, 56, 57; 24/11 R, 11 F, 24/11 P; 401/55, 99, 100, 104, 105, 106, 401/107, 109, 196, 197, 202, 208, 209, 213, 401/192, 195, 243, 244, 245, 246, 247; 708/107  
See application file for complete search history.

(56) **References Cited**

**U.S. PATENT DOCUMENTS**

D88,821 S \* 12/1932 Platt et al. .... D19/56  
D302,700 S \* 8/1989 Grossiord ..... D19/56  
D312,478 S \* 11/1990 Lecce ..... D19/48

D322,093 S \* 12/1991 Eylers ..... D19/56  
D361,783 S \* 8/1995 Wei ..... D19/48  
5,927,881 A \* 7/1999 Yang ..... 401/29  
D522,580 S \* 6/2006 Shibata ..... D19/51  
D566,175 S \* 4/2008 Qiu et al. .... D19/44  
D569,910 S \* 5/2008 Cetera ..... D19/56

**OTHER PUBLICATIONS**

U.S. Appl. No. 29/296,335 for a Pen Clip, filed Oct. 18, 2007. Inventor: Carl Cetera.\*

\* cited by examiner

*Primary Examiner*—Elizabeth A Albert  
*Assistant Examiner*—Karen E Eldridge Powers

(57) **CLAIM**

The ornamental design for a pen clip, as shown and described.

**DESCRIPTION**

FIG. 1 is a front bottom side perspective view of the pen clip showing my new design;

FIG. 2 is a front elevational view thereof;

FIG. 3 is a side elevational view thereof;

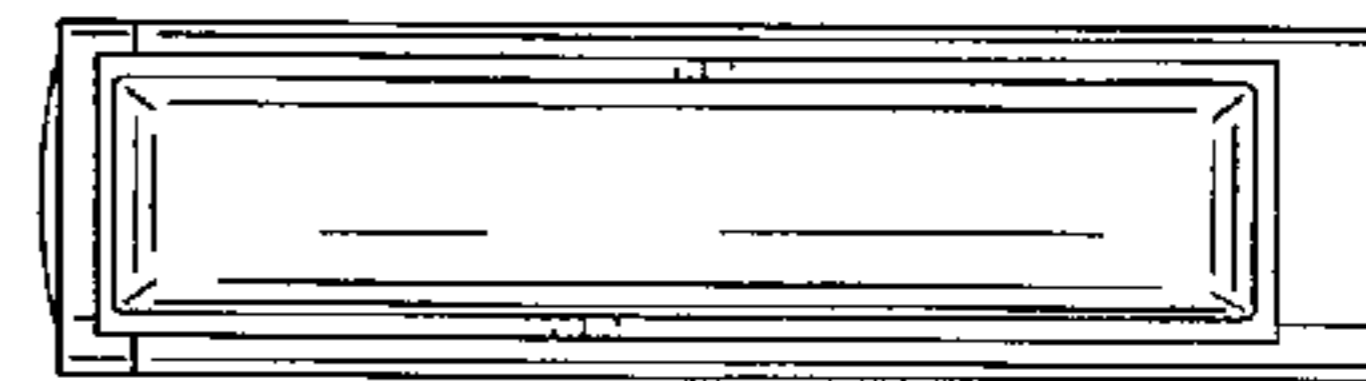
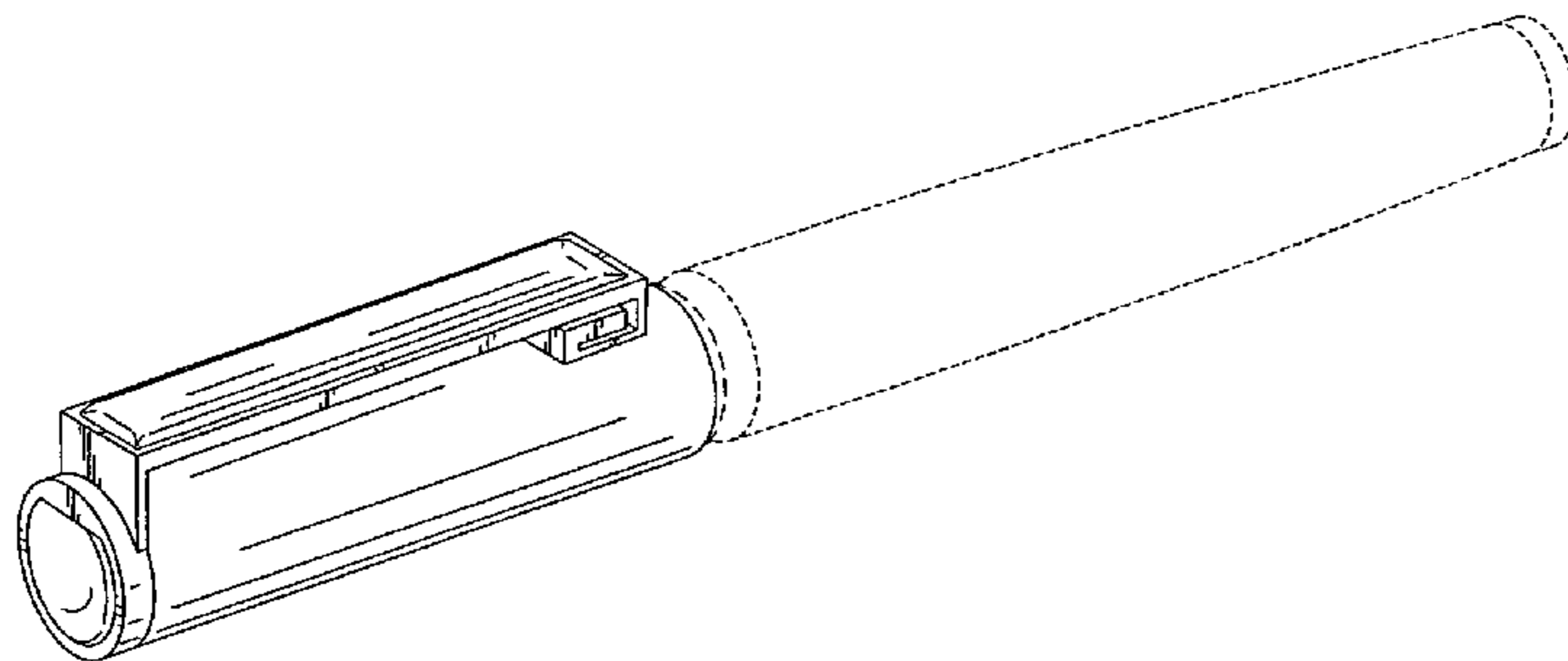
FIG. 4 is a back elevational view thereof;

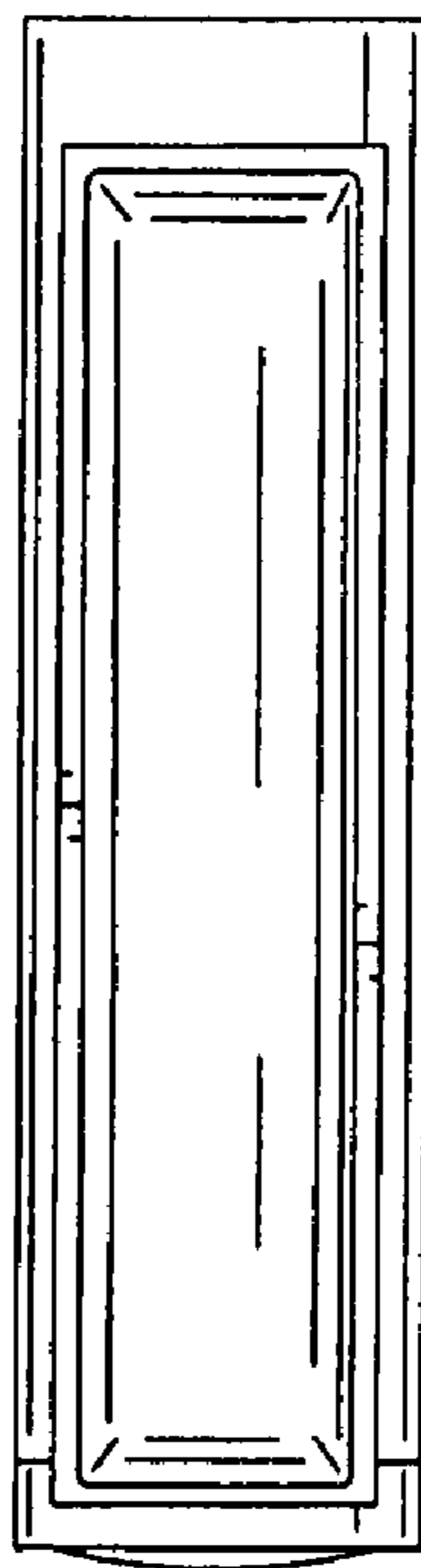
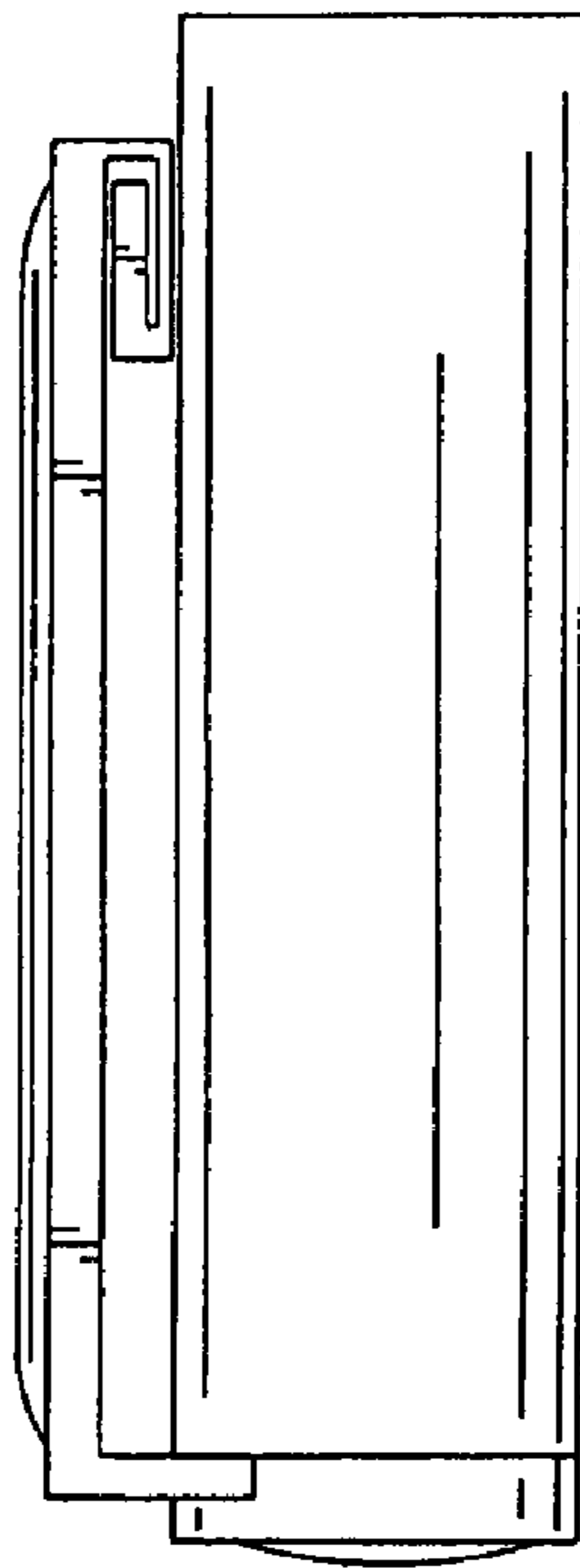
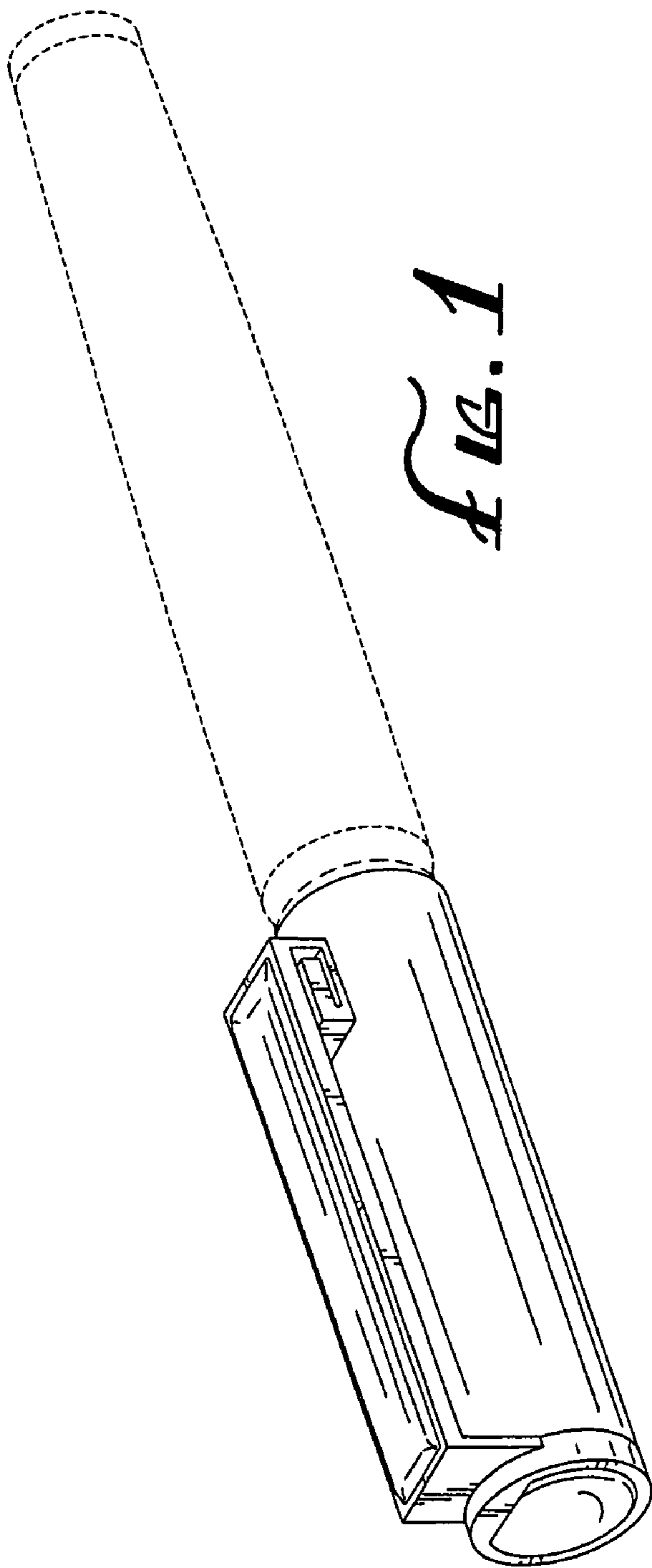
FIG. 5 is a bottom plan view thereof; and,

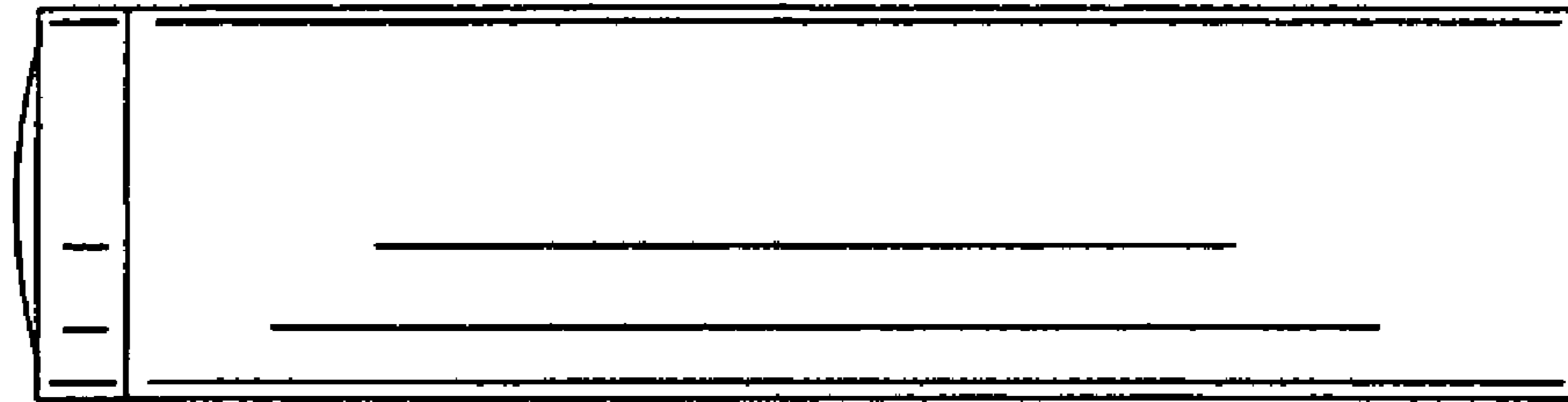
FIG. 6 is a top plan view thereof.

The broken lines showing the barrel of a pen illustrate environmental matter, and the circle drawn in broken lines in FIG. 6 that shows the bounds of the claim, form no part of the claimed design.

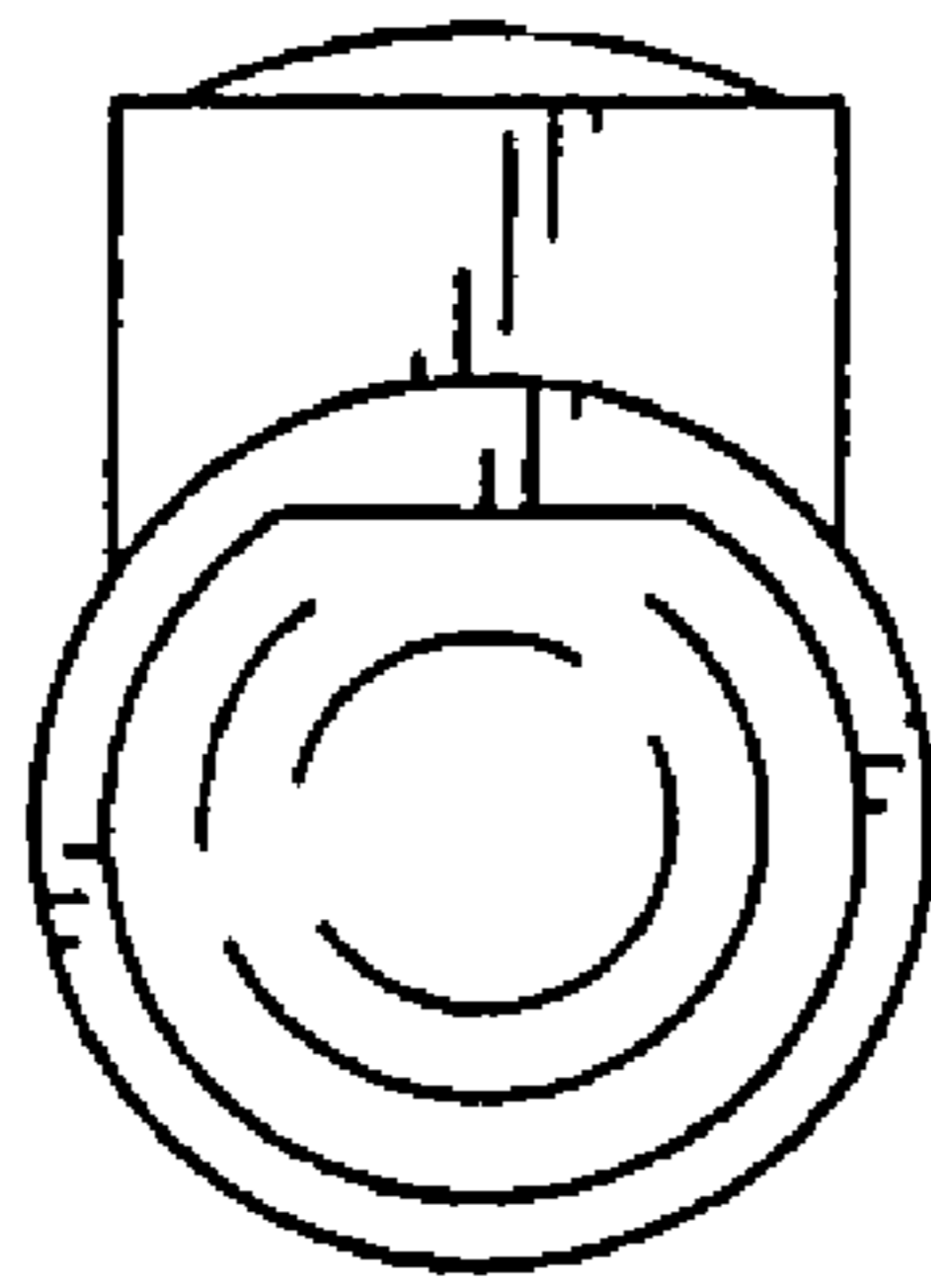
**1 Claim, 2 Drawing Sheets**



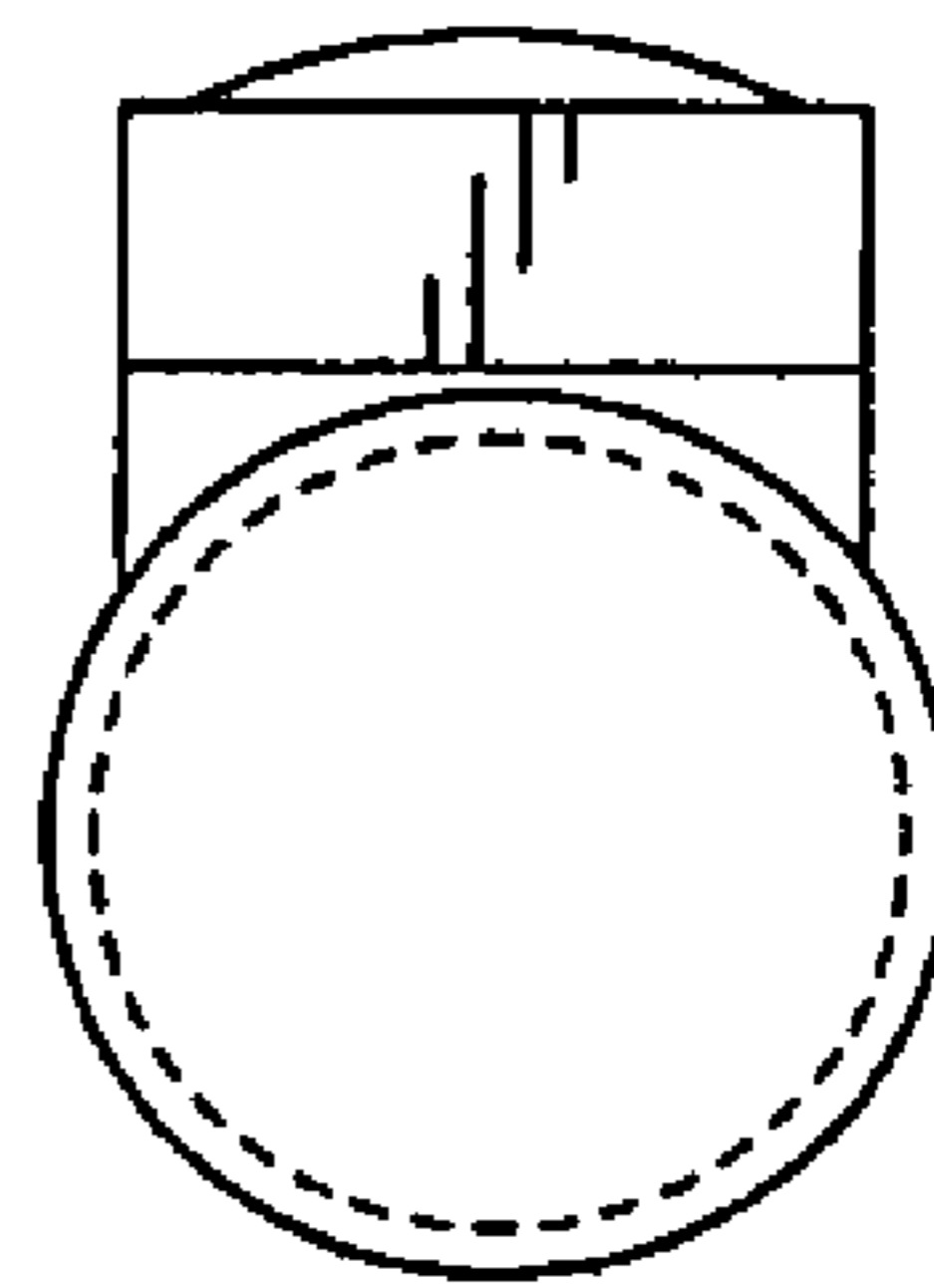




*FIG. 4*



*FIG. 5*



*FIG. 6*