



US00D587754S

(12) **United States Design Patent**  
**Cetera**

(10) **Patent No.:** **US D587,754 S**  
(45) **Date of Patent:** **\*\* Mar. 3, 2009**

(54) **PEN CLIP**

(75) Inventor: **Carl Cetera**, Tenafly, NJ (US)

(73) Assignee: **Cotapaxi Custom Design and Manufacturing, LLC**, Carlstadt, NJ (US)

(\*\*) Term: **14 Years**

(21) Appl. No.: **29/296,335**

(22) Filed: **Oct. 18, 2007**

(51) **LOC (9) Cl.** ..... **19-06**

(52) **U.S. Cl.** ..... **D19/57**

(58) **Field of Classification Search** ..... D19/35,  
D19/36, 41, 42, 44, 45, 46, 43, 47, 48, 49,  
D19/50, 51, 54, 55, 56, 57; 24/11 R, 11 F,  
24/11 P; 401/55, 99, 100, 104, 105, 106,  
401/107, 109, 196, 197, 202, 208, 209, 213,  
401/192, 195, 243, 244, 245, 246, 247; 708/107  
See application file for complete search history.

(56) **References Cited**

**U.S. PATENT DOCUMENTS**

D88,821 S *	12/1932	Platt et al.	.....	D19/56
D284,585 S *	7/1986	Zierhut	.....	D19/57
D312,478 S *	11/1990	Lecce	.....	D19/48
D322,093 S *	12/1991	Eylers	.....	D19/56
D352,063 S *	11/1994	de Haro Egea et al.	.....	D19/36
D356,113 S *	3/1995	Maggio	.....	D19/36

D361,783 S *	8/1995	Wei	.....	D19/48
5,927,881 A *	7/1999	Yang	.....	401/29
D566,175 S *	4/2008	Qiu et al.	.....	D19/44
D569,910 S *	5/2008	Cetera	.....	D19/56

**OTHER PUBLICATIONS**

U.S. Appl. No. 29/299,367 for a Pen Clip, filed Dec. 21, 2007.  
Inventor: Carl Cetera.\*

\* cited by examiner

*Primary Examiner*—Elizabeth A Albert  
*Assistant Examiner*—Karen E Eldridge Powers

(57) **CLAIM**

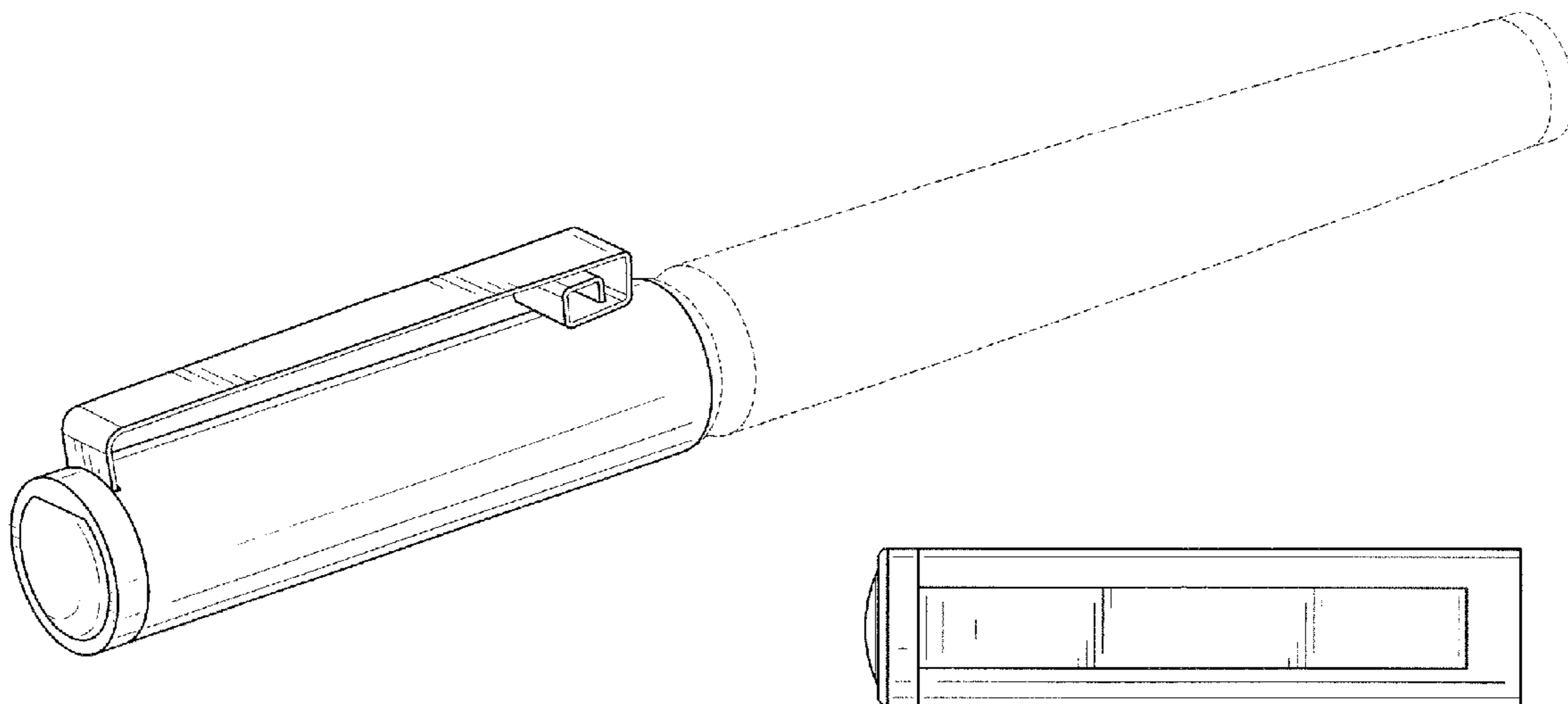
The ornamental design for a pen clip, as shown and described.

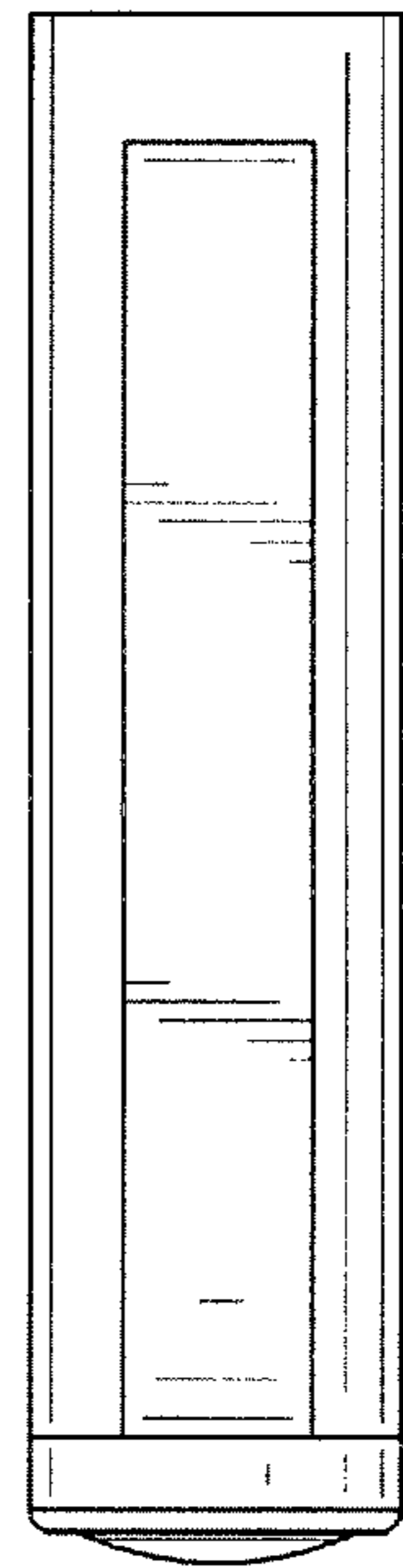
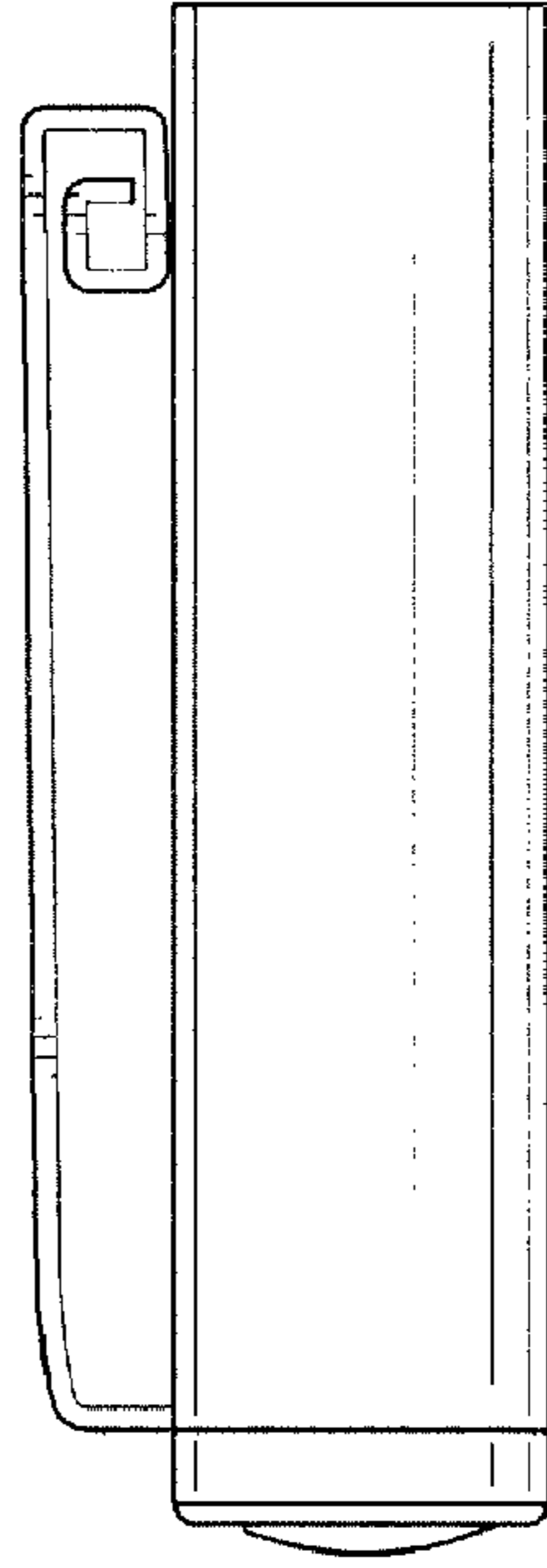
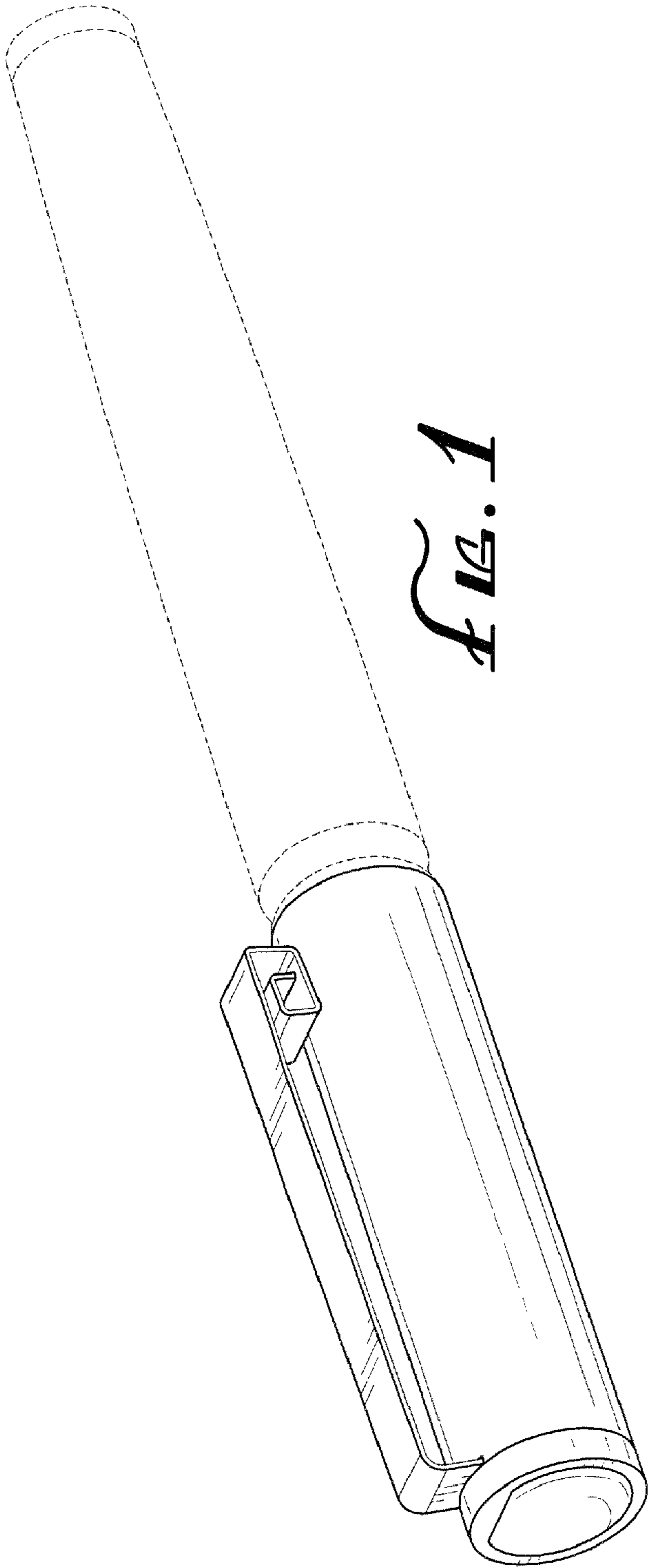
**DESCRIPTION**

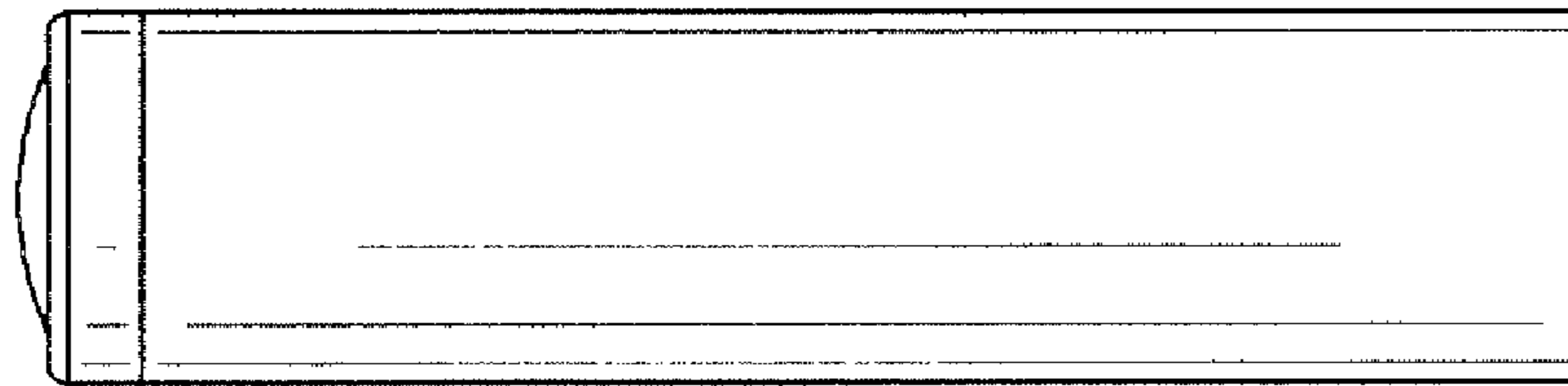
FIG. 1 is a front bottom side perspective view of the pen clip showing my new design;  
FIG. 2 is a front elevational view thereof;  
FIG. 3 is a side elevational view thereof;  
FIG. 4 is a back elevational view thereof;  
FIG. 5 is a bottom plan view thereof; and,  
FIG. 6 is a top plan view thereof.

The broken lines showing the barrel of a pen illustrate environmental matter, and the circle drawn in broken lines in FIG. 6 that shows the bounds of the claim, form no part of the claimed design.

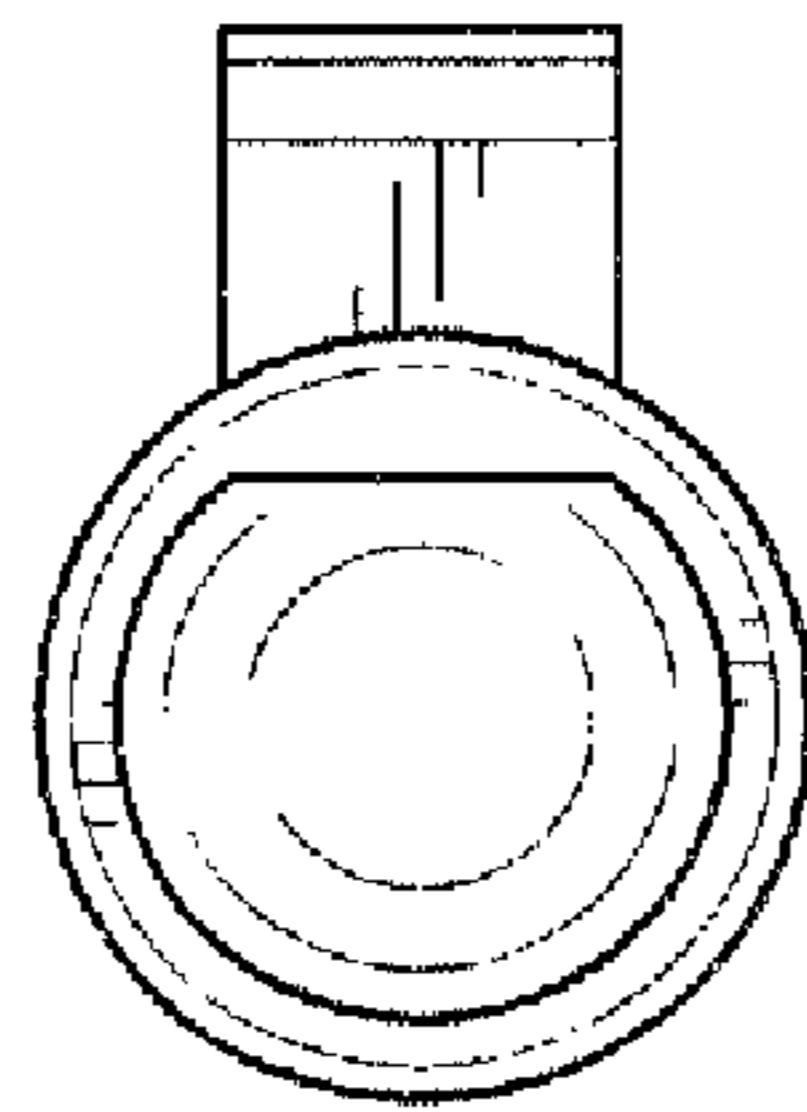
**1 Claim, 2 Drawing Sheets**



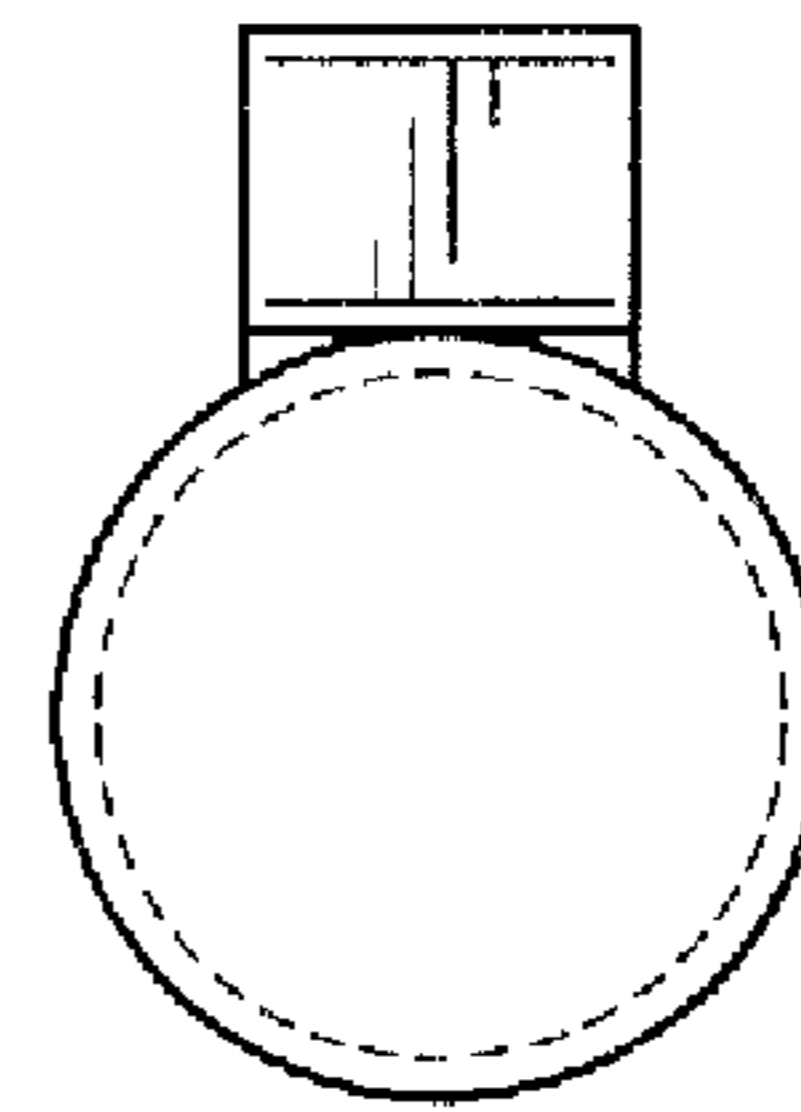




*FIG. 4*



*FIG. 5*



*FIG. 6*