



US00D587750S

(12) **United States Design Patent**  
**Vasquez**

(10) **Patent No.:** **US D587,750 S**  
(45) **Date of Patent:** **\*\* Mar. 3, 2009**

(54) **RE-RECORDABLE PAGE INSERT**

(76) Inventor: **Jeanne Vasquez**, 15822 Heartwood Way,  
Cypress, TX (US) 77433

(\*\*) Term: **14 Years**

(21) Appl. No.: **29/317,973**

(22) Filed: **May 10, 2008**

(51) **LOC (9) Cl.** ..... **19-04**

(52) **U.S. Cl.** ..... **D19/33**

(58) **Field of Classification Search** ..... D19/27,  
D19/33, 32, 88, 79, 26, 65, 75, 86, 90, 91,  
D19/99; D14/167; D6/626; 281/21.1, 22,  
281/38, 41, 45; 402/79, 502, 503, 1, 4  
See application file for complete search history.

(56) **References Cited**

U.S. PATENT DOCUMENTS

D298,955 S *	12/1988	Zovar	.....	D19/88
D321,012 S *	10/1991	Wright	.....	D19/88
5,316,404 A *	5/1994	Hensel	.....	402/79
D380,775 S *	7/1997	Lee	.....	D19/33
D395,059 S *	6/1998	Bedol	.....	D19/32
D421,051 S *	2/2000	Jahn	.....	D19/33
D442,631 S *	5/2001	Pfanner et al.	.....	D19/27
D491,407 S *	6/2004	Martinetti	.....	D6/626

\* cited by examiner

*Primary Examiner*—Cathron Brooks  
*Assistant Examiner*—Austin Murphy

(74) *Attorney, Agent, or Firm*—John Karl Buche; Scott D. Compton; Buche & Associates, P.C.

(57) **CLAIM**

The ornamental design for a re-recordable page insert, as shown and described.

**DESCRIPTION**

FIG. 1 is a perspective view of the re-recordable page insert including an adjustable tab extending forward therefrom;

FIG. 2 is a front elevational view thereof;

FIG. 3 is a rear elevational view thereof including an adhesive film along its surface;

FIG. 4 is a right side elevational view of the re-recordable page insert including an adjustable tab extending forward therefrom;

FIG. 5 is a left side elevational view thereof;

FIG. 6 is a top view thereof;

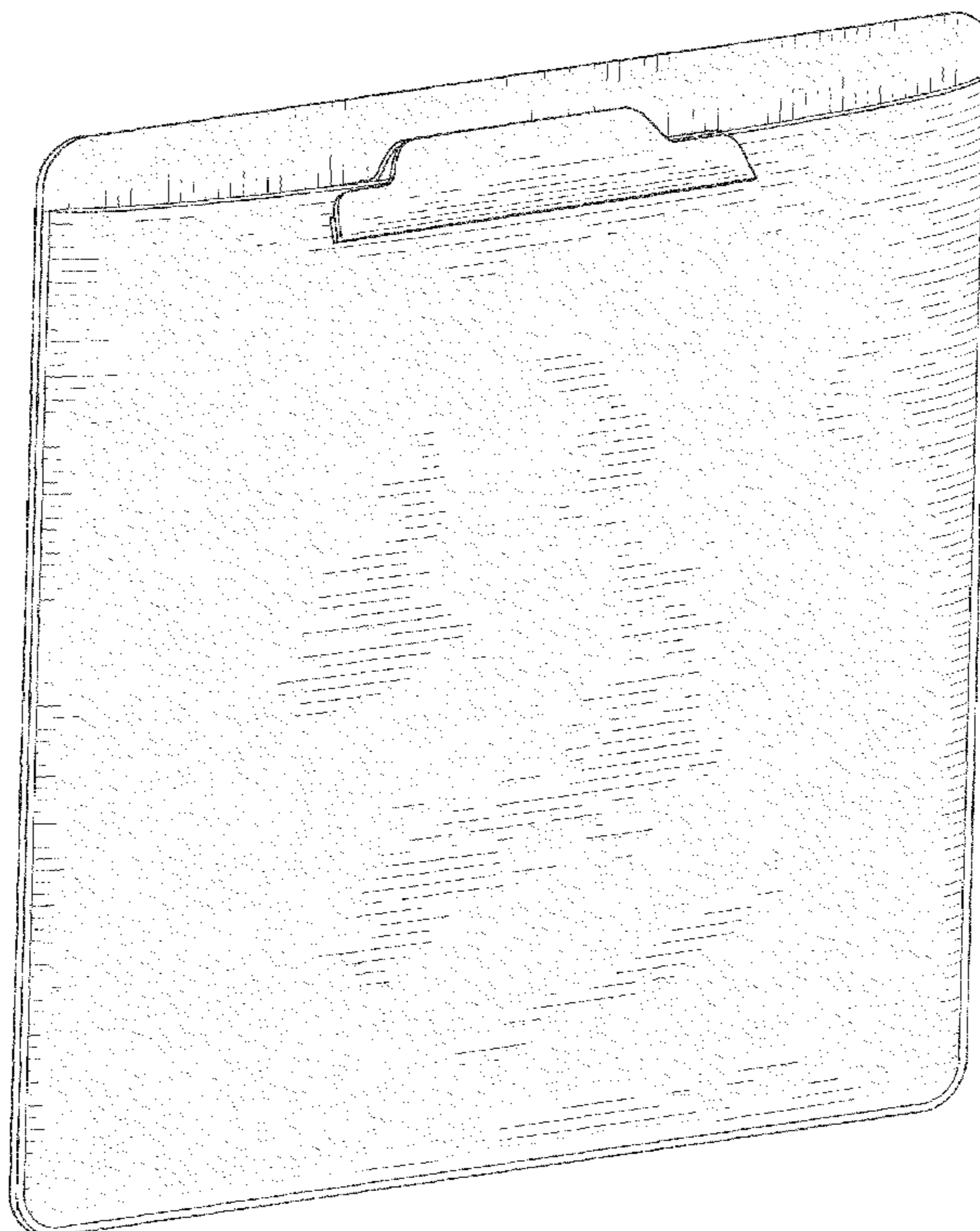
FIG. 7 is a bottom view thereof;

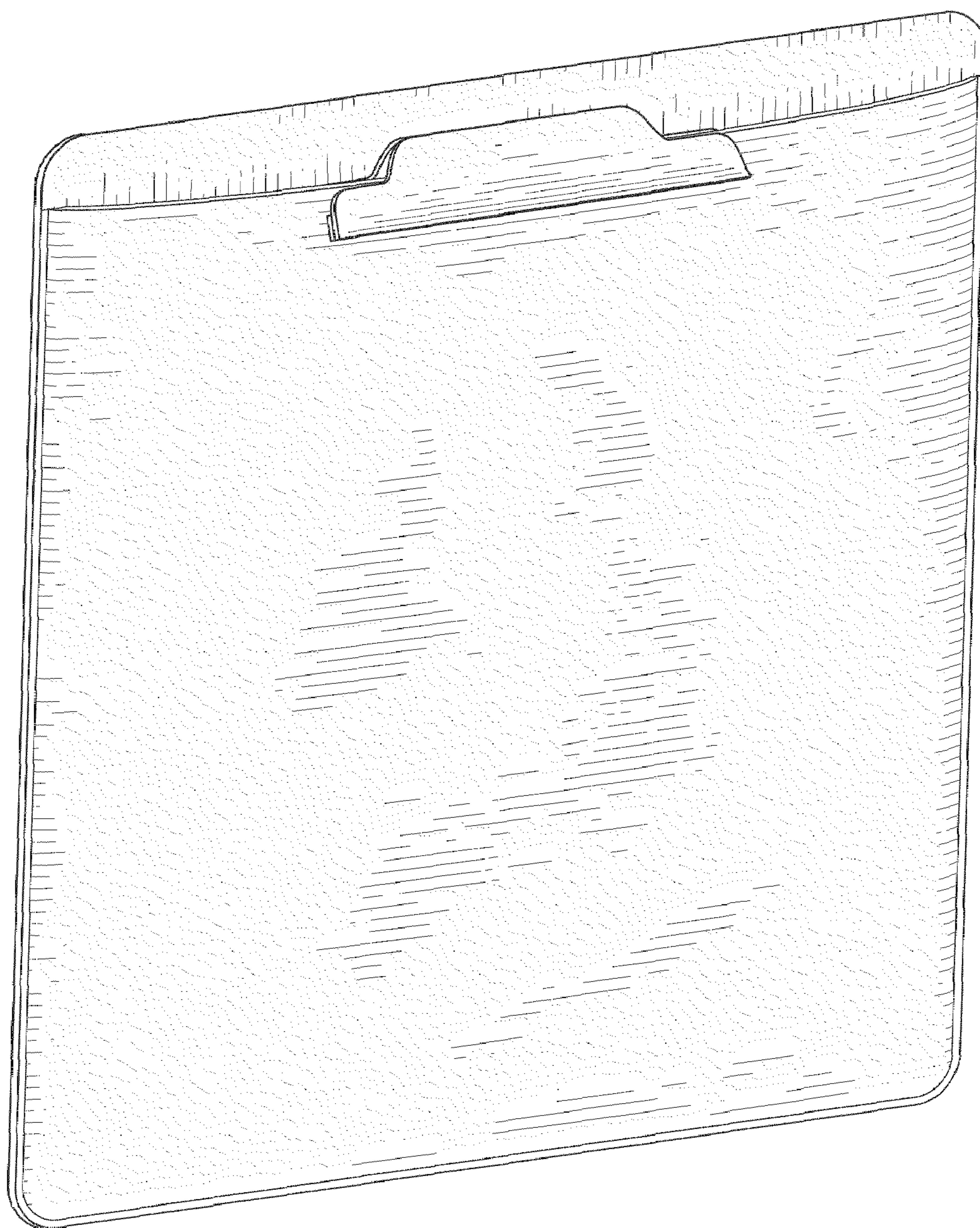
FIG. 8 is a perspective view of the re-recordable page insert illustrating the directional manner of insertion of said page insert within a scrapbook page; and,

FIG. 9 is a perspective view of the re-recordable page insert in an OFF position within a scrapbook.

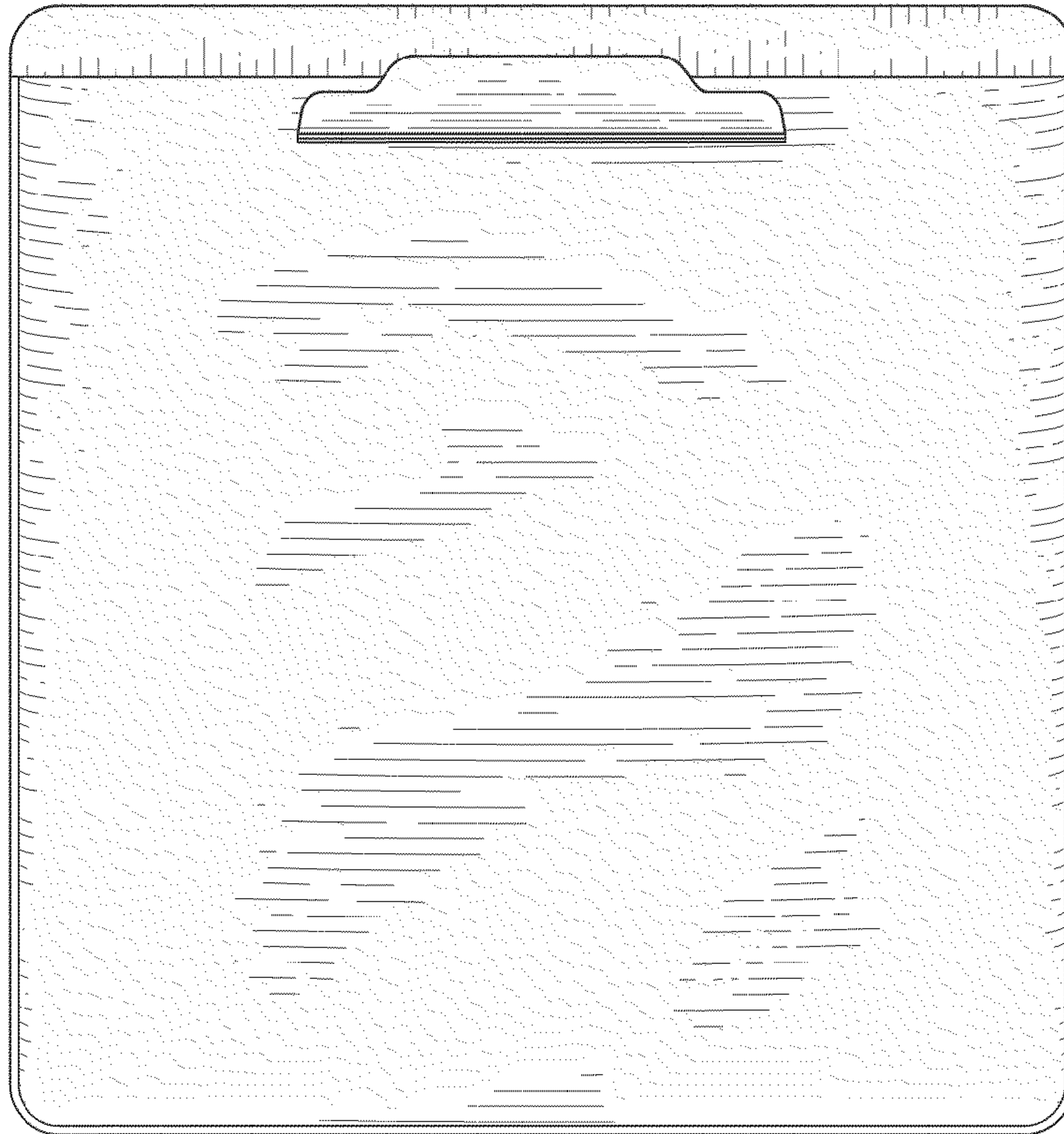
The broken lines shown in the drawings form no part of the claimed design.

**1 Claim, 5 Drawing Sheets**

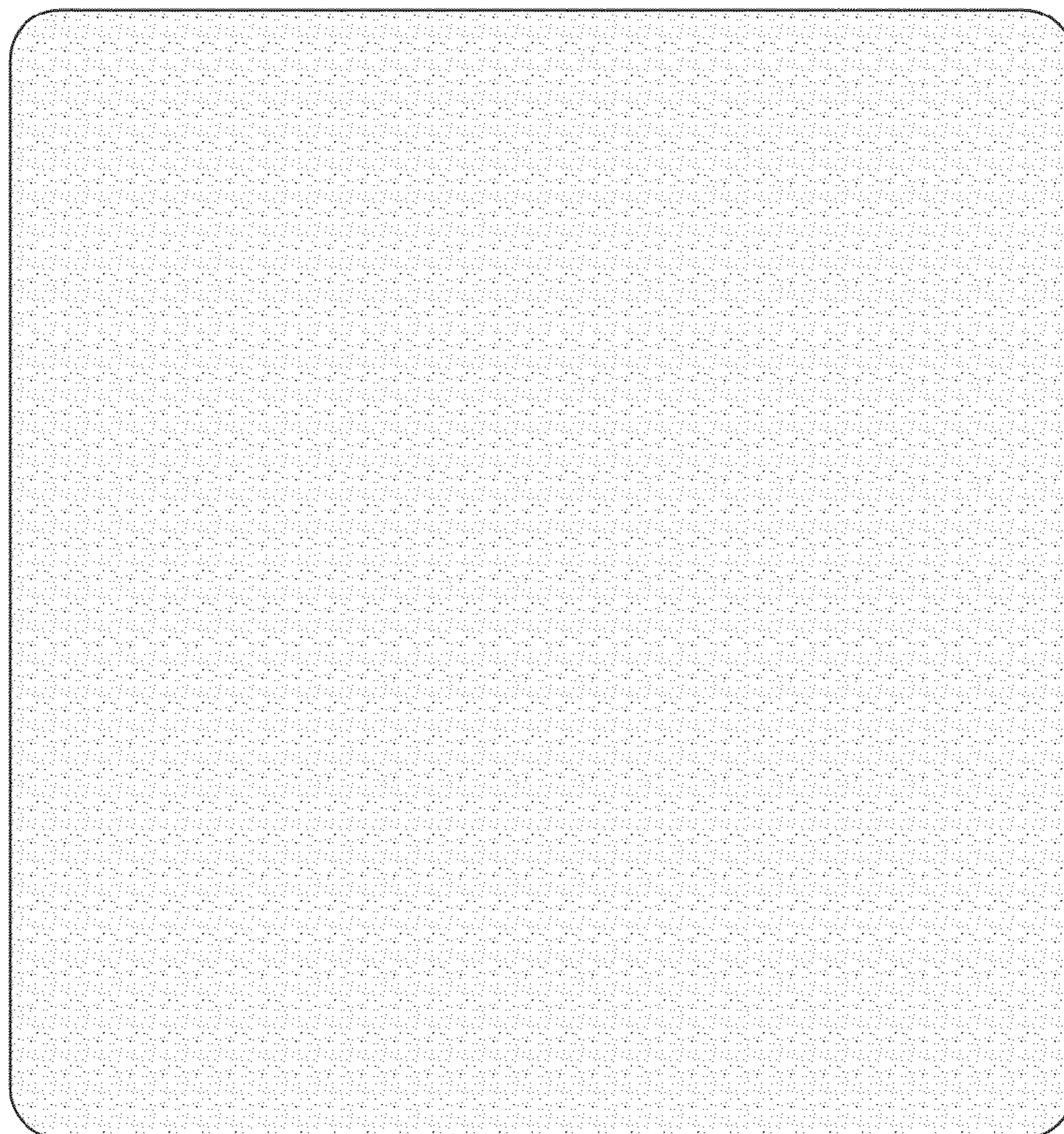




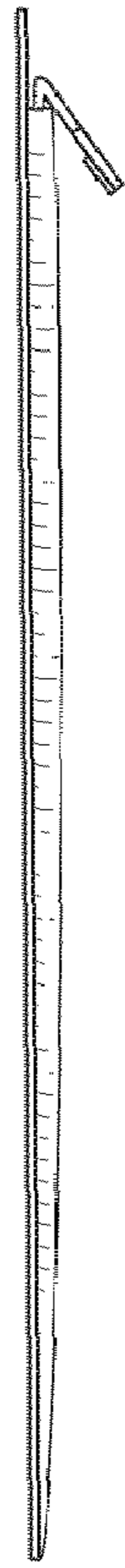
**FIG. 1**



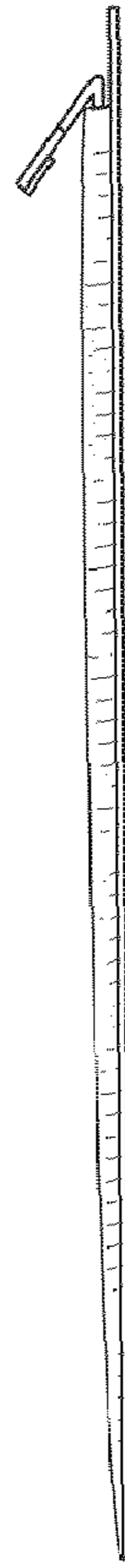
**FIG. 2**



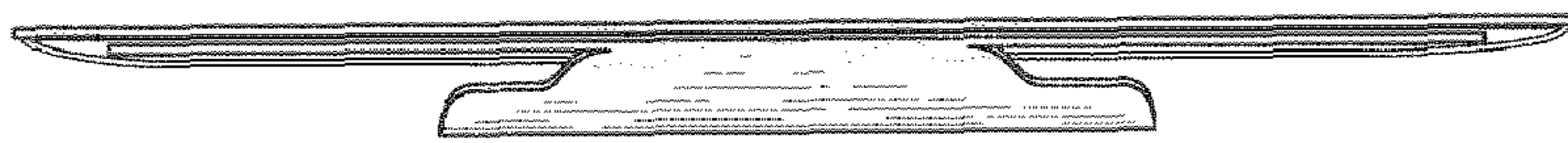
**FIG. 3**



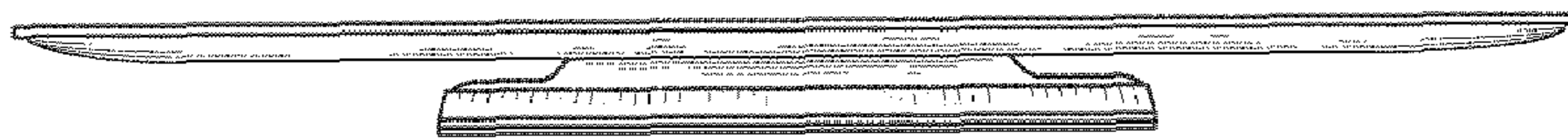
**FIG. 4**



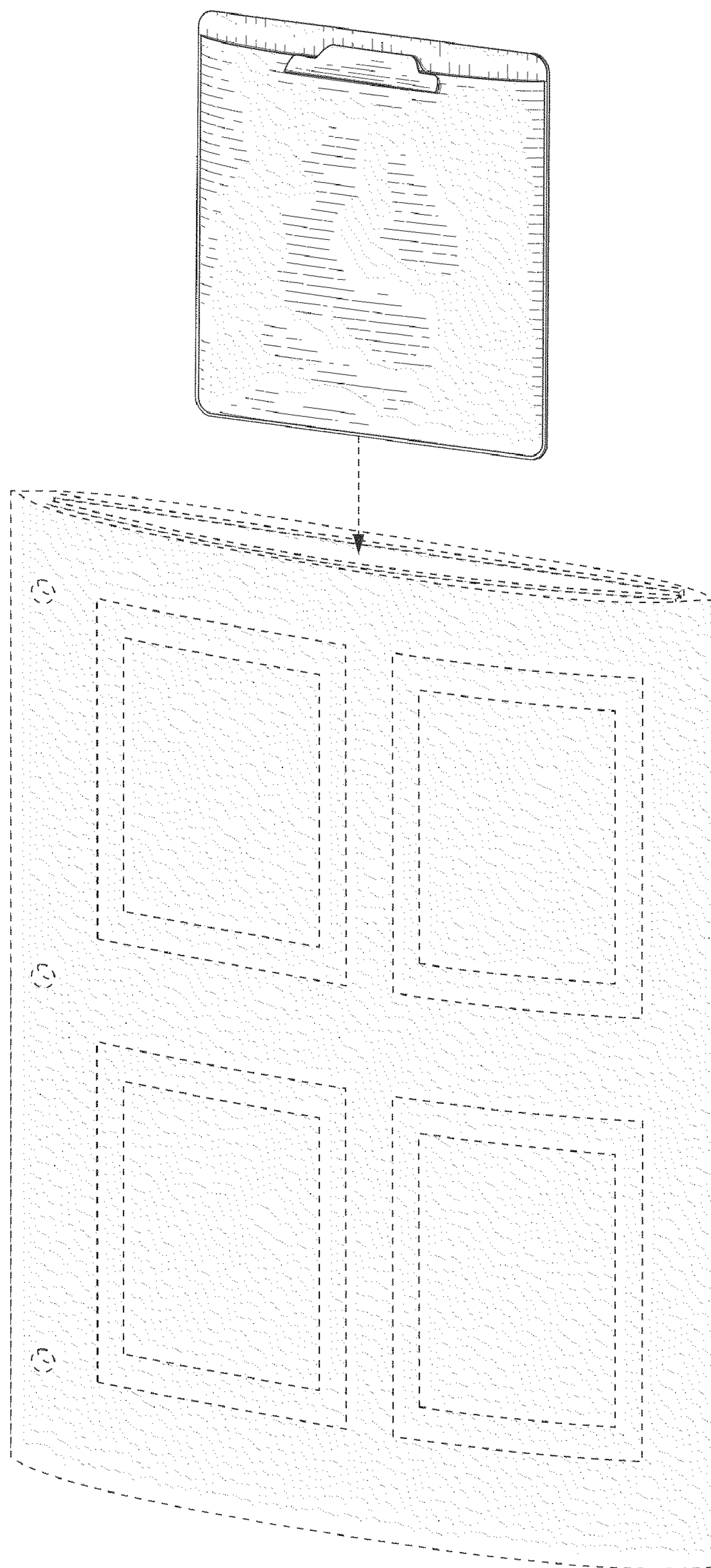
**FIG. 5**



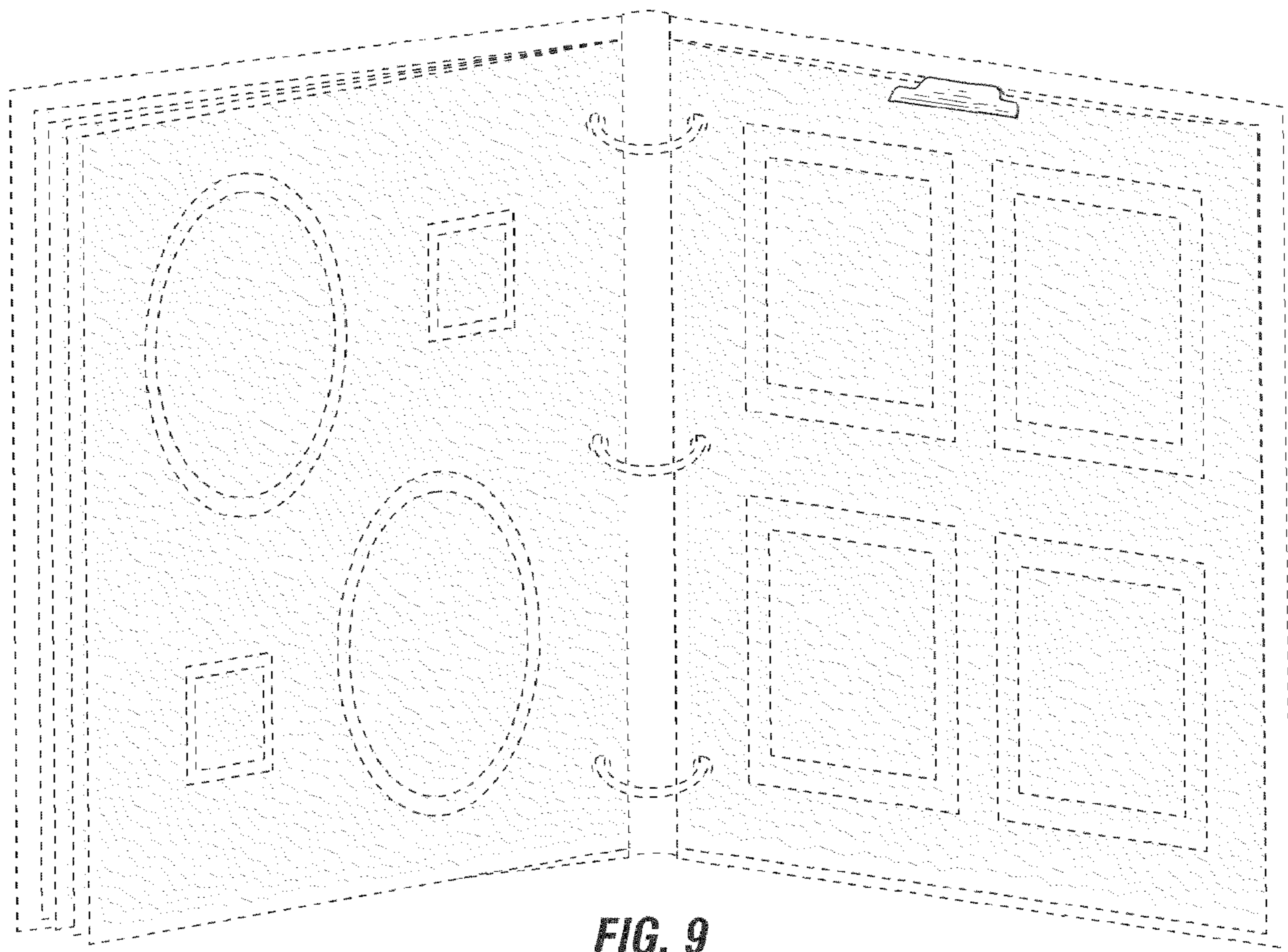
**FIG. 6**



**FIG. 7**



**FIG. 8**



**FIG. 9**