



US00D587748S

(12) **United States Design Patent**
Anderson, Jr. et al.

(10) **Patent No.:** **US D587,748 S**
(45) **Date of Patent:** **** Mar. 3, 2009**

(54) **INK TANK WITH RFID SENSOR AND SERPENTINE VENT**

(75) Inventors: **James Daniel Anderson, Jr.**, Harrodsburg, KY (US); **Stephen Porter Bush**, Richmond, KY (US); **Michael Clark Campbell**, Lexington, KY (US); **Johnnie Coffey**, Winchester, KY (US); **John Yeung Conway**, Louisville, KY (US); **Gina Marie Johns**, Nicholasville, KY (US); **Jay Scott Siekmann**, Nicholasville, KY (US); **Tu Phan**, Lexington, KY (US); **David Emerson Greer**, Lexington, KY (US); **Rita Greer**, legal representative, Lexington, KY (US)

(73) Assignee: **Lexmark International, Inc.**, Lexington, KY (US)

(**) Term: **14 Years**

(21) Appl. No.: **29/278,352**

(22) Filed: **Mar. 27, 2007**

(51) **LOC (9) Cl.** **18-02**

(52) **U.S. Cl.** **D18/56**

(58) **Field of Classification Search** D18/56;
347/86-87

See application file for complete search history.

(56) **References Cited**

U.S. PATENT DOCUMENTS

D359,755 S * 6/1995 Tokuda et al. D18/56
D400,574 S * 11/1998 Inoue et al. D18/56
D407,746 S * 4/1999 Fujii et al. D18/56

D425,110 S * 5/2000 Dietl et al. D18/56
D448,797 S * 10/2001 Carrese et al. D18/56
D453,184 S * 1/2002 Ito et al. D18/56
D456,836 S * 5/2002 Ito et al. D18/56
D469,463 S * 1/2003 Yu et al. D18/56
6,595,711 B2 * 7/2003 Hill 347/86
D481,756 S * 11/2003 Shinada et al. D18/56
6,722,762 B2 * 4/2004 Miyazawa et al. 347/86
D493,820 S * 8/2004 Matsuo et al. D18/56
7,192,129 B2 * 3/2007 Droege et al. 347/87
D542,345 S * 5/2007 Hayashi et al. D18/56
D549,280 S * 8/2007 Morino D18/56
D564,580 S * 3/2008 Nip D18/56
2008/0094429 A1 * 4/2008 Miyazawa et al. 347/86

* cited by examiner

Primary Examiner—Cathy Anne MacCormac

(74) *Attorney, Agent, or Firm*—Neill R. Kahle, Jr.

(57) **CLAIM**

We claim the ornamental design for an ink tank with RFID sensor and serpentine vent, as shown and described.

DESCRIPTION

FIG. 1 is a perspective view of the ink tank with RFID sensor and serpentine vent showing the new design;

FIG. 2 is a top plan view thereof;

FIG. 3 is a bottom plan view thereof;

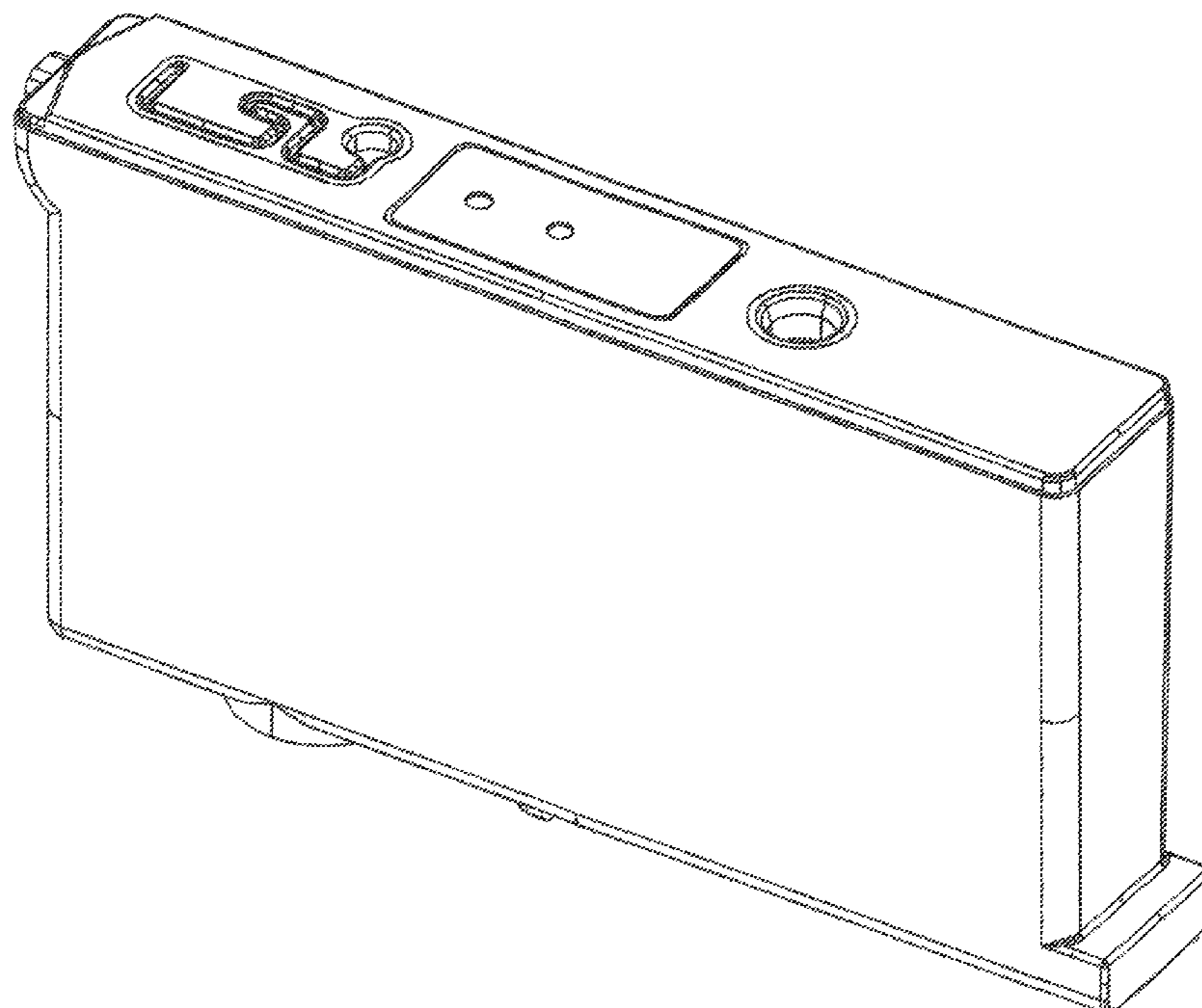
FIG. 4 is a front view thereof;

FIG. 5 is a rear view thereof;

FIG. 6 is a left side view thereof; and

FIG. 7 is a right side view thereof.

1 Claim, 7 Drawing Sheets



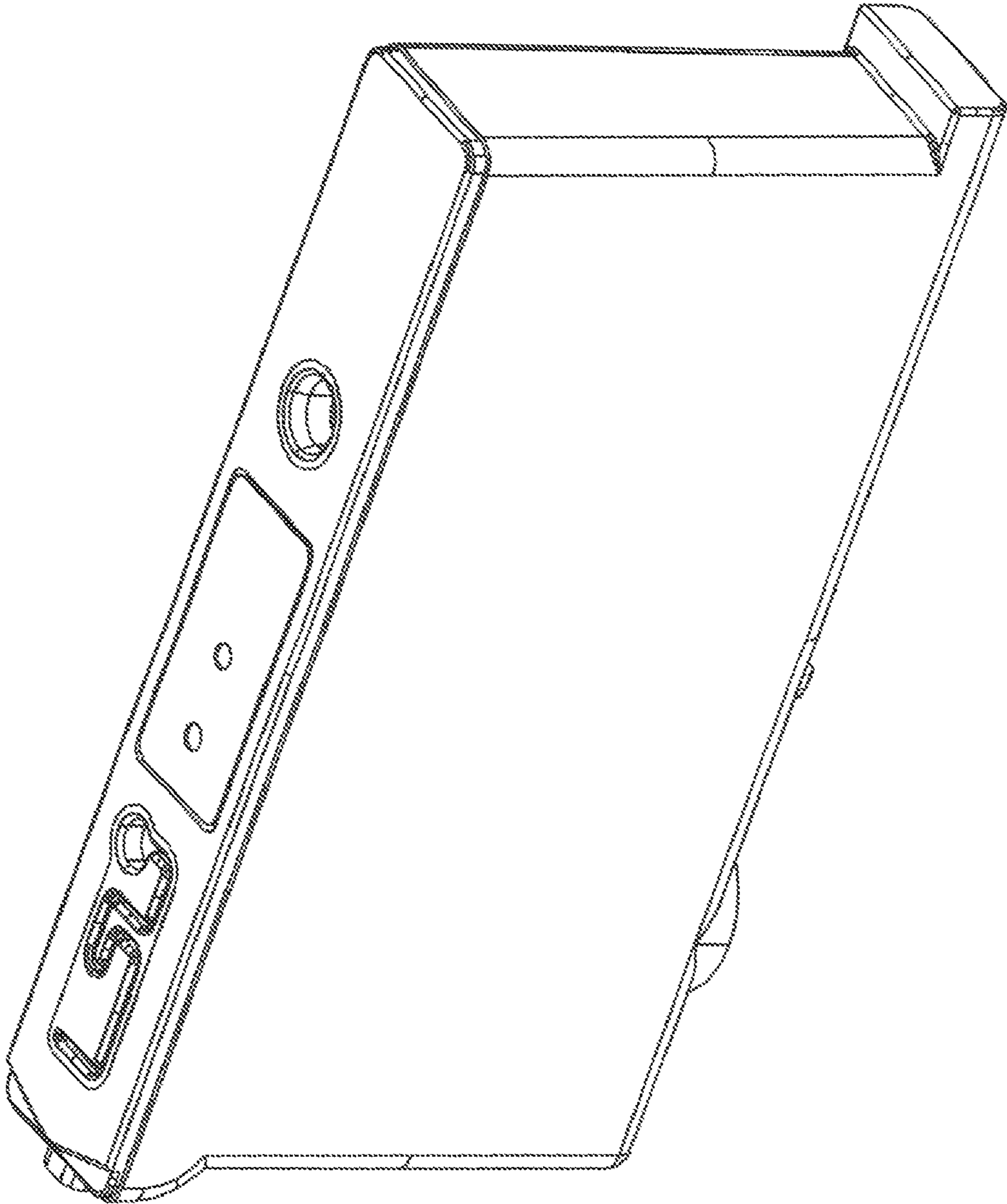


Fig. 1

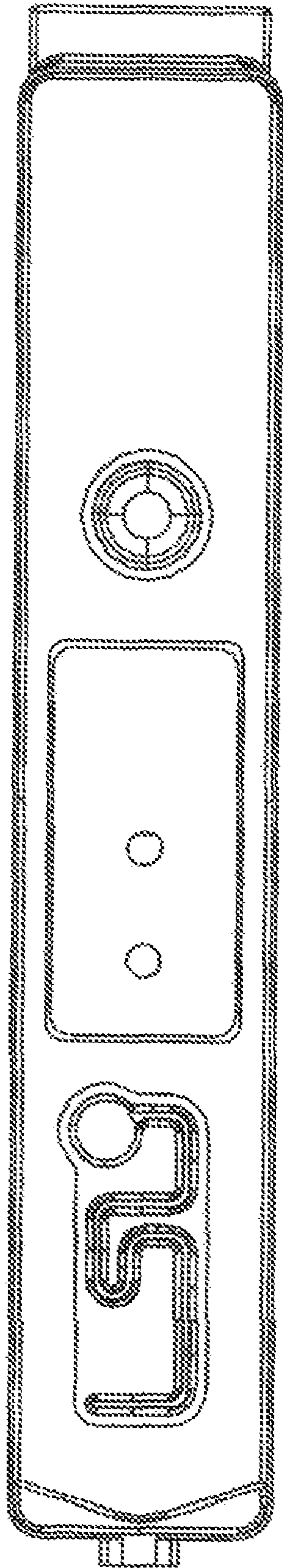


Fig. 2

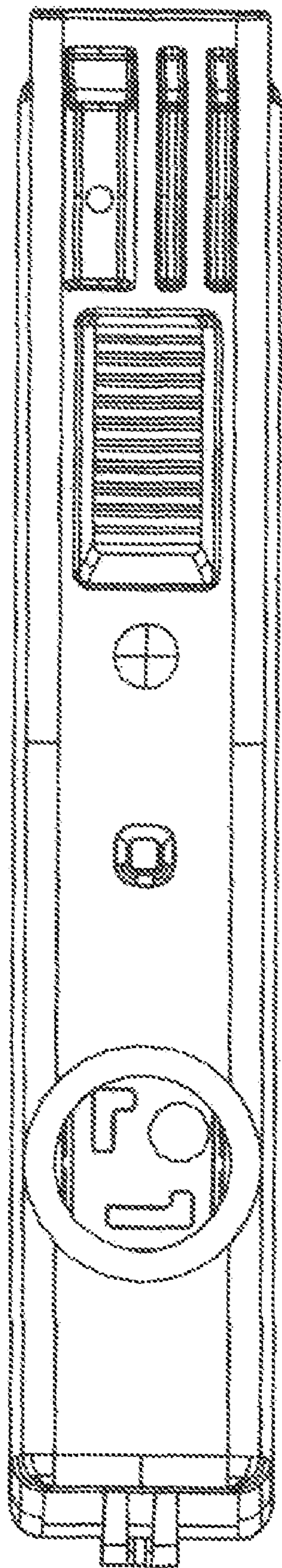


Fig. 3

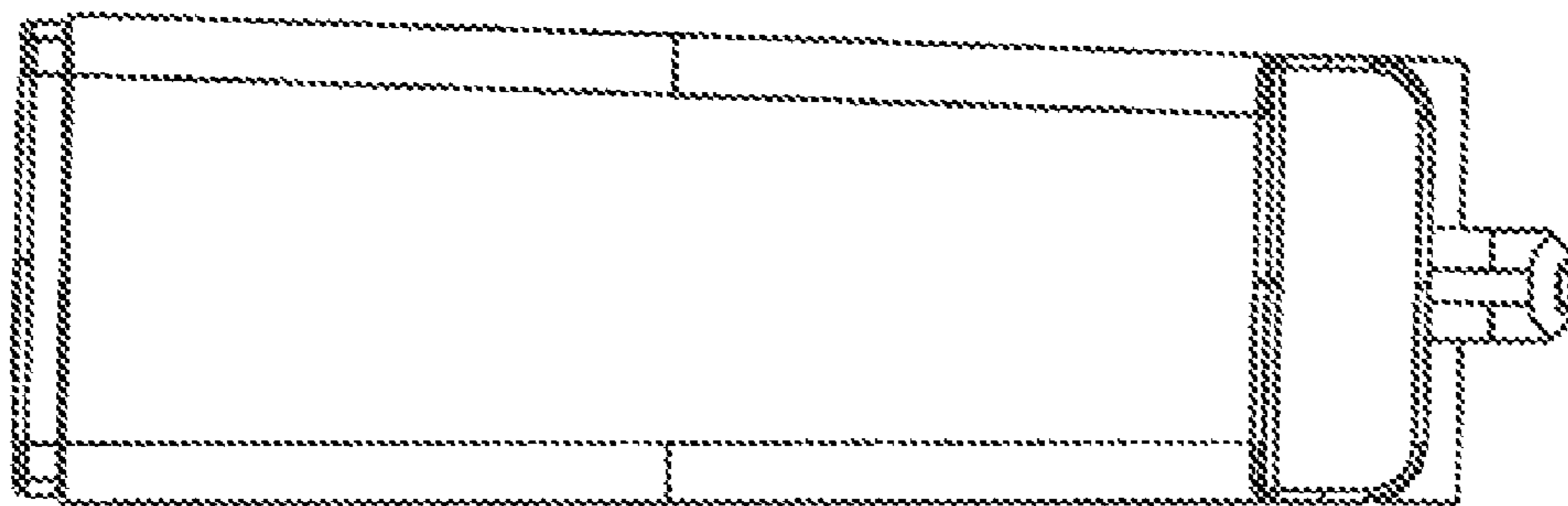


Fig. 4

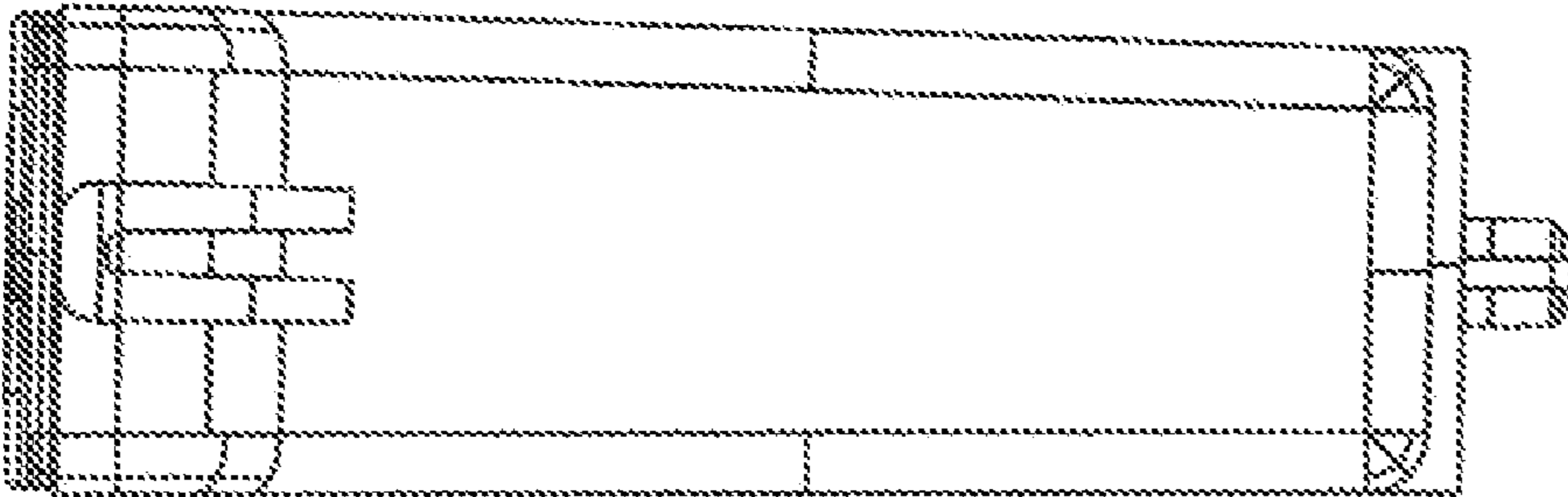


Fig. 5

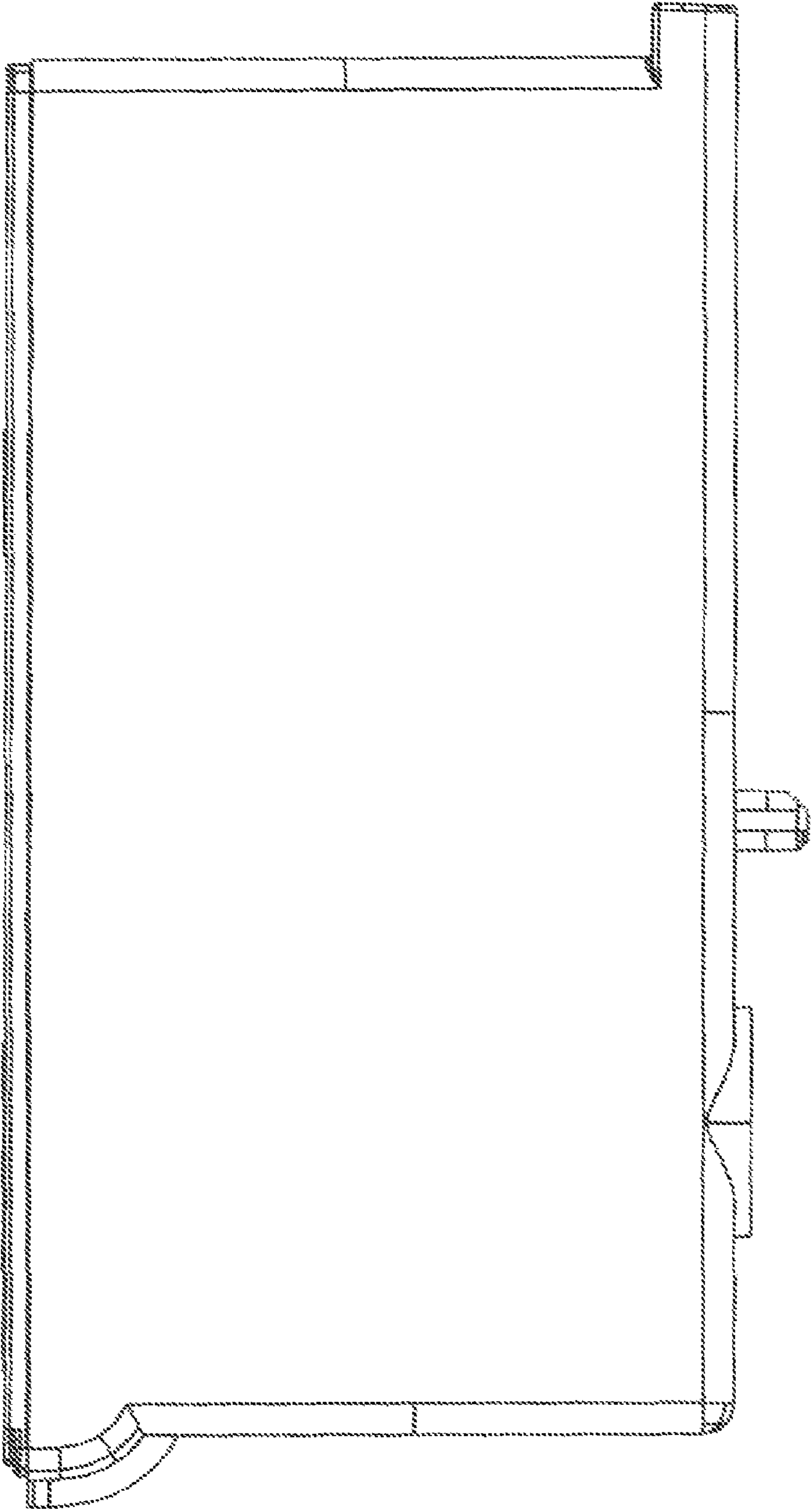


Fig. 6

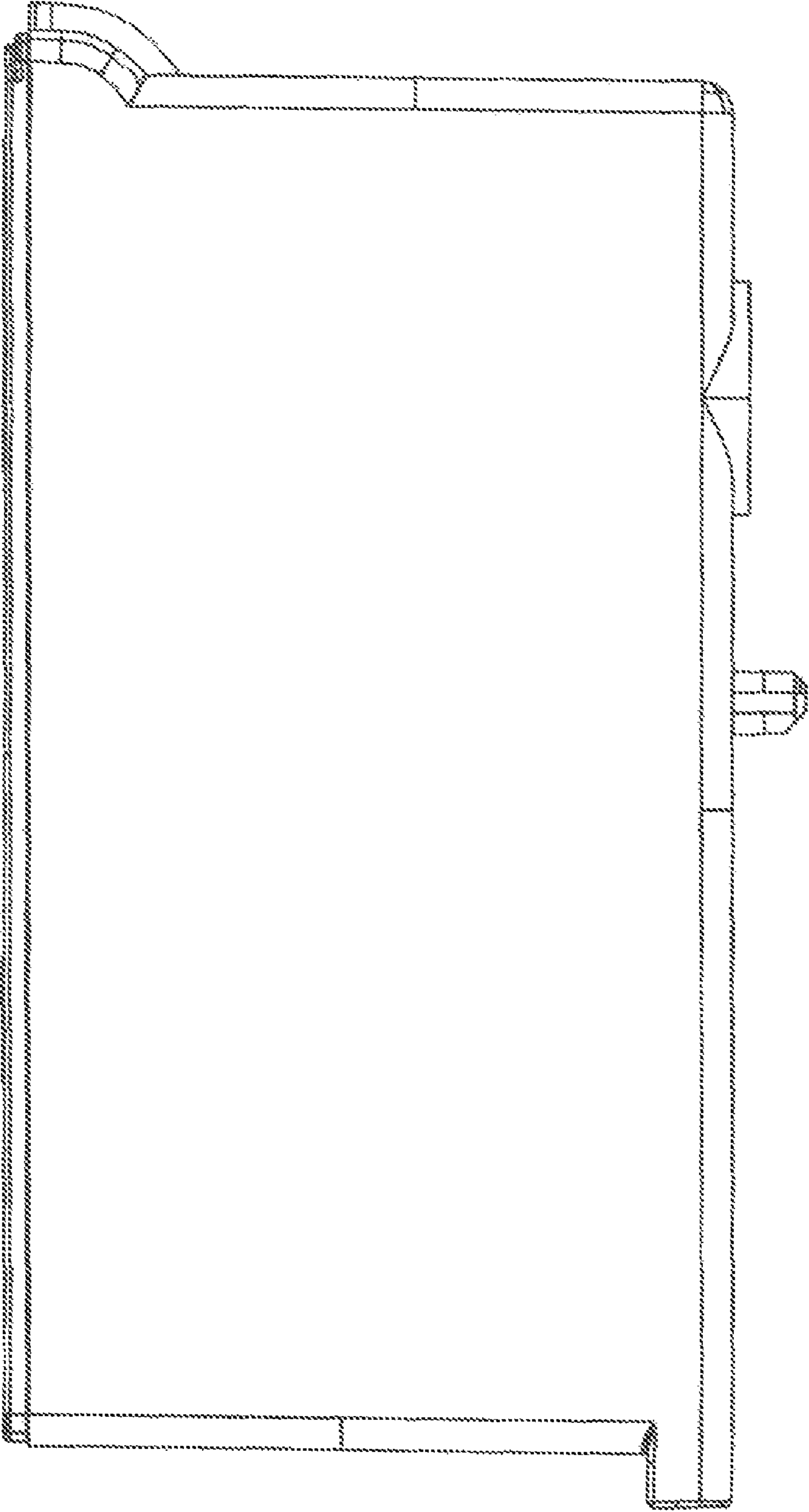


Fig. 7