



US00D587743S

(12) **United States Design Patent**
Kroon et al.

(10) **Patent No.:** **US D587,743 S**
(45) **Date of Patent:** **** Mar. 3, 2009**

(54) **GUITAR TREMOLO**

FOREIGN PATENT DOCUMENTS

(75) Inventors: **Niklas Kroon**, Halmstad (SE); **Patrik Sundin**, Halmstad (SE)

WO WO 2007081273 A1 * 7/2007

* cited by examiner

(73) Assignee: **Sonoinvent AB**, Halmstad (SE)

Primary Examiner—Ian Simmons

Assistant Examiner—R. Johnson

(**) Term: **14 Years**

(74) *Attorney, Agent, or Firm*—Harness, Dickey & Pierce

(21) Appl. No.: **29/262,732**

(57) **CLAIM**

(22) Filed: **Jul. 11, 2006**

The ornamental design for a guitar tremolo, as shown and described.

(30) **Foreign Application Priority Data**

Jan. 14, 2006 (EM) 000472501-0002

DESCRIPTION

(51) **LOC (9) Cl.** **17-03**

FIG. 1 is a perspective view of a guitar tremolo showing our new design;

(52) **U.S. Cl.** **D17/21**

FIG. 2 is a right side elevational view thereof; and,

(58) **Field of Classification Search** D17/20,
D17/21, 99; 84/629, 705, 267, 290, 297 R,
84/313

FIG. 3 is a top plan view thereof.

See application file for complete search history.

The left side elevational view is a mirror image of the right side elevational view, and is not illustrated. The bottom plan view is not illustrated as it forms not part of the present invention.

(56) **References Cited**

U.S. PATENT DOCUMENTS

5,986,192 A * 11/1999 Wingfield et al. 84/313
6,194,645 B1 * 2/2001 Rose 84/313
6,797,870 B2 * 9/2004 Kang 84/313
2006/0048627 A1 * 3/2006 Eshleman 84/313

The rear elevational view is not illustrated as it forms no part of the claimed design. The broken lines are for illustrative purposes only and form no part of the claimed design.

1 Claim, 2 Drawing Sheets

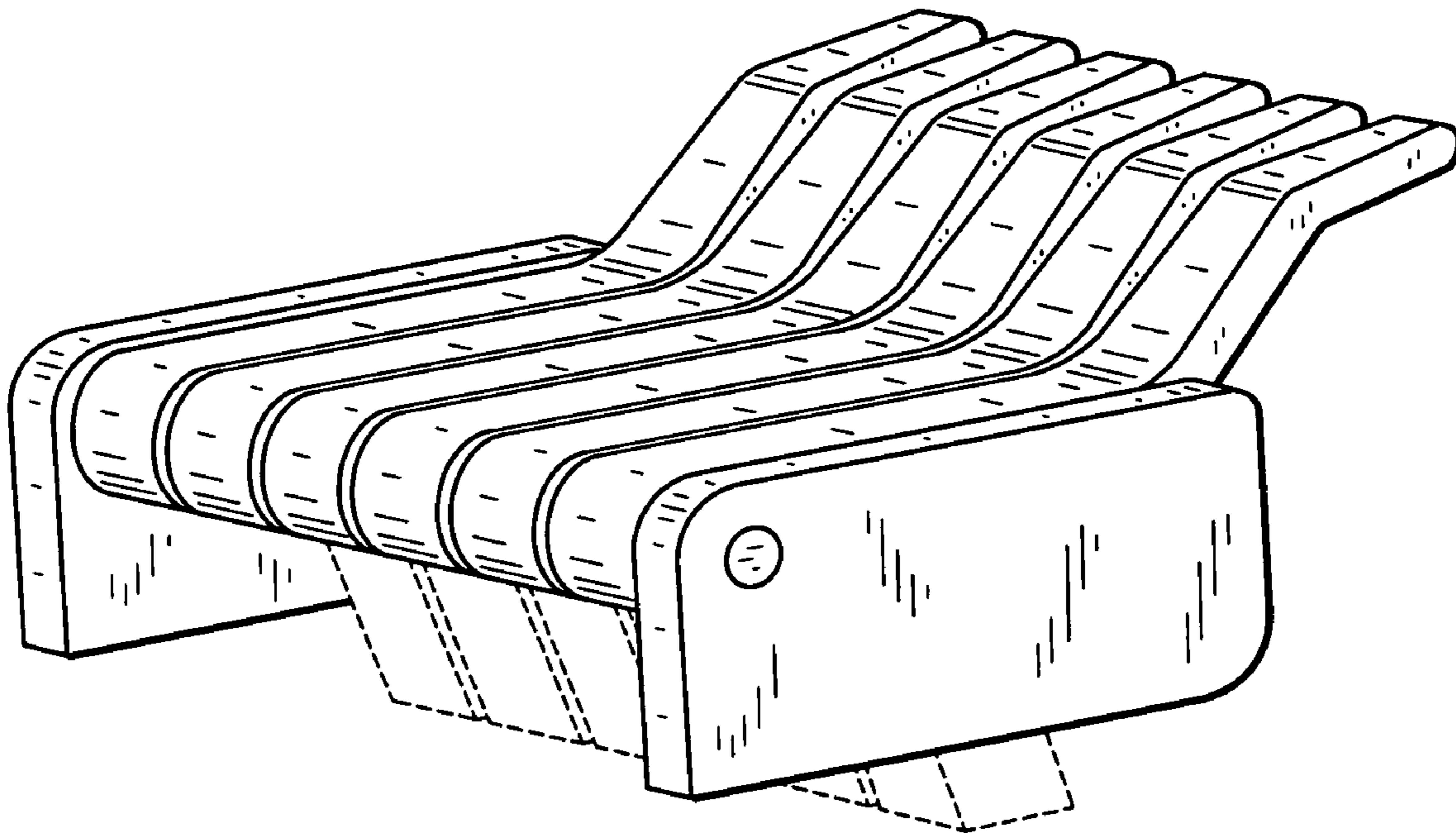


FIG. 1

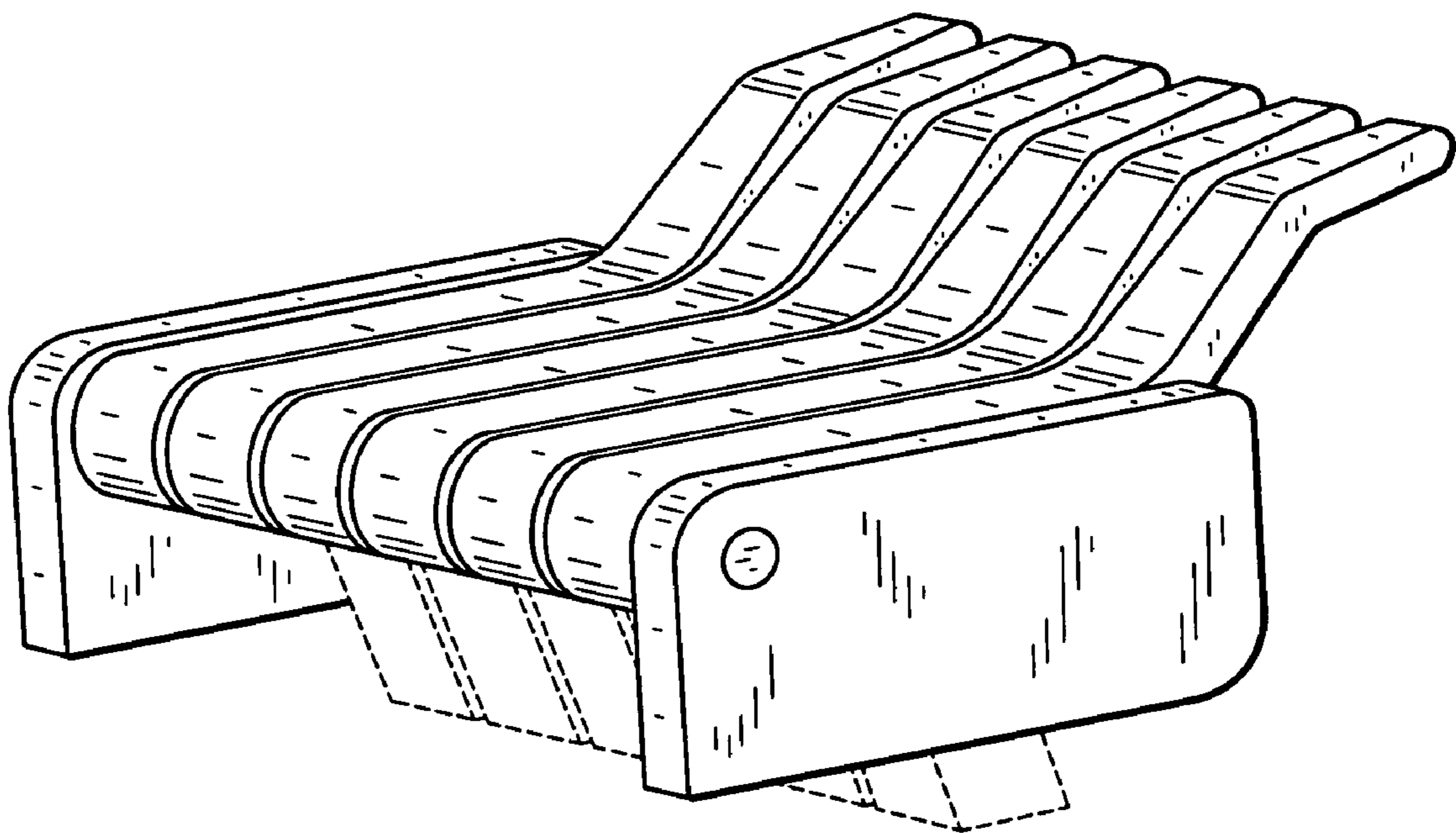


FIG. 2

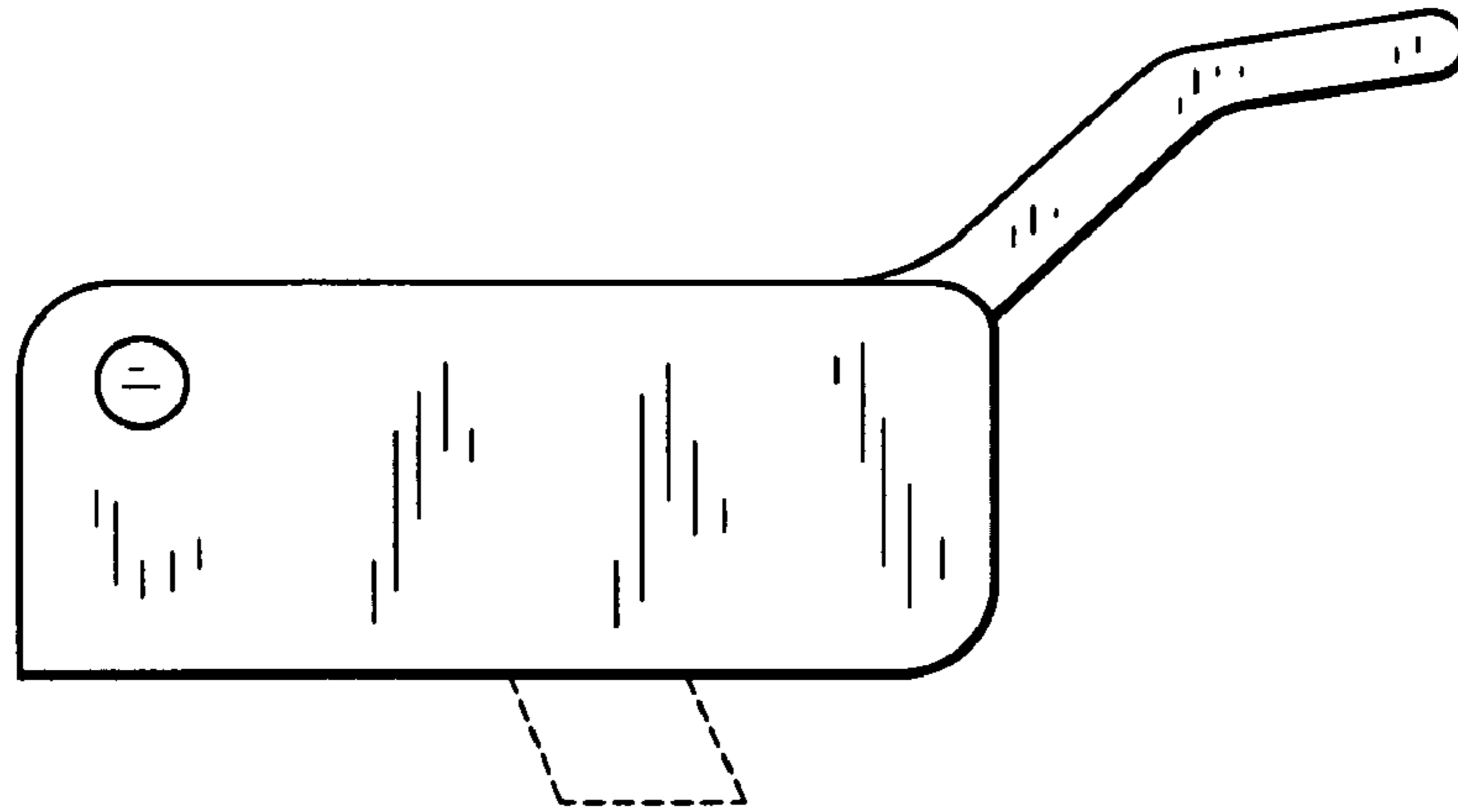


FIG. 3

