



US00D587737S

(12) **United States Design Patent**
Chan

(10) **Patent No.:** **US D587,737 S**
(45) **Date of Patent:** **** Mar. 3, 2009**

(54) **FILM-LOADING SHUTTER ASSEMBLY FOR CAMERA**

(76) Inventor: **Yet Chan**, Flat F, 20/F, CNT Tower, 338 Hennessy Road, Wanchai (HK)

(**) Term: **14 Years**

(21) Appl. No.: **29/285,831**

(22) Filed: **Apr. 12, 2007**

(51) **LOC (9) Cl.** **16-05**

(52) **U.S. Cl.** **D16/219**

(58) **Field of Classification Search** D16/134,
D16/219, 237; 396/180, 195, 449, 452
See application file for complete search history.

(56) **References Cited**

U.S. PATENT DOCUMENTS

D106,062	S	*	9/1937	Riddell	D16/219
2,439,087	A	*	4/1948	Harvey	396/452
3,162,108	A	*	12/1964	Knorr et al.	396/195
3,709,136	A	*	1/1973	Straub	396/195
6,418,278	B1	*	7/2002	Bittner	396/195

* cited by examiner

Primary Examiner—Adir Aronovich
(74) *Attorney, Agent, or Firm*—Renner, Kenner, Greive, Bobak, Taylor & Weber

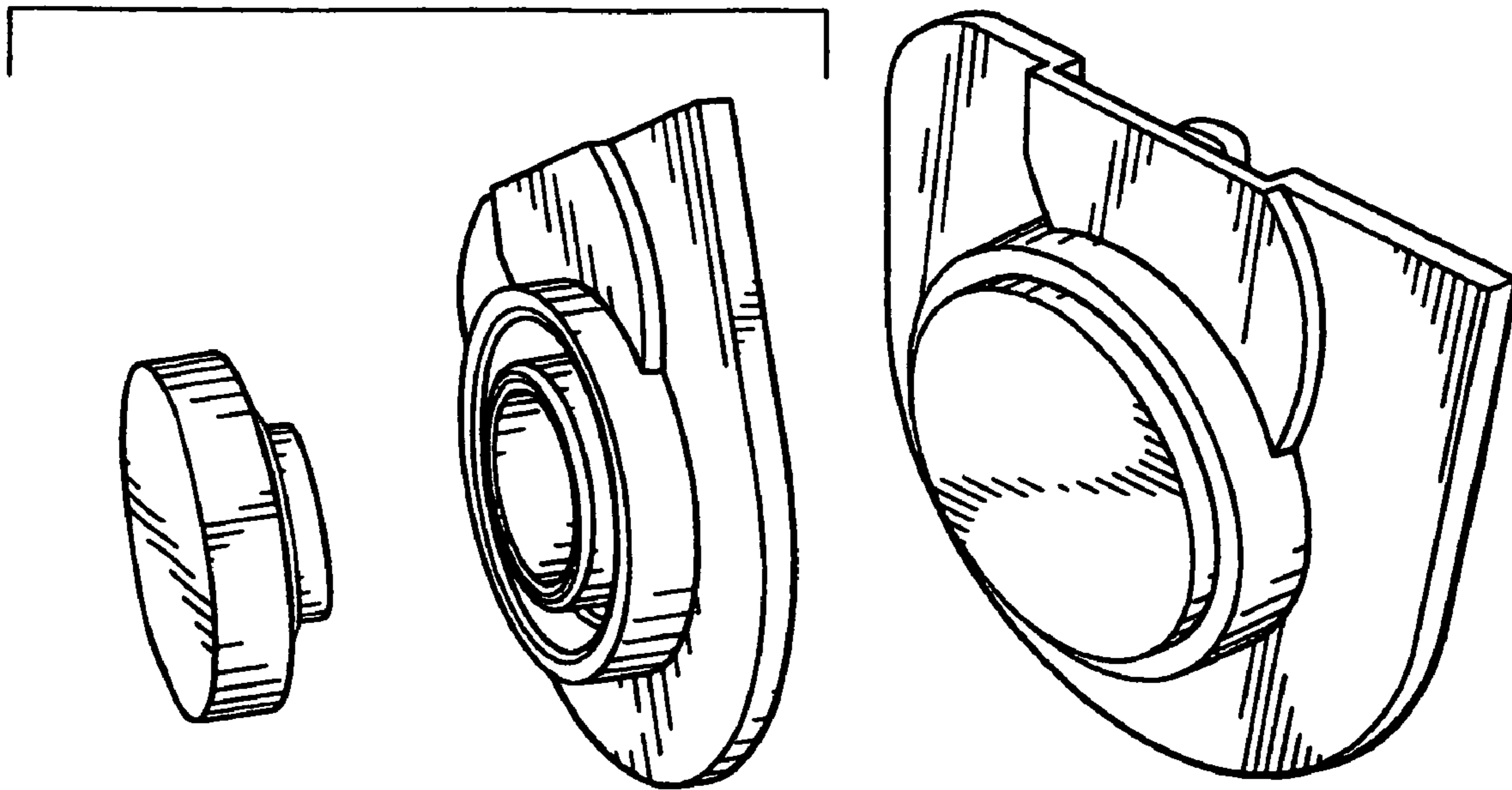
(57) **CLAIM**

The ornamental design for a film-loading shutter assembly for camera, as shown and described.

DESCRIPTION

FIG. 1 is an exploded front and right side perspective view of a film-loading shutter assembly with an end cap detached;
FIG. 2 is a front and right side perspective view thereof, with an end cap detached;
FIG. 3 is a rear perspective view thereof;
FIG. 4 is a top plan view thereof;
FIG. 5 is a left side elevational view thereof;
FIG. 6 is a front elevational view thereof;
FIG. 7 is a right side elevational view thereof;
FIG. 8 is a rear elevational view thereof; and,
FIG. 9 is a bottom plan view thereof.

1 Claim, 2 Drawing Sheets



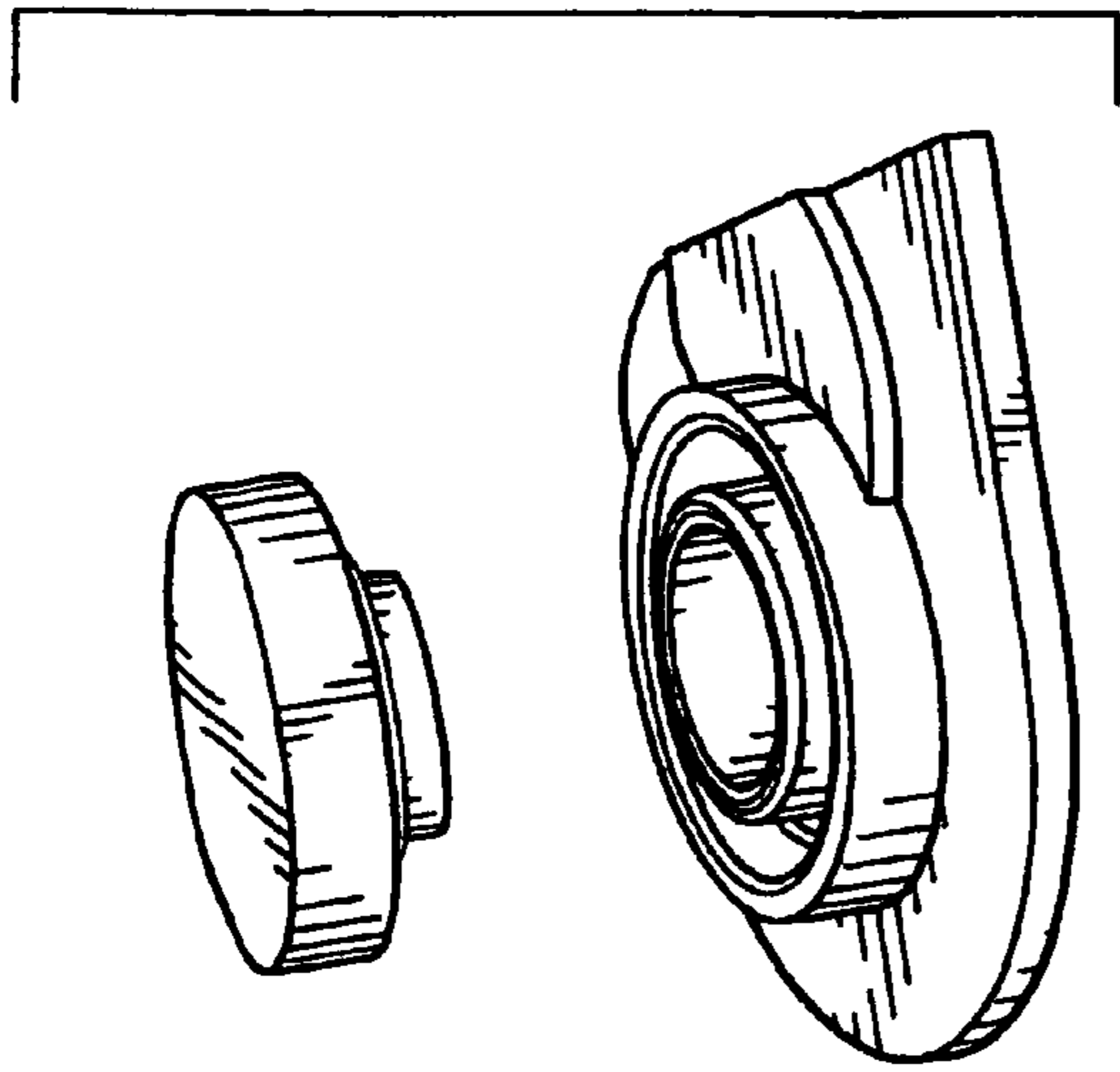


Fig.1

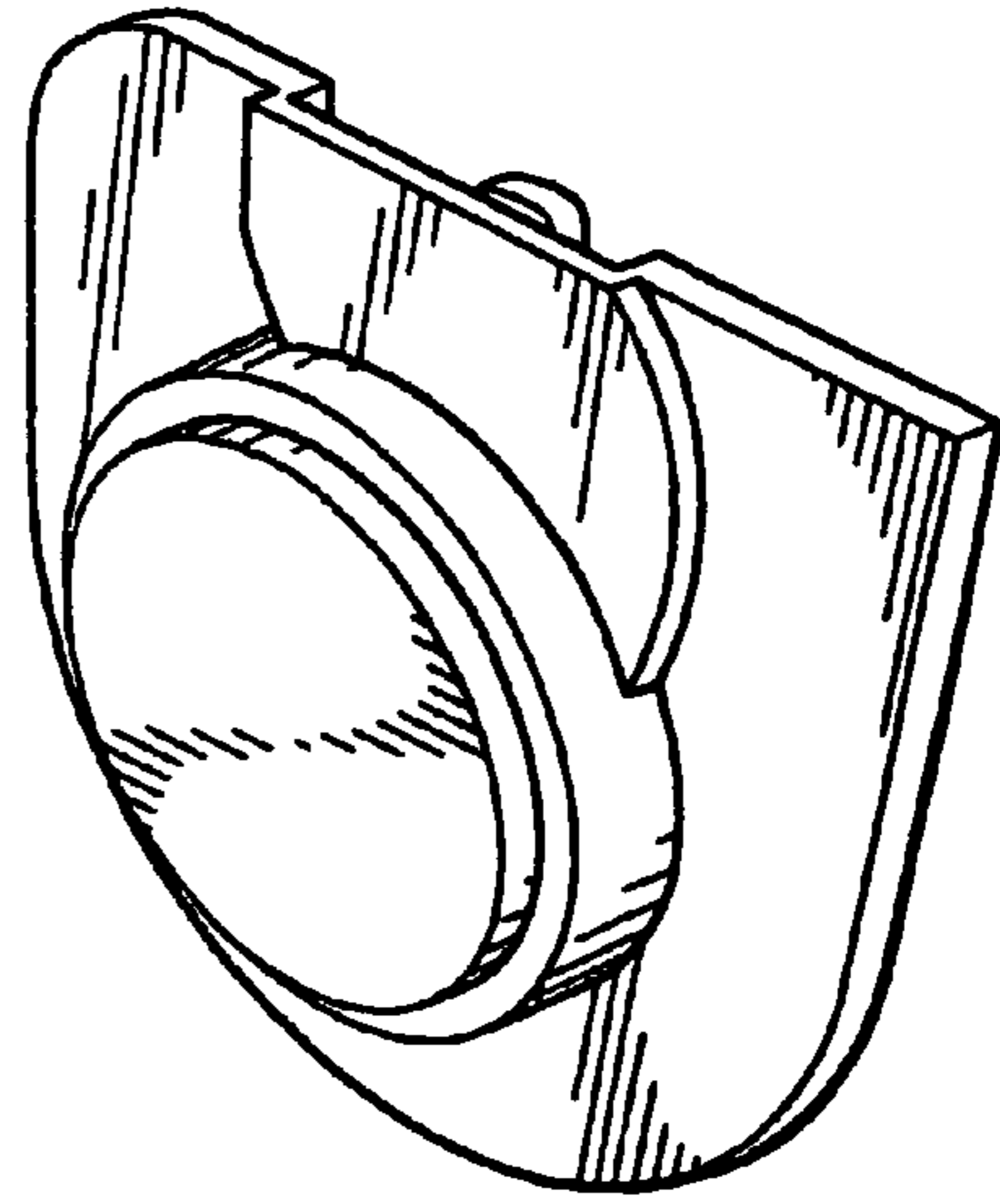


Fig.2

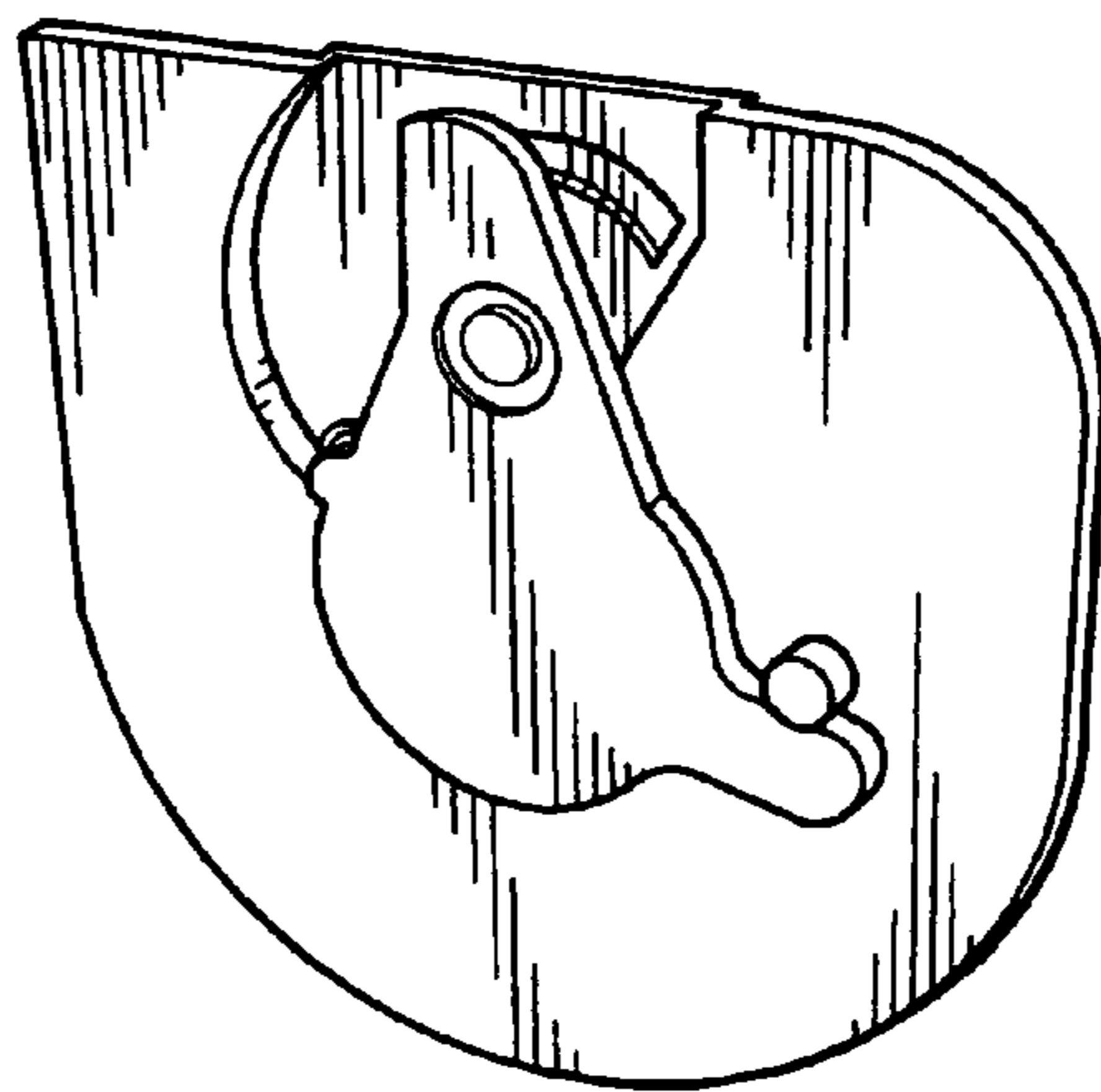


Fig.3

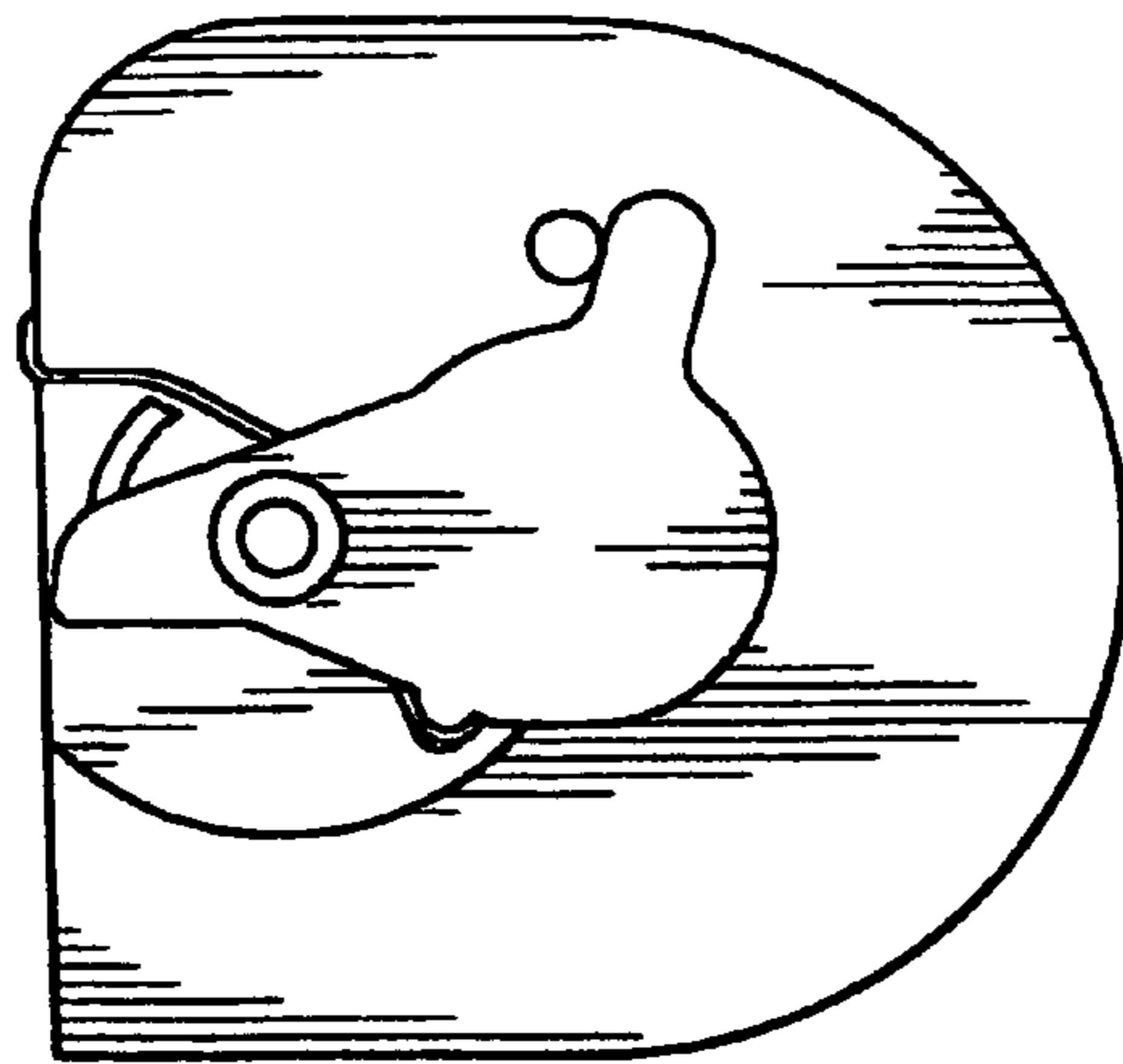


Fig.8

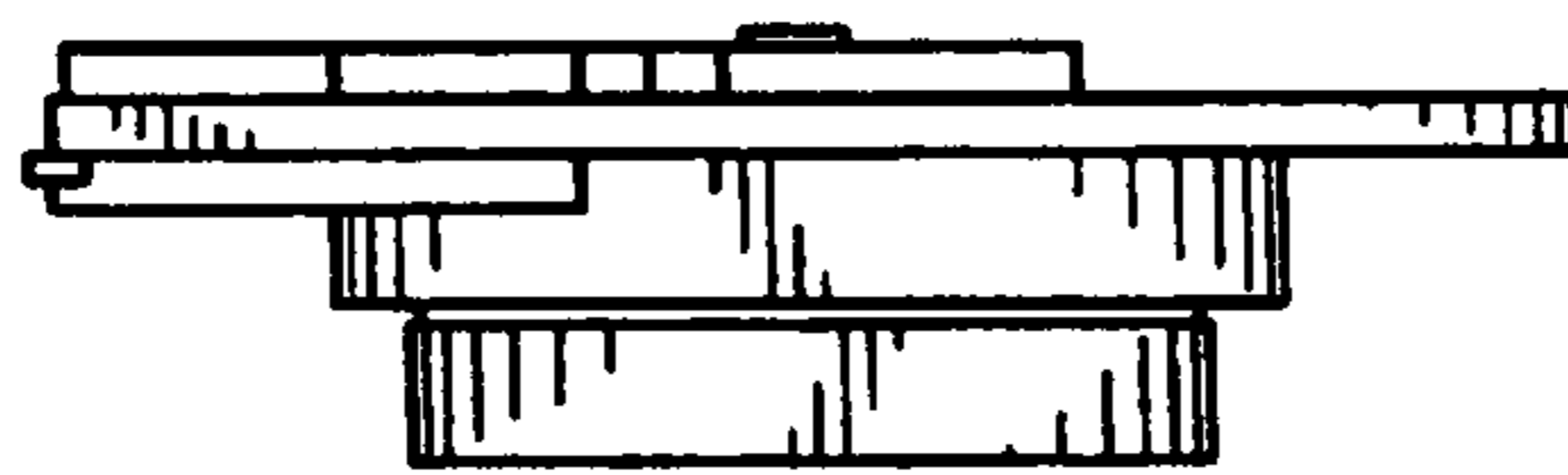


Fig.7

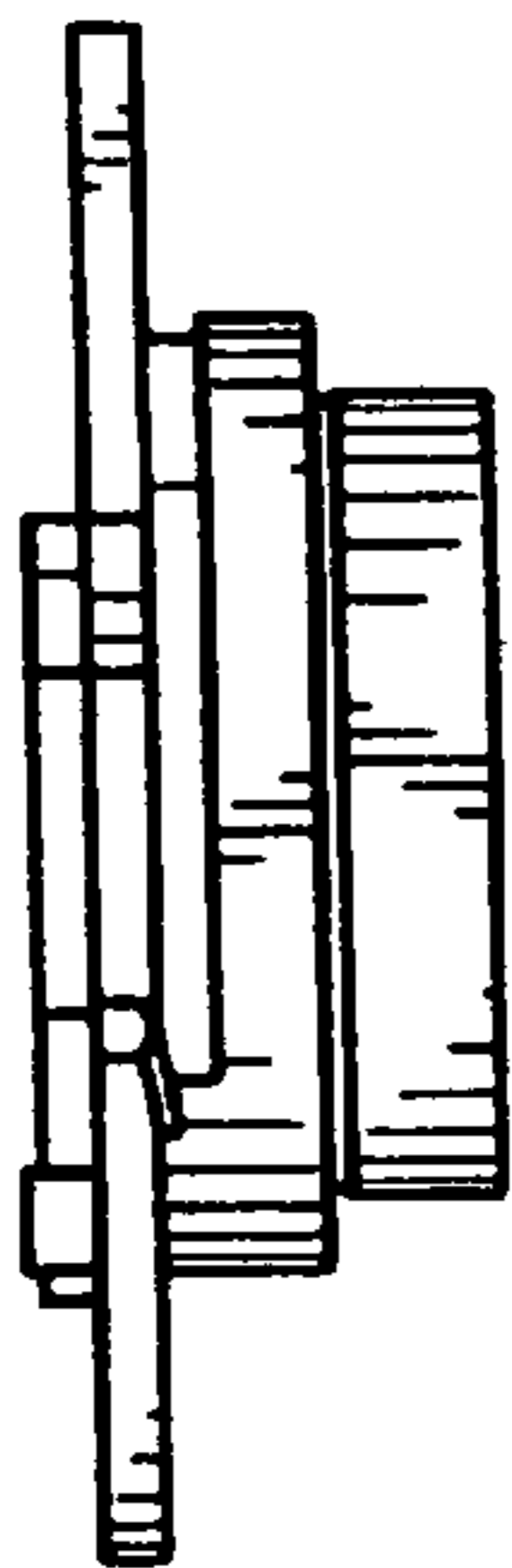


Fig.4

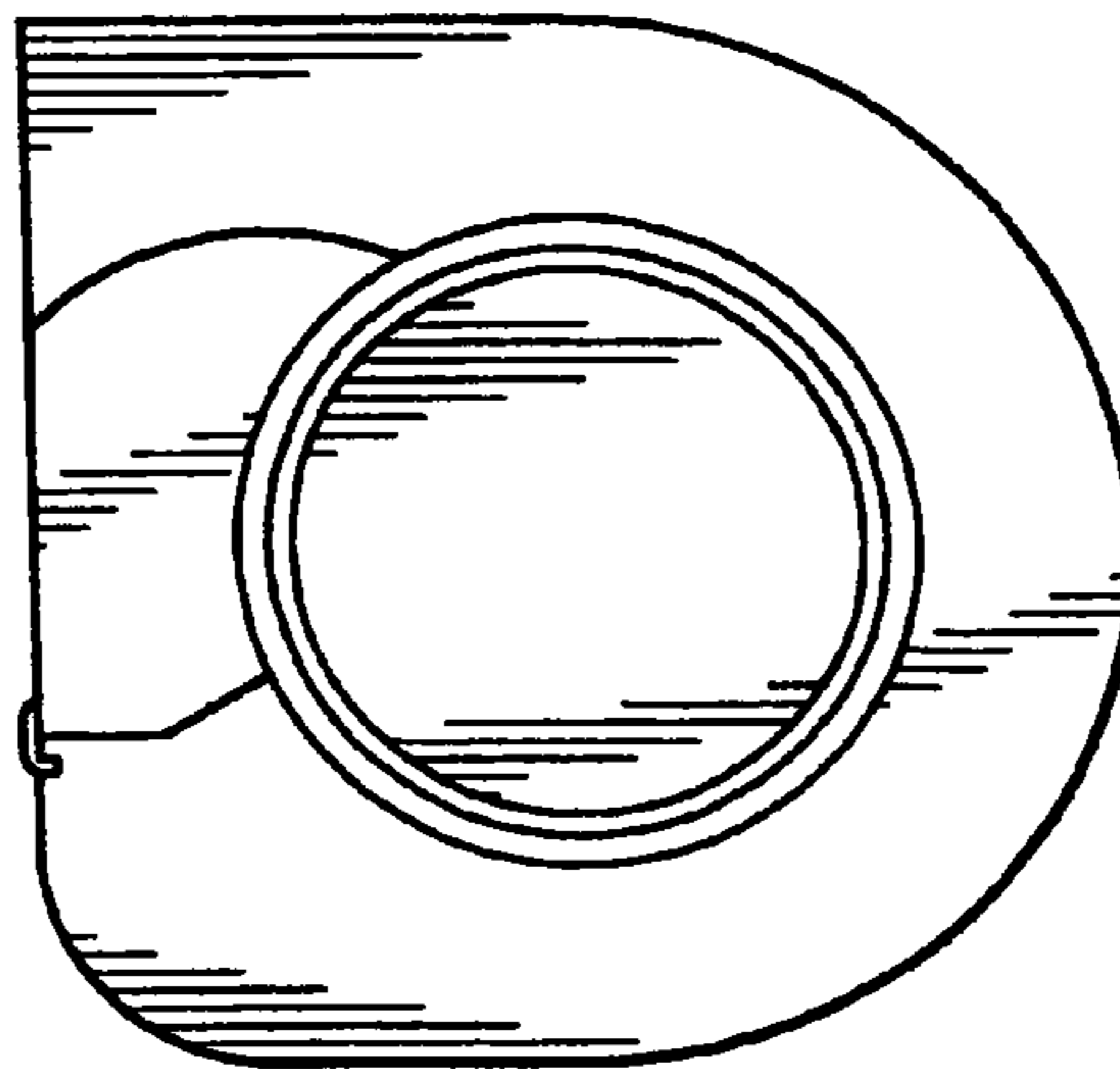


Fig.6

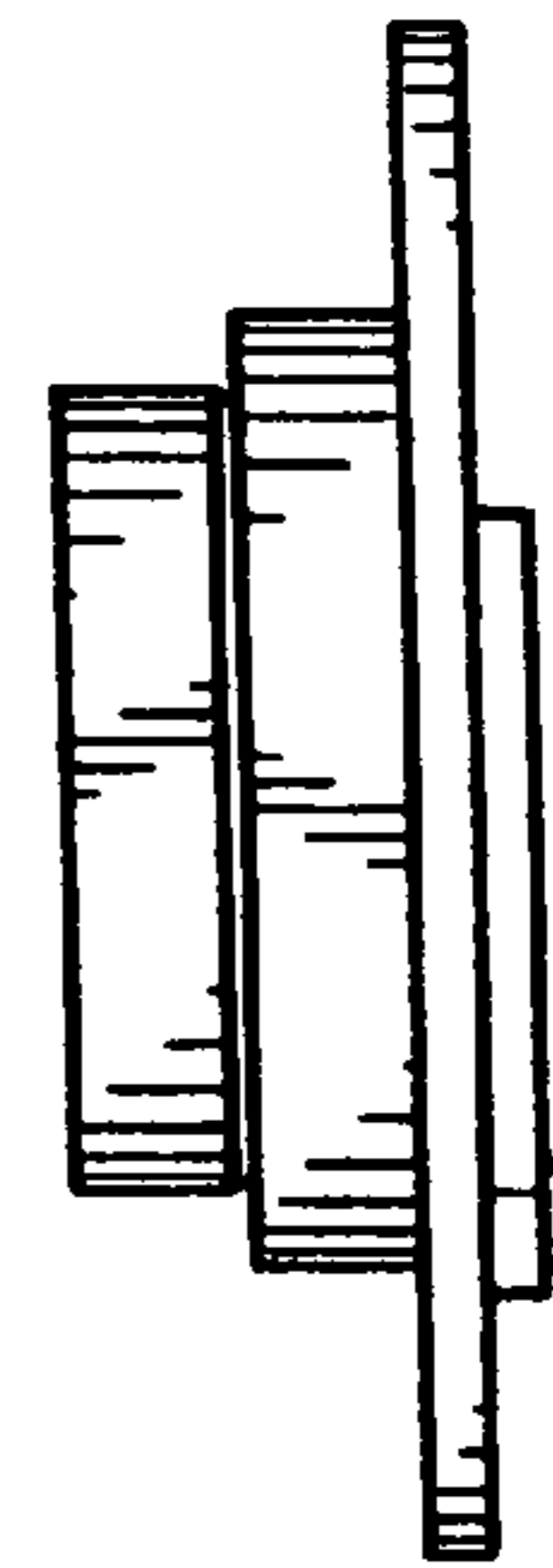


Fig.9



Fig.5