



US00D587736S

(12) **United States Design Patent**
Yamane et al.

(10) **Patent No.:** **US D587,736 S**
(45) **Date of Patent:** **** Mar. 3, 2009**

(54) **TV CAMERA**

(75) Inventors: **Akira Yamane**, Nagoya (JP); **Eiji Sugiyama**, Nagoya (JP); **Tetsuro Kato**, Nagoya (JP)

(73) Assignee: **Elmo Company Limited** (JP)

(**) Term: **14 Years**

(21) Appl. No.: **29/298,214**

(22) Filed: **Nov. 30, 2007**

Related U.S. Application Data

(63) Continuation-in-part of application No. 29/277,474, filed on Feb. 27, 2007, now Pat. No. Des. 566,742.

(30) **Foreign Application Priority Data**

Aug. 31, 2006 (JP) 2006-023226

(51) **LOC (9) Cl.** **16-01**

(52) **U.S. Cl.** **D16/217; D16/202**

(58) **Field of Classification Search** D16/200–206,
D16/208, 218–219; D14/168; D21/514;
348/373–376; 396/427, 535–541

See application file for complete search history.

(56) **References Cited**

U.S. PATENT DOCUMENTS

D340,253 S	*	10/1993	Fedorczak	D16/203
D375,970 S	*	11/1996	Harata	D16/225
D378,096 S		2/1997	Harada		
D402,677 S		12/1998	Hiraguchi		
D426,249 S	*	6/2000	Tsujimoto	D16/202
D430,587 S	*	9/2000	Summit	D16/202
D458,621 S		6/2002	Kawashima		
D478,108 S	*	8/2003	Miyazaki	D16/202
D487,765 S		3/2004	Adachi et al.		
D502,196 S	*	2/2005	Miyazaki	D16/202
D517,585 S		3/2006	Iino et al.		
D527,405 S		8/2006	Kim et al.		

D542,319 S		5/2007	Ishida et al.		
D550,738 S		9/2007	Hsia		
D565,621 S	*	4/2008	Yamane et al.	D16/202
2008/0012980 A1	*	1/2008	Yamane et al.	348/373
2008/0013944 A1	*	1/2008	Yamane et al.	396/427

* cited by examiner

Primary Examiner—Ian Simmons

Assistant Examiner—Wan Laymon

(74) *Attorney, Agent, or Firm*—Ostrolenk, Faber, Gerb & Soffen, LLP

(57) **CLAIM**

The ornamental design for a TV camera, as shown and described.

DESCRIPTION

FIG. 1 is a perspective view of the TV camera embodying our new design;

FIG. 2 is a front view thereof;

FIG. 3 is a top plan view thereof;

FIG. 4 is a right side view thereof;

FIG. 5 is a left side view thereof;

FIG. 6 is a rear view thereof;

FIG. 7 is a bottom side view thereof;

FIG. 8 is a perspective view corresponding to FIG. 1 showing the camera tilted to be in the highest position;

FIG. 9 is a perspective view showing the camera tilted to be in the lowest position thereof;

FIG. 10 is a perspective view showing the camera panned to one side thereof; and,

FIG. 11 is a perspective view corresponding to FIG. 1 showing the camera panned to the other side thereof.

The broken lines showing the base throughout the views represent the portion of the TV Camera that forms no part of the claimed design.

1 Claim, 11 Drawing Sheets

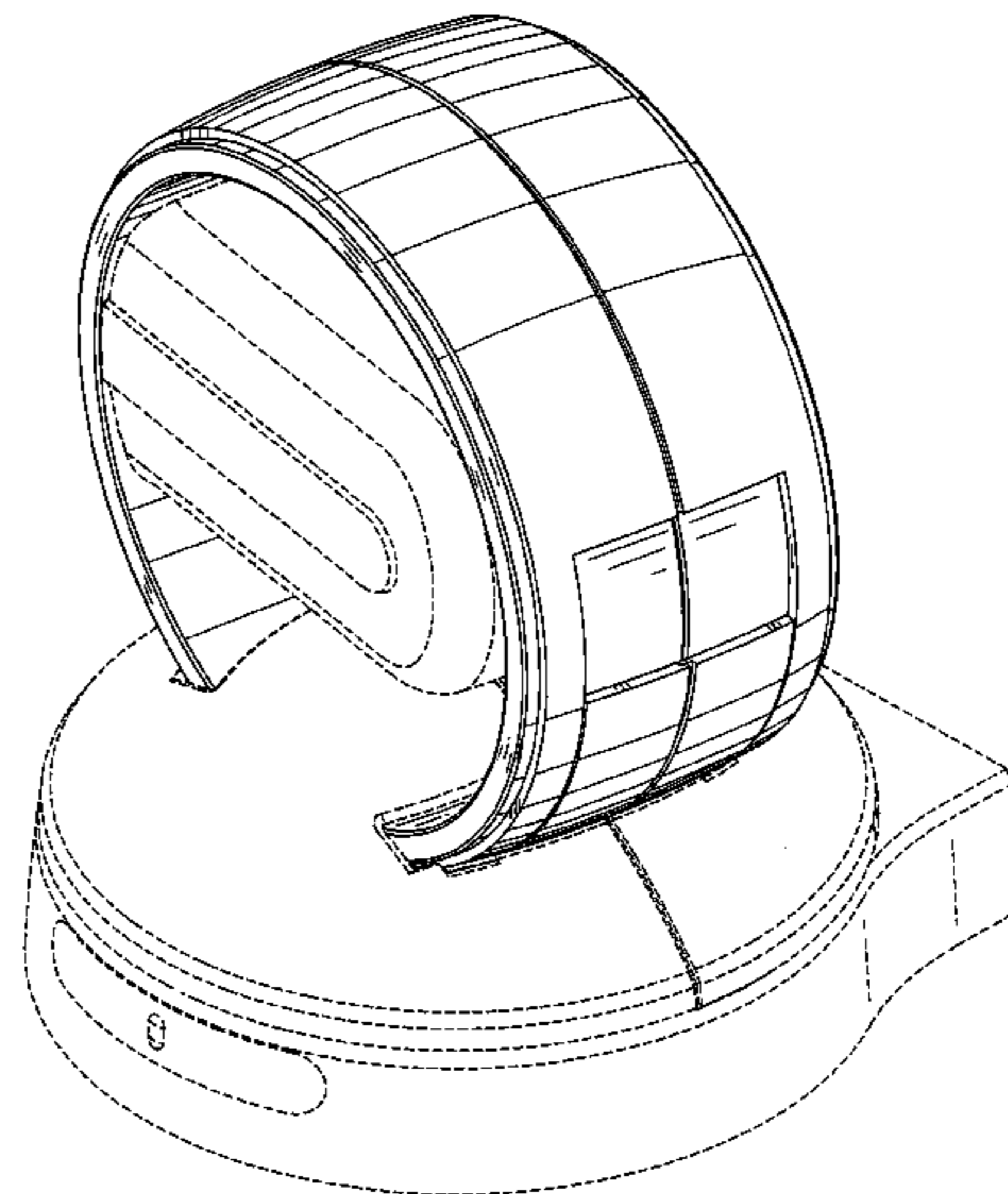
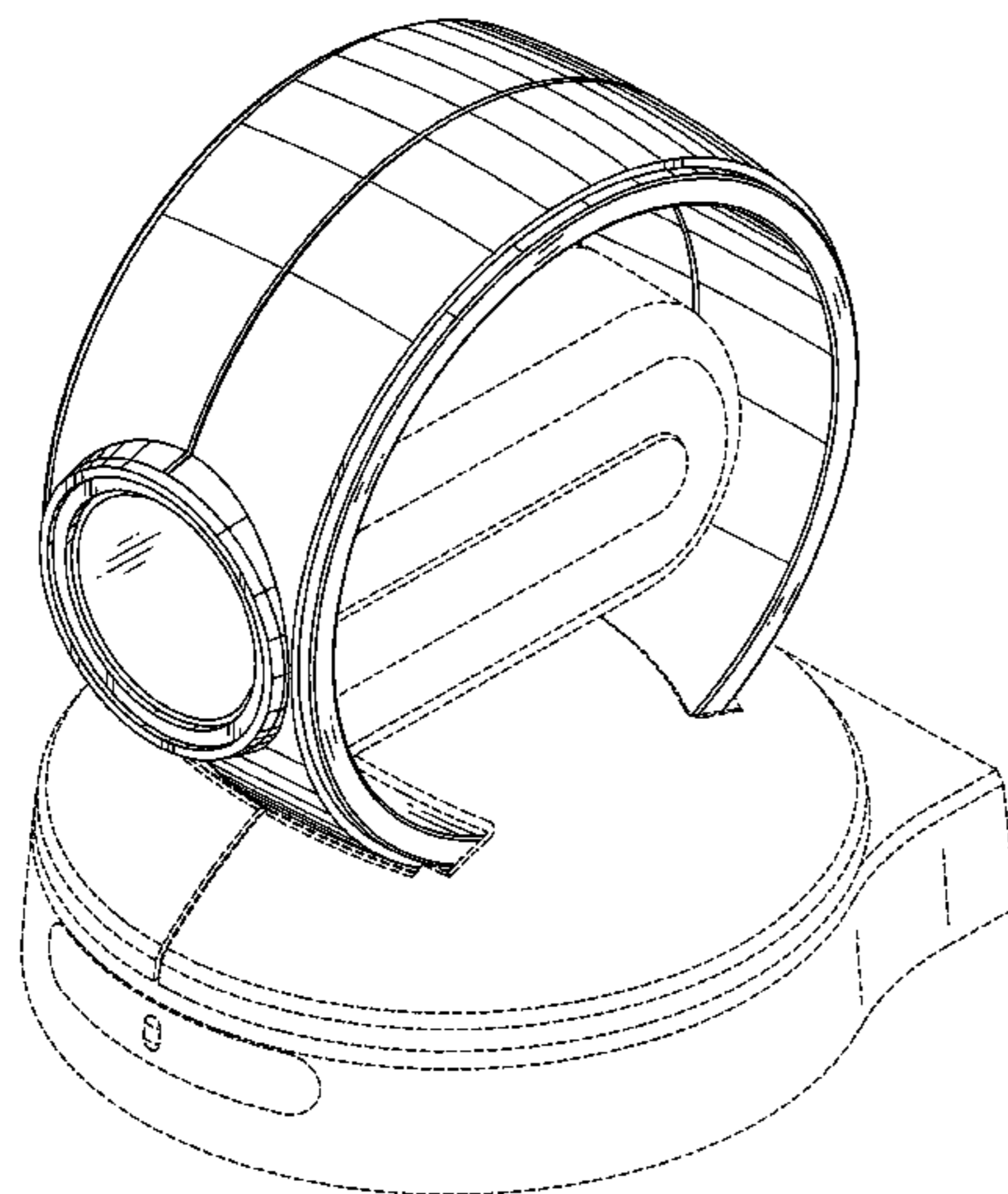


Fig.1

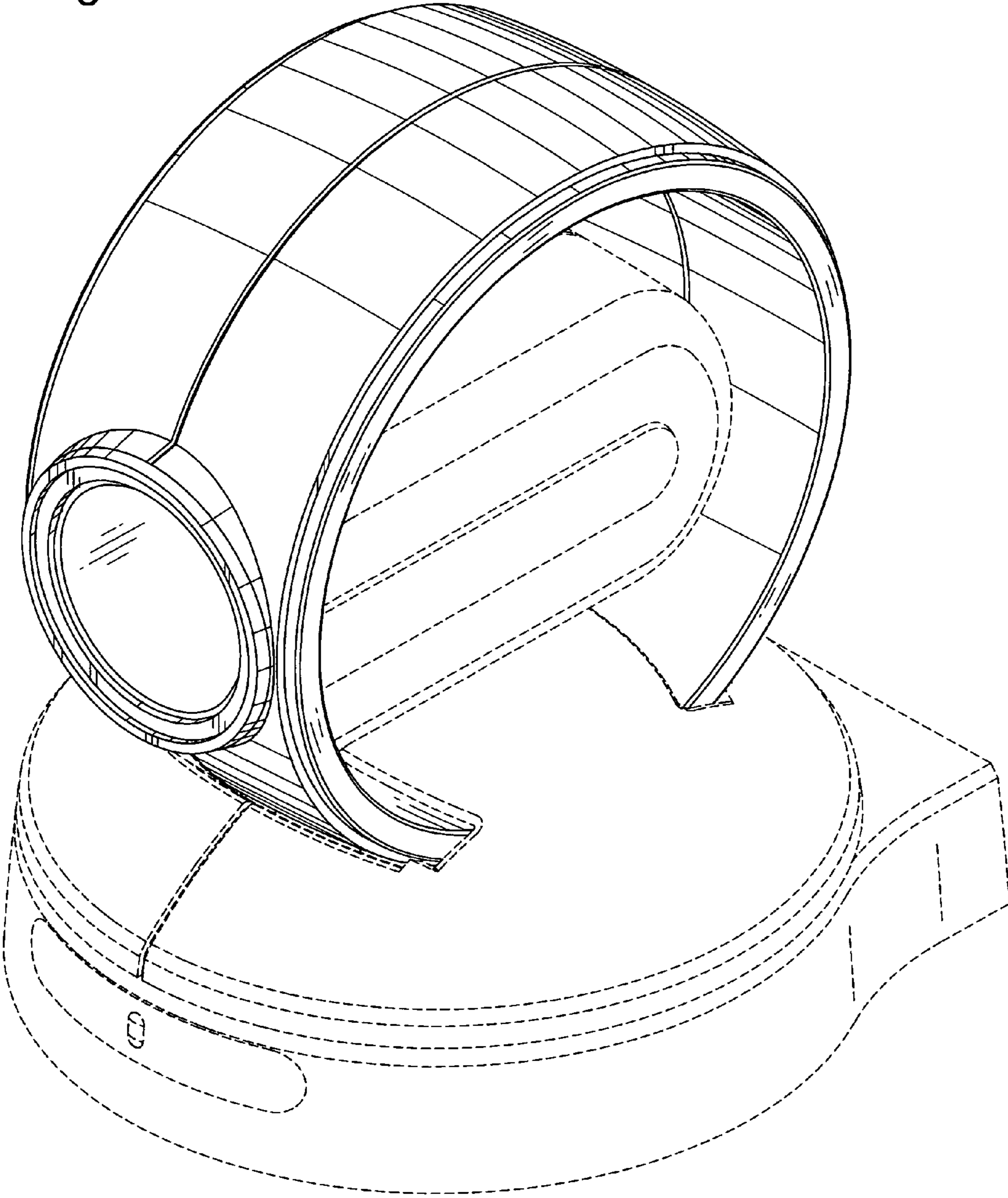


Fig.2

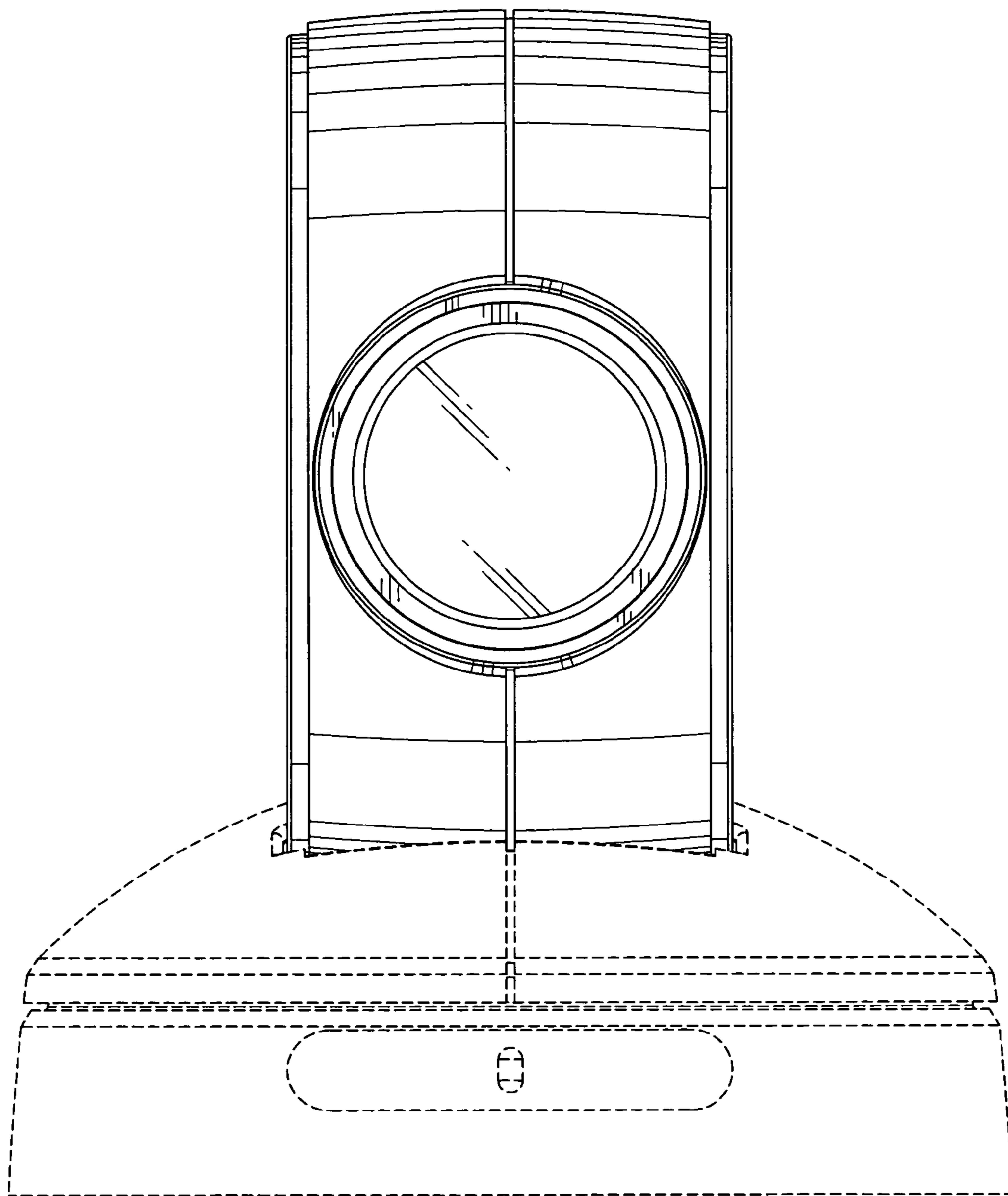


Fig.3

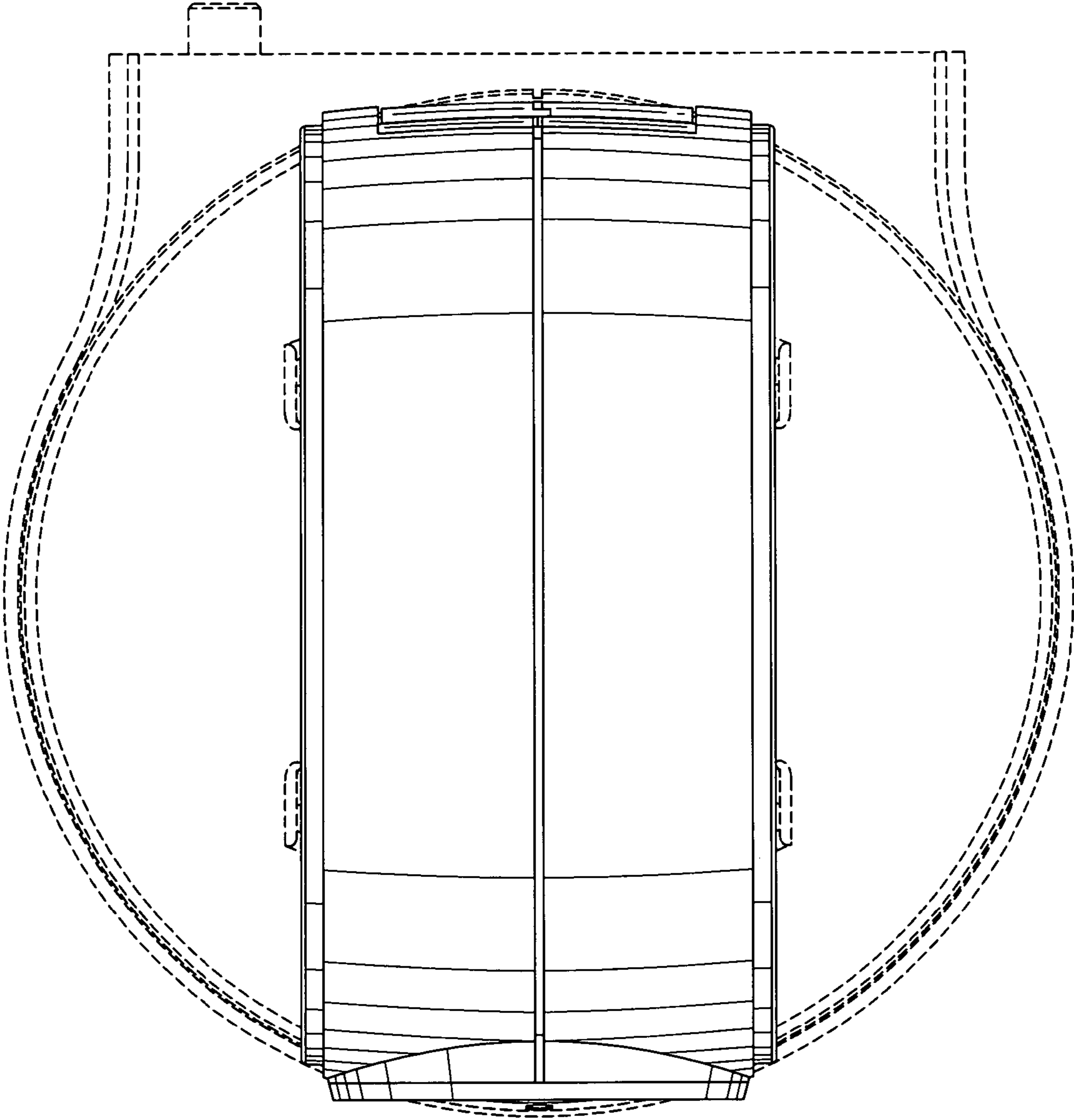


Fig.4

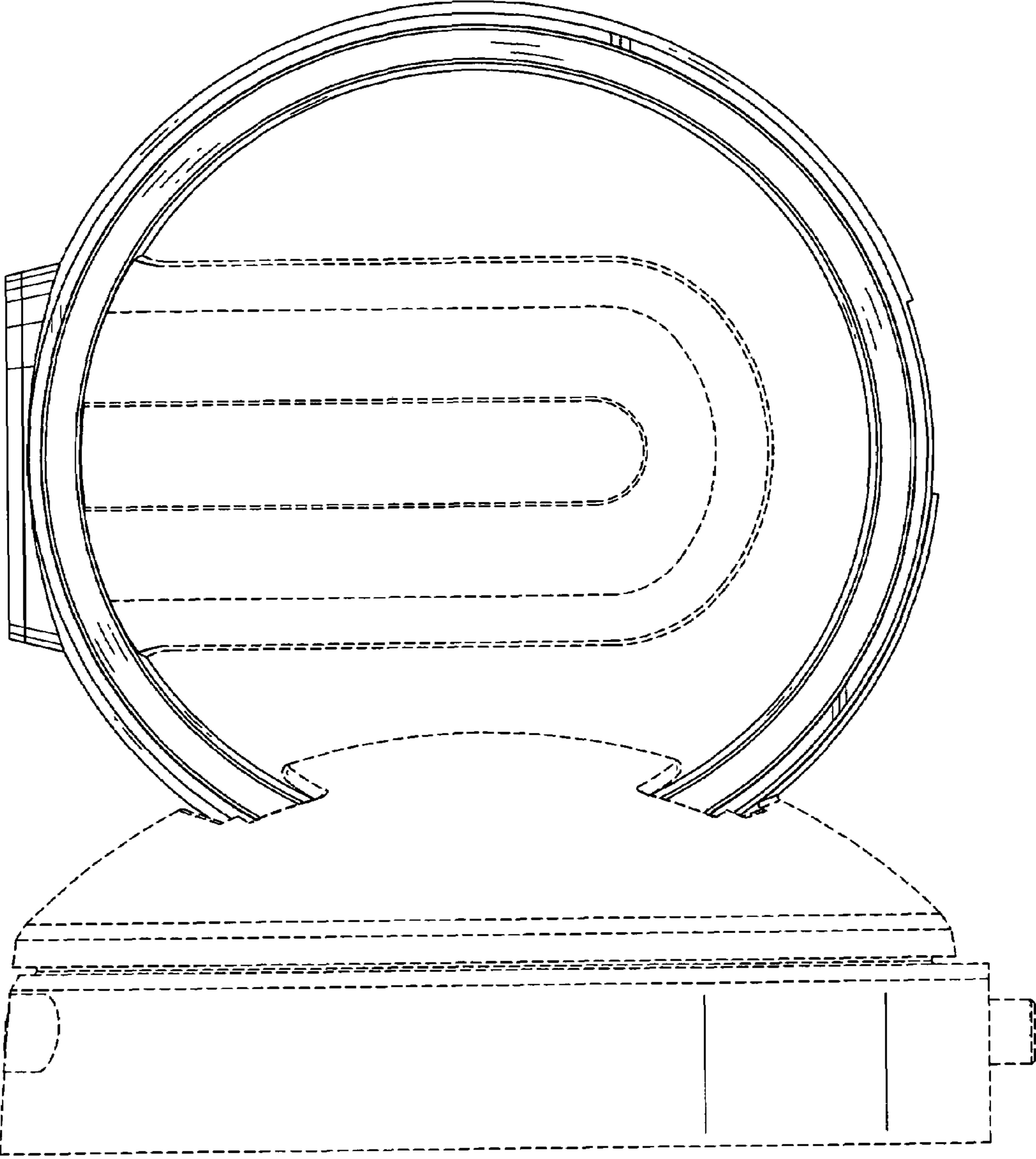


Fig.5

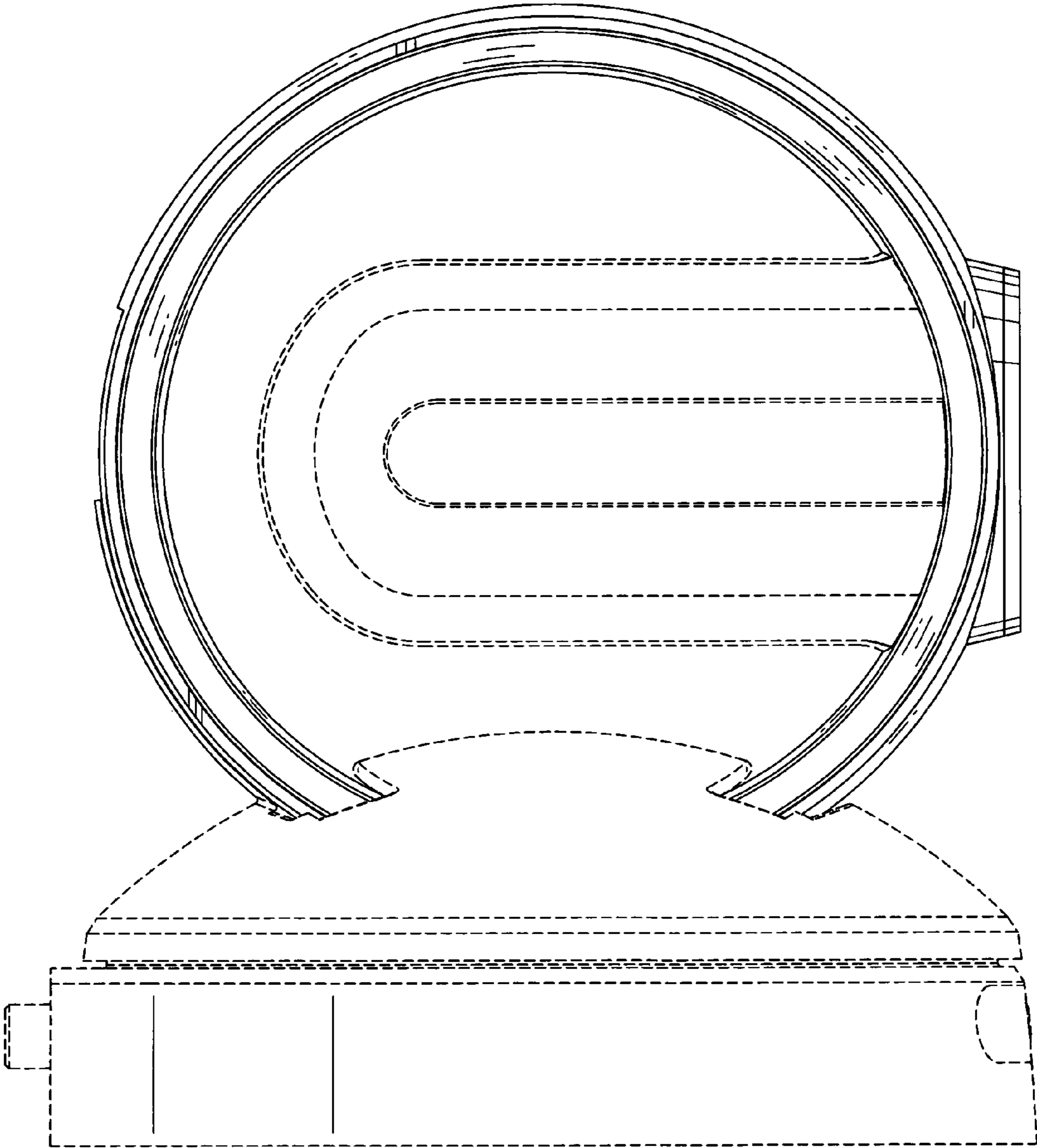


Fig.6

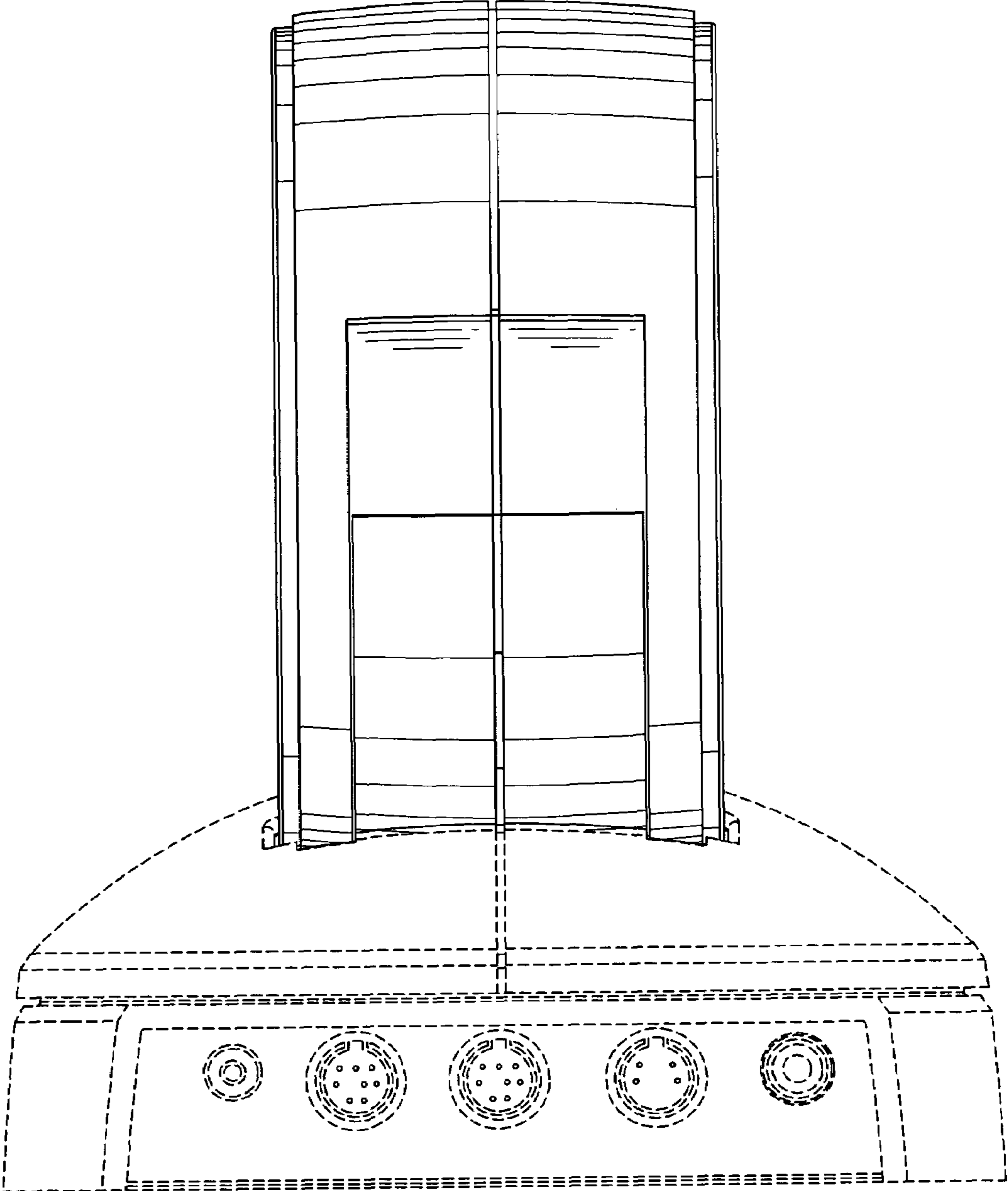


Fig.7

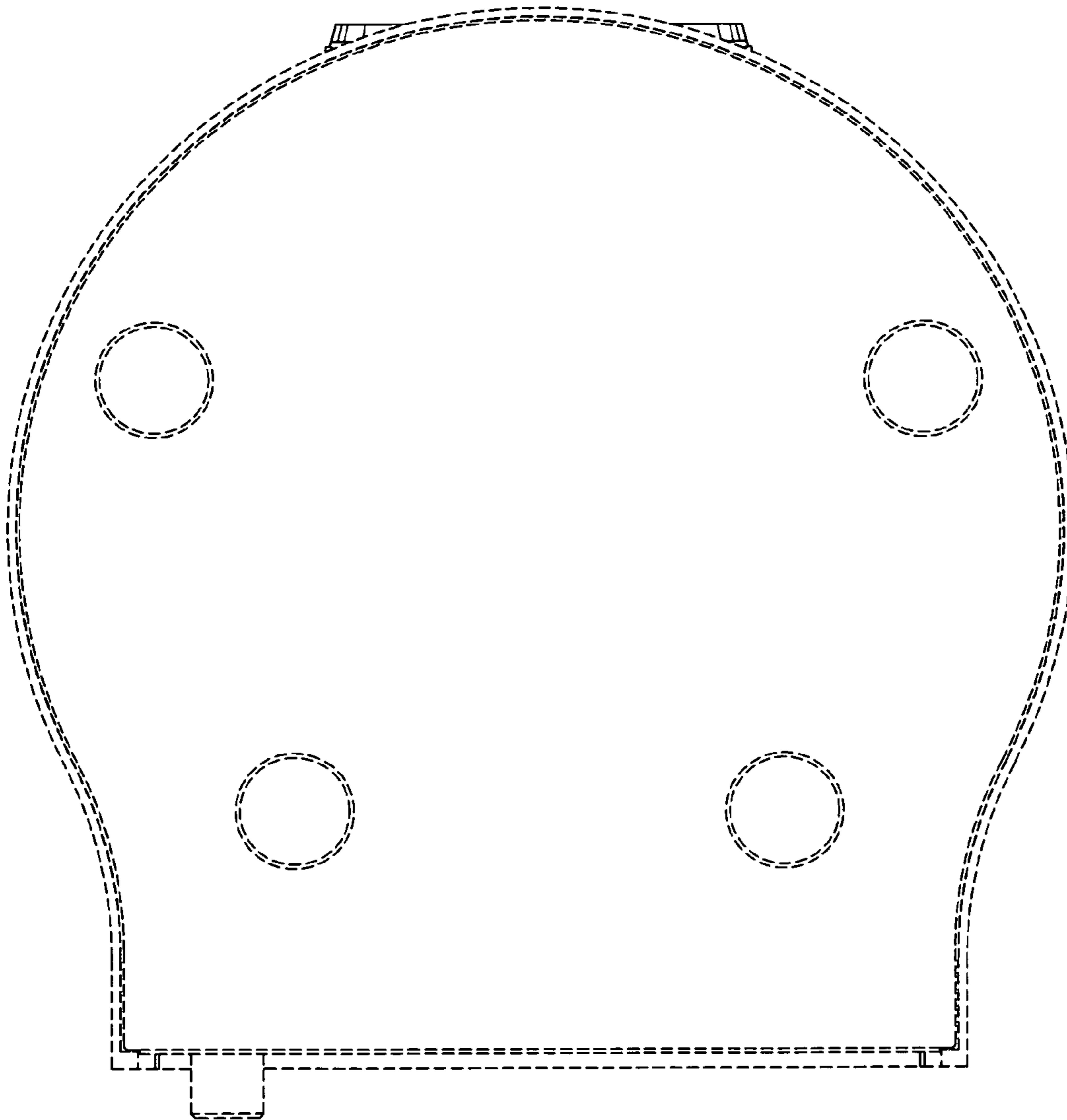


Fig.8

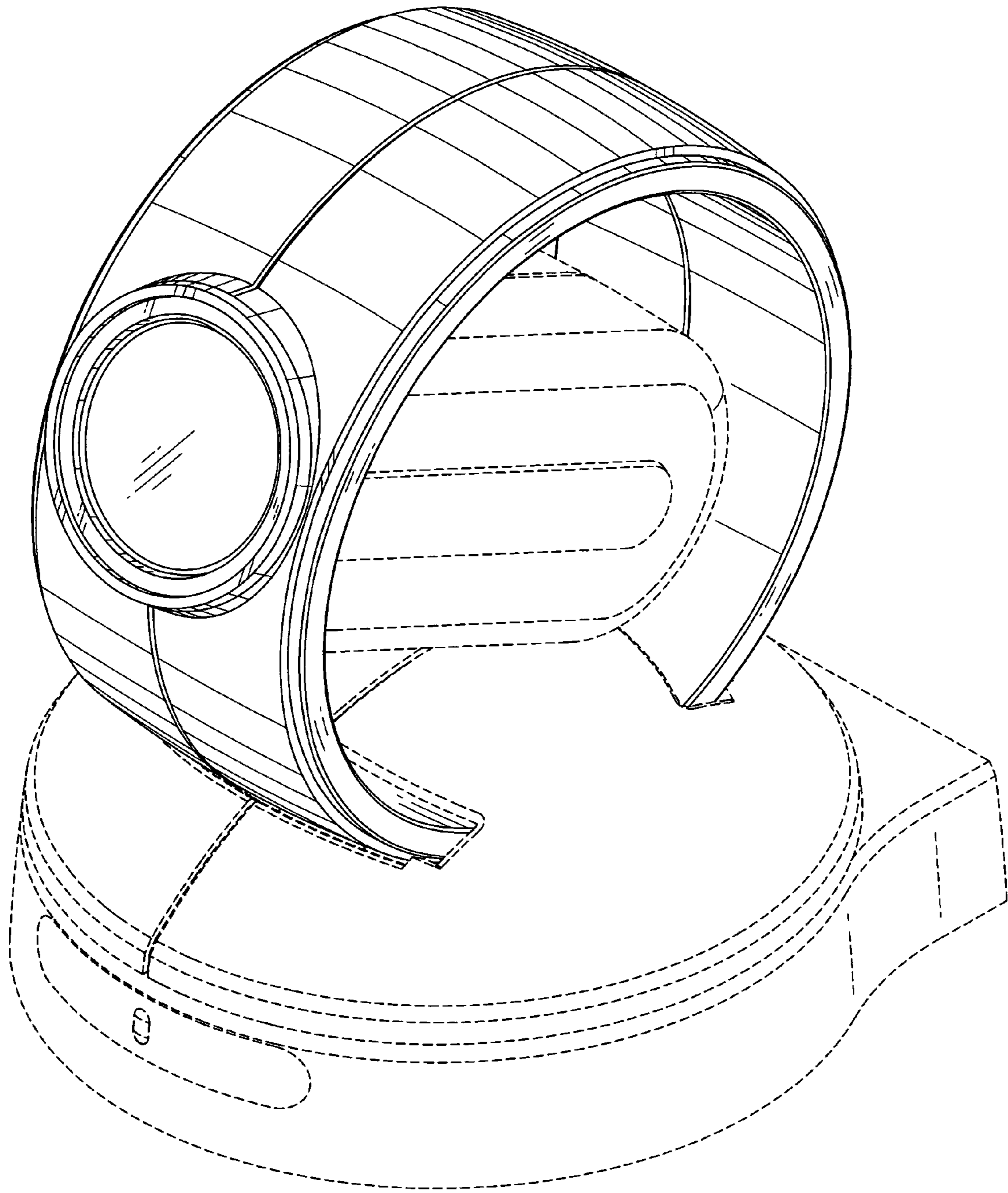


Fig.9

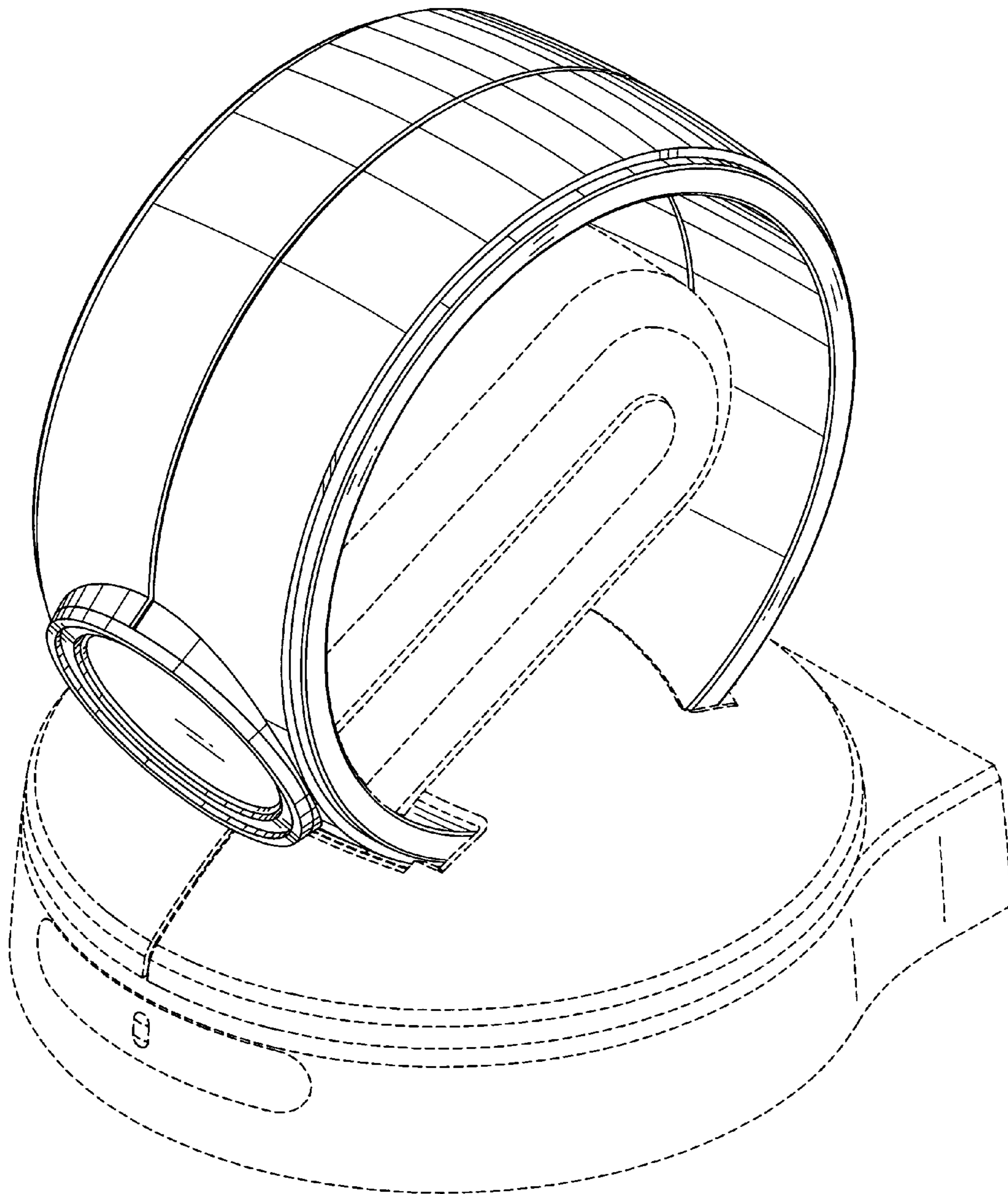


Fig.10

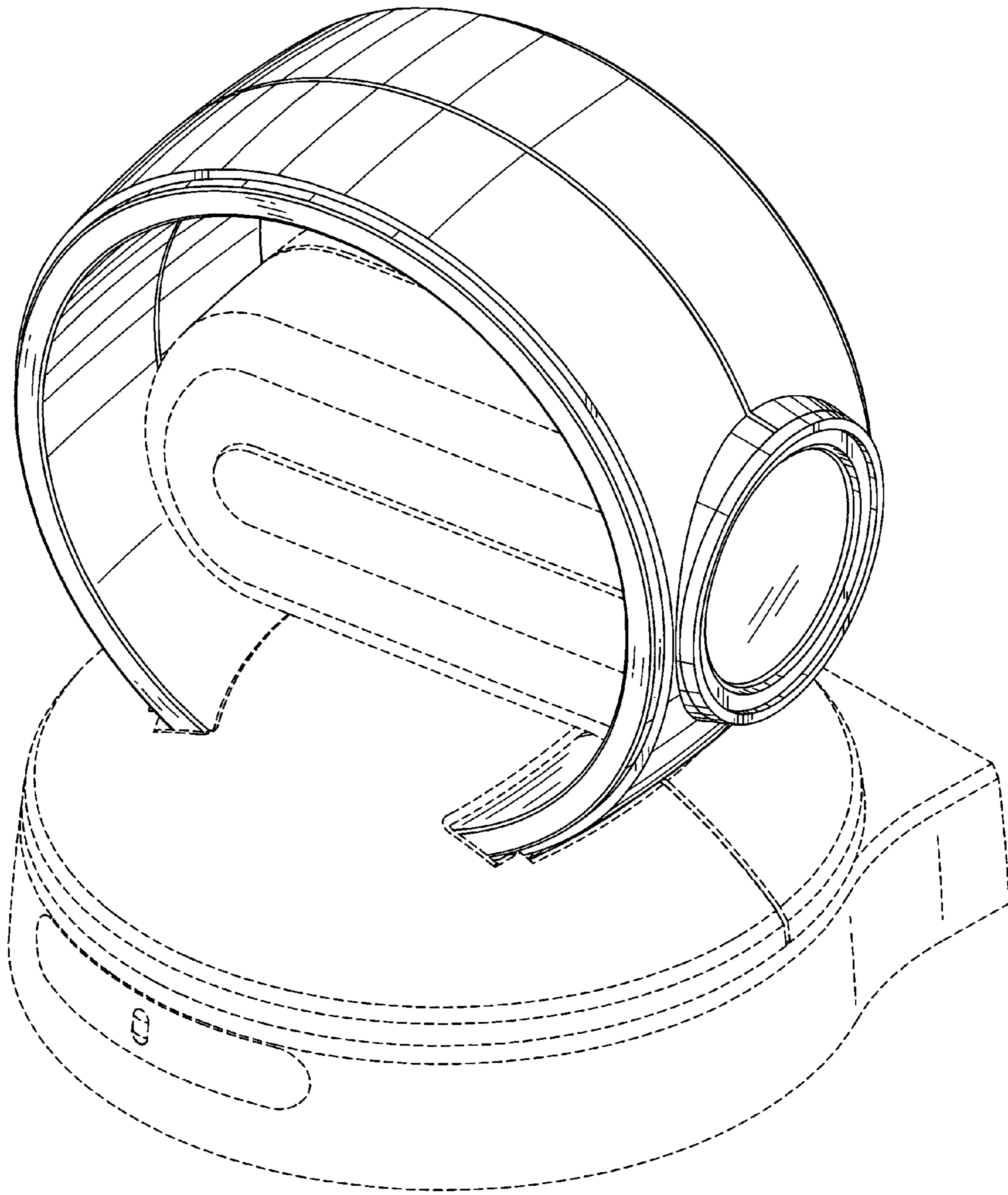


Fig.11

