



US00D587734S

(12) **United States Design Patent**  
**Favale**

(10) **Patent No.:** **US D587,734 S**  
(45) **Date of Patent:** **\*\* Mar. 3, 2009**

(54) **TABLETOP SEALING DEVICE**

(76) **Inventor:** **Dennis Favale**, 3003 Hirsch St., Melrose Park, IL (US) 60160

(\*\*) **Term:** **14 Years**

(21) **Appl. No.:** **29/294,315**

(22) **Filed:** **Jan. 7, 2008**

(51) **LOC (9) Cl.** ..... **15-09**

(52) **U.S. Cl.** ..... **D15/146**

(58) **Field of Classification Search** ..... D15/145,  
D15/146; D18/50, 54; 53/258, 260, 284.7,  
53/373.2-373.8, 405, 432, 433, 434, 526,  
53/529, 570-572, 579; 355/93, 94; 400/613,  
400/613.1-613.4, 691-694  
See application file for complete search history.

(56) **References Cited**

**U.S. PATENT DOCUMENTS**

D250,340	S	*	11/1978	Douglas	.....	D15/146
4,536,085	A	*	8/1985	Hliboki et al.	.....	355/93
D301,238	S	*	5/1989	Makihara	.....	D15/146
D340,730	S	*	10/1993	Myers	.....	D15/146
D340,937	S	*	11/1993	Seger et al.	.....	D15/146
5,352,323	A	*	10/1994	Chi	.....	156/583.9
D364,414	S	*	11/1995	Yashimoto	.....	D15/145
D442,198	S	*	5/2001	Yamashita	.....	D15/145
D470,159	S	*	2/2003	Robinson	.....	D15/145
D561,792	S	*	2/2008	Johnson	.....	D15/146

\* cited by examiner

*Primary Examiner*—Sandra Snapp

*Assistant Examiner*—Patricia Palasik

(74) *Attorney, Agent, or Firm*—Basil E. Demeur; Alan B. Samlan; David J. Hurley

(57) **CLAIM**

I claim the ornamental design for a tabletop sealing device, as shown and described.

**DESCRIPTION**

FIG. 1 is a perspective view of a tabletop sealing device with the sealing arm in the down position;

FIG. 2 is a top view showing the tabletop sealing device;

FIG. 3 is a front elevational view showing the tabletop sealing device;

FIG. 4 is a side elevational view showing the tabletop sealing device;

FIG. 5 is a side elevational view of the opposed side showing the tabletop sealing device;

FIG. 6 is a rear elevational view showing the tabletop sealing device;

FIG. 7 is a bottom view showing the tabletop sealing device; and,

FIG. 8 is a perspective view showing the tabletop sealing device with the sealing arm in the raised position;

Portions of the tabletop sealing device shown in broken lines in the figures are for illustrative purposes only and form no part of the claimed design.

**1 Claim, 5 Drawing Sheets**

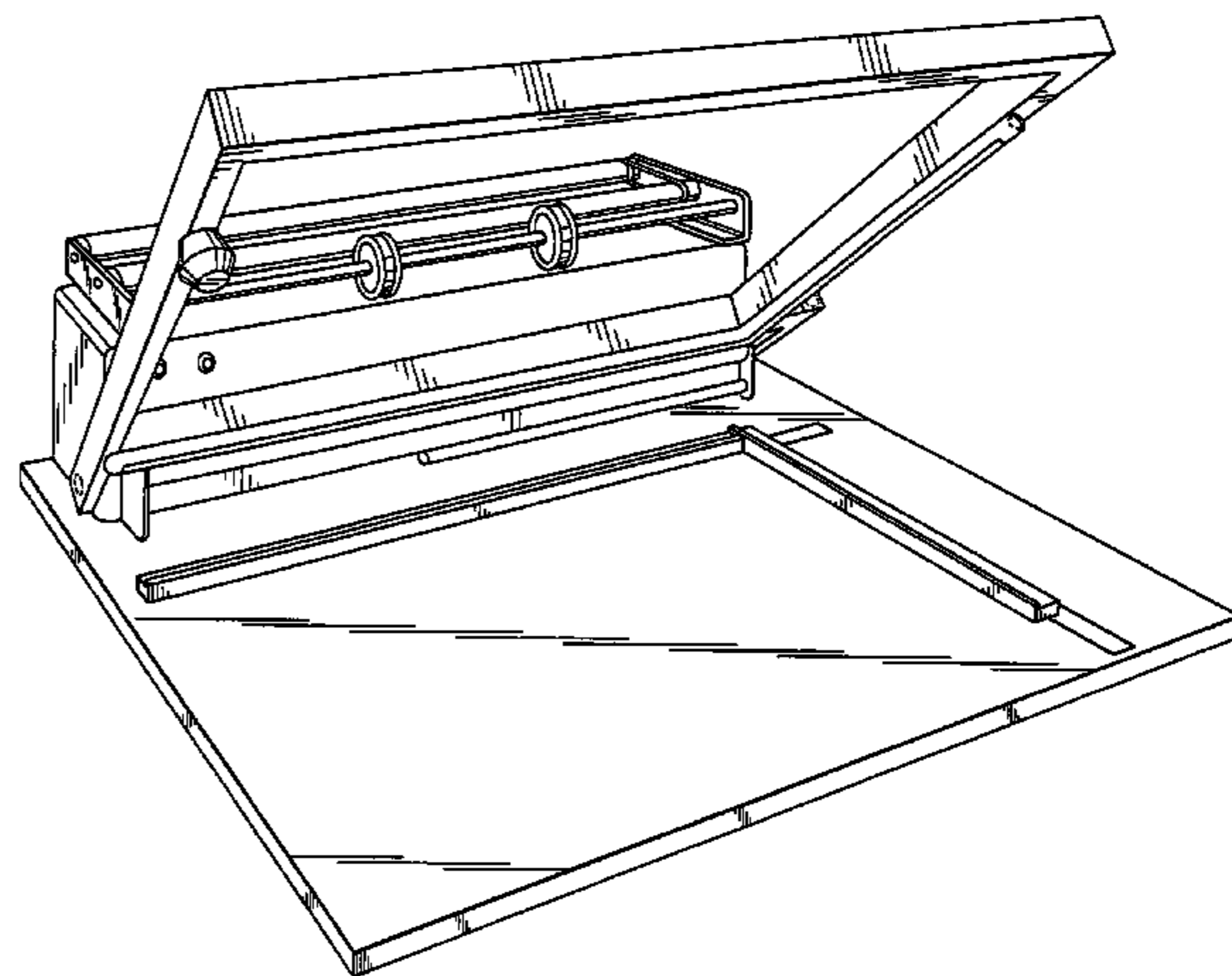
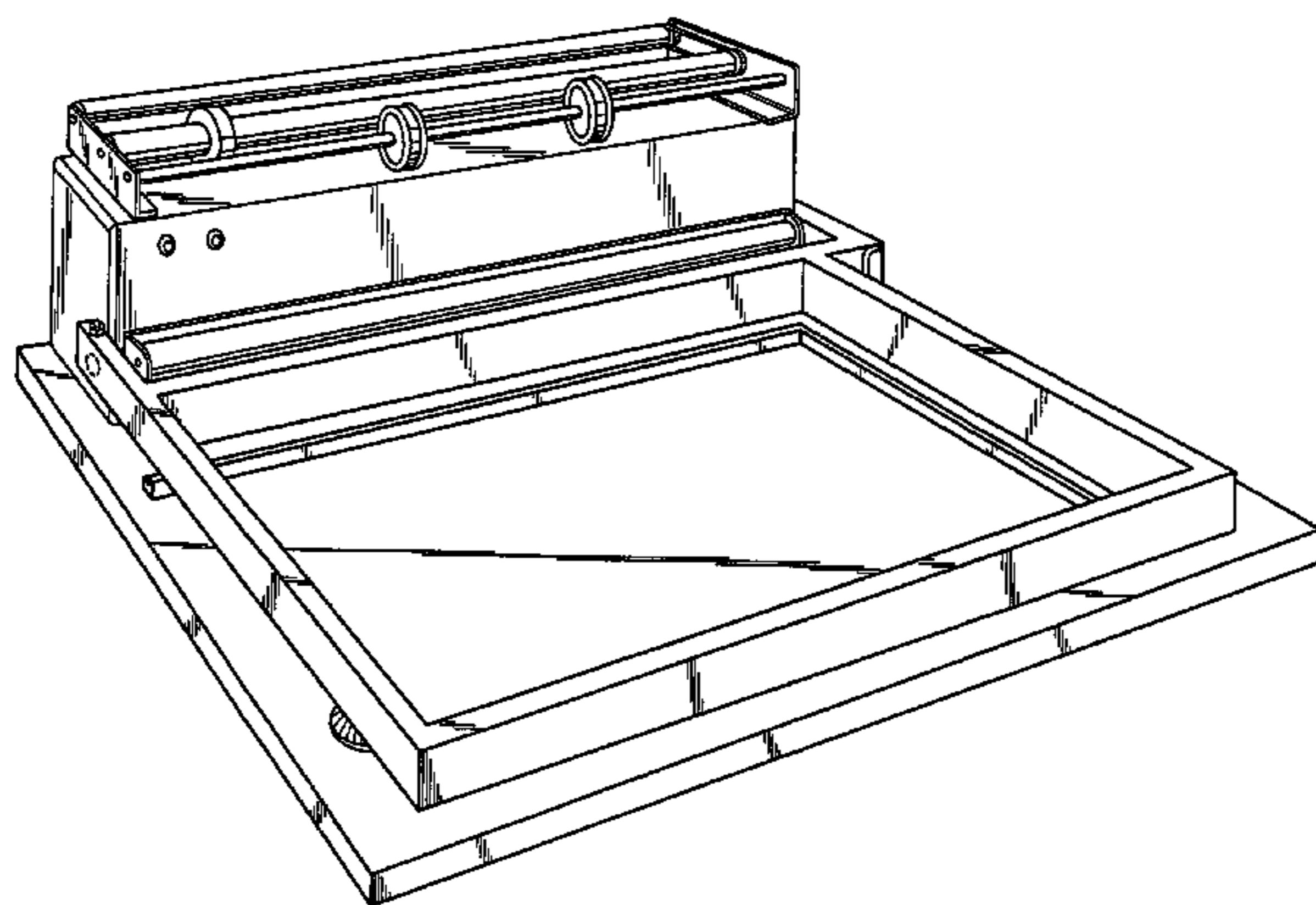


Fig. 1

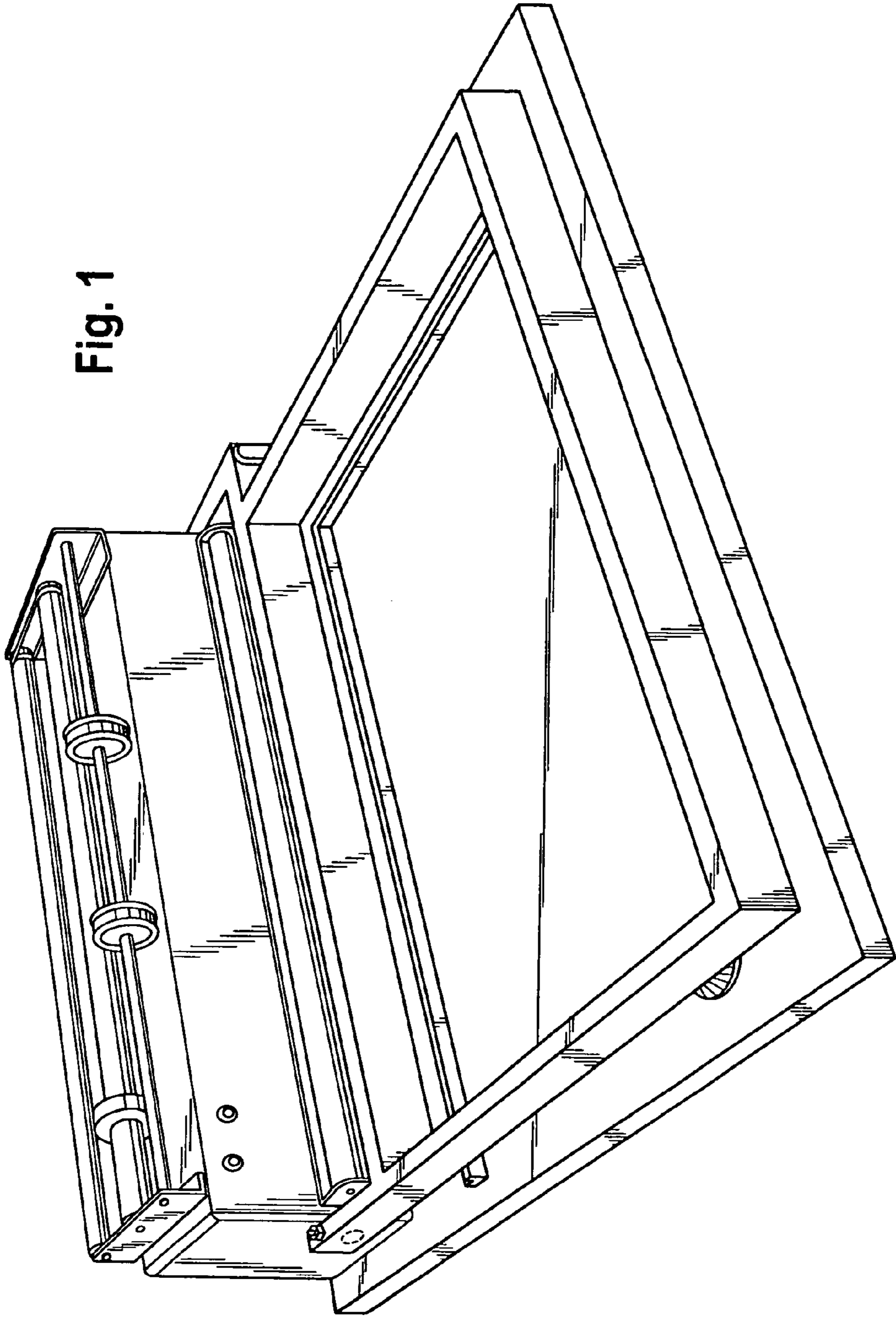


Fig. 2

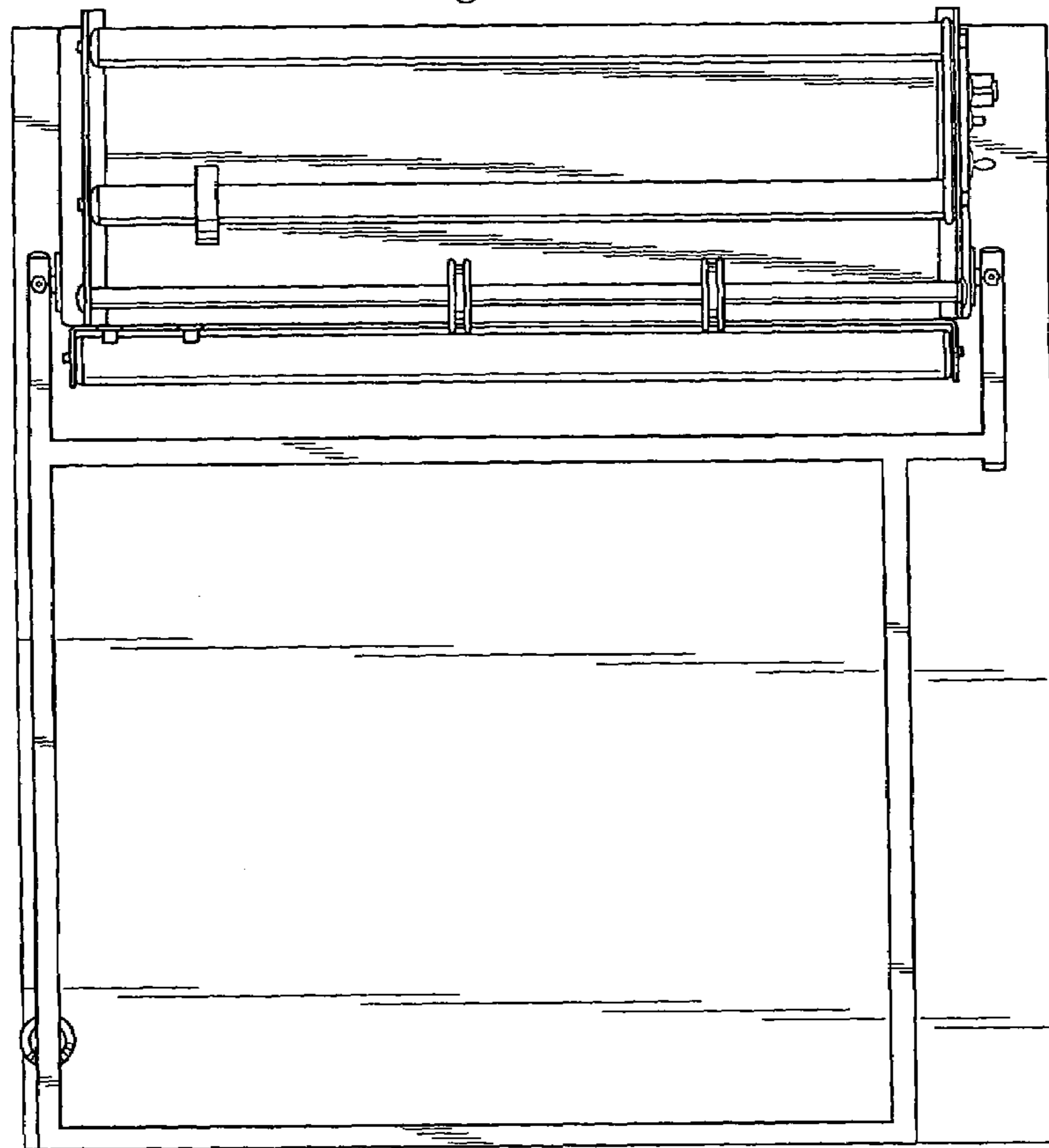


Fig. 3

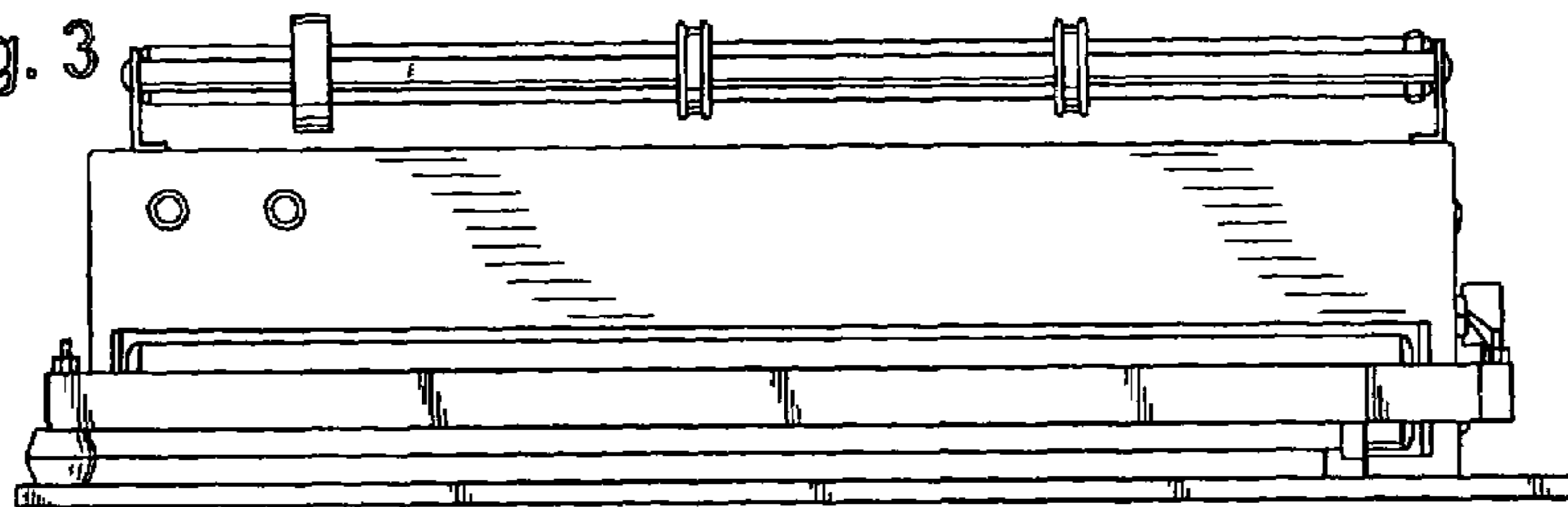


Fig. 4

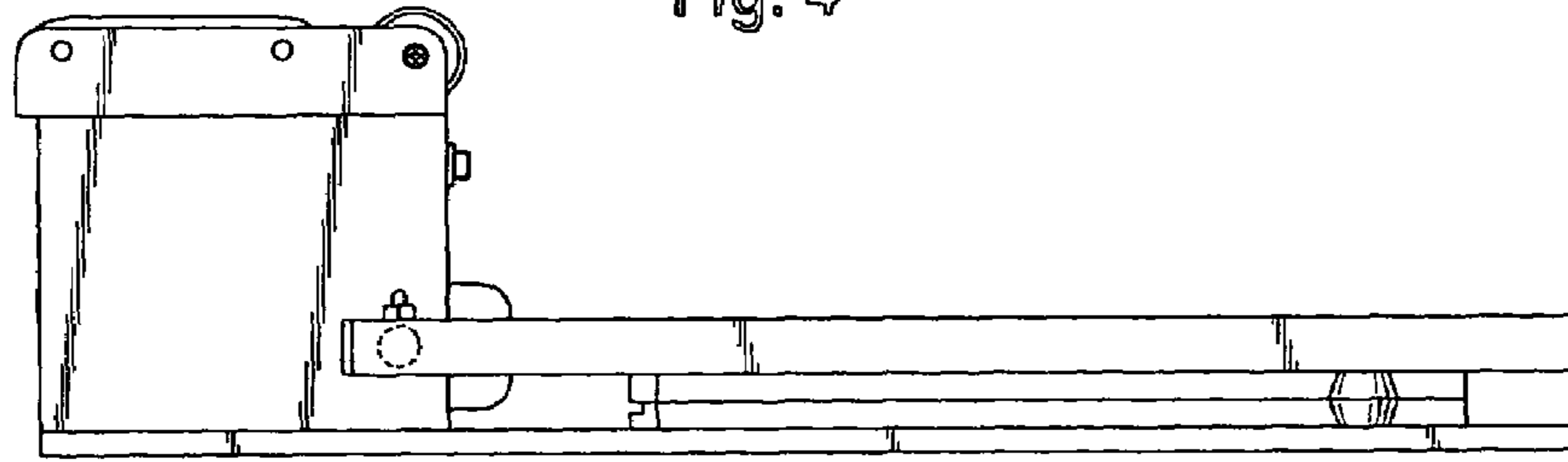


Fig. 5

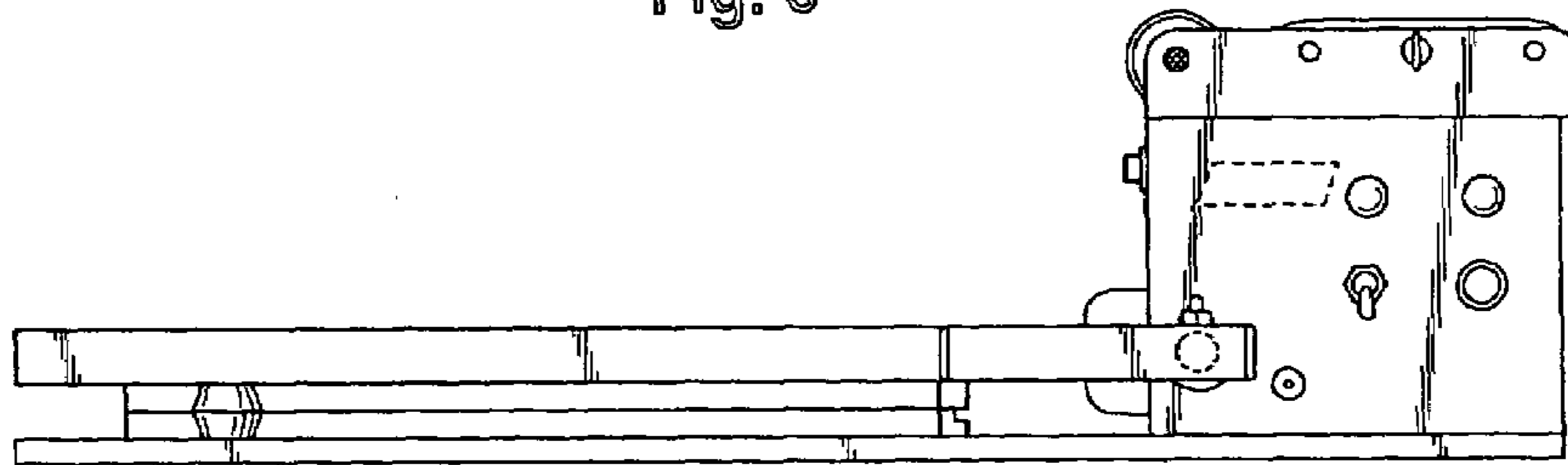


Fig. 6

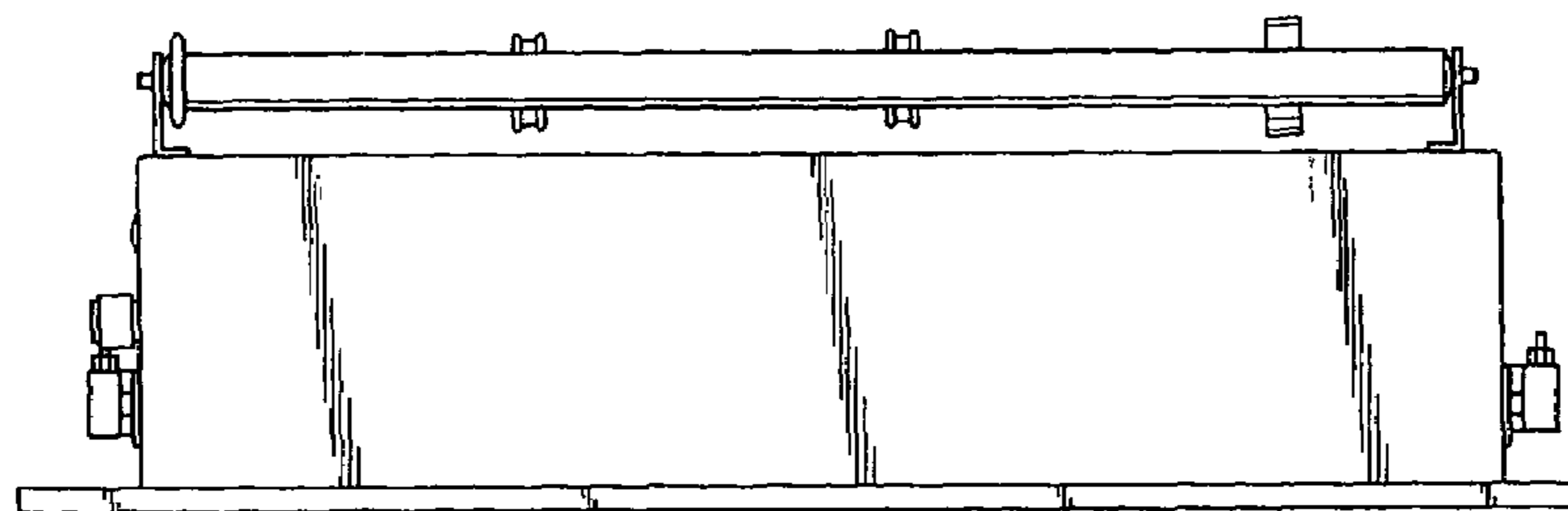
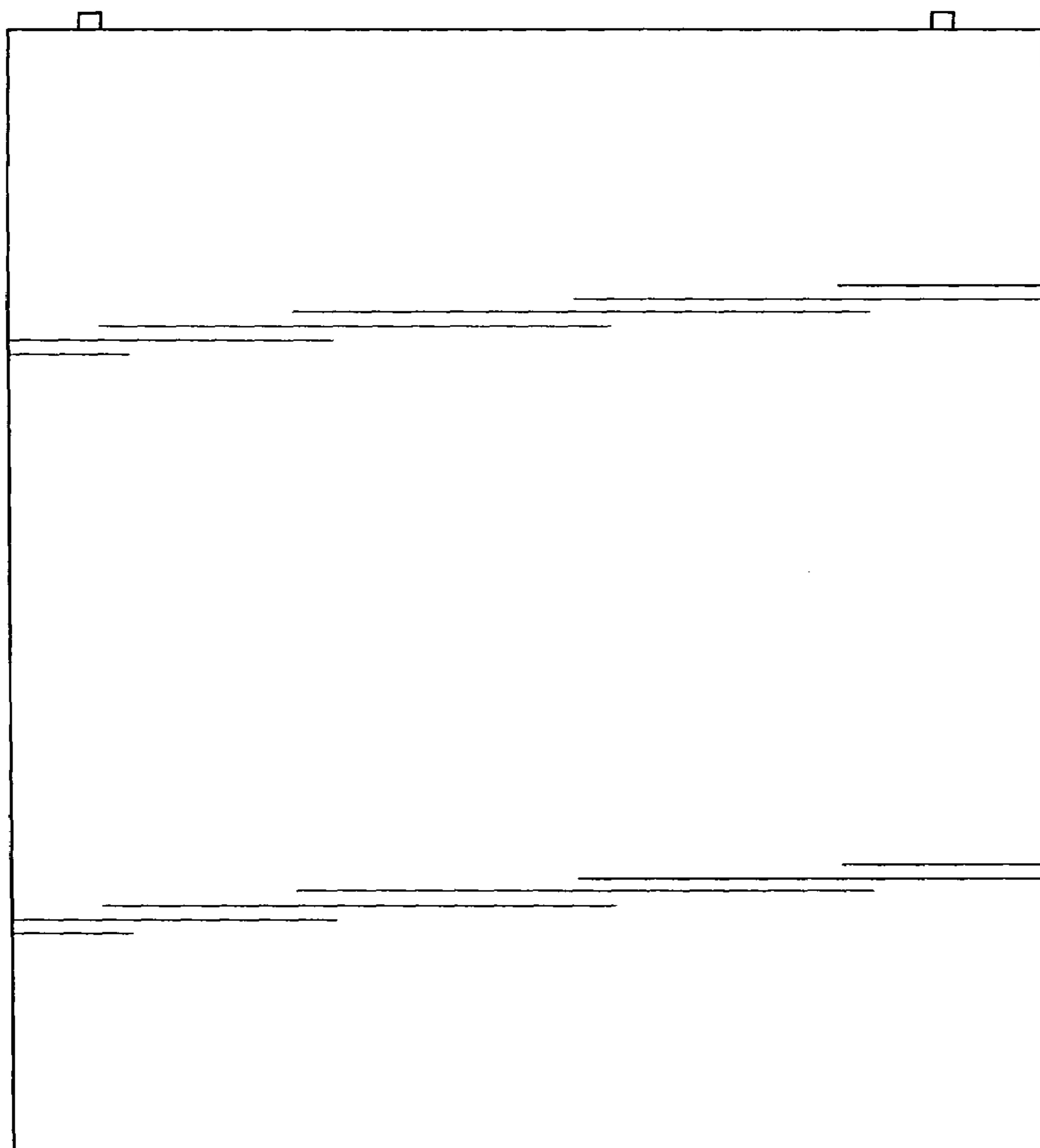


Fig. 7





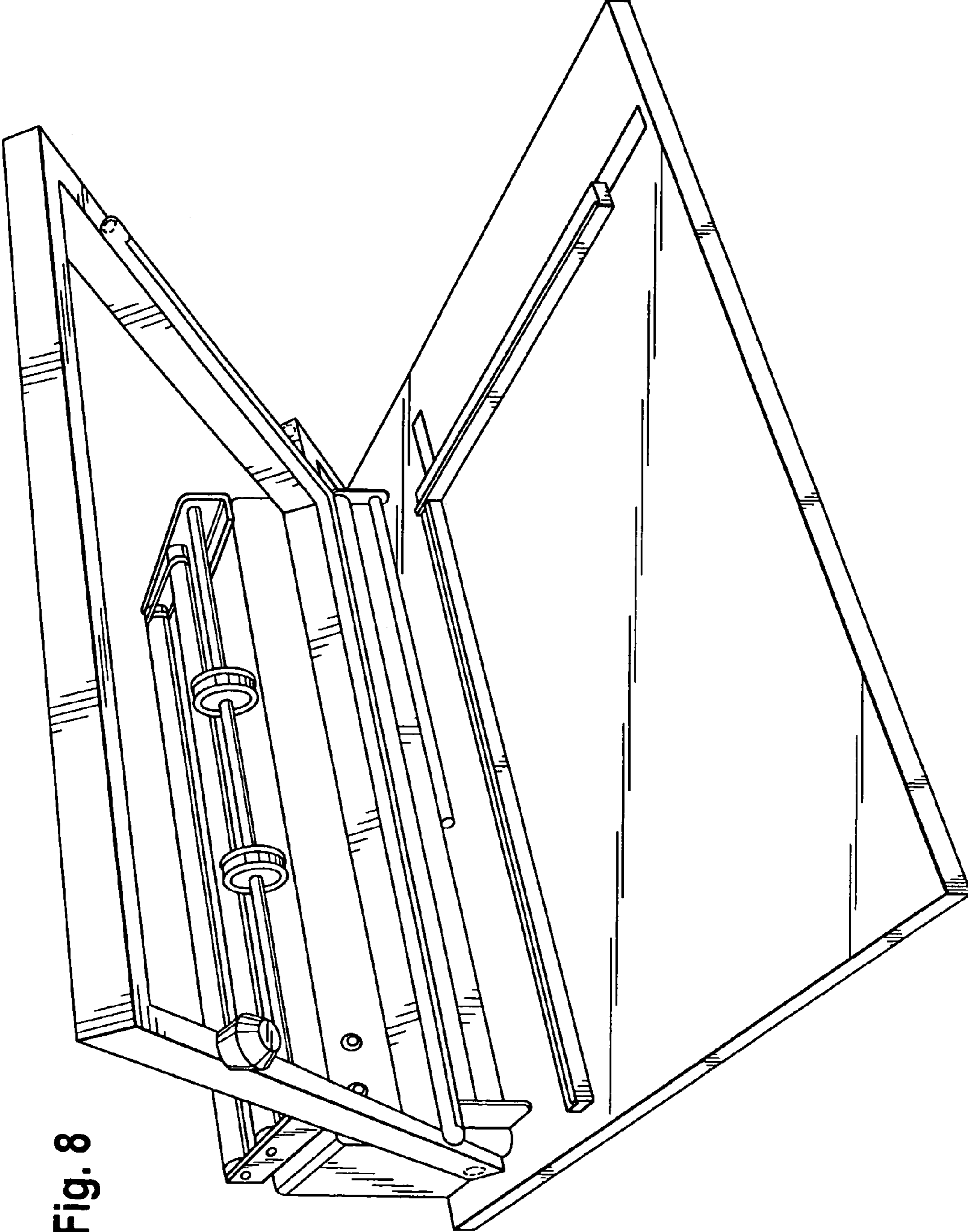


Fig. 8