

US00D587731S

(12) **United States Design Patent**
Niedermeyer

(10) **Patent No.:** **US D587,731 S**
(45) **Date of Patent:** **** Mar. 3, 2009**

(54) **LINEAR SLIDE EXTRUSION**

(75) Inventor: **John F. Niedermeyer**, Woodbury, CT
(US)

(73) Assignee: **Tritex Corporation**, Waterbury, CT
(US)

(**) Term: **14 Years**

(21) Appl. No.: **29/292,939**

(22) Filed: **Nov. 2, 2007**

D386,702 S *	11/1997	Nagai et al.	D25/124
D394,716 S *	5/1998	Rinot et al.	D25/124
D395,525 S *	6/1998	Rinot et al.	D25/122
D411,555 S *	6/1999	Nagai et al.	D15/199
D412,714 S *	8/1999	Nagai et al.	D15/199
D441,768 S *	5/2001	Nagai et al.	D15/7
6,239,357 B1 *	5/2001	Mabry et al.	174/5 R
D467,013 S *	12/2002	Ballard et al.	D25/124
D483,443 S *	12/2003	Forsberg	D23/267
D546,979 S *	7/2007	Ye	D25/124
D557,823 S *	12/2007	Willman	D25/124
D557,825 S *	12/2007	Willman	D25/124
D567,397 S *	4/2008	Terada et al.	D25/126

* cited by examiner

Related U.S. Application Data

(63) Continuation-in-part of application No. 29/271,851,
filed on Jan. 29, 2007.

Primary Examiner—Sandra Snapp

Assistant Examiner—Patricia Palasik

(74) *Attorney, Agent, or Firm*—Carmody & Torrance LLP

(51) **LOC (9) Cl.** **15-09**

(52) **U.S. Cl.** **D15/136; D25/124**

(58) **Field of Classification Search** D13/158,
D13/162, 184; D15/1-5, 7, 9, 143, 148,
D15/149, 199, 135, 136; D23/233, 235,
D23/249, 267; D25/60, 61, 119, 120, 124;
29/56; 52/2.11, 2.16, 2.18, 649.2, 650.01,
52/650.1, 650.2, 651.07; 60/412; 74/89.15,
74/490.09; 137/271, 560, 861, 884; 192/141;
310/10, 12, 15, 20, 80, 178, 317, 319; 417/124
See application file for complete search history.

(57) **CLAIM**

The ornamental design for a linear slide extrusion, as shown
and described.

DESCRIPTION

FIG. 1 is a right side/front/top isometric view of my new
design, the view being broken to indicate that the design may
be of any length;

FIG. 2 is an end elevational view thereof;

FIG. 3 is a side elevational view thereof, the opposite side
being identical to that shown, and the view being broken to
indicate that the design may be of any length;

FIG. 4 is a top plan view thereof, the view being broken to
indicate that the design may be of any length; and,

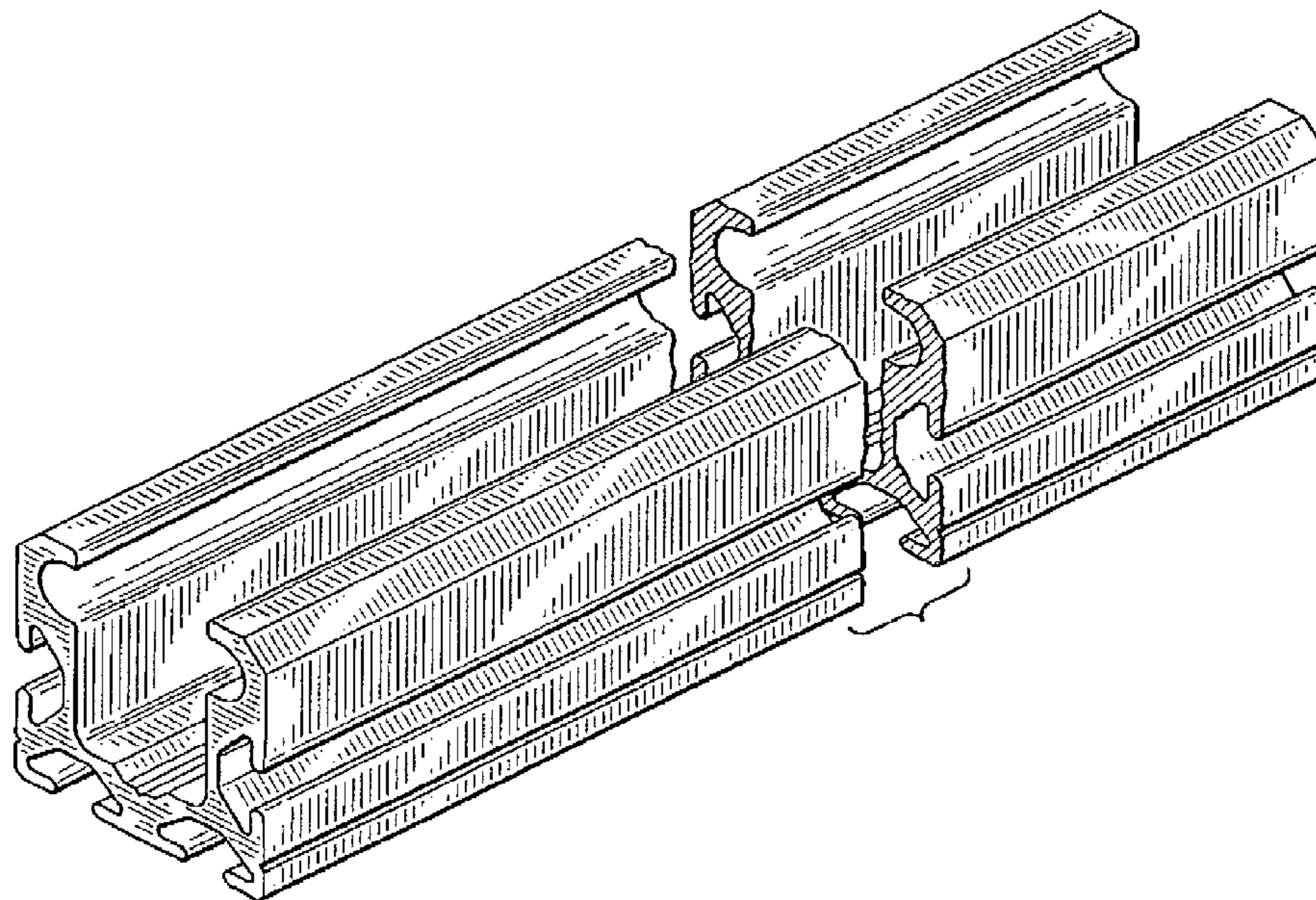
FIG. 5 is a bottom plan view thereof, the view being broken to
indicate that the design may be of any length.

(56) **References Cited**

U.S. PATENT DOCUMENTS

D291,009 S *	7/1987	Weilow	D25/120
D301,889 S *	6/1989	Price	D15/133
5,025,834 A *	6/1991	Stoll	137/560
D326,140 S *	5/1992	Dekel	D23/267
D336,345 S *	6/1993	Fasth et al.	D25/126
D363,997 S *	11/1995	Nomura	D25/122

1 Claim, 2 Drawing Sheets



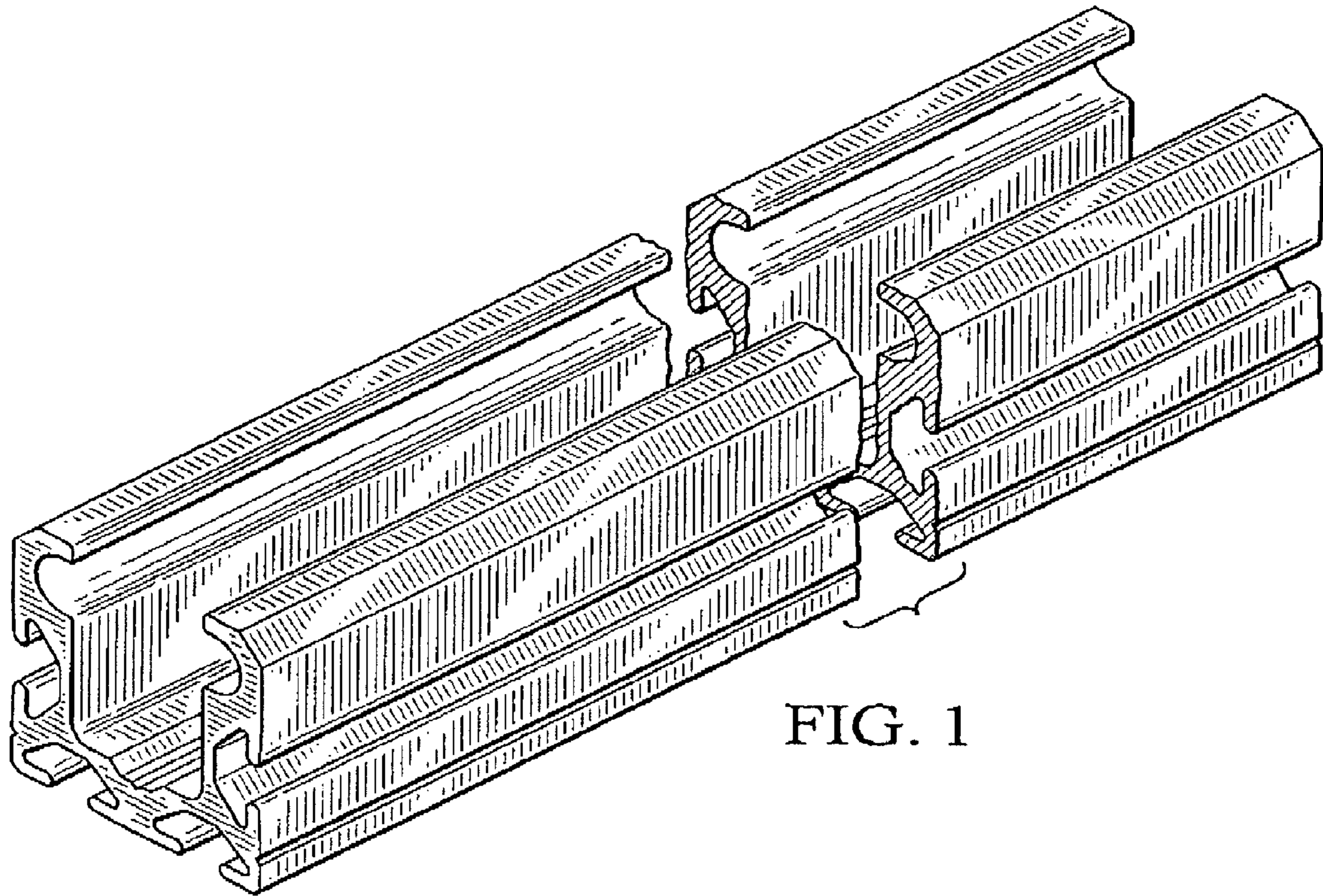


FIG. 1

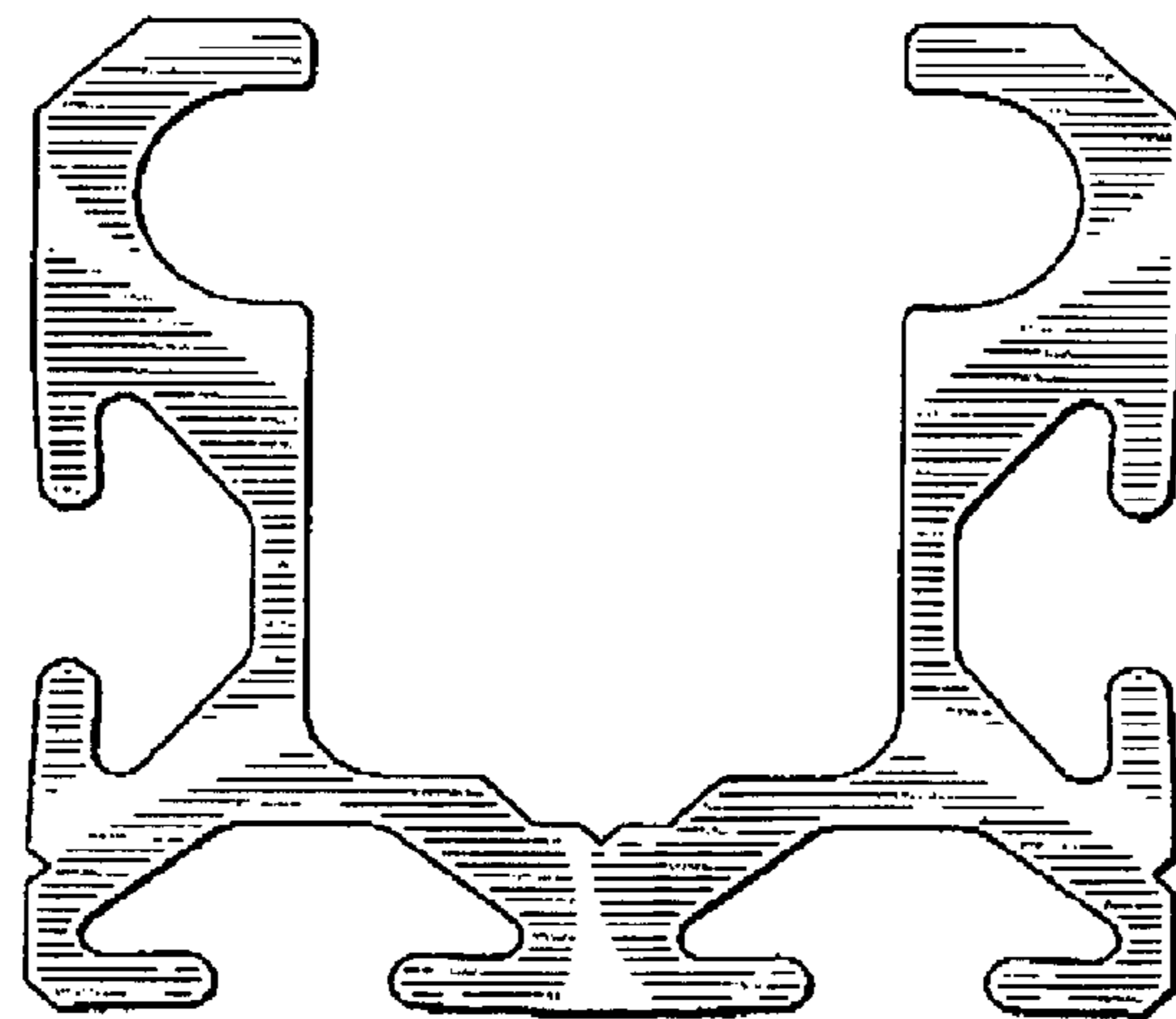


FIG. 2

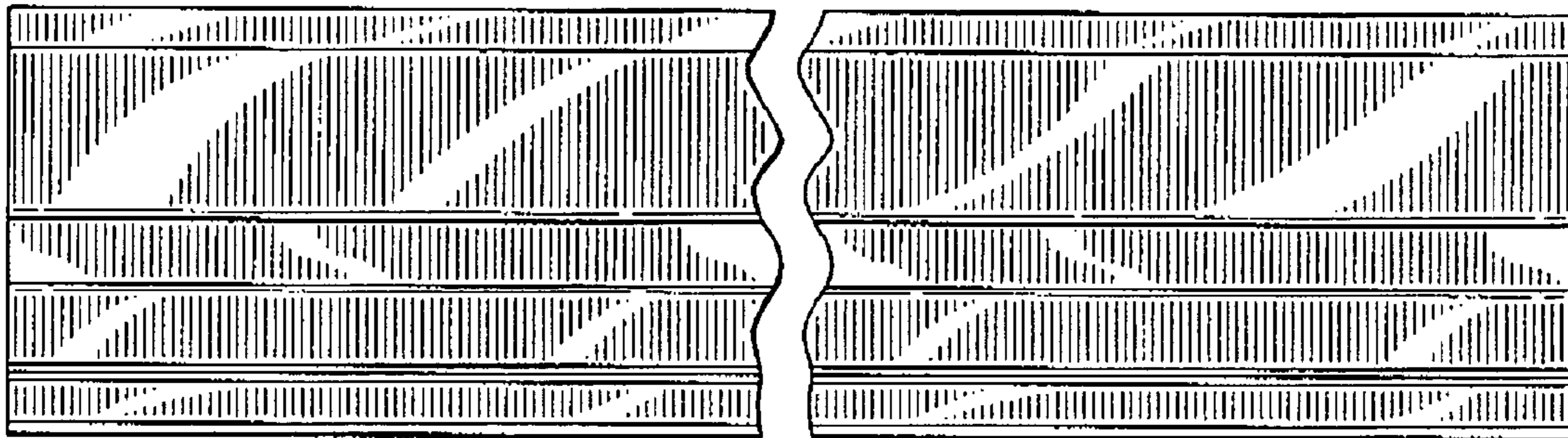


FIG. 3

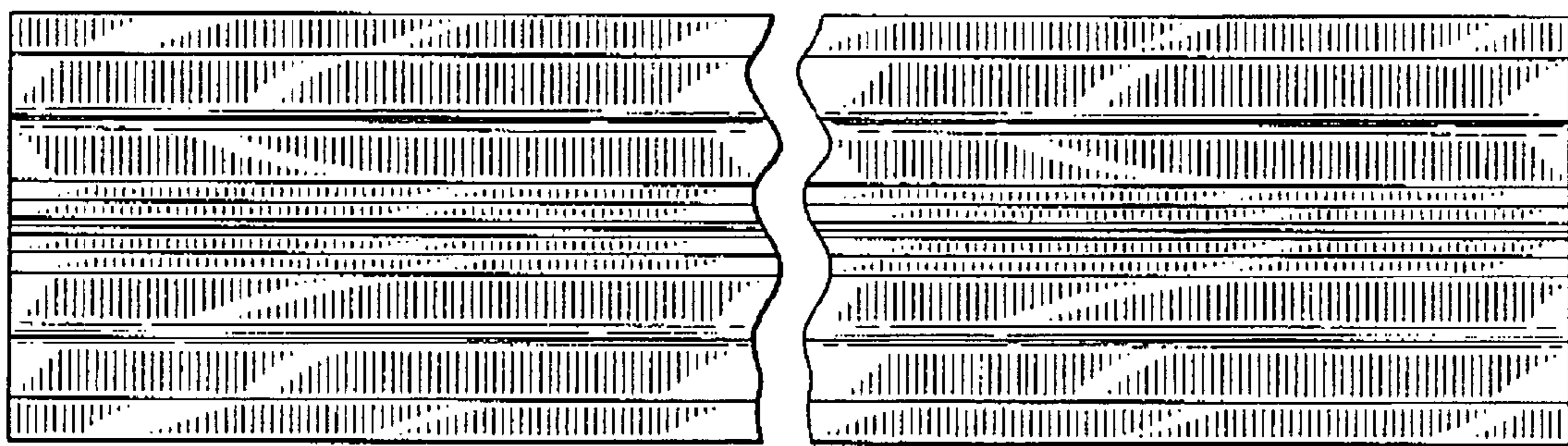


FIG. 4

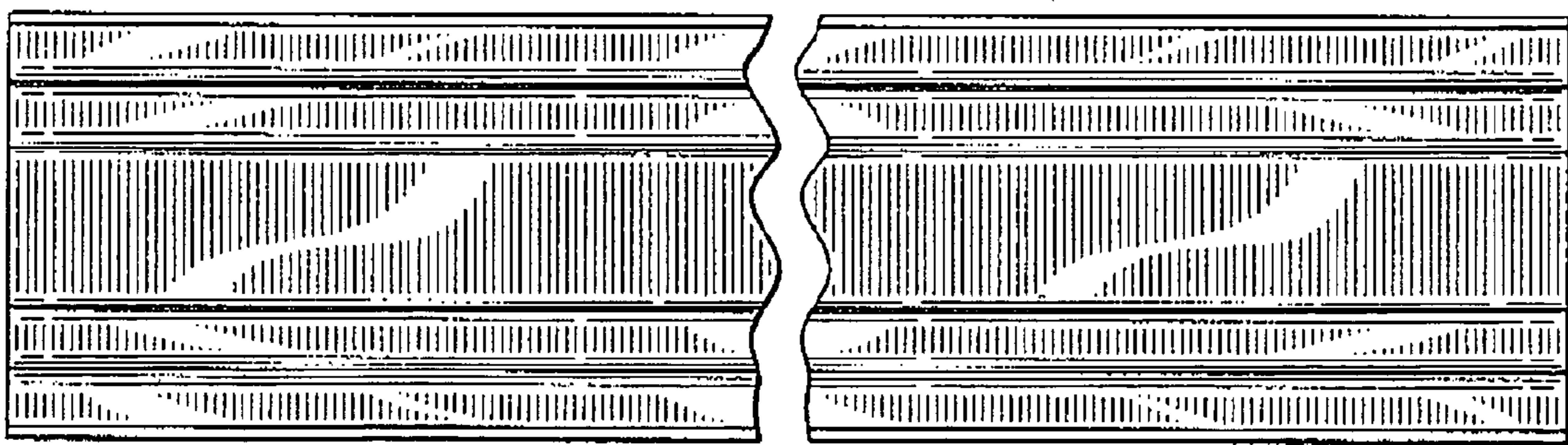


FIG. 5