



US00D587728S

(12) **United States Design Patent**
Shimozono

(10) **Patent No.:** **US D587,728 S**
(45) **Date of Patent:** **** Mar. 3, 2009**

(54) **METALLIC CORE OF RUBBER CRAWLER**

(75) Inventor: **Nobuo Shimozono**, Chuo-ku (JP)

(73) Assignee: **Bridgestone Corporation**, Tokyo (JP)

(**) Term: **14 Years**

(21) Appl. No.: **29/319,494**

(22) Filed: **Jun. 10, 2008**

(51) **LOC (9) Cl.** **15-03**

(52) **U.S. Cl.** **D15/28**

(58) **Field of Classification Search** D15/28,
D15/22-26; 305/170-177, 159, 187, 189,
305/167, 165, 51, 111, 46, 198, 53, 204,
305/193

See application file for complete search history.

(56) **References Cited**

U.S. PATENT DOCUMENTS

| | | | | | |
|-----------|------|---------|-----------------|-------|---------|
| D231,385 | S * | 4/1974 | Plastino | | D15/28 |
| 4,678,244 | A * | 7/1987 | Furuta et al. | | 305/175 |
| 4,904,030 | A * | 2/1990 | Ono | | 305/174 |
| 5,131,728 | A * | 7/1992 | Katoh et al. | | 305/174 |
| 5,308,155 | A * | 5/1994 | Katoh | | 305/174 |
| 5,380,076 | A * | 1/1995 | Hori | | 305/171 |
| 5,399,003 | A * | 3/1995 | Katoh | | 305/171 |
| 5,403,643 | A * | 4/1995 | Tsuru | | 428/120 |
| 5,522,654 | A * | 6/1996 | Katoh | | 305/174 |
| 5,522,655 | A * | 6/1996 | Katoh | | 305/174 |
| 5,813,733 | A * | 9/1998 | Hori et al. | | 305/172 |
| 5,997,110 | A * | 12/1999 | Katoh et al. | | 305/169 |
| 6,106,083 | A * | 8/2000 | Ono | | 305/171 |
| 6,588,862 | B1 * | 7/2003 | Pringiers | | 305/167 |
| D484,149 | S * | 12/2003 | Hannan et al. | | D15/28 |
| 6,709,077 | B2 * | 3/2004 | Watanabe et al. | | 305/177 |
| 6,805,416 | B2 * | 10/2004 | Ueno | | 305/177 |

| | | | | | |
|--------------|------|---------|-----------------|-------|---------|
| 6,832,820 | B2 * | 12/2004 | Watanabe et al. | | 305/177 |
| 7,131,709 | B2 * | 11/2006 | Ueno | | 305/177 |
| 7,293,844 | B2 * | 11/2007 | Uchiyama | | 305/166 |
| D557,713 | S * | 12/2007 | Sugihara | | D15/28 |
| D561,786 | S * | 2/2008 | Tateishi | | D15/28 |
| D562,353 | S * | 2/2008 | Sugihara | | D15/28 |
| 7,413,268 | B2 * | 8/2008 | Kato et al. | | 305/172 |
| 2003/0025391 | A1 * | 2/2003 | Ueno | | 305/157 |
| 2004/0075340 | A1 * | 4/2004 | Watanabe et al. | | 305/177 |
| 2005/0001482 | A1 * | 1/2005 | Ueno | | 305/177 |
| 2005/0218722 | A1 * | 10/2005 | Kurokawa | | 305/171 |
| 2006/0061212 | A1 * | 3/2006 | Uchiyama | | 305/167 |
| 2006/0163944 | A1 * | 7/2006 | Tsuru et al. | | 305/165 |
| 2006/0279138 | A1 * | 12/2006 | Kato et al. | | 305/177 |
| 2008/0129111 | A1 * | 6/2008 | Pringiers | | 305/171 |

* cited by examiner

Primary Examiner—Stella M Reid

Assistant Examiner—Mark A Goodwin

(74) *Attorney, Agent, or Firm*—Sughrue Mion, PLLC

(57) **CLAIM**

The ornamental design for a metallic core of rubber crawler, as shown and described.

DESCRIPTION

FIG. 1 is a perspective view of a metallic core of rubber crawler.

FIG. 2 is a front elevation view thereof.

FIG. 3 is a rear elevation view thereof.

FIG. 4 is a top plan view thereof.

FIG. 5 is a bottom plan view thereof.

FIG. 6 is a right side elevation view thereof; and,

FIG. 7 is a left side elevation view thereof.

1 Claim, 7 Drawing Sheets

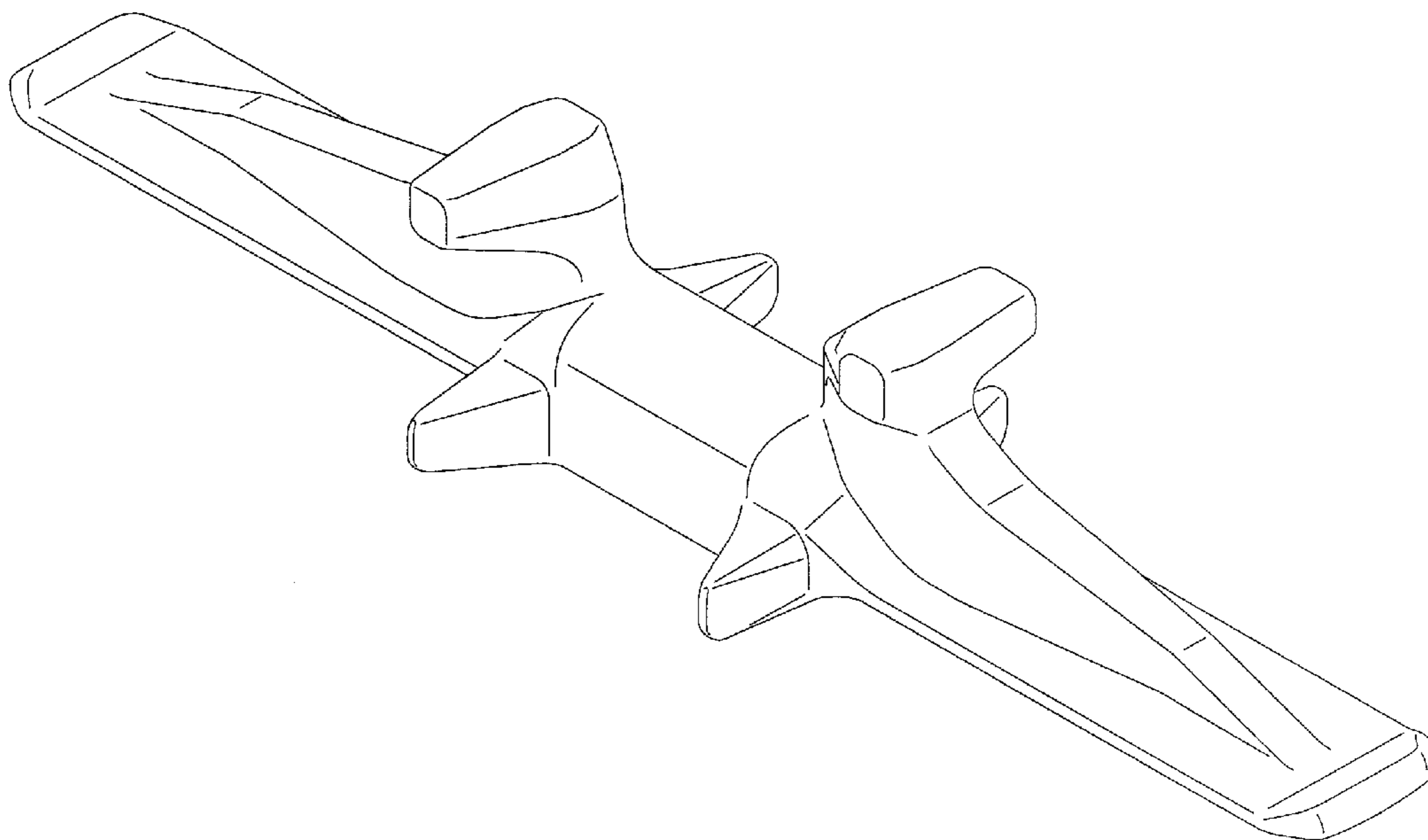


FIG. 1

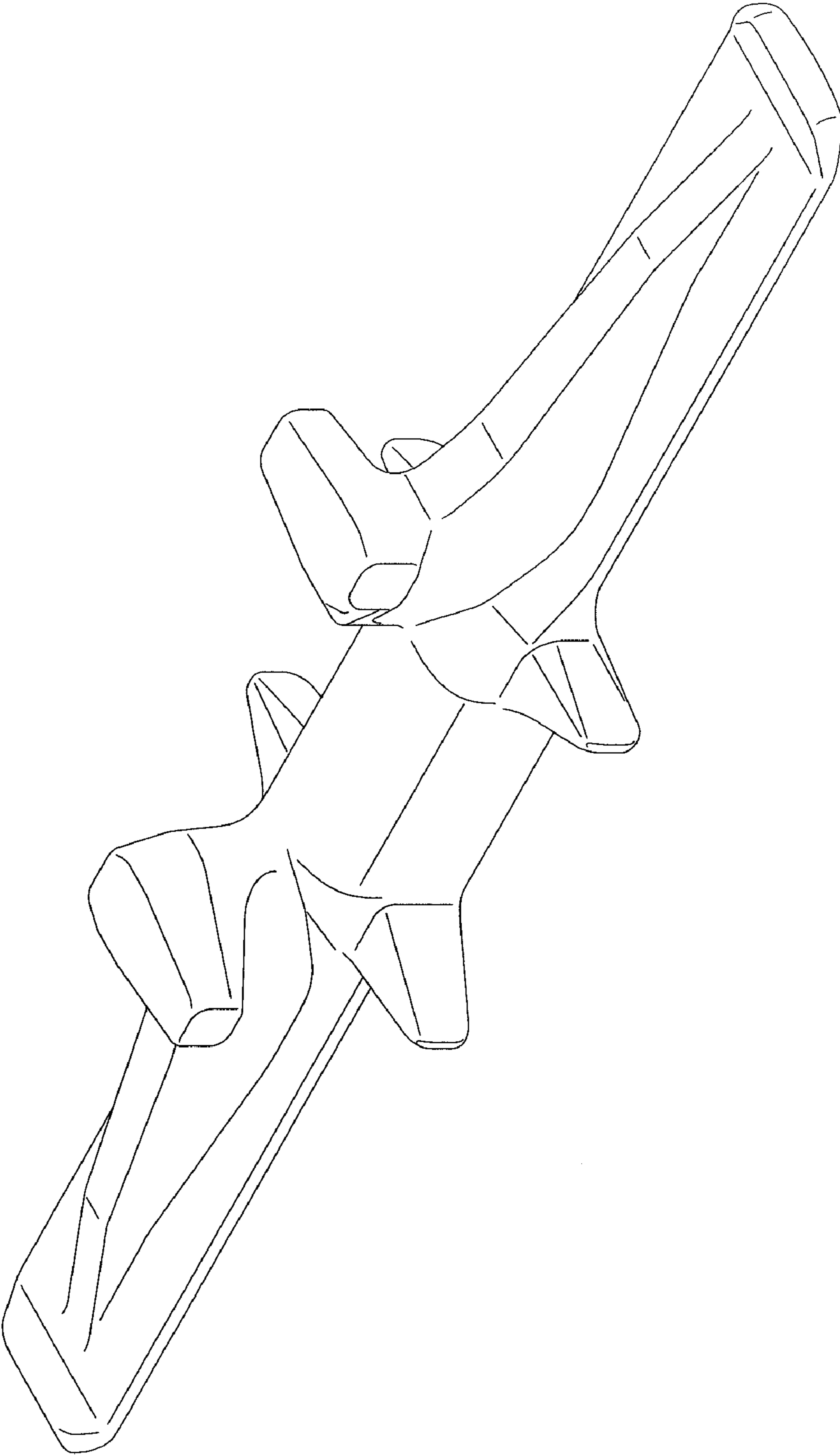


FIG. 2

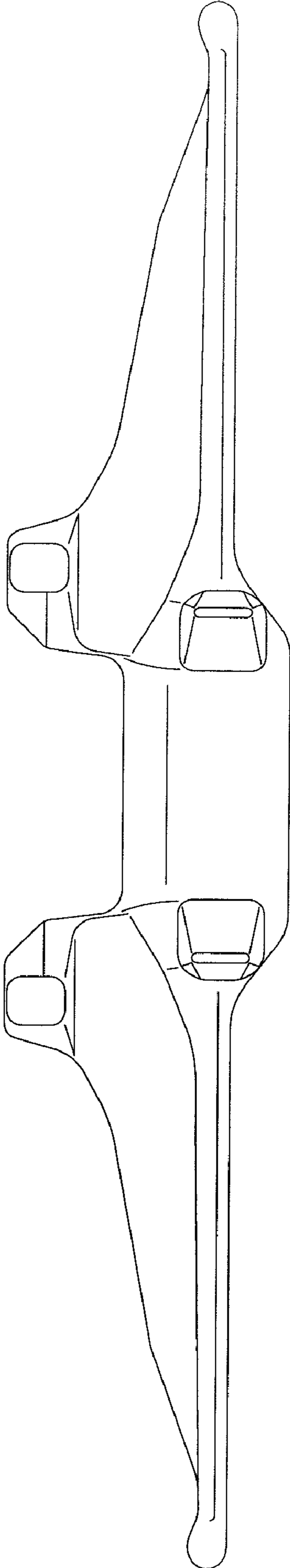


FIG. 3

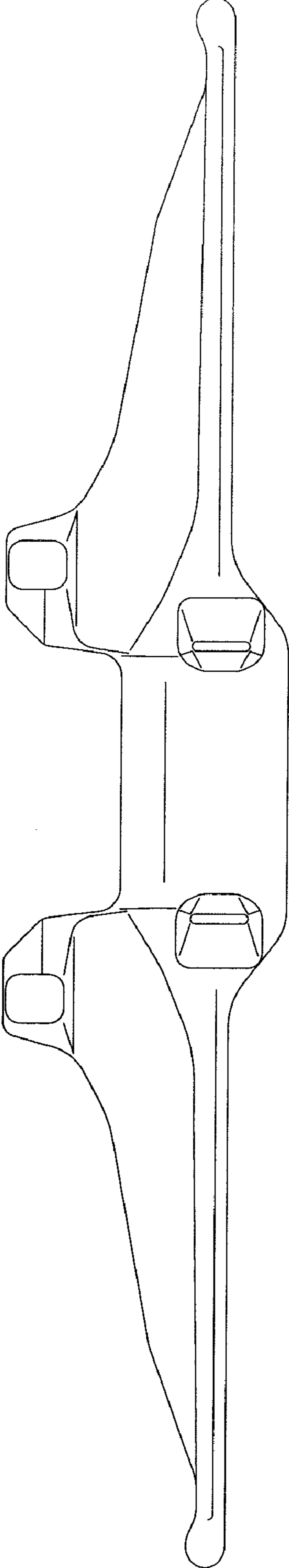


FIG. 4

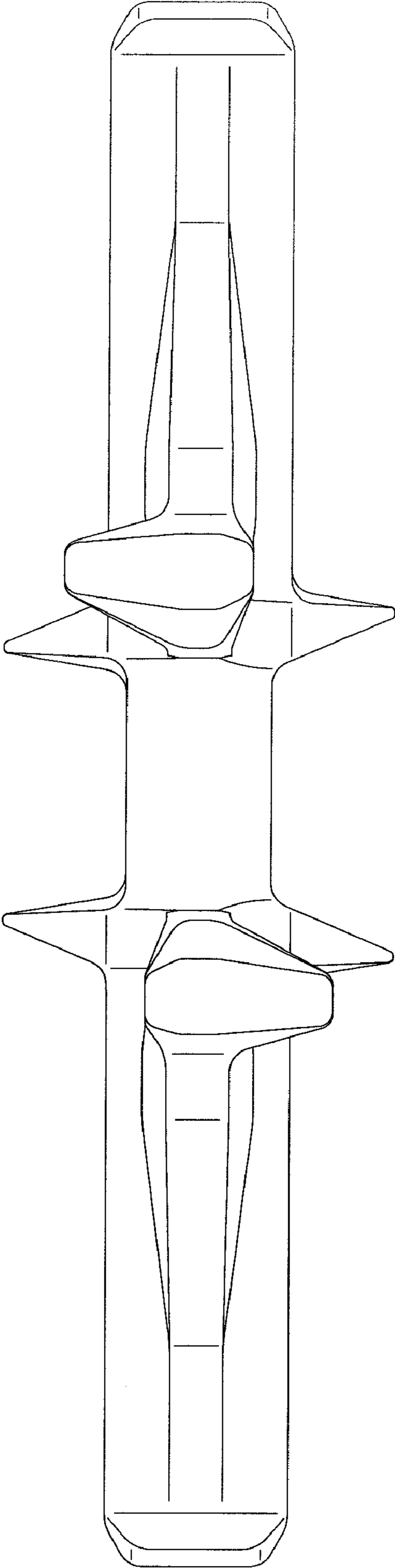


FIG. 5

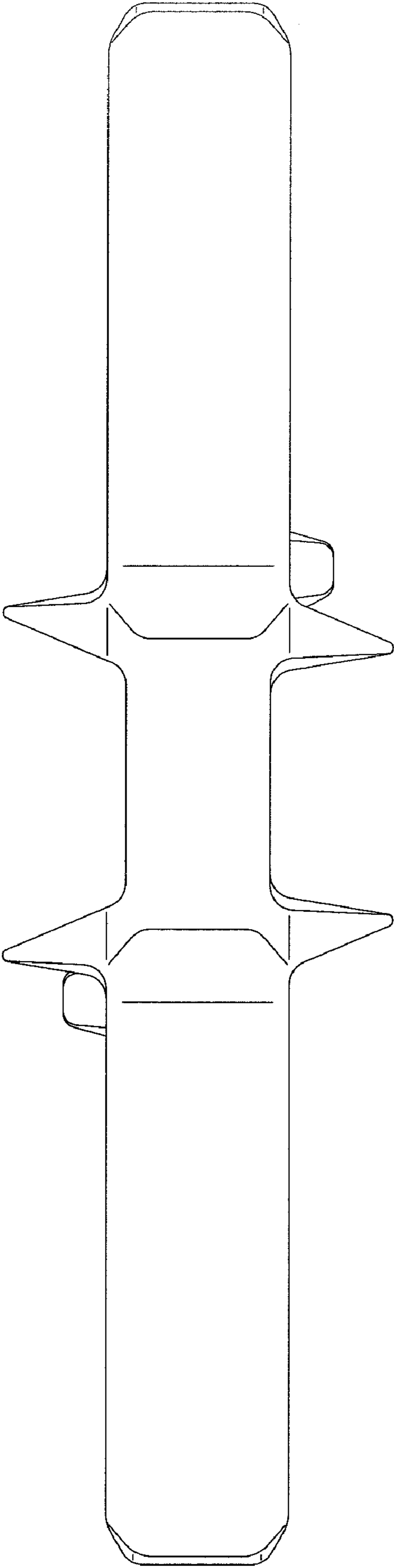


FIG. 6

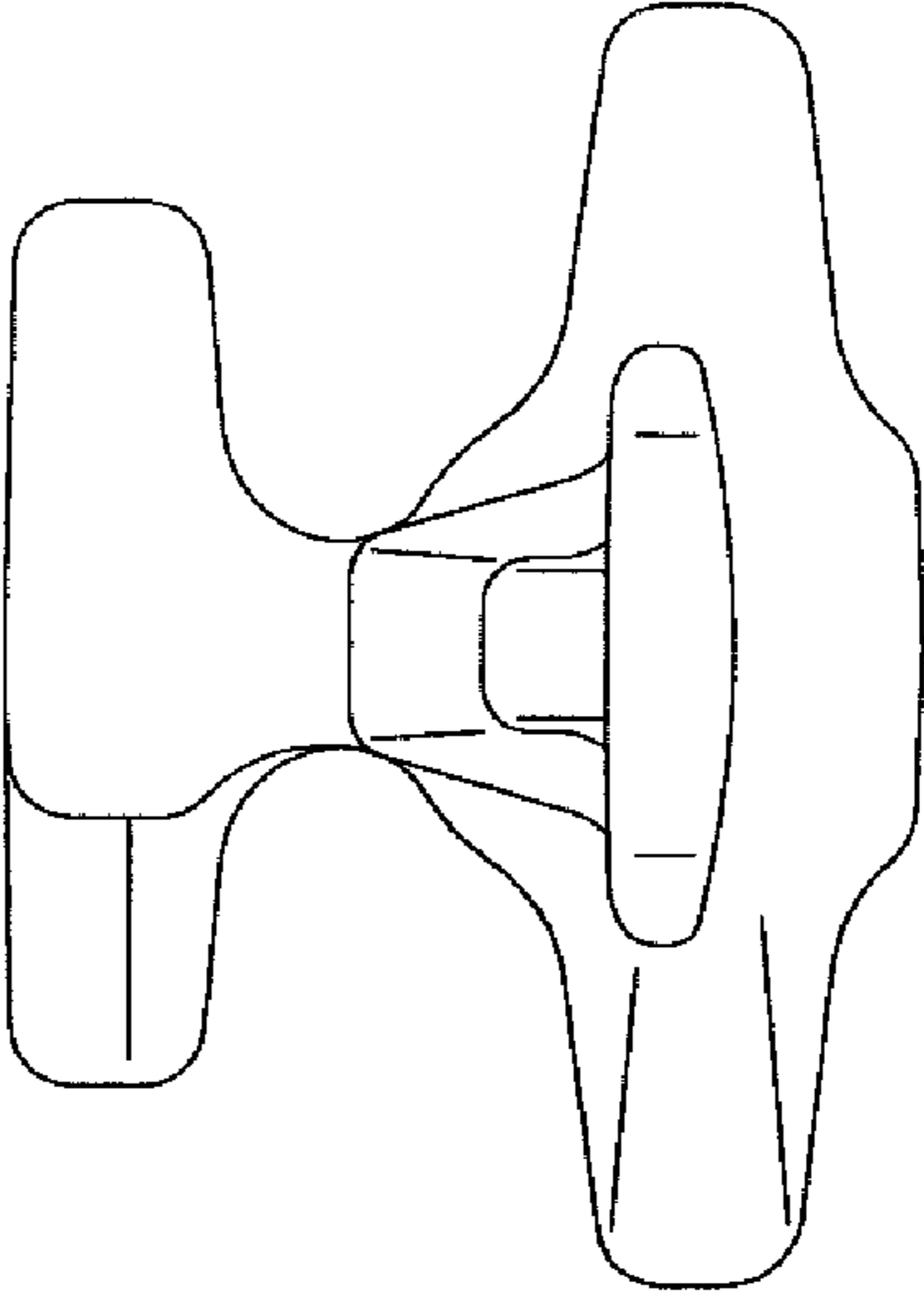


FIG. 7

