



US00D587719S

(12) **United States Design Patent**
Tate et al.

(10) **Patent No.:** **US D587,719 S**
(45) **Date of Patent:** **** Mar. 3, 2009**

(54) **PORTABLE MEMORY STICK**

(75) Inventors: **John M. Tate**, Deerfield Beach, FL (US); **Lev M. Bolotin**, Kirkland, WA (US); **Charles E. R. Medd**, Hong Kong (CN)

(73) Assignees: **Examsoft Worldwide, Inc.**, Deerfield Beach, FL (US); **Clevx, LLC**, Kirkland, WA (US)

(**) Term: **14 Years**

(21) Appl. No.: **29/304,075**

(22) Filed: **Feb. 25, 2008**

(51) **LOC (9) Cl.** **14-02**

(52) **U.S. Cl.** **D14/480.1**

(58) **Field of Classification Search** D14/436,
D14/411, 384–385, 518, 348, 432–435, 299,
D14/167, 402, 242, 356, 358, 496, 156, 240;
710/300–301; 439/131, 140–141; 361/684,
361/686

See application file for complete search history.

(56) **References Cited**

U.S. PATENT DOCUMENTS

D487,259 S * 3/2004 Obata D14/167
D488,795 S * 4/2004 Christianson D14/155
7,214,075 B2 * 5/2007 He et al. 439/135
D546,328 S * 7/2007 Kobayakawa D14/480.7

7,285,874 B2 * 10/2007 Menas et al. 307/80
D556,212 S * 11/2007 Hussaini et al. D14/496
2003/0090472 A1 * 5/2003 Im 345/172
2008/0215841 A1 * 9/2008 Bolotin et al. 711/164

OTHER PUBLICATIONS

Security: Personal Pocket Safe USB Drive So Secure It Has Its Own PIN Pad, [online], [retrieved on Oct. 15, 2008]. Retrieved from the Internet <URL: <http://gizmodo.com/371510/personal-pocket-safe-usb-drive-so-secure-it-has-its-own-pin-pad>>.*

* cited by examiner

Primary Examiner—Robin V Webster

Assistant Examiner—Karen E Kearney

(74) *Attorney, Agent, or Firm*—Mikio Ishimaru

(57) **CLAIM**

We claim the ornamental design for a portable memory stick, as shown and described.

DESCRIPTION

FIG. 1 is an isometric view of a portable memory stick showing my new design;

FIG. 2 is a top view of thereof;

FIG. 3 is a front view of thereof;

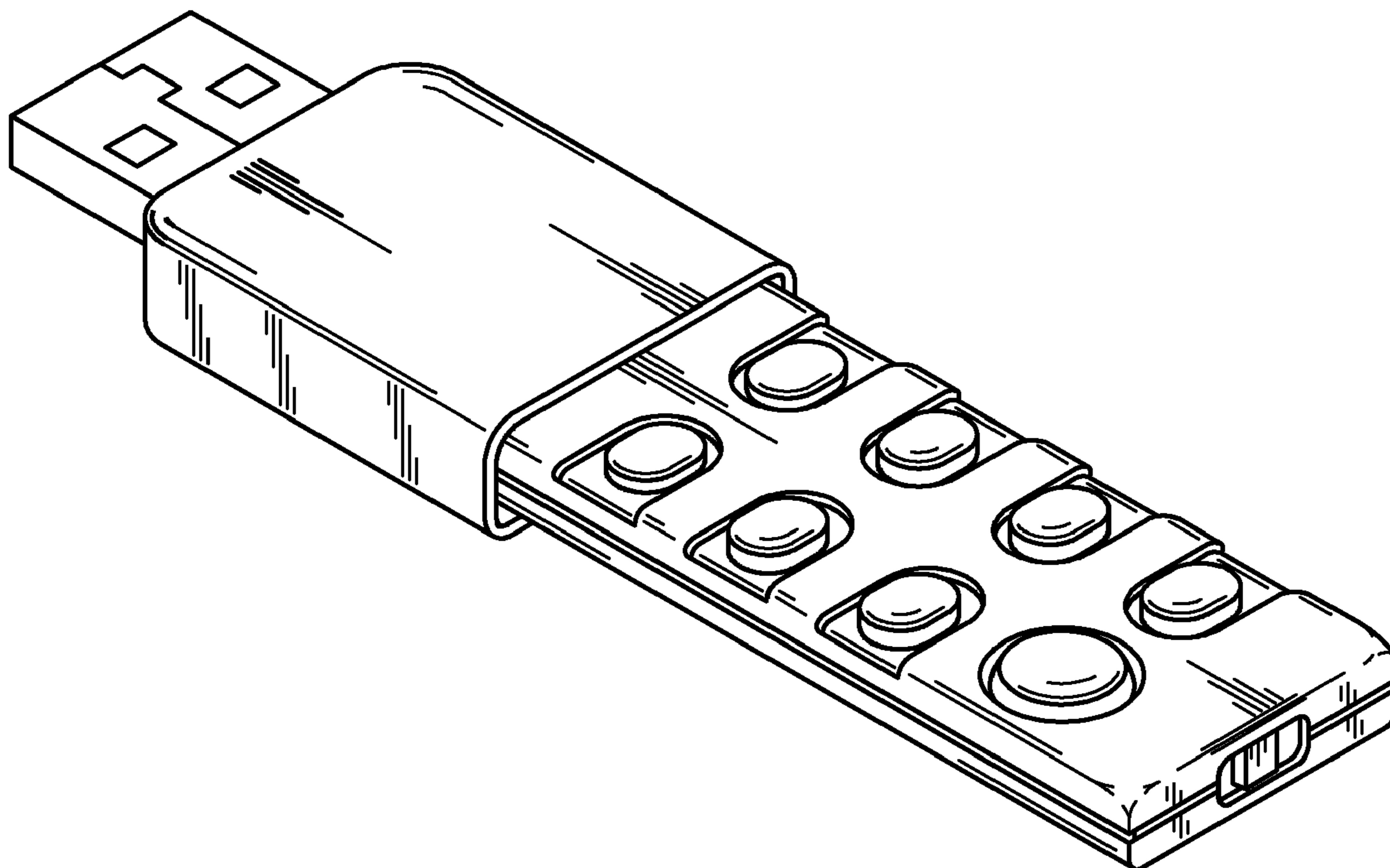
FIG. 4 is a bottom view of thereof;

FIG. 5 is a back view of thereof;

FIG. 6 is a left side elevational view of thereof; and,

FIG. 7 is a right side elevational view of thereof.

1 Claim, 3 Drawing Sheets



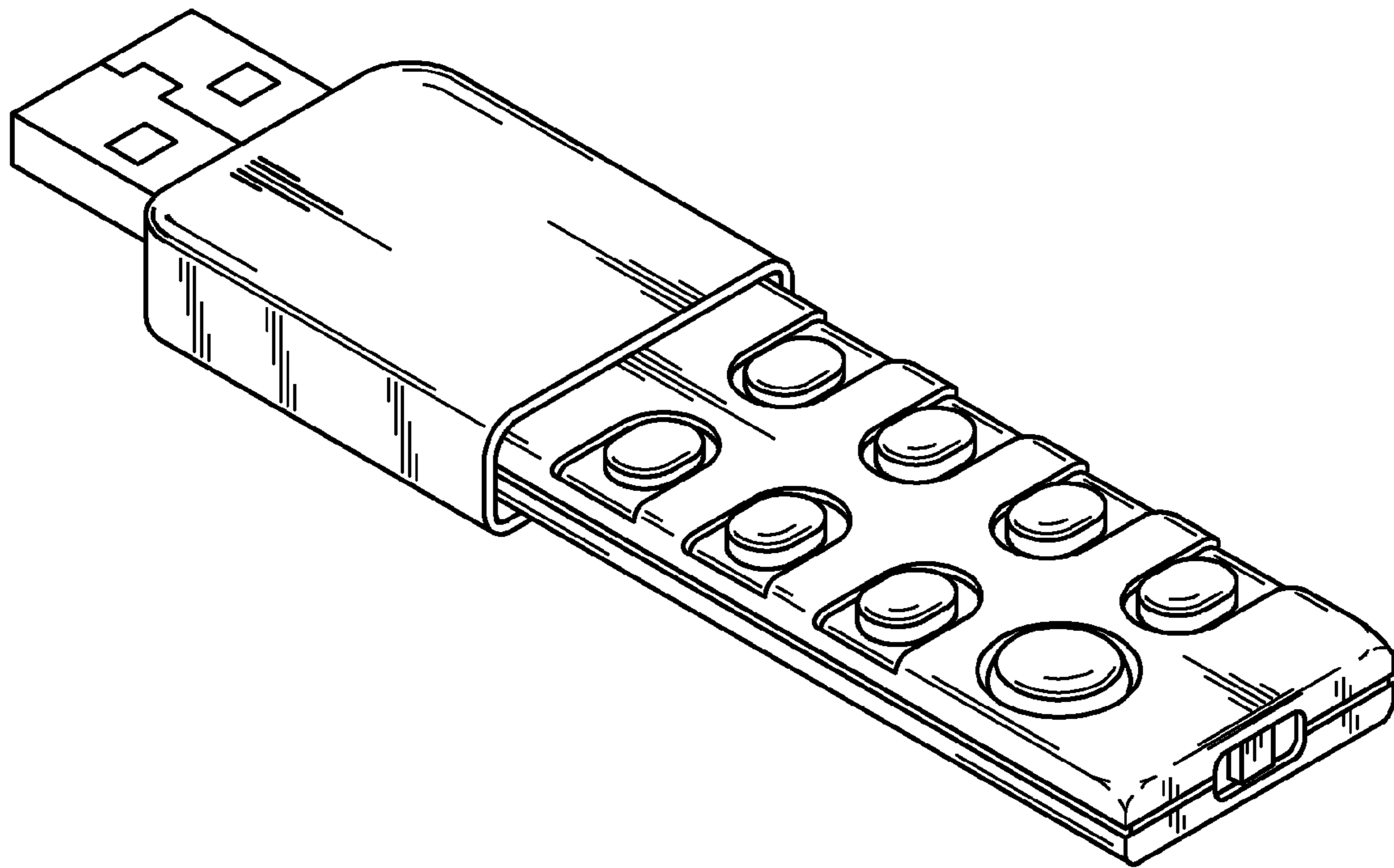


FIG. 1

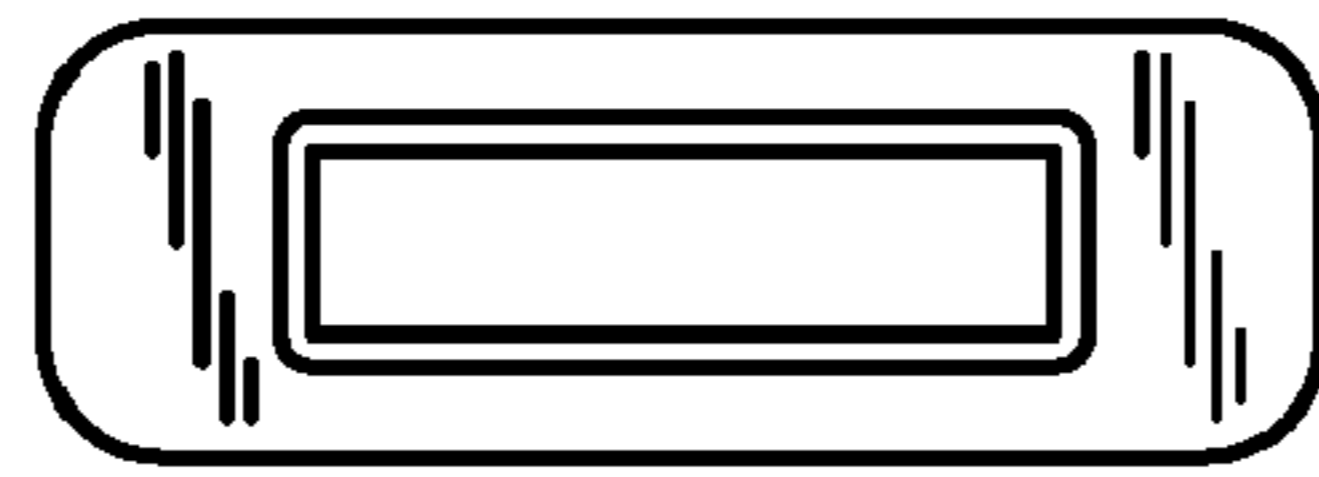


FIG. 2

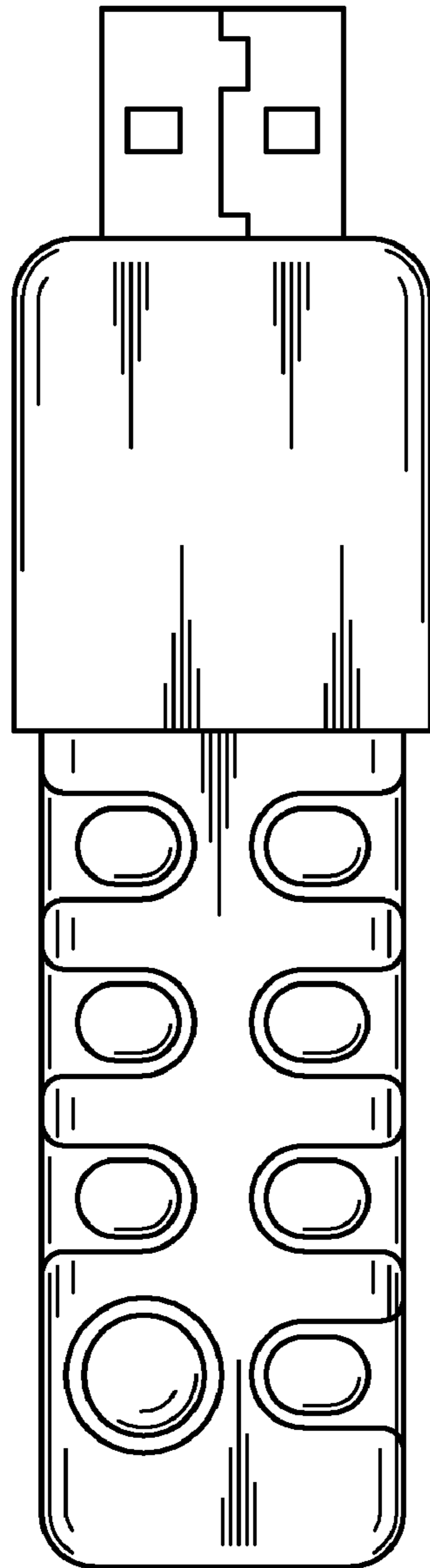


FIG. 3

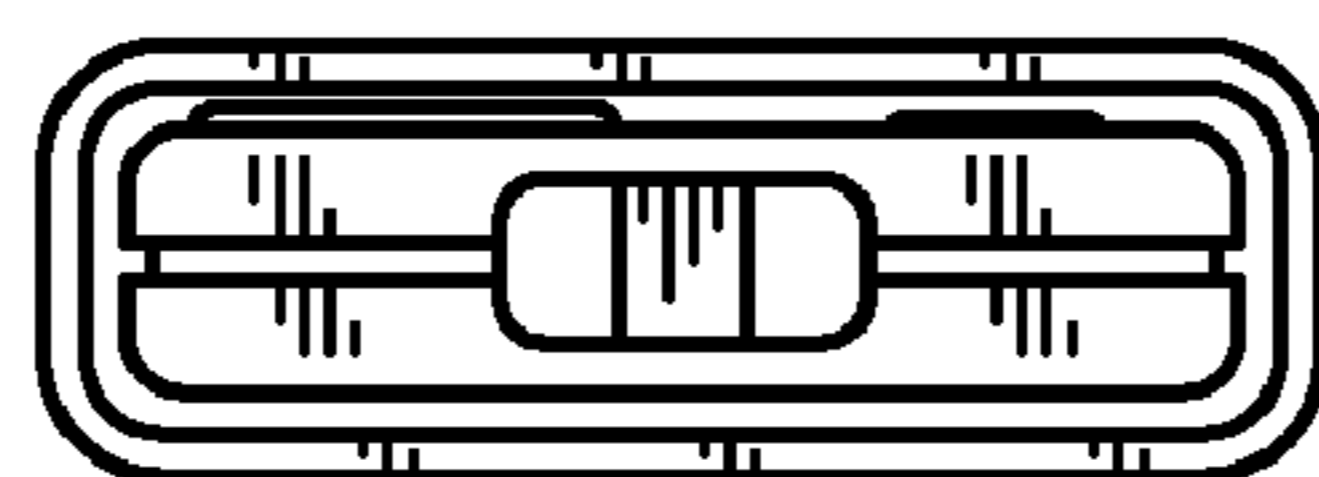


FIG. 4

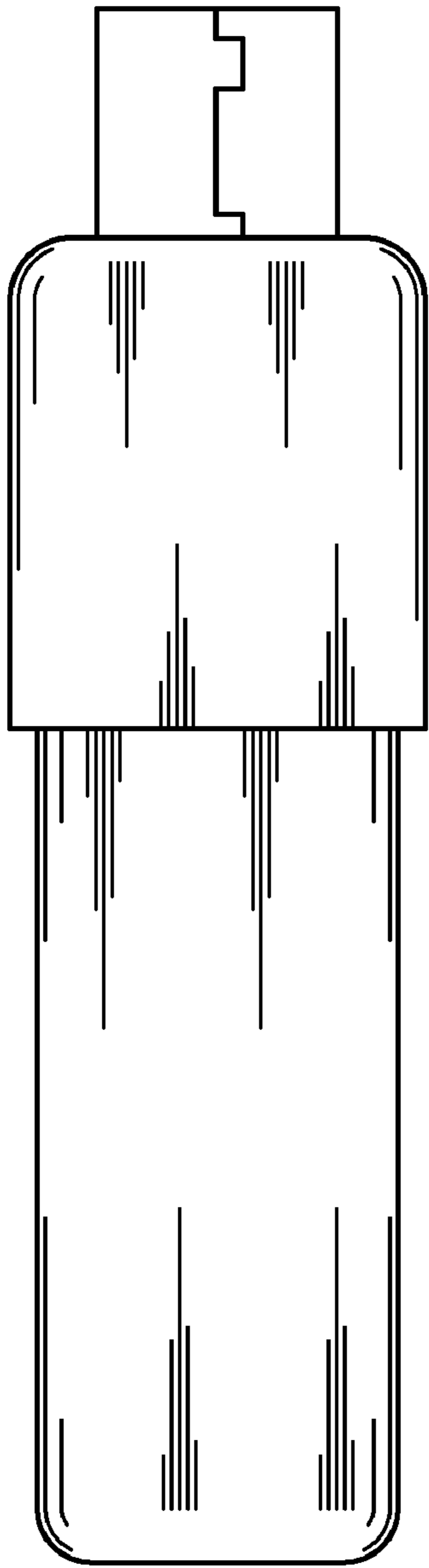


FIG. 5

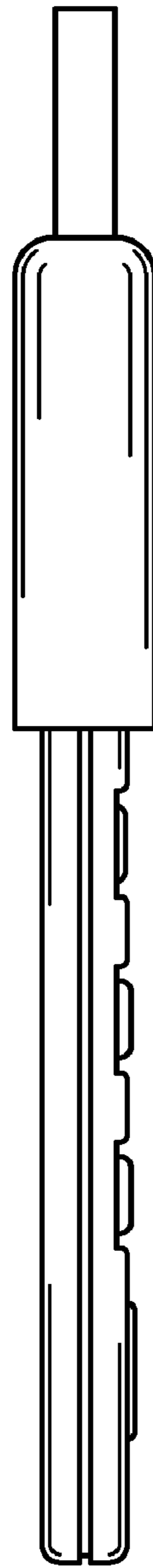


FIG. 6

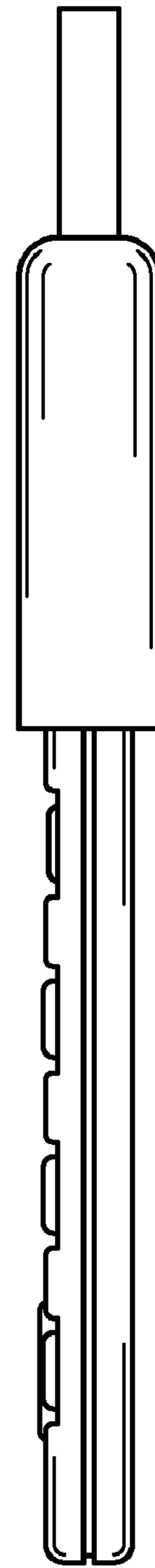


FIG. 7