



US00D587718S

(12) **United States Design Patent**  
**Griffin**

(10) **Patent No.:** **US D587,718 S**  
(45) **Date of Patent:** **\*\* Mar. 3, 2009**

(54) **NAVIGATIONAL CONTROLLER OF A  
HANDHELD ELECTRONIC DEVICE**

(75) Inventor: **Jason T. Griffin**, Kitchener (CA)

(73) Assignee: **Research in Motion Limited**, Waterloo,  
Ontario (CA)

(\*\*) Term: **14 Years**

(21) Appl. No.: **29/281,844**

(22) Filed: **Jul. 3, 2007**

**Related U.S. Application Data**

(62) Division of application No. 29/253,914, filed on Feb.  
13, 2006, now Pat. No. Des. 556,207.

(51) **LOC (9) Cl.** ..... **14-02**

(52) **U.S. Cl.** ..... **D14/455**

(58) **Field of Classification Search** ..... D14/137,  
D14/138, 144, 147, 148, 218, 247, 248, 329,  
D14/331, 333, 338-9, 341-7, 387, 390-2,  
D14/396-399, 432, 454, 455, 456; D18/1,  
D18/2, 6, 7, 12.2, 25, 52; D21/329; 235/145 R;  
341/22, 27, 28; 345/168, 169, 170, 171,  
345/172, 947, 948; 379/368, 915, 433.07;  
400/109, 110, 111, 472, 484, 485, 486, 488,  
400/489, 490, 491, 492; 455/550.1, 556.2,  
455/186.2

See application file for complete search history.

(56) **References Cited**

**U.S. PATENT DOCUMENTS**

D471,201 S 3/2003 Tsukuda  
D477,596 S \* 7/2003 Hayes ..... D14/343

D478,883 S 8/2003 Jensfelt et al.  
D479,514 S \* 9/2003 Chan ..... D14/138  
D491,930 S 6/2004 Widiaman et al.  
D492,657 S 7/2004 Jensfelt  
D492,660 S \* 7/2004 Kim et al. .... D14/138  
6,785,565 B2 8/2004 Gventer  
6,810,272 B2 10/2004 Kraft et al.  
D498,752 S \* 11/2004 Kagami et al. .... D14/248

(Continued)

**FOREIGN PATENT DOCUMENTS**

EP 000088547-0001 10/2003

**OTHER PUBLICATIONS**

Motorola ROKR E1, Sep. 2005, [http://www.gsmarena.com/motorola\\_rokr\\_e1-1273.php](http://www.gsmarena.com/motorola_rokr_e1-1273.php).

*Primary Examiner*—Cathron C Brooks

*Assistant Examiner*—Angela J Lee

(74) *Attorney, Agent, or Firm*—Novak Druce + Quigg LLP

(57) **CLAIM**

The ornamental design for a navigational controller of a hand-  
held electronic device, as shown and described.

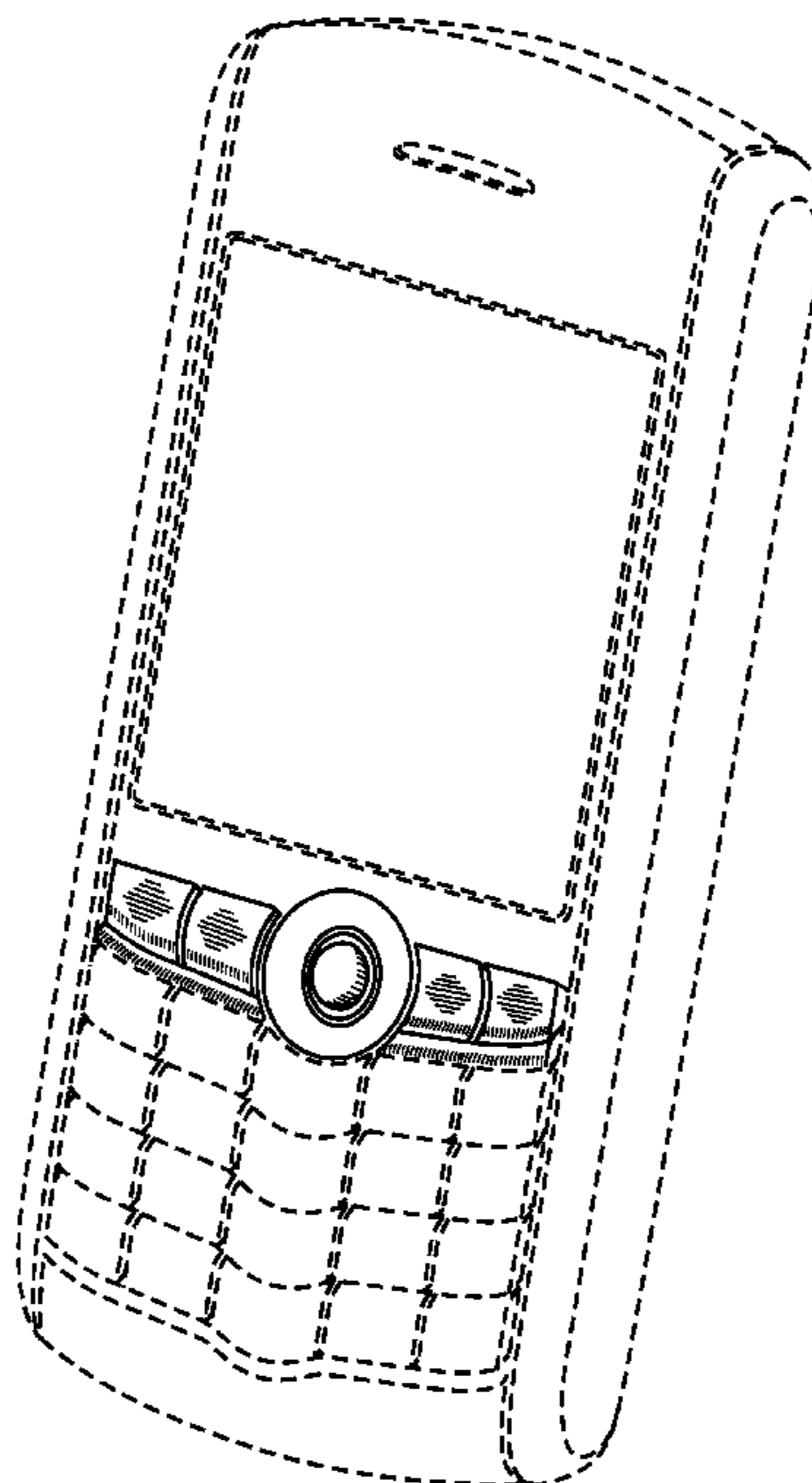
**DESCRIPTION**

FIG. 1 is a front perspective view of a navigational controller of  
a handheld electronic device; and,

FIG. 2 is a front elevational view thereof.

The broken lines beneath the navigation row represent bound-  
aries of the unclaimed area. The broken line showing of a  
handheld electronic device is included for the purpose of  
illustrating environmental structure and forms no part of the  
claimed design.

**1 Claim, 2 Drawing Sheets**



# US D587,718 S

Page 2

## U.S. PATENT DOCUMENTS

D502,933 S *	3/2005	Munstermann .....	D14/138	D556,175 S	11/2007	Hong et al.	
D503,163 S *	3/2005	Chan et al. ....	D14/138	D556,207 S	11/2007	Griffin	
6,865,404 B1	3/2005	Tikkala et al.		D556,726 S	12/2007	Dai	
D514,542 S *	2/2006	Bertrand et al. ....	D14/138	D556,749 S	12/2007	Rak et al.	
D524,279 S *	7/2006	Lai .....	D14/138	2004/0233173 A1	11/2004	Bryant	
D524,786 S *	7/2006	Paradise et al. ....	D14/138	2005/0014537 A1*	1/2005	Gammon et al. ....	455/575.1
D524,803 S	7/2006	Tyneski et al.		2005/0266898 A1*	12/2005	Ahn et al. ....	455/575.1
D530,697 S *	10/2006	Wei et al. ....	D14/138	2006/0192764 A1	8/2006	Siddiqui	
D538,251 S	3/2007	Park et al.		2006/0279434 A1	12/2006	Wang	
D541,247 S *	4/2007	Lee et al. ....	D14/138	2007/0188462 A1	8/2007	Lee et al.	
7,203,467 B2	4/2007	Siddiqui		2007/0191078 A1	8/2007	Kim	
D542,285 S	5/2007	O'Neil et al.		2007/0234208 A1	10/2007	Scott	
D543,190 S	5/2007	Huang et al.		2007/0254698 A1	11/2007	Griffin et al.	
D550,186 S	9/2007	Rak		2007/0259698 A1	11/2007	Chen et al.	
D550,665 S	9/2007	Griffin et al.		2007/0287391 A1	12/2007	Hofer et al.	
D551,227 S	9/2007	Griffin et al.		2008/0020810 A1	1/2008	Park	
				2008/0032637 A1	2/2008	Ladouceur et al.	

\* cited by examiner

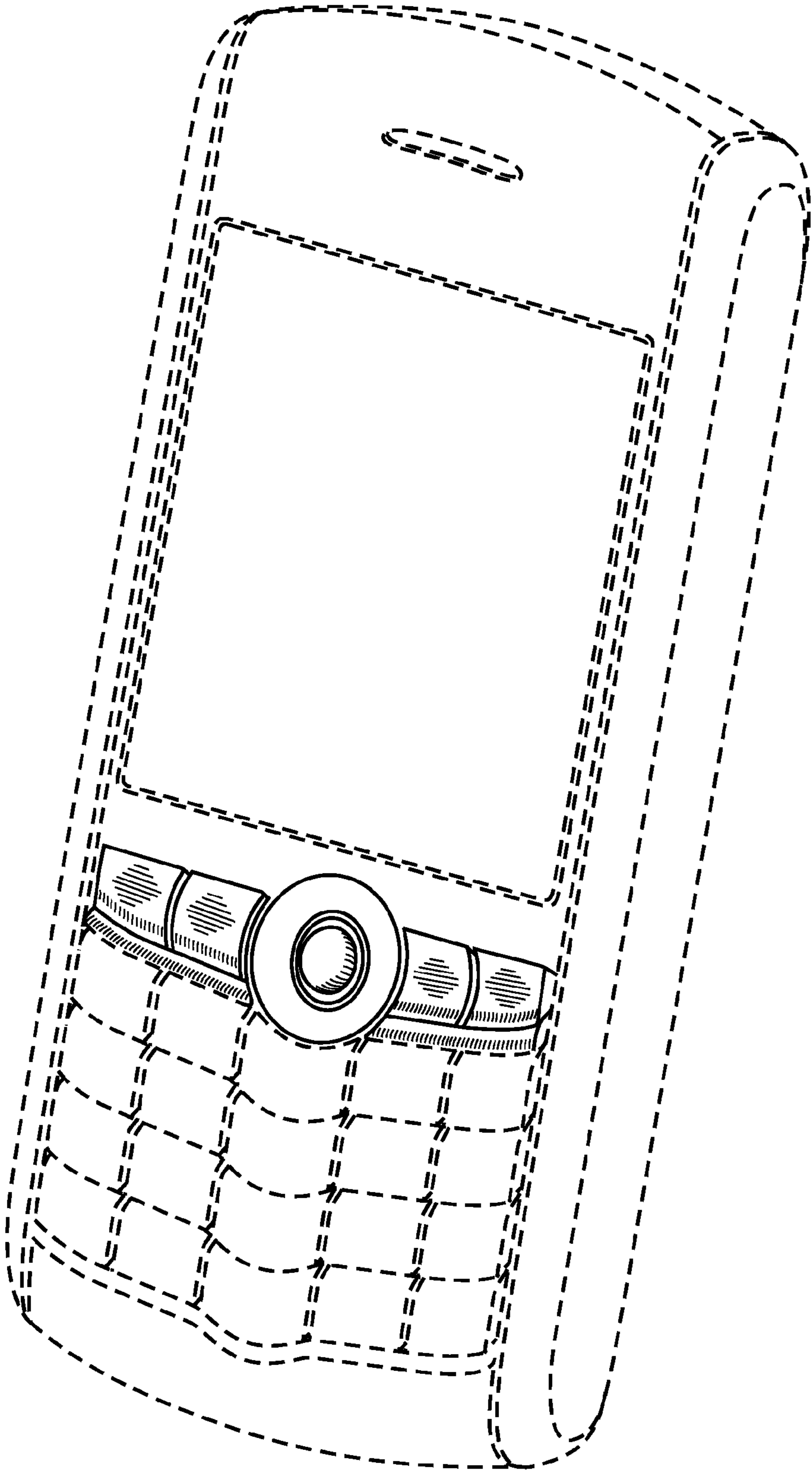


FIG. 1

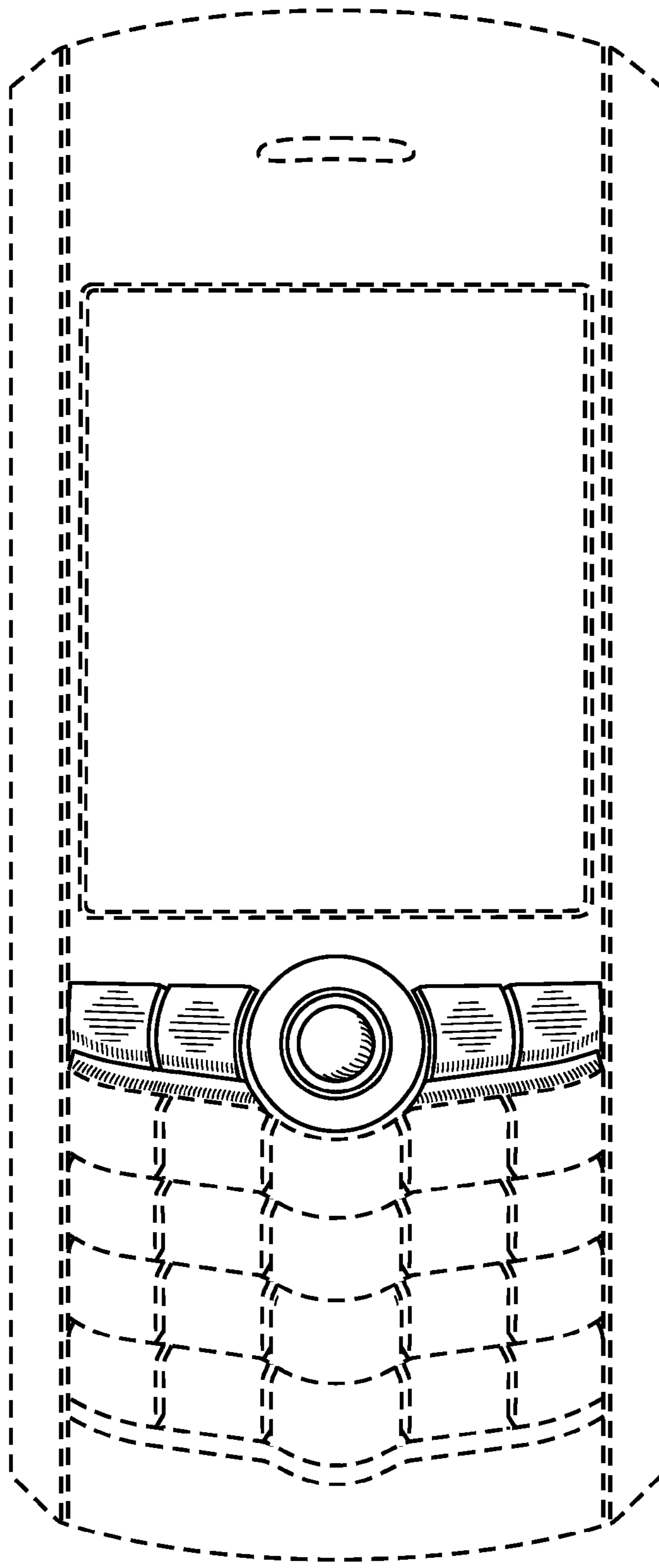


FIG. 2