



US00D587717S

(12) **United States Design Patent**  
**Harris**

(10) **Patent No.:** **US D587,717 S**  
(45) **Date of Patent:** **\*\* Mar. 3, 2009**

(54) **GAME CONTROLLER COVER**

(76) Inventor: **Curtis J. Harris**, 14701 Seneca Rd.,  
Darnestown, MD (US) 20874

(\*\*) Term: **14 Years**

(21) Appl. No.: **29/300,639**

(22) Filed: **Apr. 22, 2008**

**Related U.S. Application Data**

(62) Division of application No. 29/269,041, filed on Nov.  
20, 2006, now Pat. No. Des. 570,854.

(51) **LOC (9) Cl.** ..... **14-02**

(52) **U.S. Cl.** ..... **D14/454; D21/333**

(58) **Field of Classification Search** ..... D14/454,  
D14/455, 388, 400-10, 418, 432, 439, 440,  
D14/448, 449, 450, 457, 458, 299, 250; 345/163-6;  
D3/201, 273, 294, 300, 315, 318, 328, 269,  
D3/271.2, 218; 150/165; 206/320, 305,  
206/579, 315.1, 592; D18/56; D6/407, 632,  
D6/633, 634; 248/309.1, 176.1; 200/302.1,  
200/333, 6 R; D21/324, 333; 273/148 B;  
463/47; 224/191, 247, 929, 630

See application file for complete search history.

(56) **References Cited**

**U.S. PATENT DOCUMENTS**

D396,495 S *	7/1998	Hirokane	.....	D21/385
D452,247 S *	12/2001	Flynn	.....	D14/454
D453,758 S *	2/2002	Han et al.	.....	D14/401
D461,631 S *	8/2002	Hussaini et al.	.....	D3/218
D464,996 S *	10/2002	Hussaini et al.	.....	D21/333
D465,244 S *	11/2002	Hussaini et al.	.....	D21/333
D467,621 S *	12/2002	Ku	.....	D21/333
D470,192 S *	2/2003	Ku	.....	D21/333
D515,807 S *	2/2006	Faillace	.....	D3/218
D521,567 S *	5/2006	Svensen et al.	.....	D21/333
D534,962 S *	1/2007	Svensen et al.	.....	D21/333
2002/0180148 A1 *	12/2002	Kozziel	.....	273/148 B
2002/0195771 A1 *	12/2002	Ku	.....	273/148 B
2008/0122173 A1 *	5/2008	Harris	.....	273/148 B

\* cited by examiner

*Primary Examiner*—Jennifer Rivard  
*Assistant Examiner*—Angela J Lee

(74) *Attorney, Agent, or Firm*—Squire, Sanders & Dempsey  
L.L.P.

(57) **CLAIM**

The ornamental design for a game controller cover, as shown  
and described.

**DESCRIPTION**

FIG. 1 is a perspective view of a first embodiment of the game  
controller cover;

FIG. 2 is a front view thereof;

FIG. 3 is a bottom view thereof;

FIG. 4 is a top view thereof;

FIG. 5 is a back view thereof;

FIG. 6 is a left view thereof;

FIG. 7 is a right view thereof;

FIG. 8 is a perspective view of a second embodiment of the  
game controller cover;

FIG. 9 is a front view thereof;

FIG. 10 is a bottom view thereof;

FIG. 11 is a top view thereof;

FIG. 12 is back view thereof;

FIG. 13 is a left view thereof;

FIG. 14 is a right view thereof;

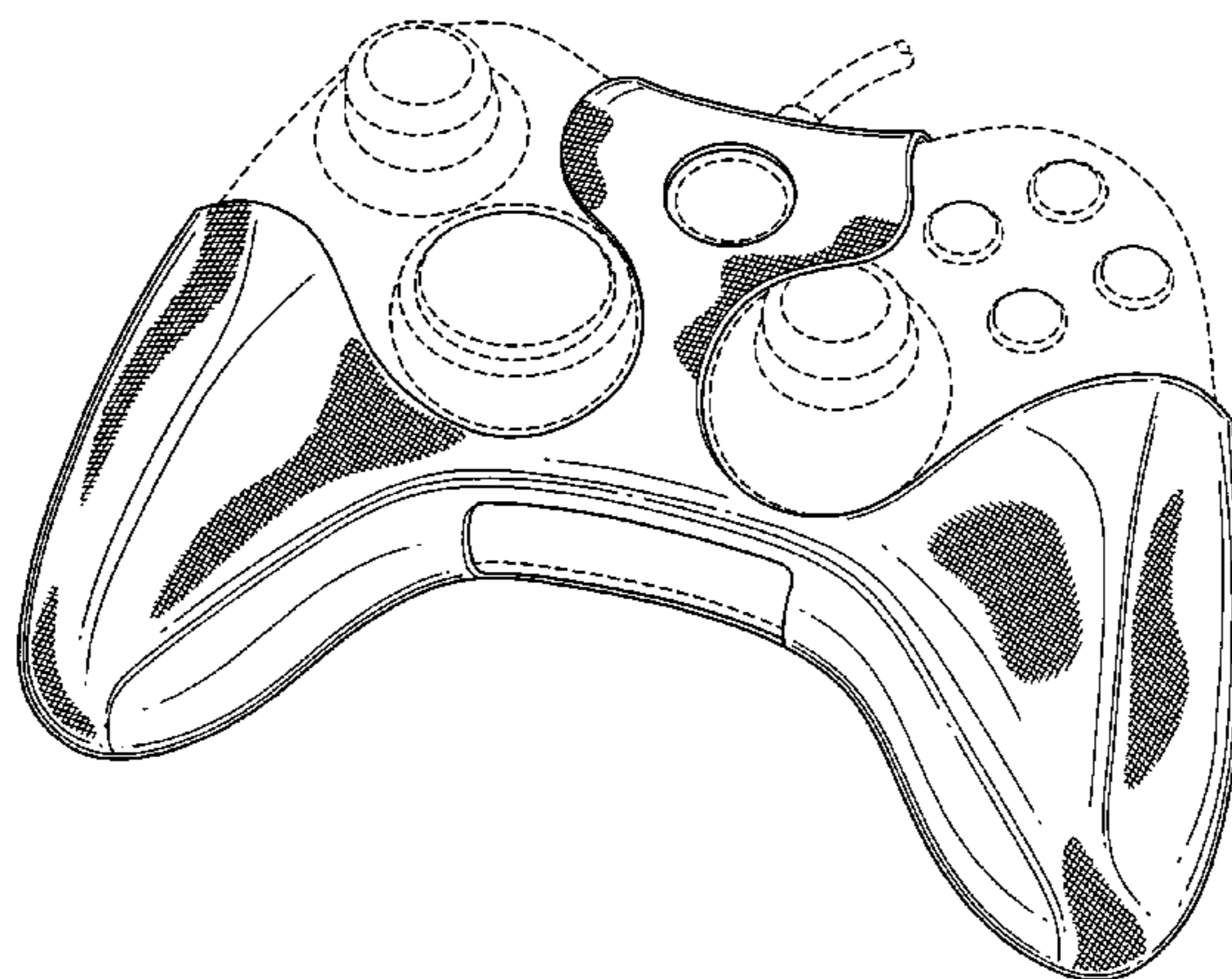
FIG. 15 is a front view of the second embodiment showing the  
game controller cover in an alternate position, not applied to  
a controller; and,

FIG. 16 is a back view thereof.

It is understood that the textured pattern of the material of the  
game controller cover and the representation of hook and loop  
tape is continuous within the bounded surfaces, but for ease of  
illustration these patterns are only partially shown in the  
drawings.

The broken line showing of a game controller is included for  
the purpose of illustrating environment and forms no part of  
the claimed design.

**1 Claim, 12 Drawing Sheets**



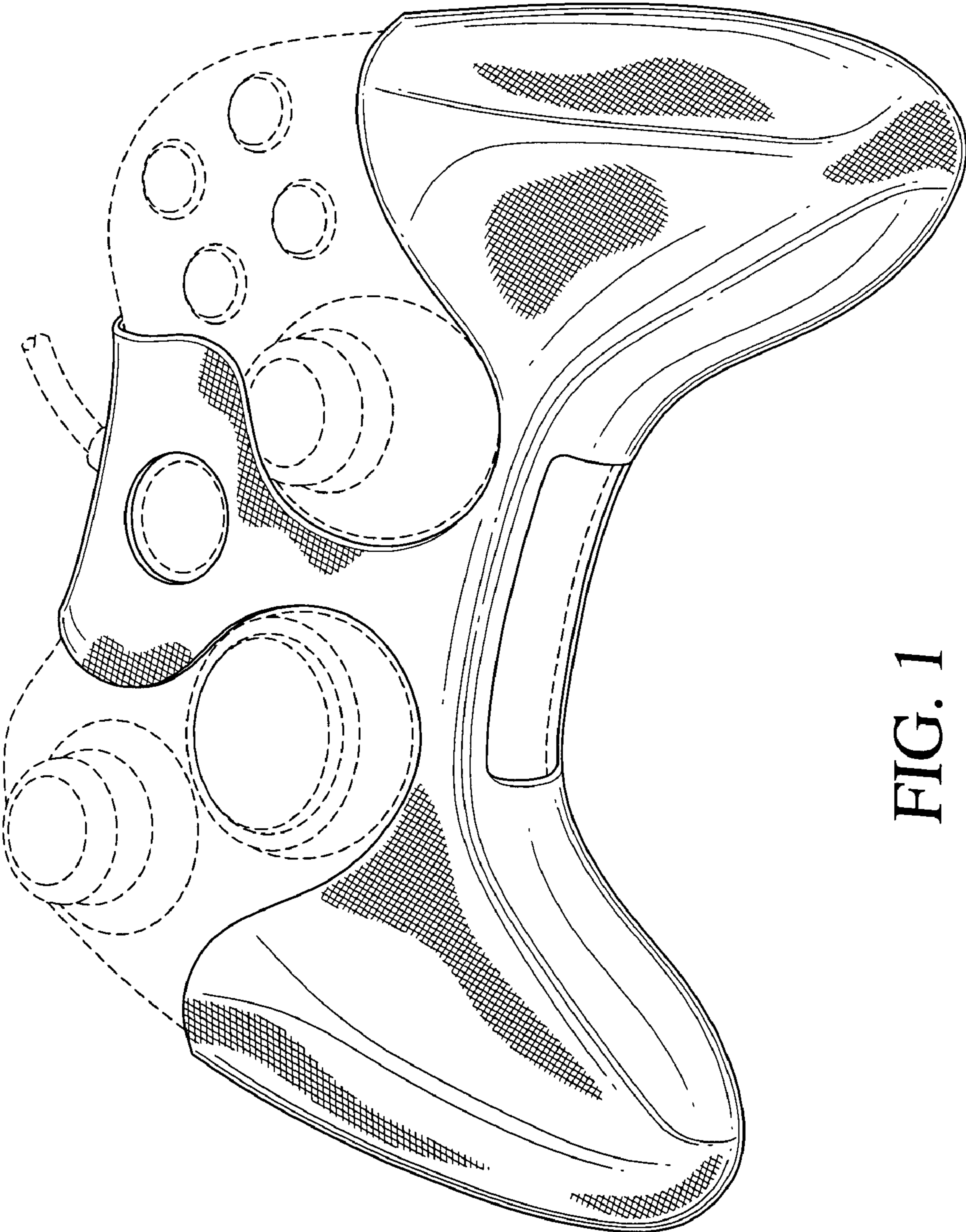


FIG. 1

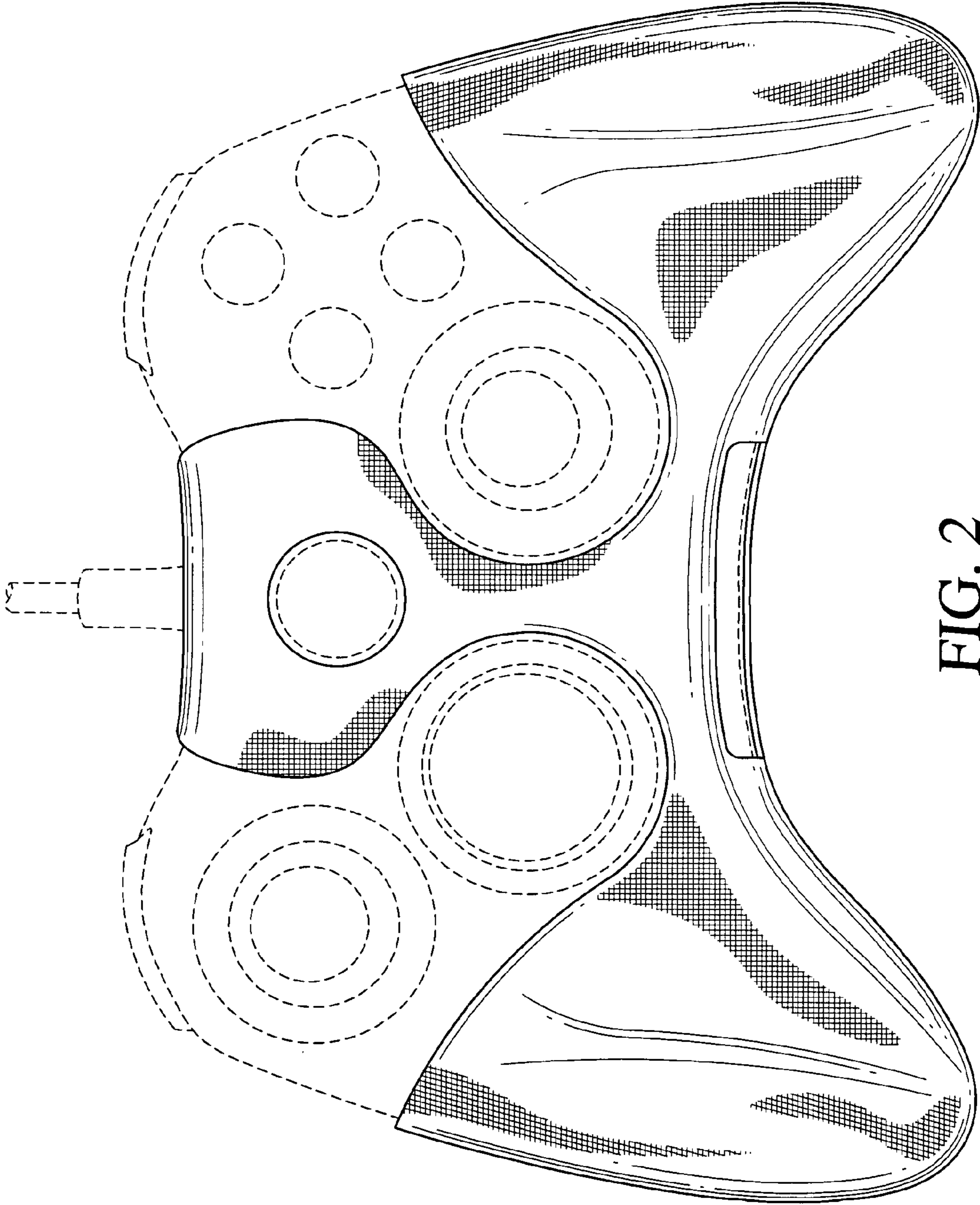


FIG. 2

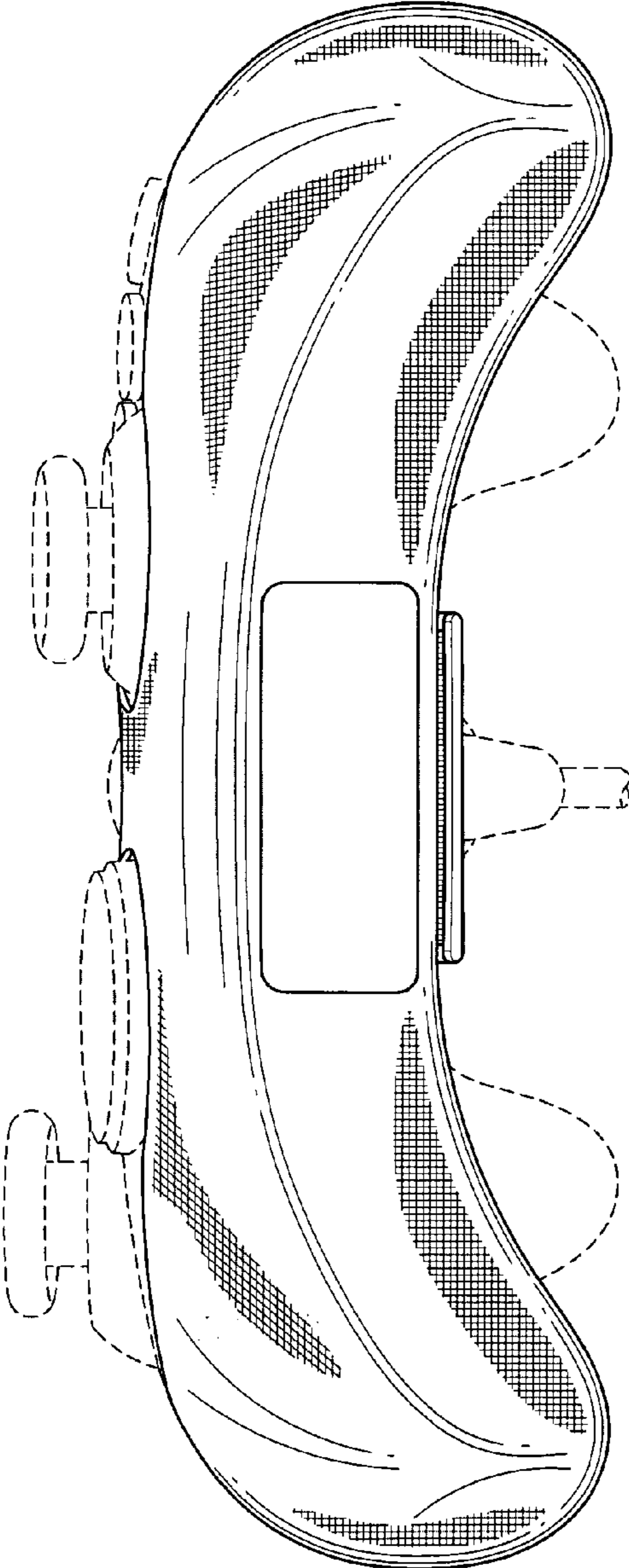


FIG. 3

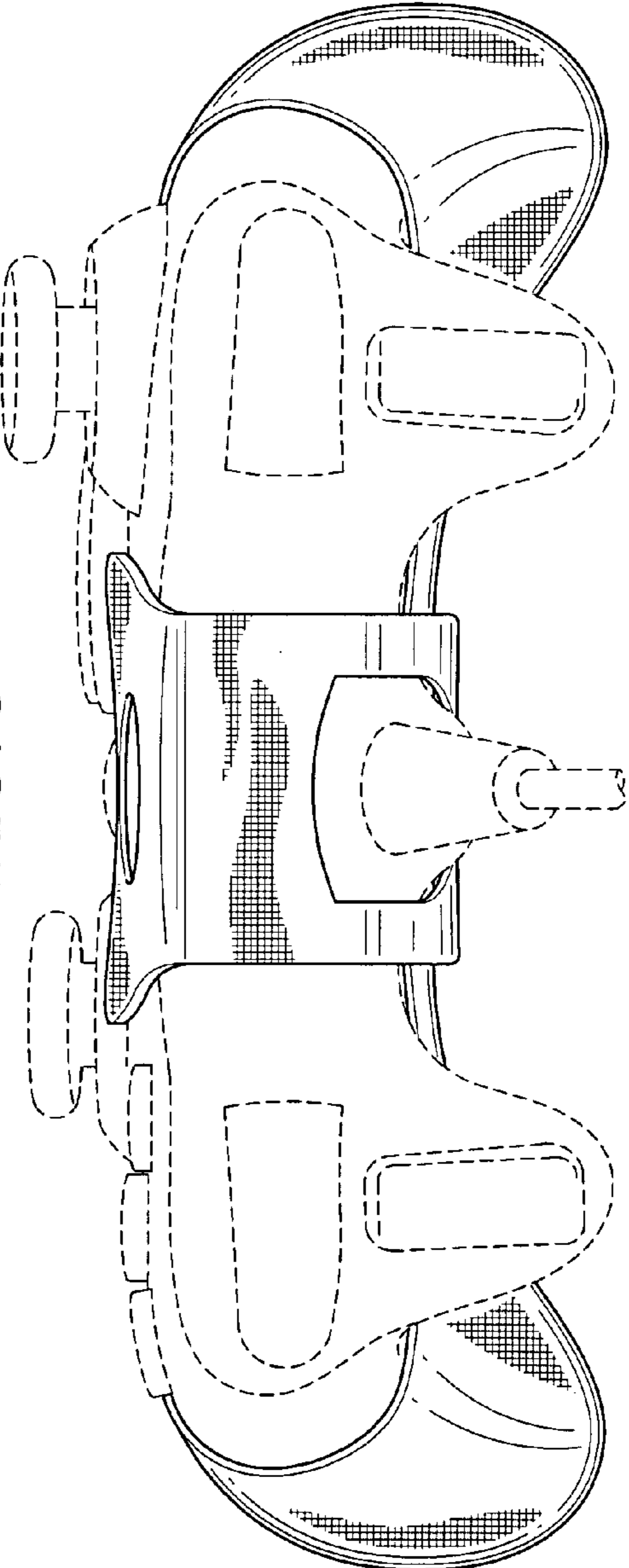


FIG. 4

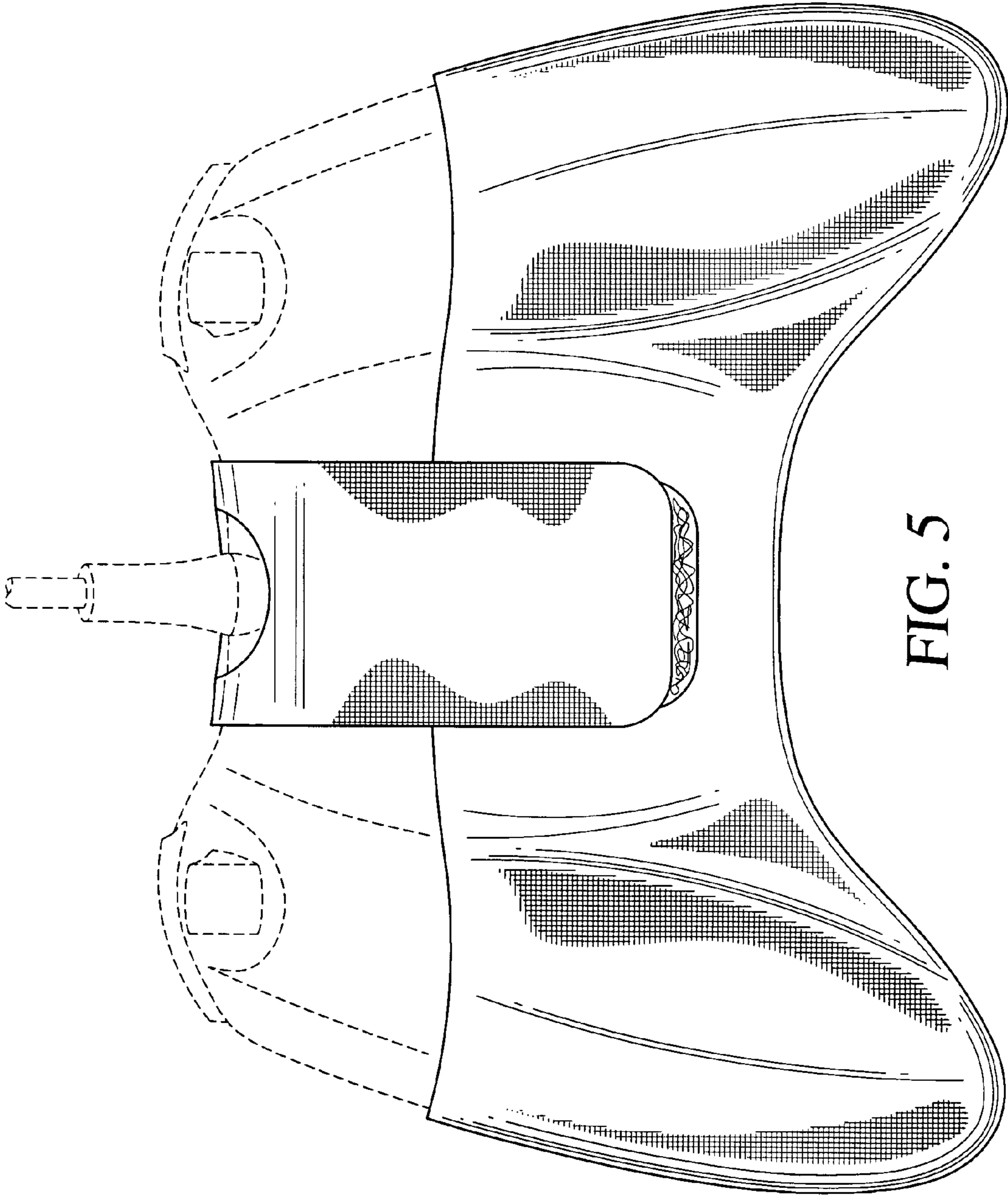


FIG. 5

FIG. 7

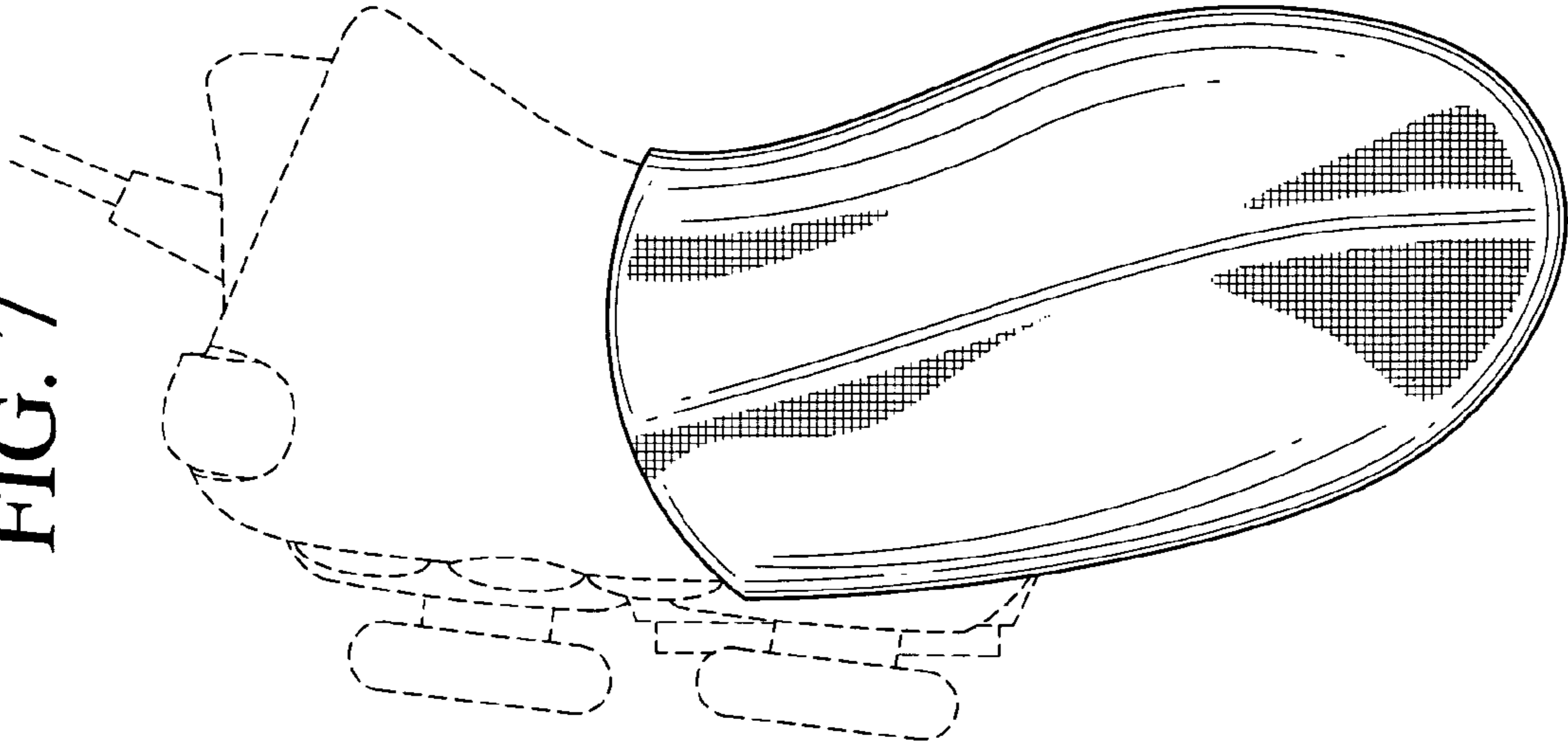
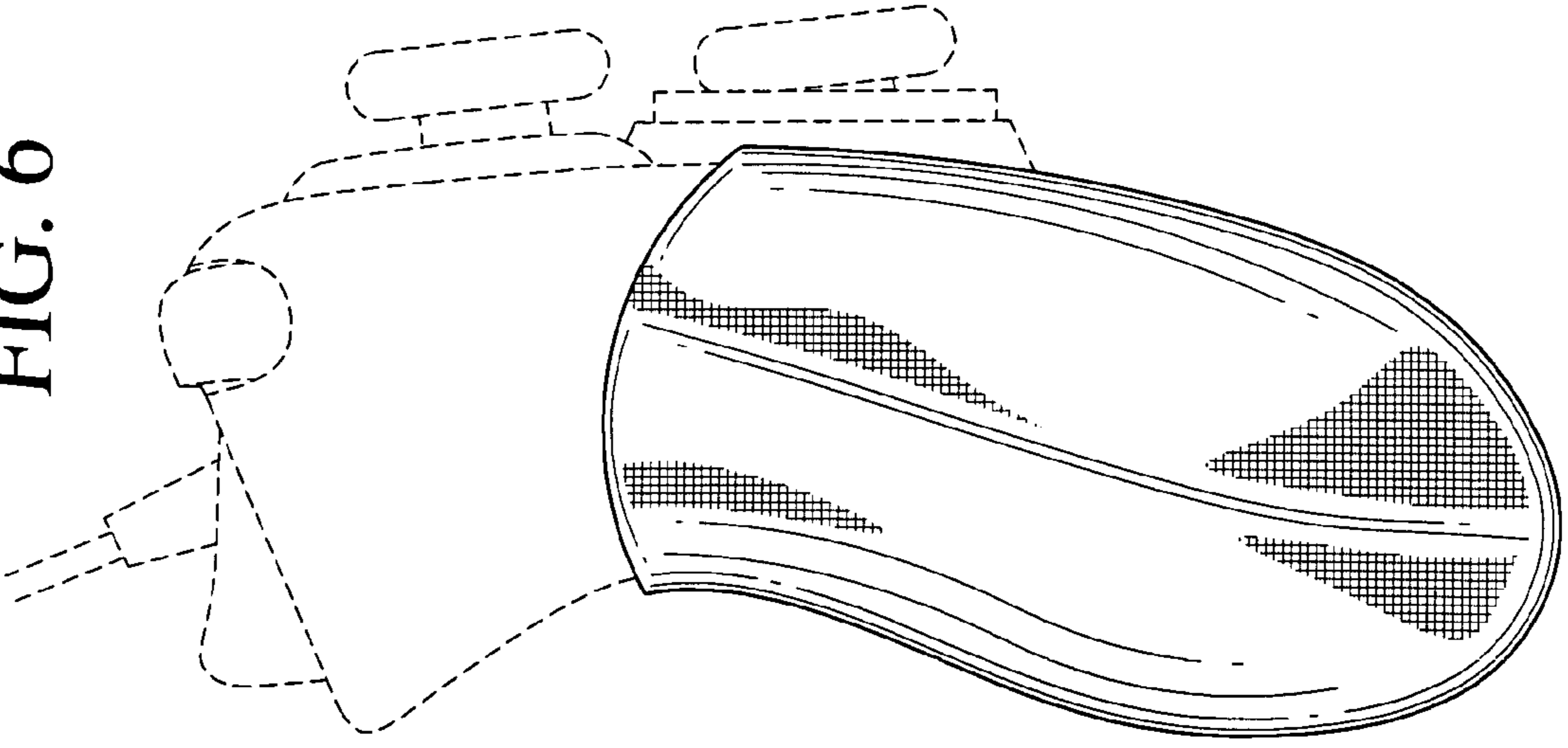


FIG. 6



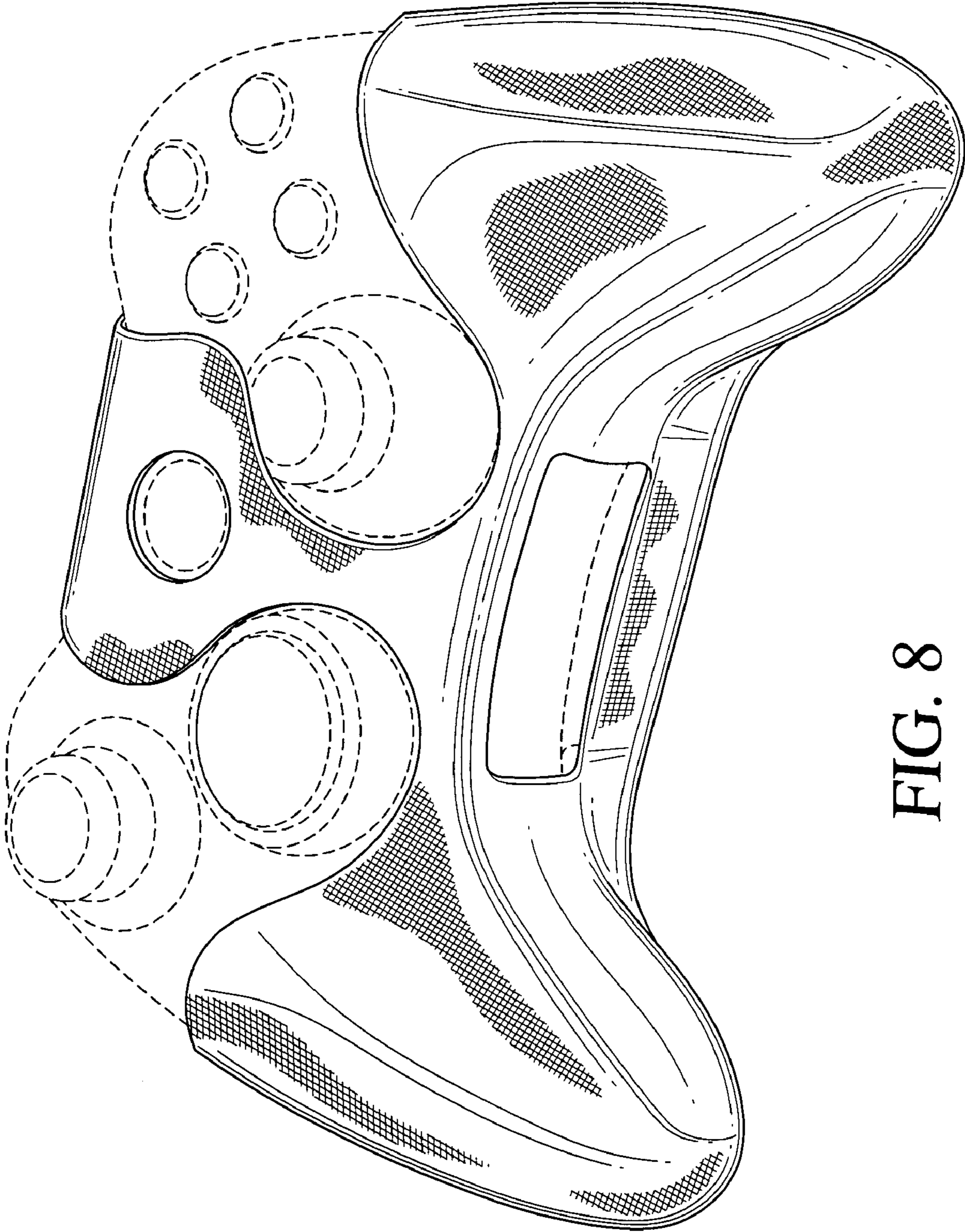


FIG. 8

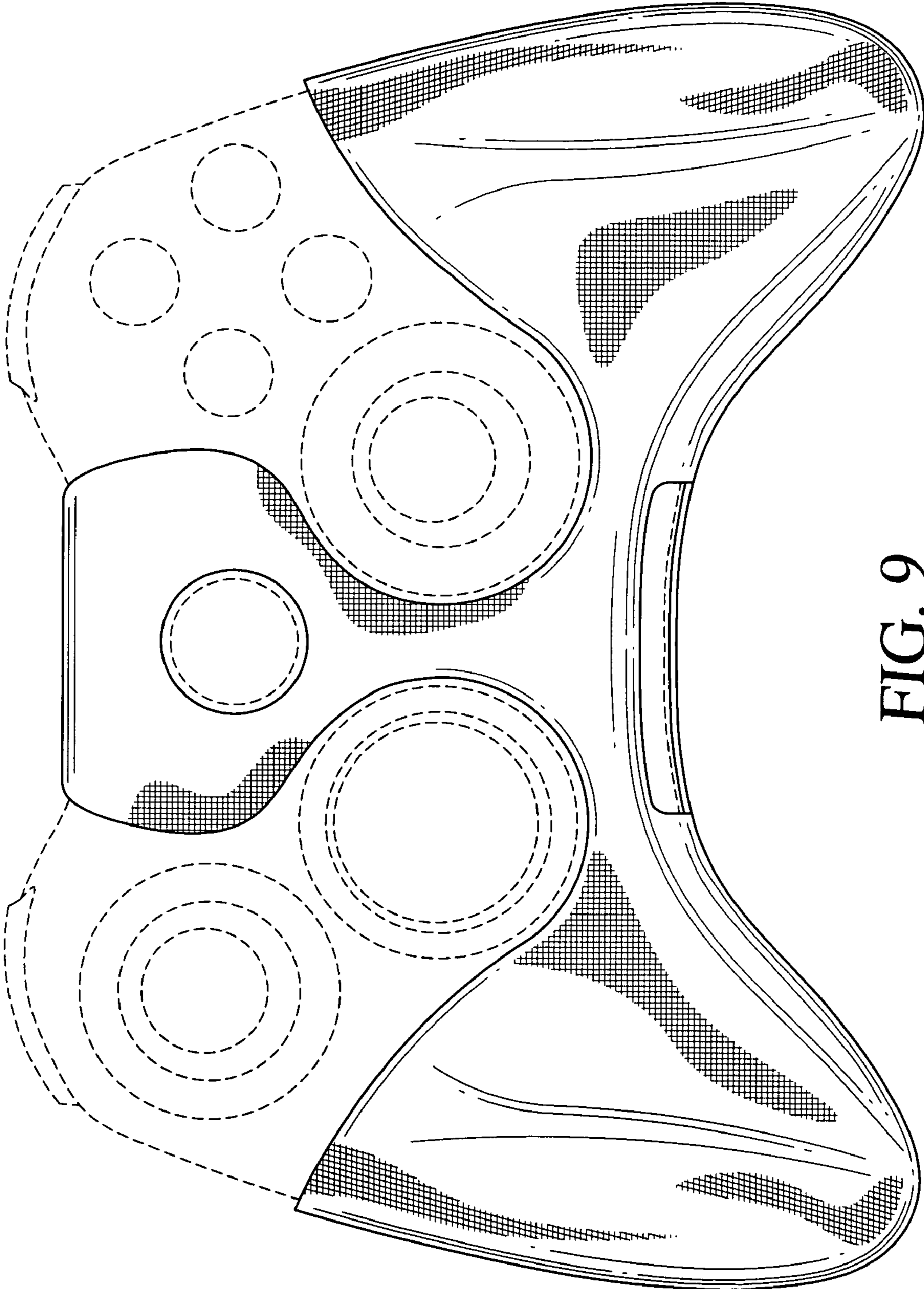


FIG. 9



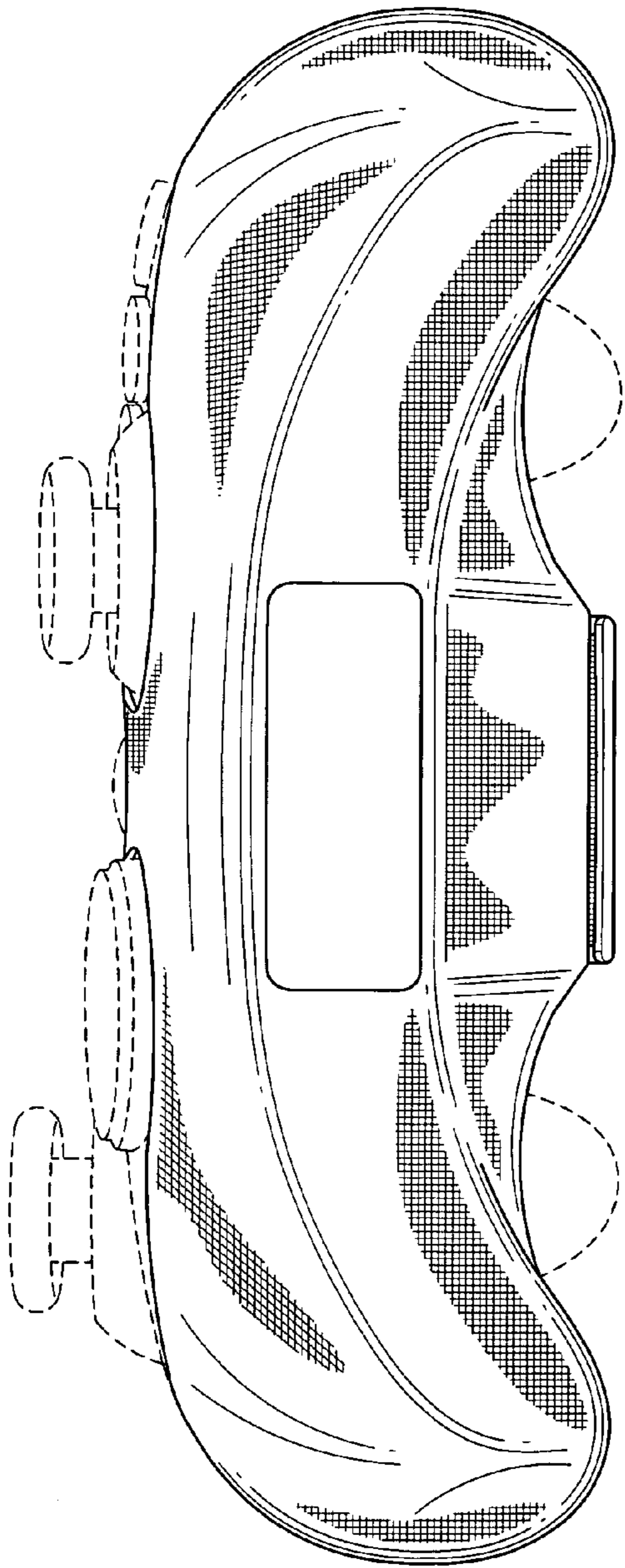


FIG. 10

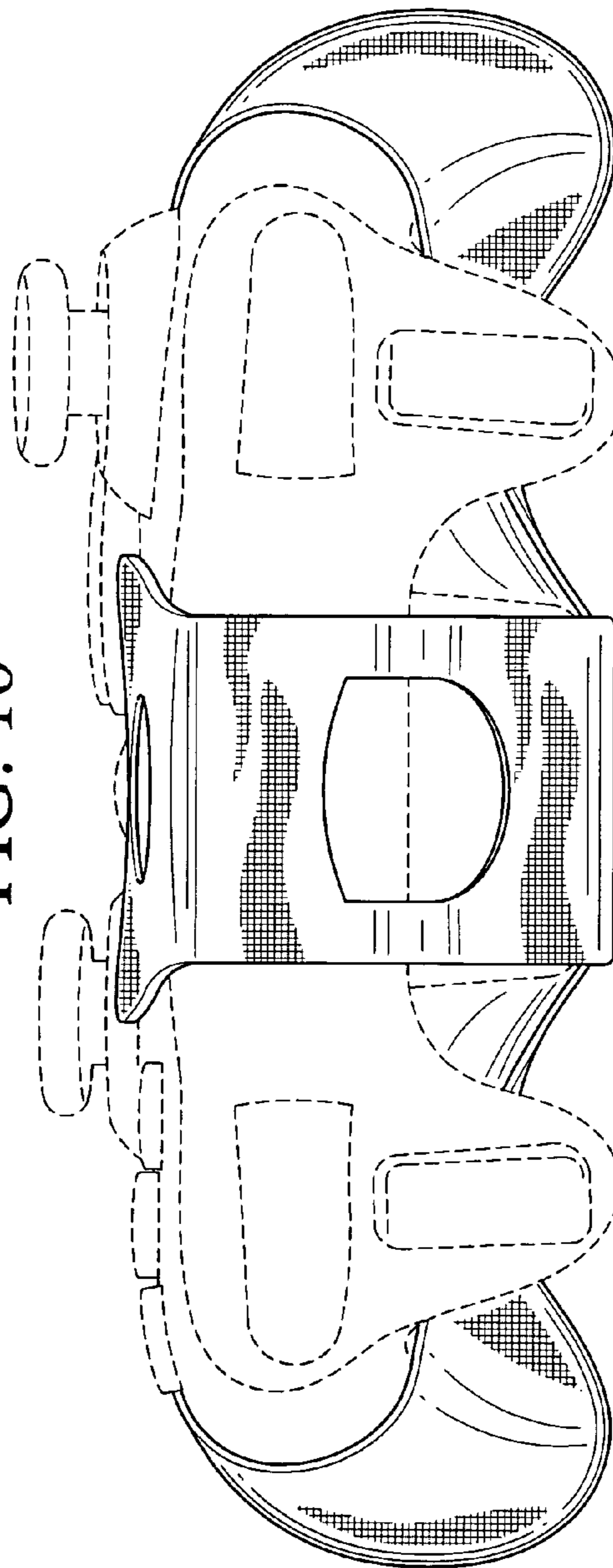


FIG. 11

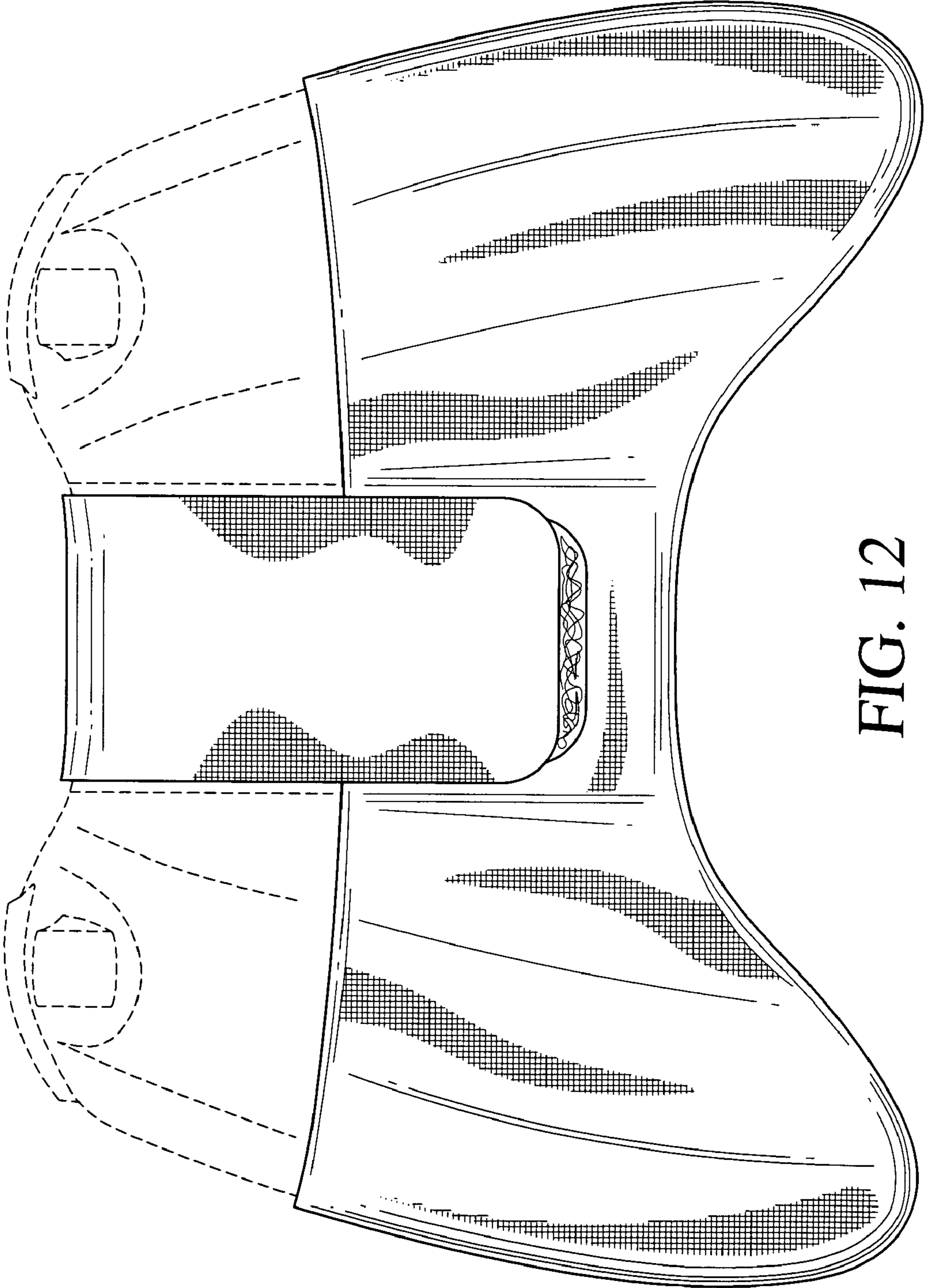


FIG. 12

FIG. 14

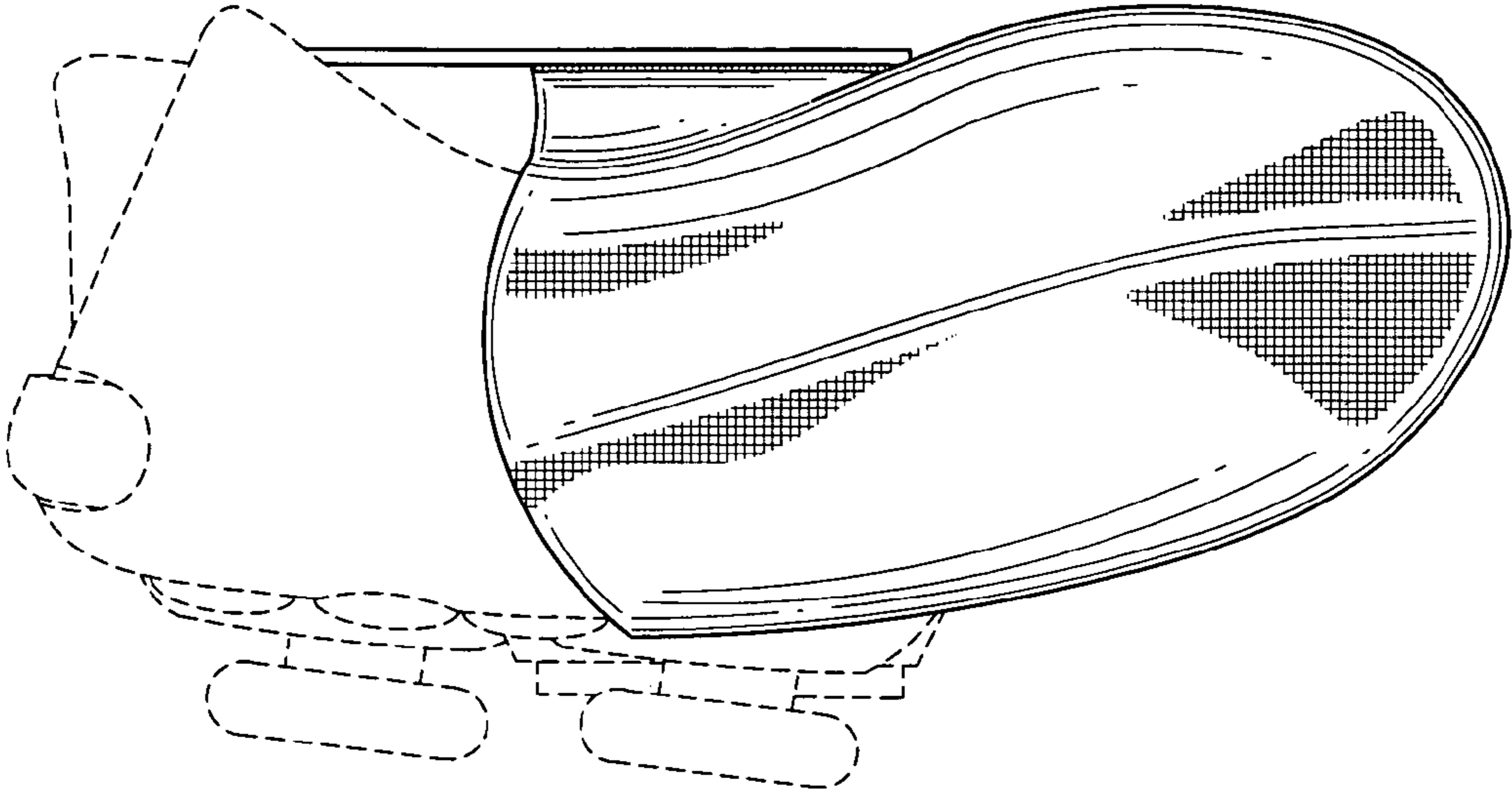
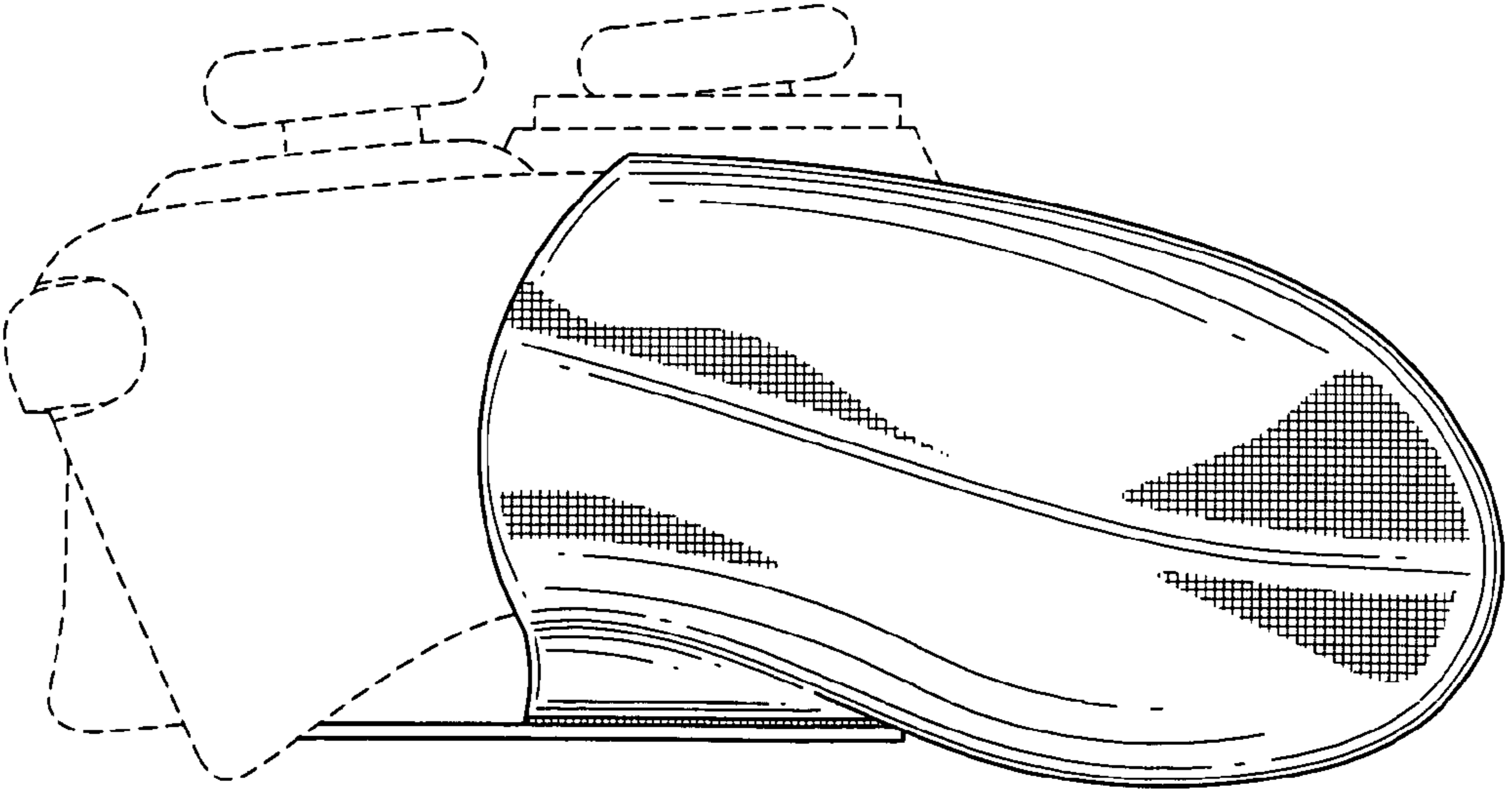


FIG. 13



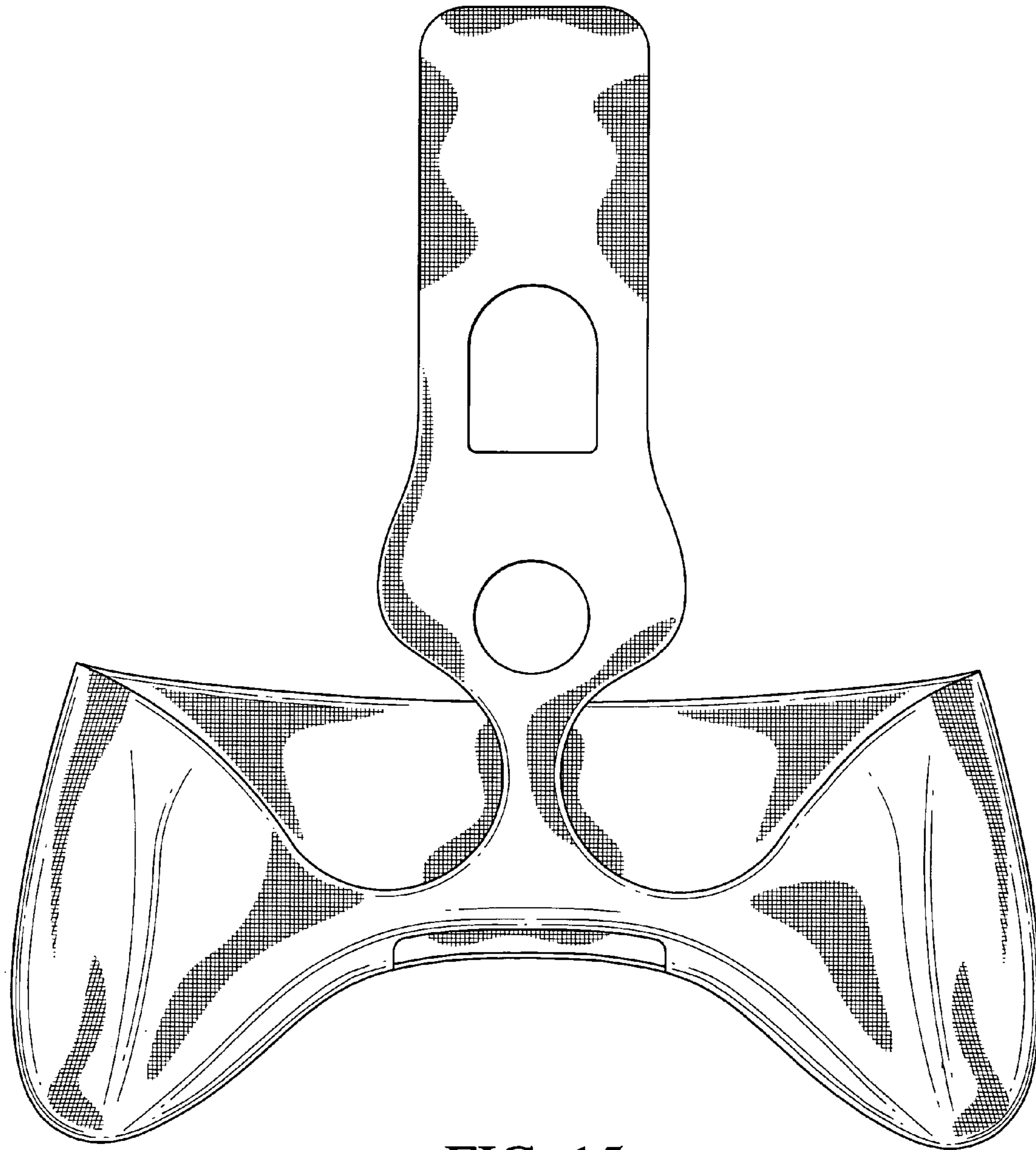


FIG. 15

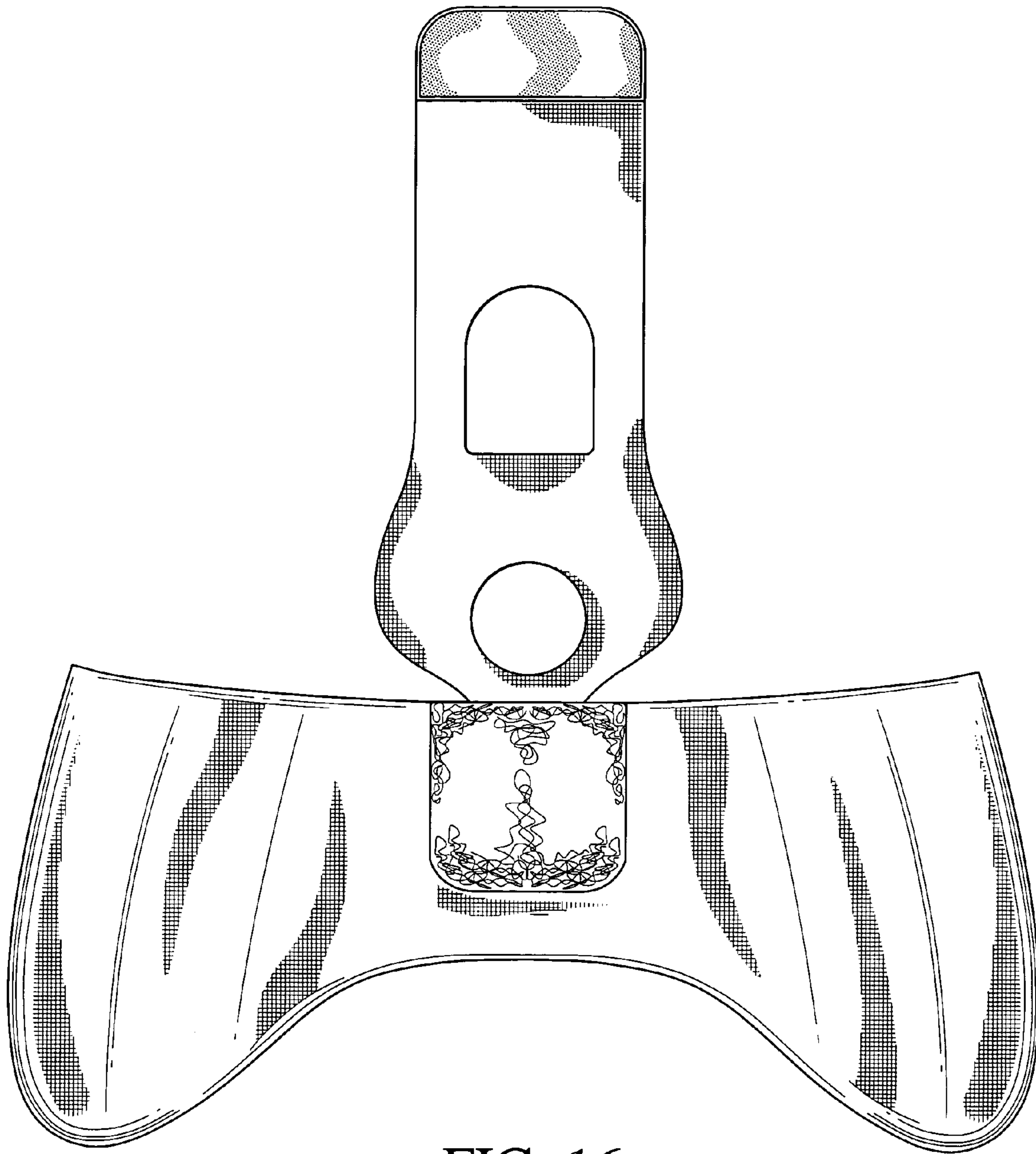


FIG. 16