



US00D587716S

(12) **United States Design Patent**
Hau et al.

(10) **Patent No.:** **US D587,716 S**
(45) **Date of Patent:** **** *Mar. 3, 2009**

(54) **EXTRA-LARGE CANTILEVER MOUNT FOR A FLAT PANEL DISPLAY**

(75) Inventors: **Flavio Hau**, Tempe, AZ (US); **Brett Stenhouse**, Phoenix, AZ (US); **Zachary Eyman**, Phoenix, AZ (US); **Korry Hoglan**, Phoenix, AZ (US); **David Anderson**, Mesa, AZ (US); **Tom Muday**, Scottsdale, AZ (US); **Vivek Jayaprakasan**, Tempe, AZ (US)

(73) Assignee: **Omnimount Systems, Inc.**, Phoenix, AZ (US)

(*) Notice: This patent is subject to a terminal disclaimer.

(**) Term: **14 Years**

(21) Appl. No.: **29/281,162**

(22) Filed: **Jun. 15, 2007**

Related U.S. Application Data

(63) Continuation-in-part of application No. 29/278,273, filed on Mar. 23, 2007, now abandoned, which is a continuation of application No. 29/235,668, filed on Aug. 3, 2005, now Pat. No. Des. 539,127.

(51) **LOC (9) Cl.** **08-07**

(52) **U.S. Cl.** **D14/452; D14/239**

(58) **Field of Classification Search** D14/448, D14/450, 451, 452, 439, 447, 432, 371, 373, D14/374, 375, 127, 217, 239; D8/363, 380, D8/373; 248/133, 139, 398, 371, 176.1, 248/274.1, 284.1, 313, 346.03, 917, 918, 248/919, 920, 921, 922, 923, 924, 201, 205.1, 248/220.21, 223.31, 276.1, 281.11, 286.1, 248/309.1, 323, 324, 349.1, 425; 348/825

See application file for complete search history.

(56) **References Cited**

U.S. PATENT DOCUMENTS

D309,307	S	*	7/1990	Sigurdson	D14/251
D323,085	S	*	1/1992	Konkel	D6/466
D409,018	S	*	5/1999	Deuschle	D6/466
D454,136	S	*	3/2002	Deuschle	D14/447
D455,949	S	*	4/2002	Huang	D8/373
D456,415	S	*	4/2002	Deuschle	D14/447
D480,730	S	*	10/2003	Doherty et al.	D14/447
D493,800	S	*	8/2004	Pfister	D14/451
D494,596	S	*	8/2004	Pfister	D14/451
D522,843	S	*	6/2006	Richter	D8/363
7,226,026	B2	*	6/2007	Lin	248/205.5
D549,232	S	*	8/2007	Li et al.	D14/447
D549,709	S	*	8/2007	Richter	D14/447
D557,265	S	*	12/2007	Brown	D14/447
2003/0201372	A1	*	10/2003	Dozier	248/286.1
2007/0040080	A1	*	2/2007	Carnevali	248/205.1

* cited by examiner

Primary Examiner—Jennifer Rivard

Assistant Examiner—Angela J Lee

(74) *Attorney, Agent, or Firm*—Hogan & Hartson LLP

(57) **CLAIM**

The ornamental design for extra-large cantilever mount for a flat panel display, substantially as shown and described.

DESCRIPTION

FIG. 1 is a top, right isometric view of an embodiment of an extra-large cantilever mount for a flat panel display showing our design.

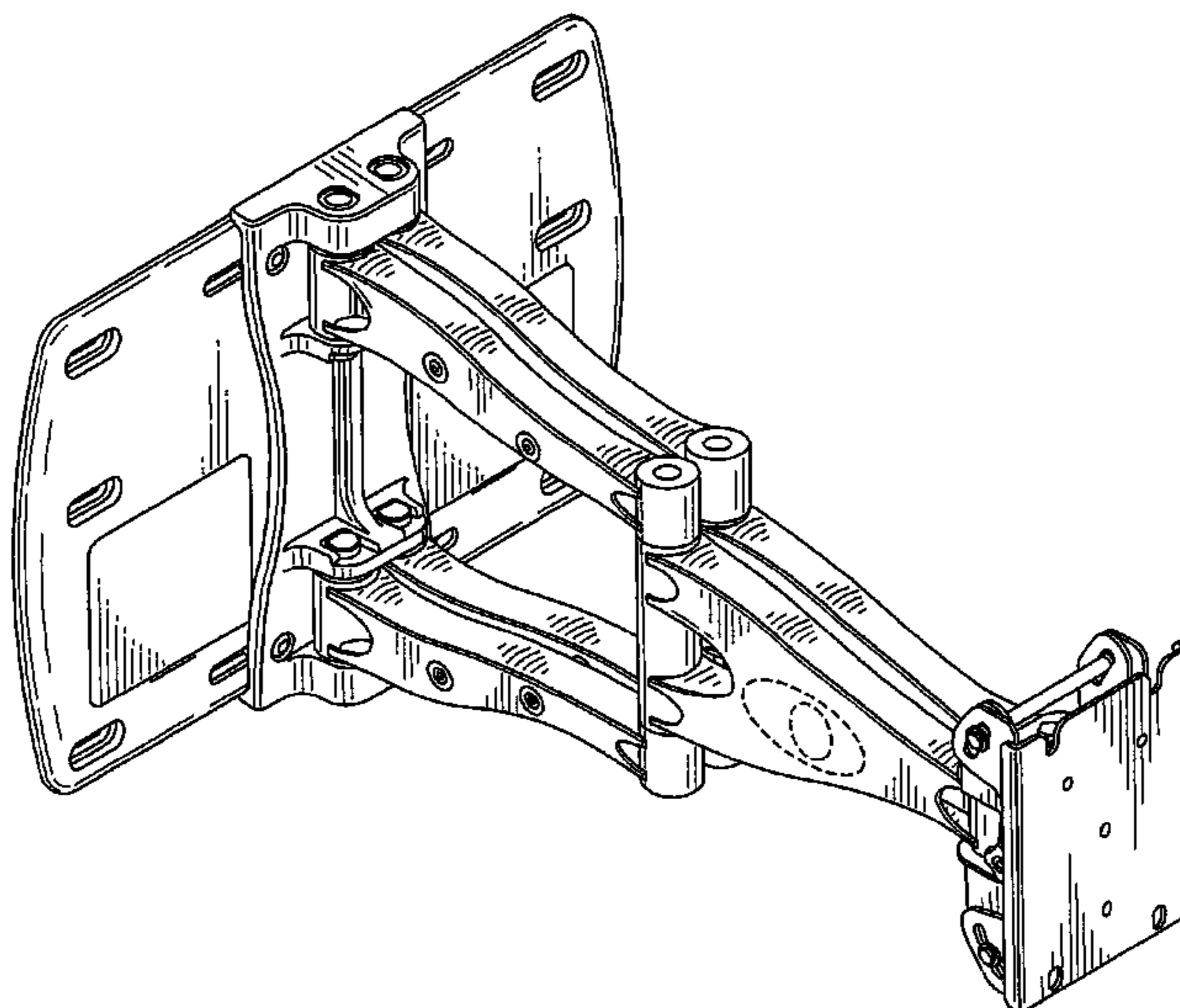
FIG. 2 is a front elevational view thereof.

FIG. 3 is a rear elevational view thereof.

FIG. 4 is a right-side elevational view thereof; the left side elevational view is a mirror image of FIG. 4; and,

FIG. 5 is a top plan view thereof; the bottom plan view is a mirror image of FIG. 5.

1 Claim, 5 Drawing Sheets



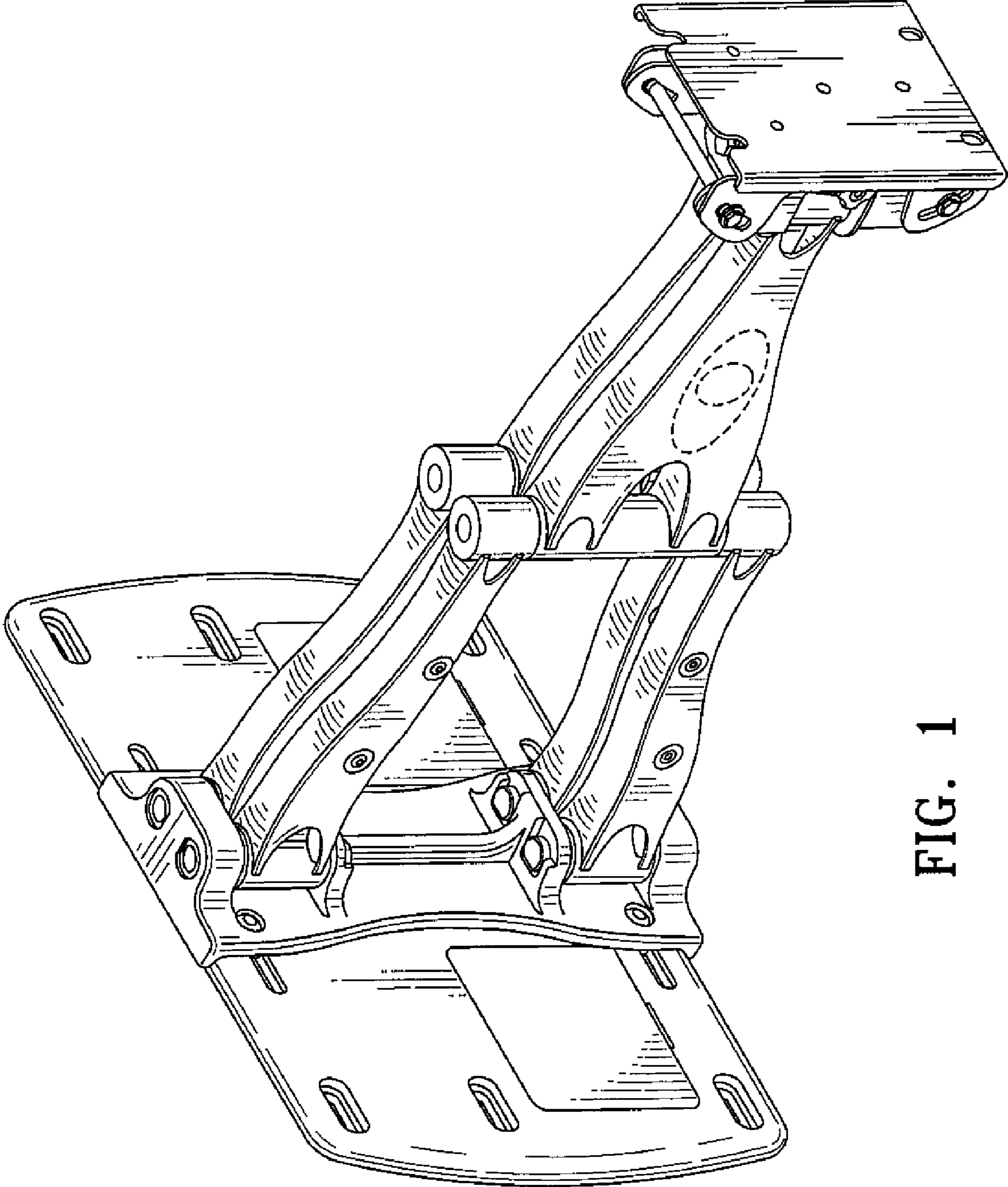


FIG. 1

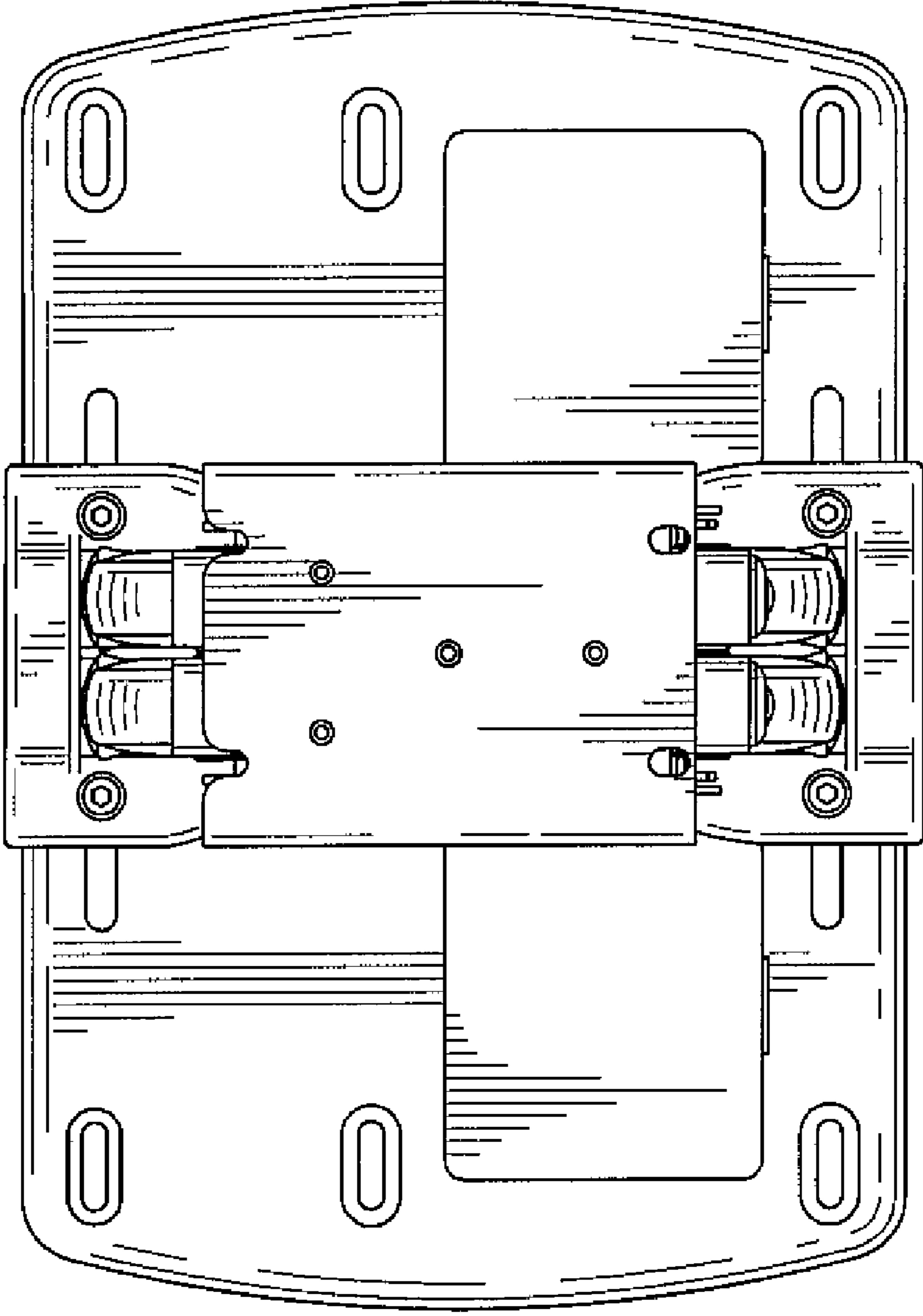


FIG. 2

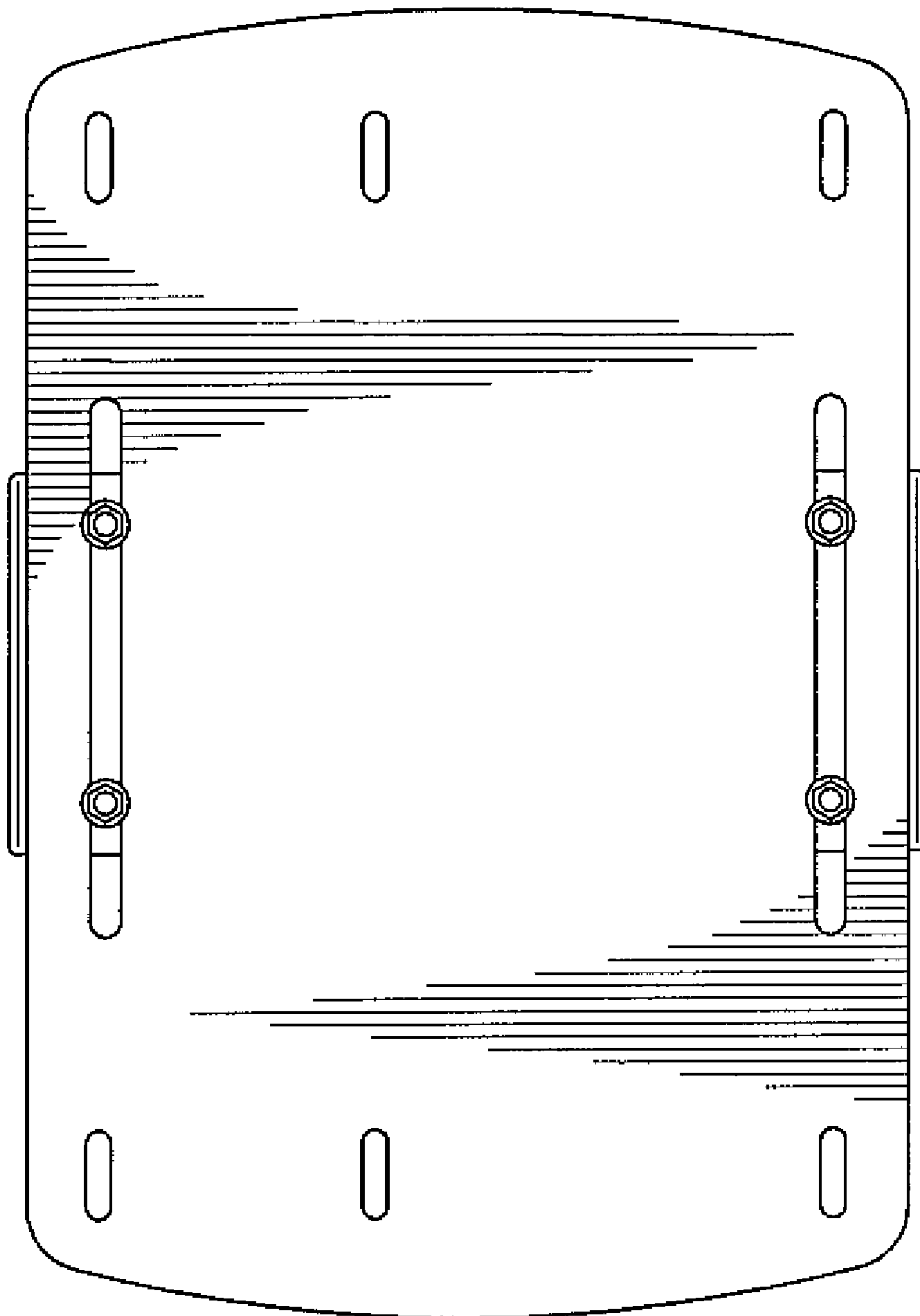


FIG. 3

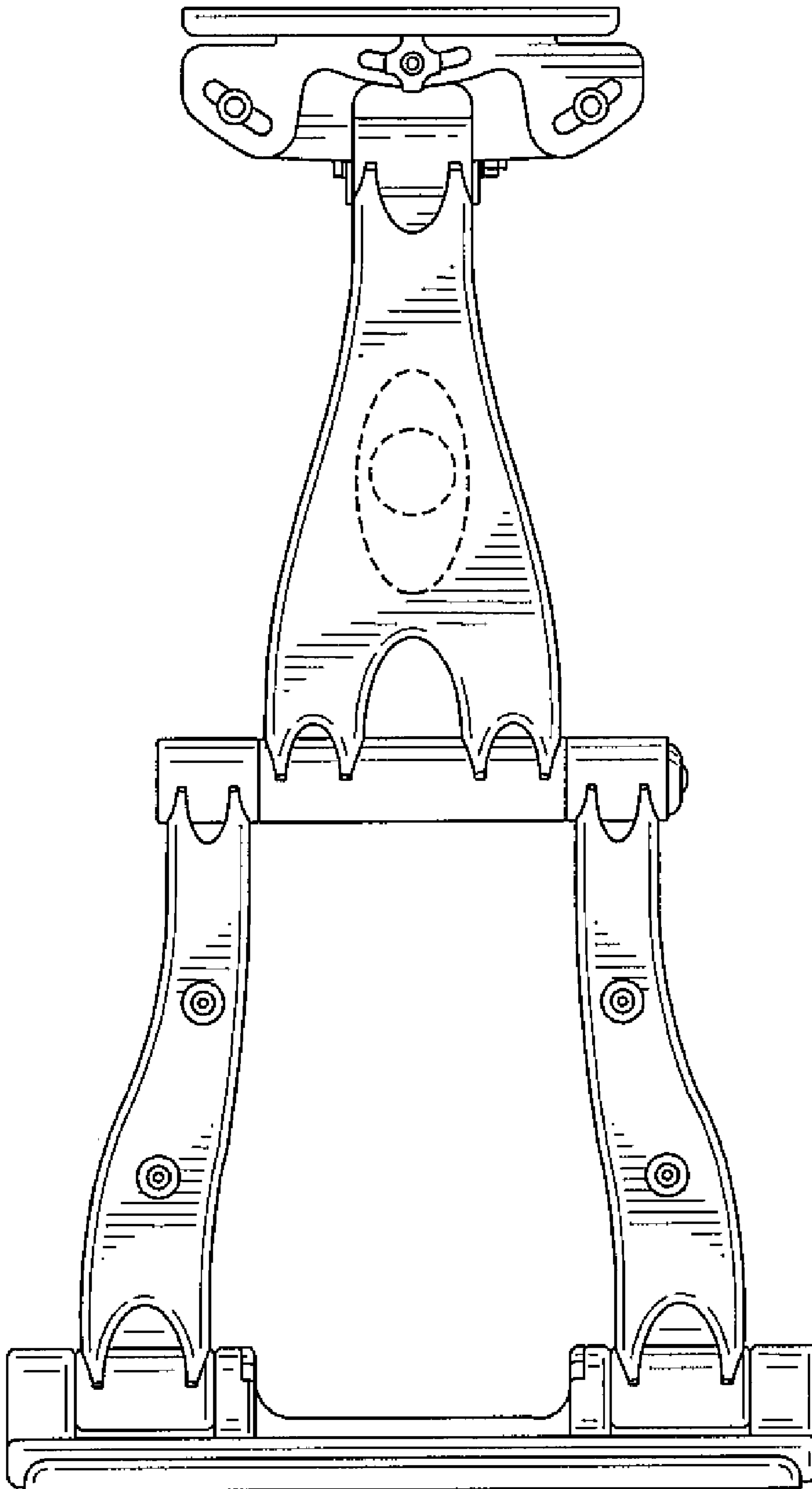


FIG. 4

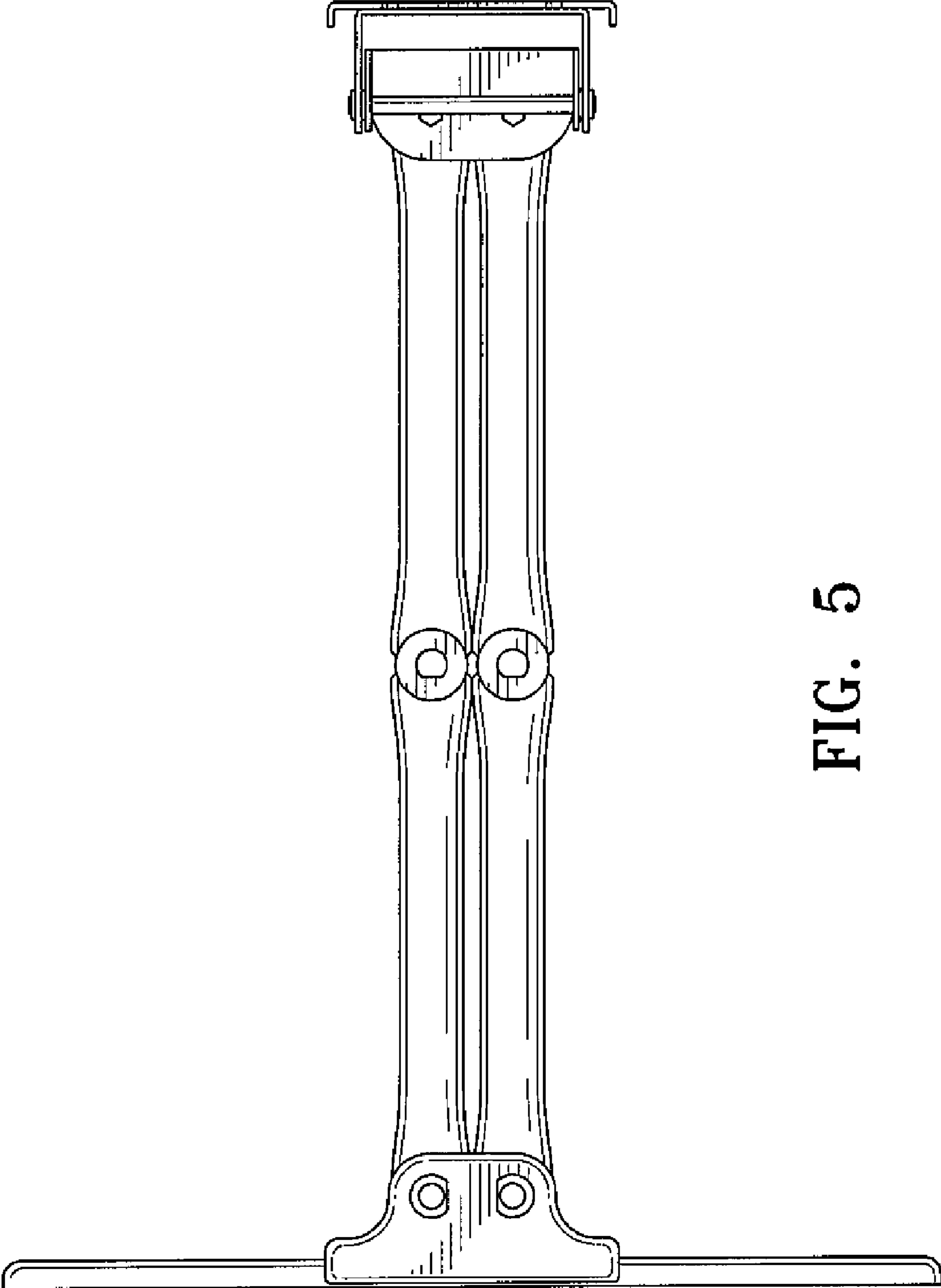


FIG. 5