



US00D587715S

(12) **United States Design Patent**
Davis et al.

(10) **Patent No.:** **US D587,715 S**
(45) **Date of Patent:** **** Mar. 3, 2009**

(54) **DUAL HINGE PORTABLE COMPUTER**

(75) Inventors: **Brittany Davis**, Houston, TX (US);
Kevin L. Massaro, Houston, TX (US);
William A. Gralewski, Houston, TX (US)

(73) Assignee: **Hewlett-Packard Development Company, L.P.**, Houston, TX (US)

(**) Term: **14 Years**

(21) Appl. No.: **29/279,361**

(22) Filed: **Apr. 27, 2007**

(51) **LOC (9) Cl.** **14-02**

(52) **U.S. Cl.** **D14/451; D14/432**

(58) **Field of Classification Search** D14/432,
D14/451, 375; 16/307, 367; 248/181.1,
248/278.1, 371, 372.1; 361/680-686

See application file for complete search history.

(56) **References Cited**

U.S. PATENT DOCUMENTS

5,205,017	A *	4/1993	Wang	16/367
6,378,830	B1 *	4/2002	Lu	248/278.1
6,609,272	B1 *	8/2003	Lee	16/307
6,766,994	B2 *	7/2004	Serbinski et al.	248/371
D514,115	S *	1/2006	Serbinski et al.	D14/451
7,061,753	B2 *	6/2006	Michoux et al.	361/681
D531,631	S *	11/2006	Andre et al.	D14/375
7,150,440	B2 *	12/2006	Yuan	248/372.1
7,177,144	B2 *	2/2007	Ha et al.	361/681

2001/0055197	A1	12/2001	Agata et al.	
2004/0057197	A1 *	3/2004	Hill et al.	361/683
2004/0083577	A1 *	5/2004	Lu et al.	16/367
2005/0128695	A1	6/2005	Han	

* cited by examiner

Primary Examiner—Freda S Nunn

(57) **CLAIM**

The ornamental design for dual hinge portable computer, as shown and described.

DESCRIPTION

FIG. 1 is a back perspective view of a dual hinge portable computer in a closed position;

FIG. 2 is a back perspective view of the dual hinge portable computer in a partially open position;

FIG. 3 is a back perspective view of the dual hinge portable computer in an open position;

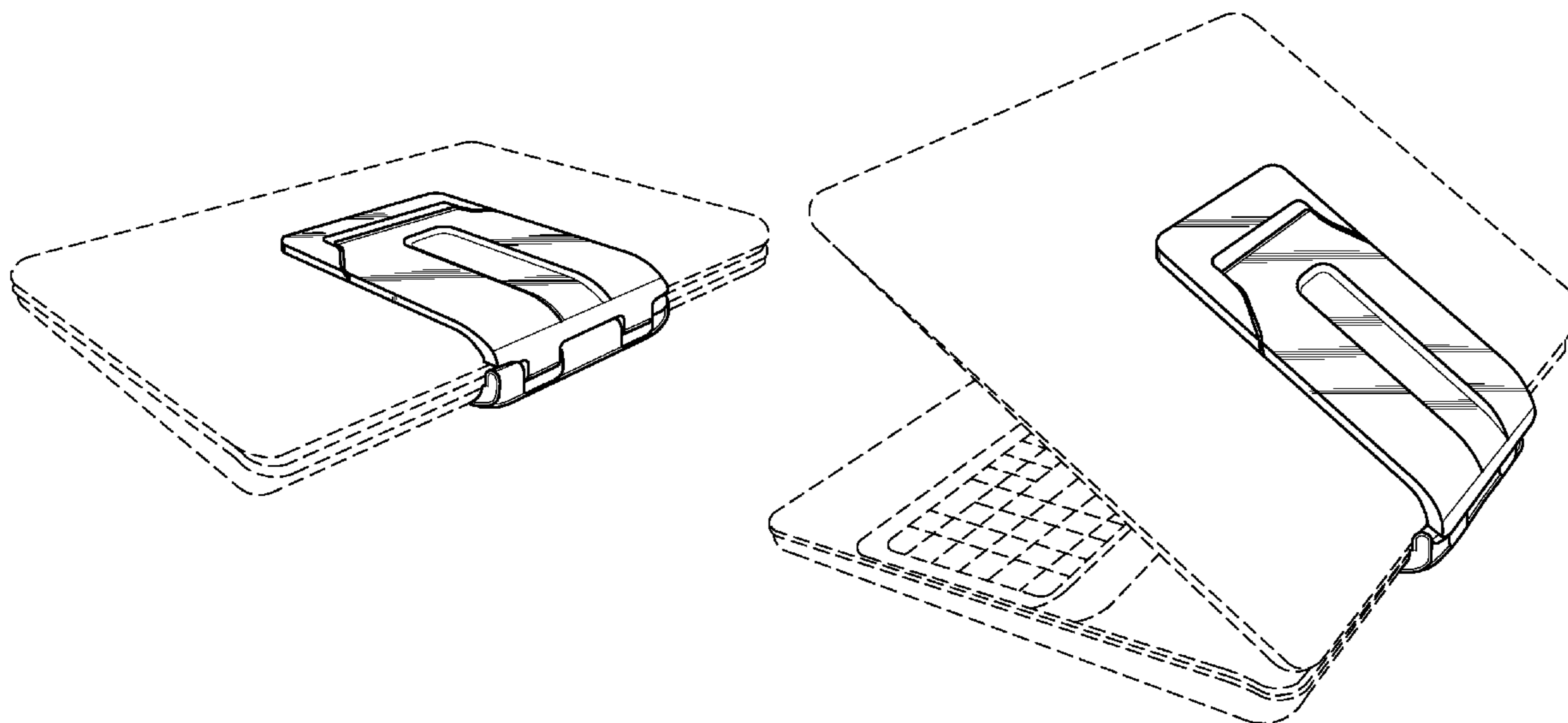
FIG. 4 is a left side elevational view of the dual hinge portable computer in an open position; and,

FIG. 5 is a back elevational view of the dual hinge portable computer in an open position; and,

FIG. 6 is a bottom elevational view of the dual hinge portable computer.

The components depicted in broken lines shown in the drawings illustrate portions of the dual hinge portable computer, and form no part of the claimed design. A right side elevational view is omitted as duplicative of the views presented.

1 Claim, 3 Drawing Sheets



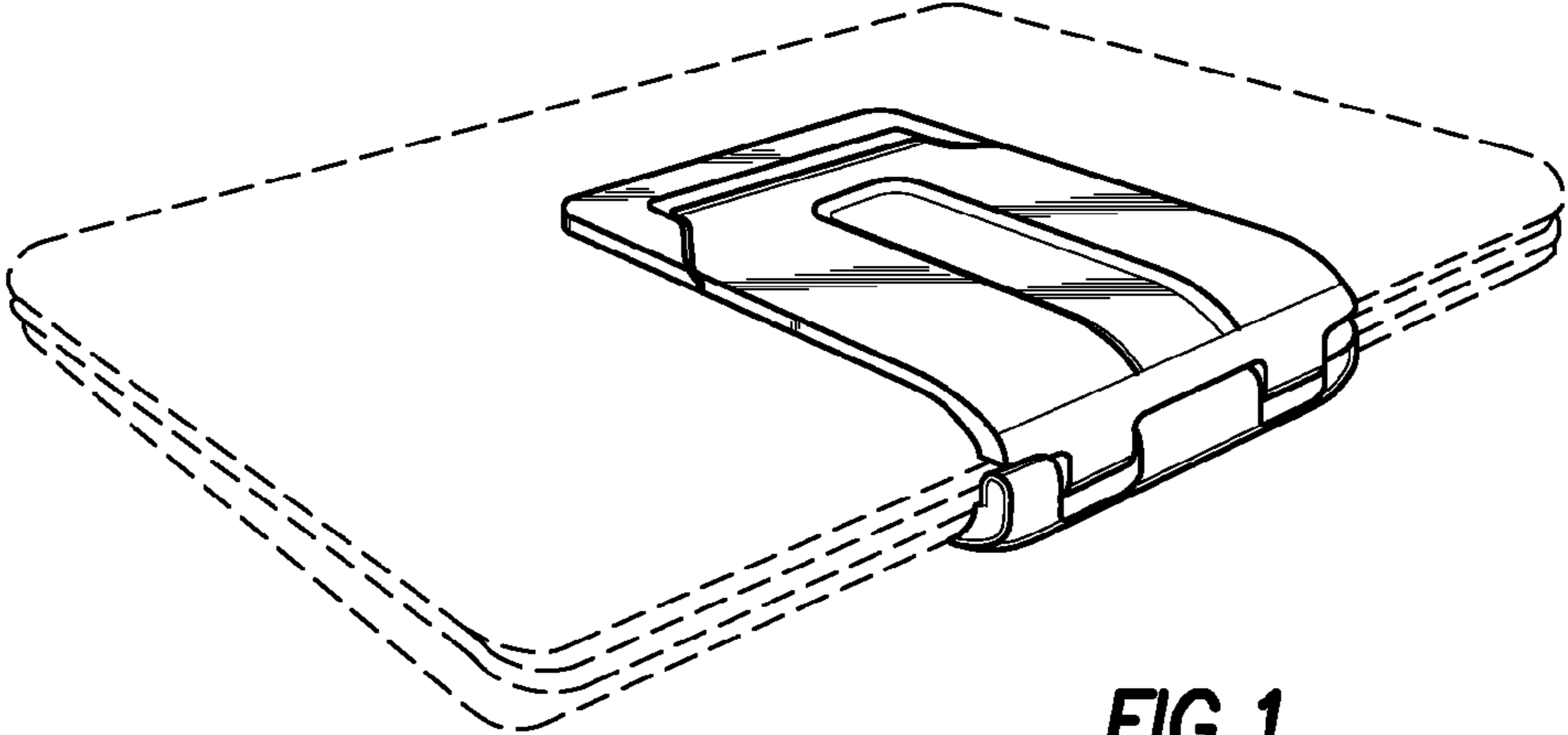


FIG. 1

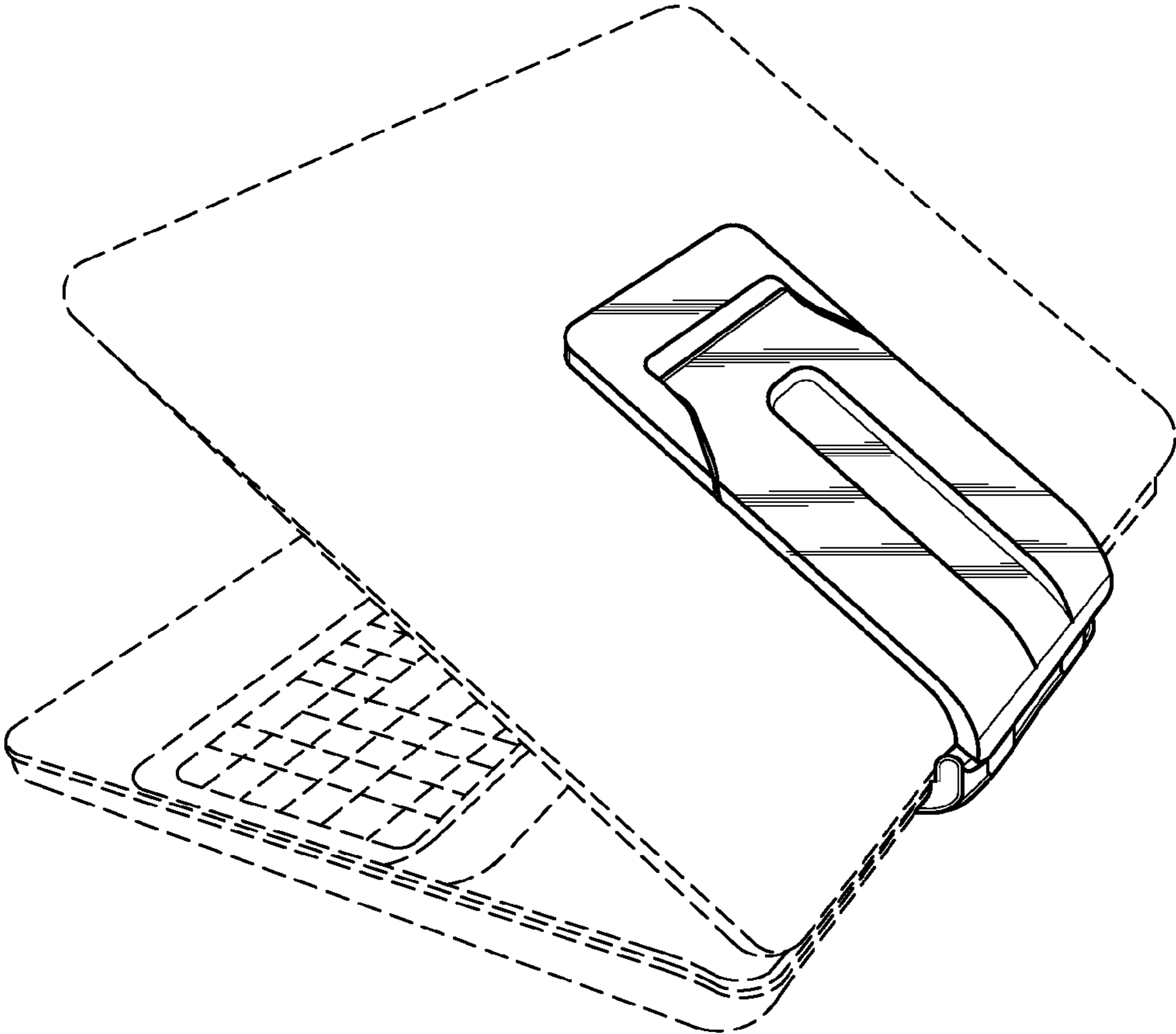


FIG. 2

FIG.3

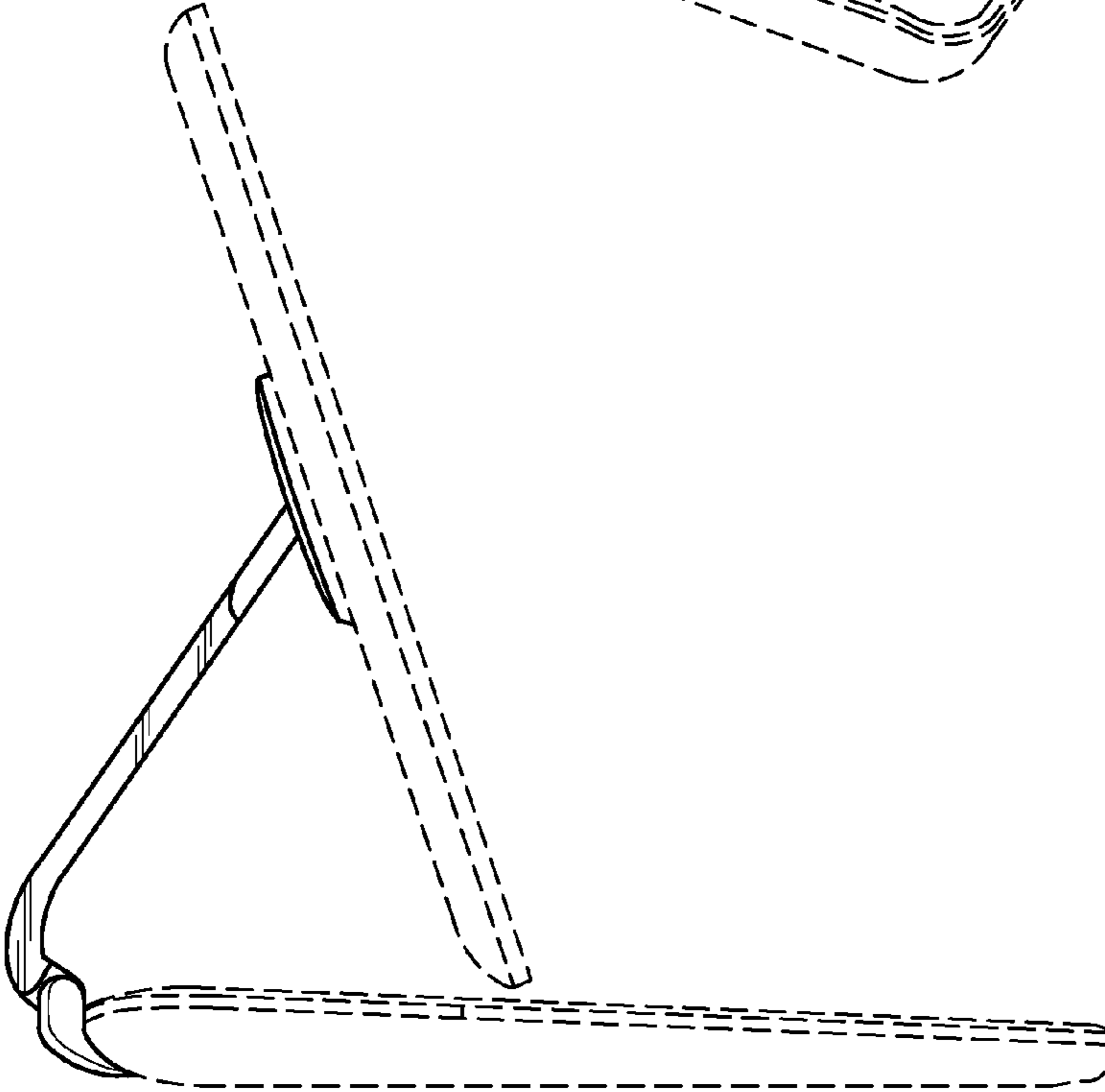
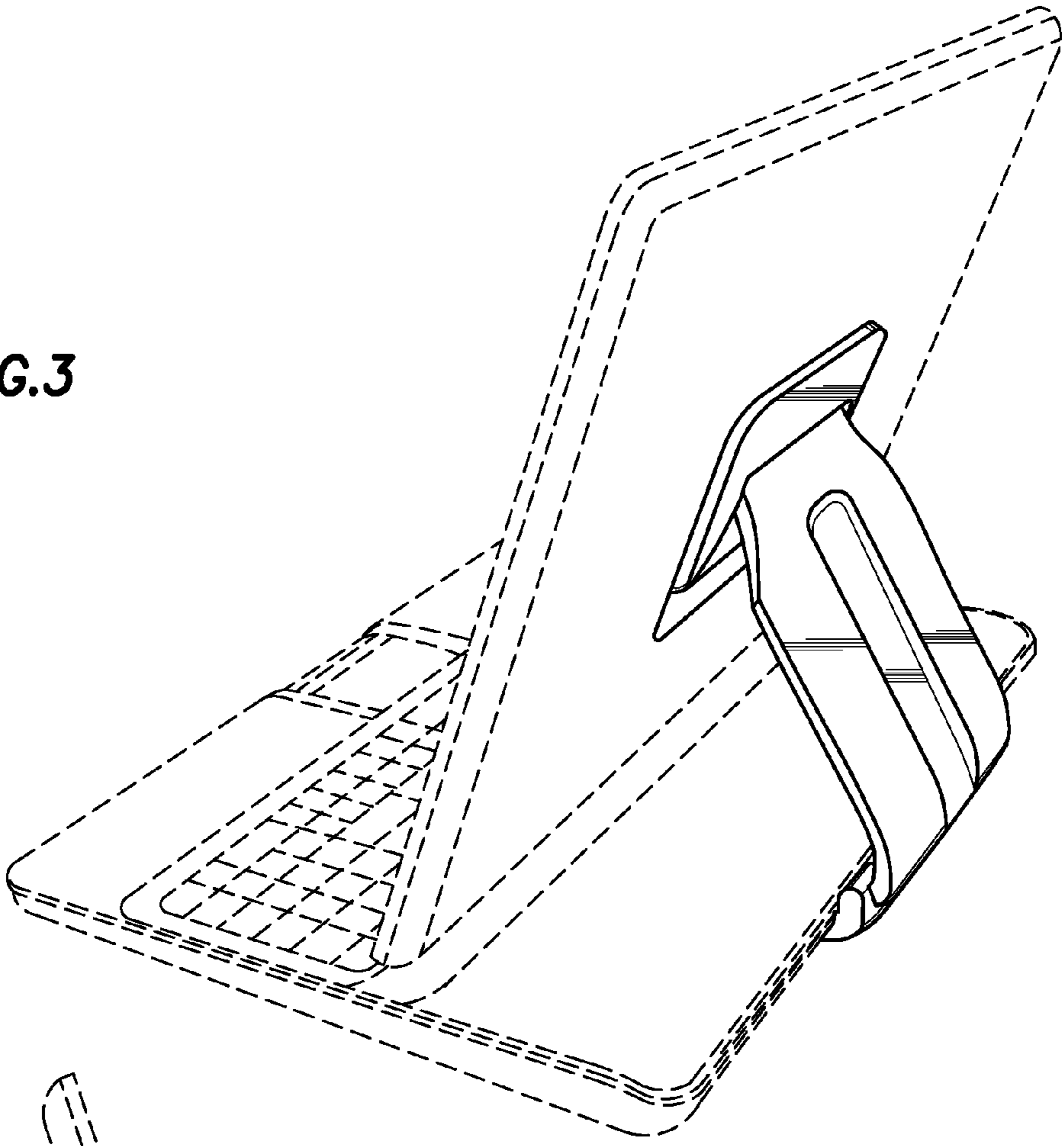


FIG.4

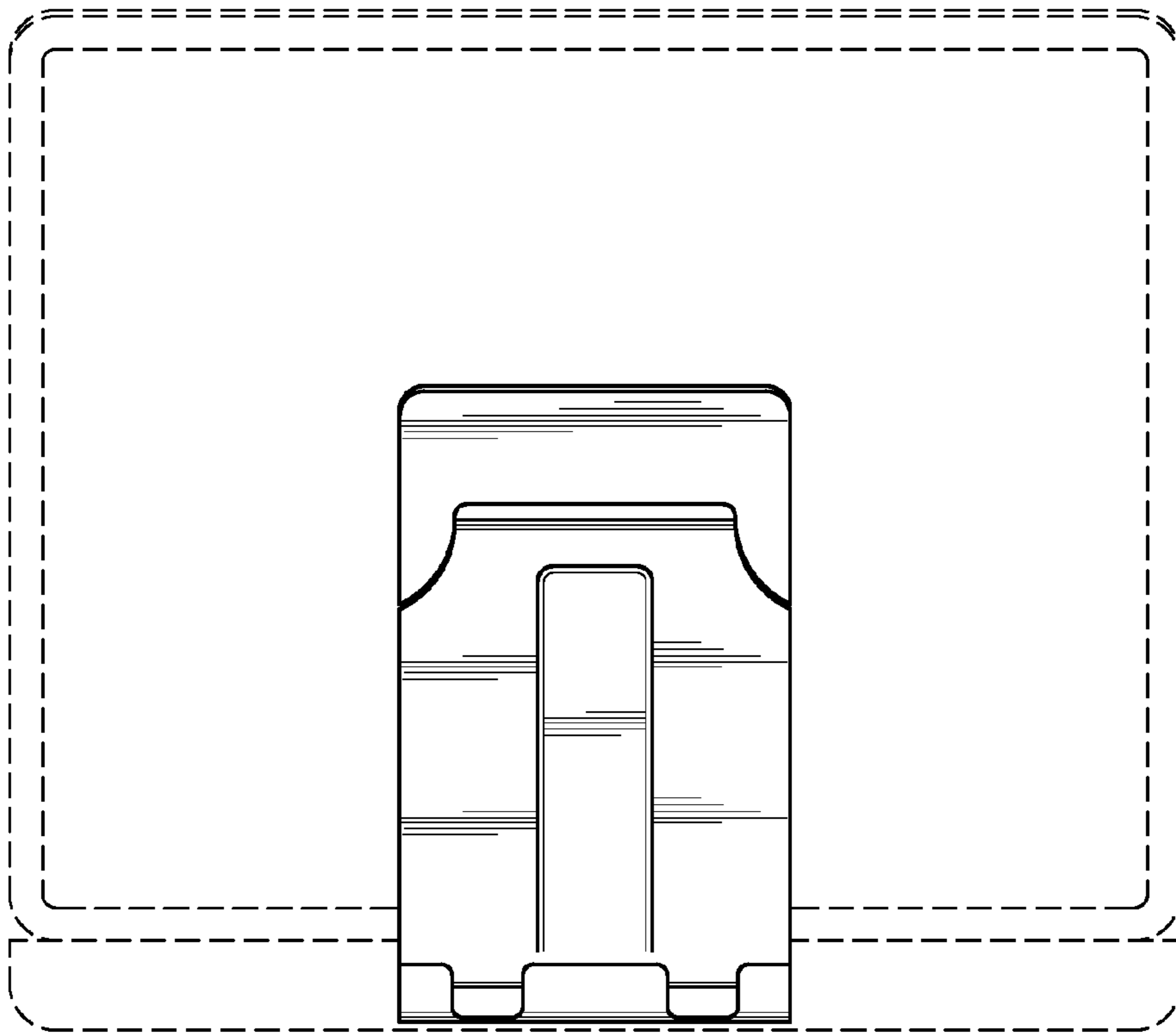


FIG. 5

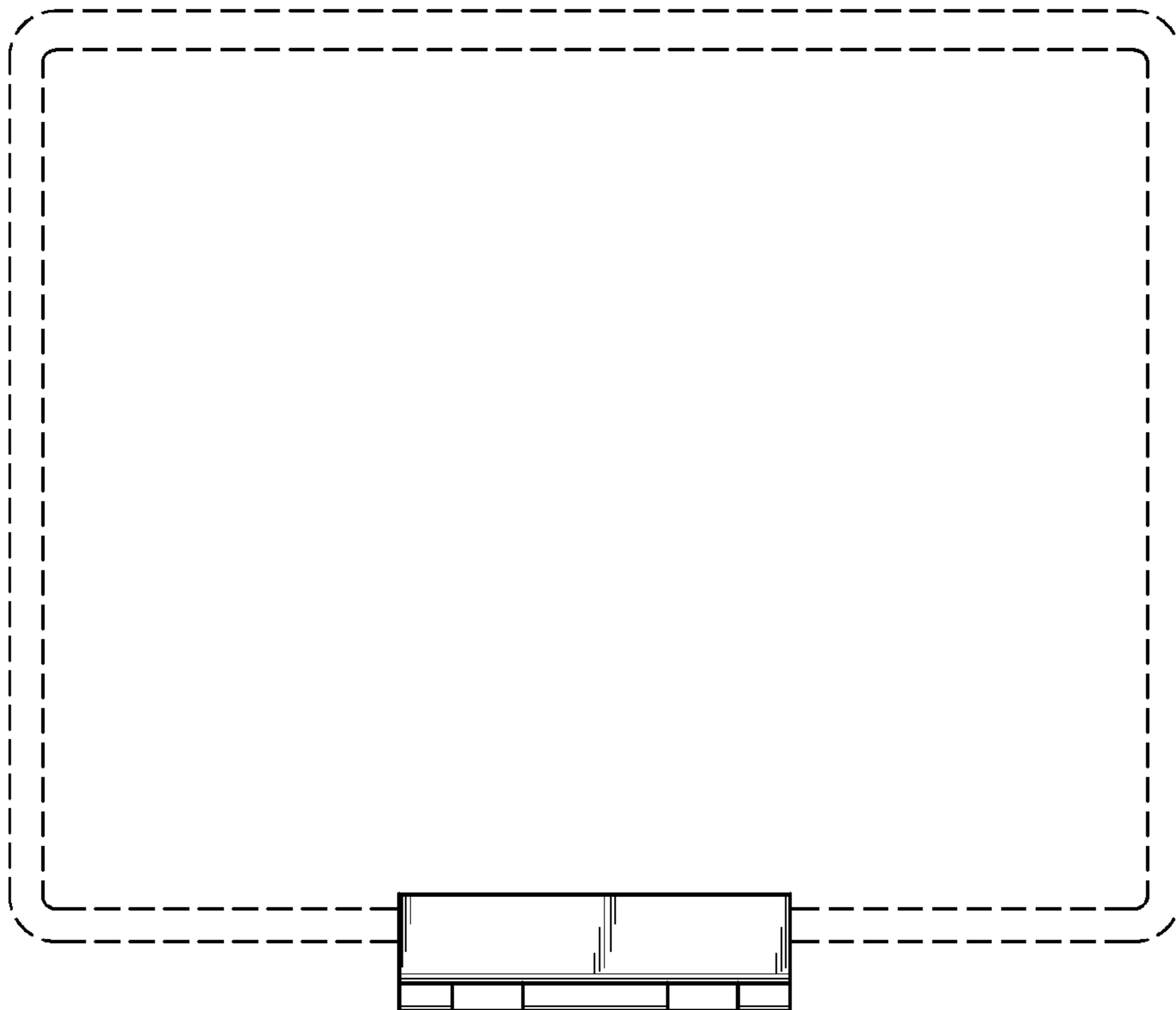


FIG. 6