



US00D587711S

(12) **United States Design Patent**
Han

(10) **Patent No.:** **US D587,711 S**
(45) **Date of Patent:** **** Mar. 3, 2009**

(54) **DUAL DISPLAY MONITOR**

(75) Inventor: **Tai-Sheng (Andrew) Han**, Fullerton, CA (US)

(73) Assignee: **EVGA Corporation**, Brea, CA (US)

(**) Term: **14 Years**

(21) Appl. No.: **29/299,539**

(22) Filed: **Dec. 28, 2007**

(51) **LOC (9) Cl.** **14-02**

(52) **U.S. Cl.** **D14/373**

(58) **Field of Classification Search** D14/371-376,
D14/125-129, 317; 248/917-924, 278.1,
248/122.1, 124.1; 349/12, 1, 2, 11, 62; 345/104,
345/156, 168, 173, 901-905; 348/180, 184,
348/325, 739; 361/681; 715/761

See application file for complete search history.

(56) **References Cited**

U.S. PATENT DOCUMENTS

D397,998	S *	9/1998	Ambroe	D14/373
5,904,328	A *	5/1999	Leveridge et al.	248/124.1
RE36,978	E *	12/2000	Moscovitch	248/122.1
6,343,006	B1 *	1/2002	Moscovitch et al.	361/681
6,554,238	B1 *	4/2003	Hibberd	248/278.1
6,667,877	B2 *	12/2003	Duquette	361/681
D496,363	S *	9/2004	Ozolins et al.	D14/375
D496,662	S *	9/2004	Borsboom	D14/371
D507,270	S *	7/2005	Ozolins et al.	D14/375
7,237,202	B2 *	6/2007	Gage	715/761

2003/0090473 A1 * 5/2003 Joshi 345/173
2004/0212602 A1 * 10/2004 Nako et al. 345/173

* cited by examiner

Primary Examiner—Freda S Nunn

(74) *Attorney, Agent, or Firm*—IPxLAW Group LLP; Claude A. S. Hamrick

(57) **CLAIM**

The ornamental design for dual display monitor, as shown and described.

DESCRIPTION

FIG. 1 is a perspective view of a dual display monitor showing my new design;

FIG. 2 is a top view thereof;

FIG. 3 is a front view thereof;

FIG. 4 is a right view thereof;

FIG. 5 is a left view thereof;

FIG. 6 is a back view thereof;

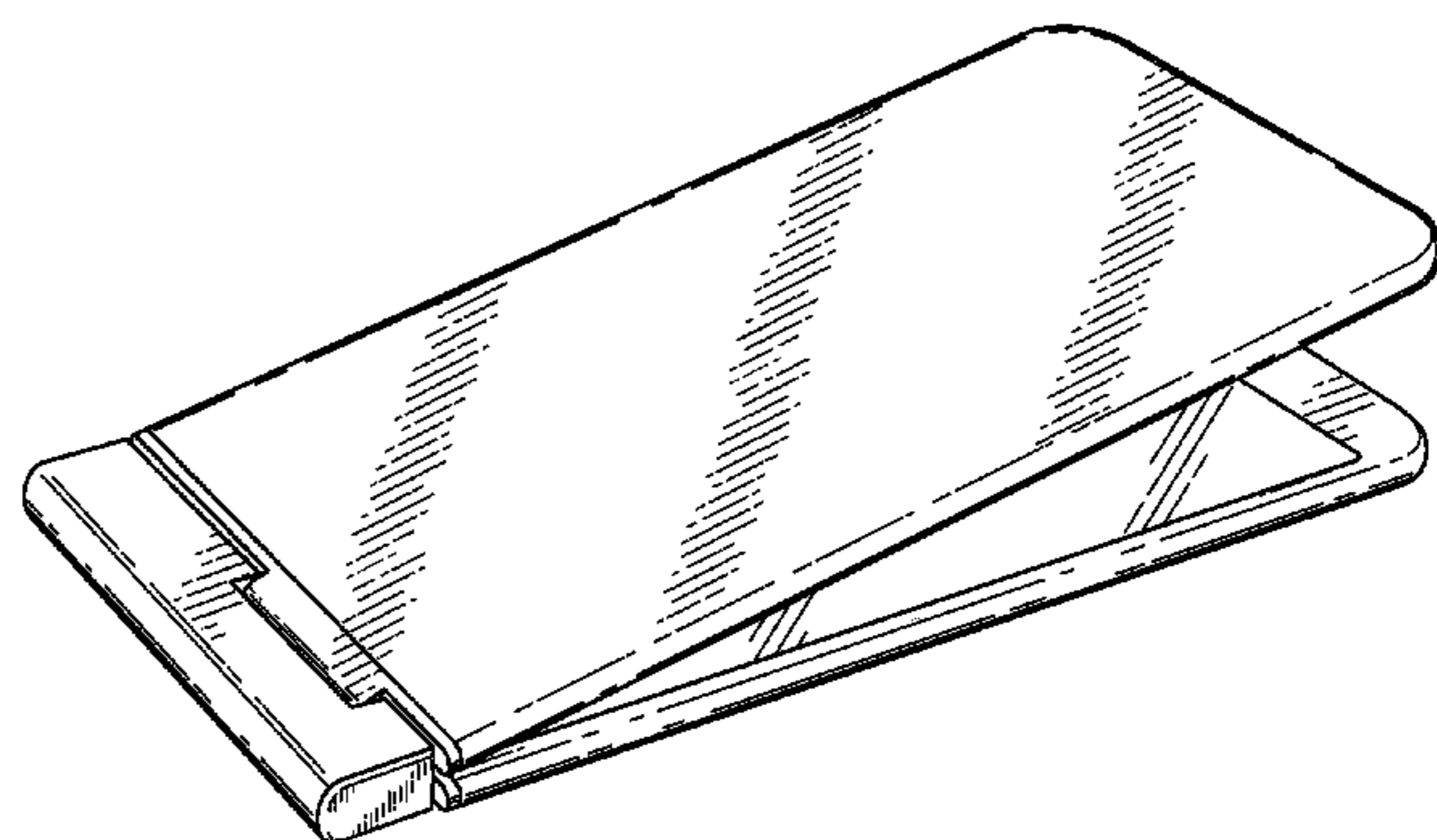
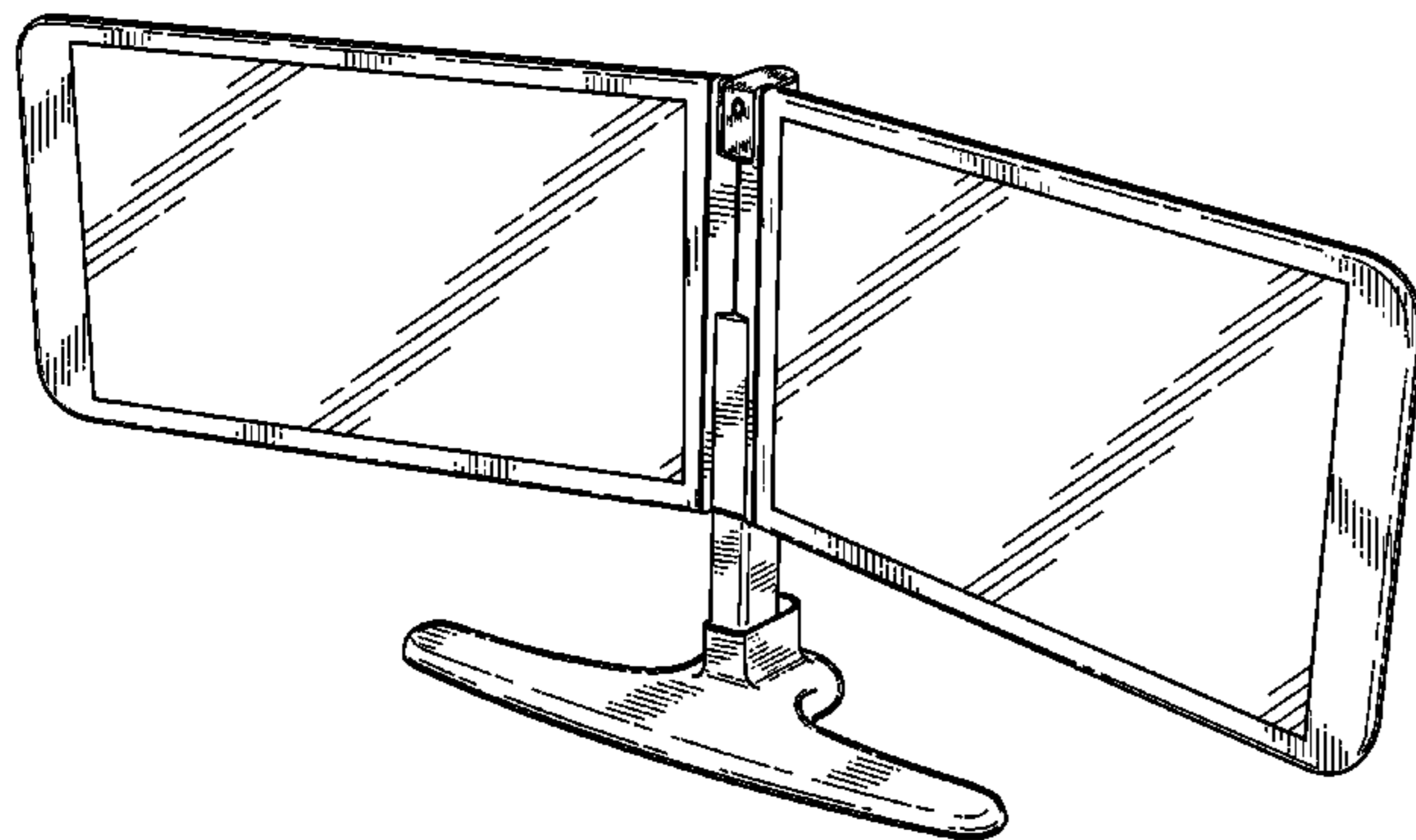
FIG. 7 is a perspective view thereof with the screens slightly unfolded and the port taken out for the purpose of illustration;

FIG. 8 is a top view thereof with the screens slightly folded;

FIG. 9 is a right view thereof with the screens folded to face each other; and,

FIG. 10 is a left view thereof with the screens folded to face each other.

1 Claim, 8 Drawing Sheets



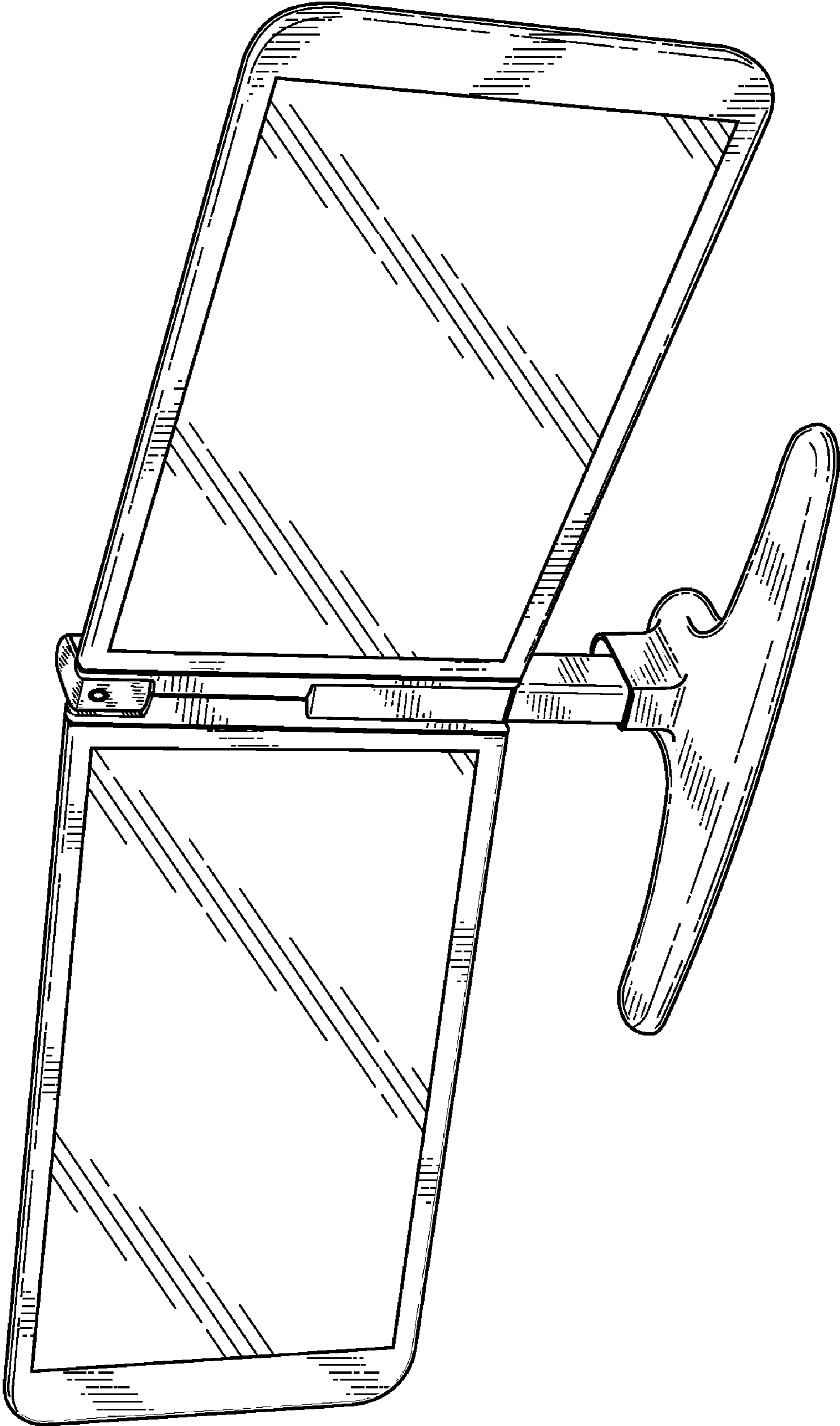


FIG. 1

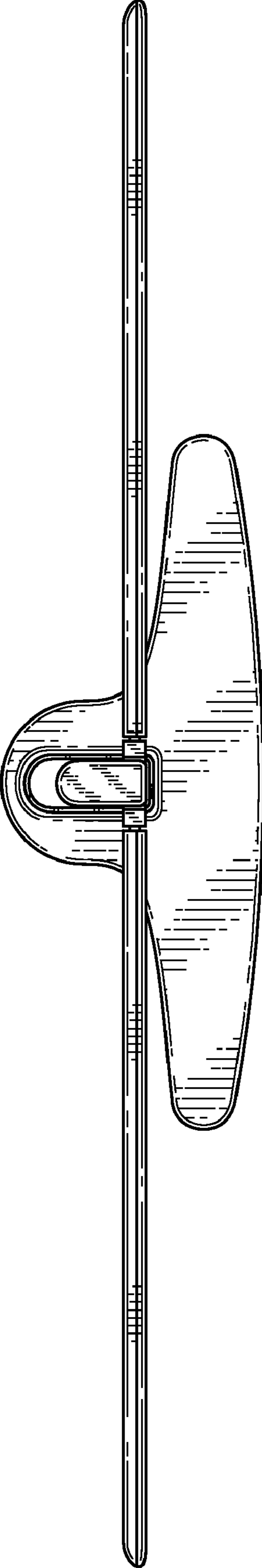


FIG. 2

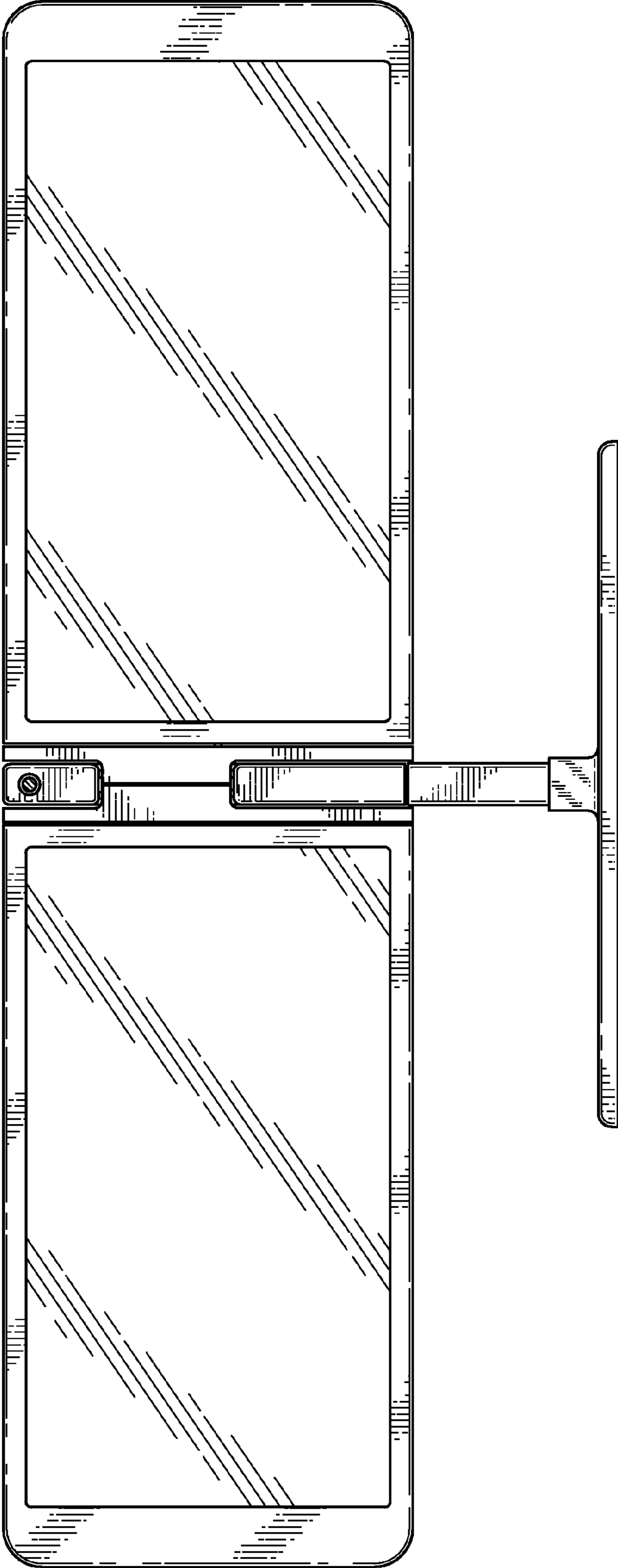


FIG. 3

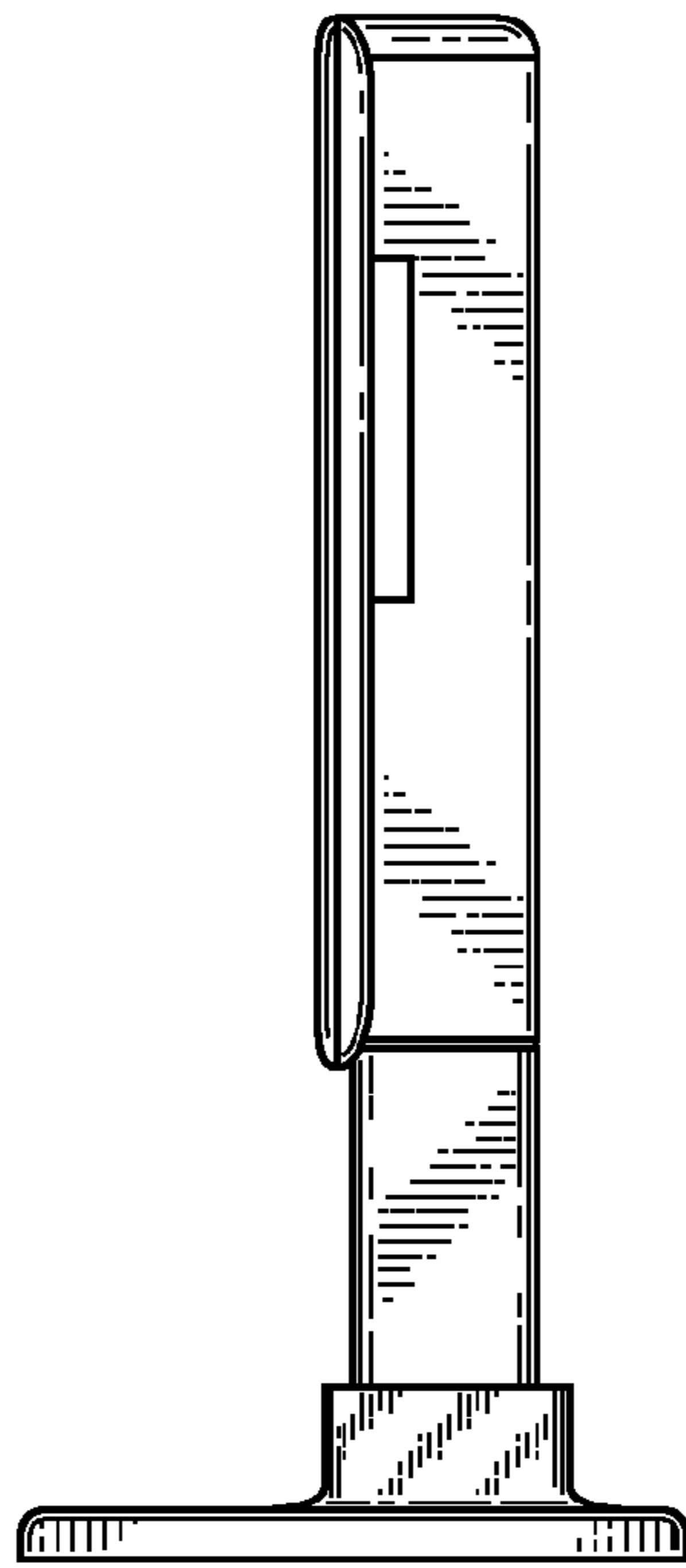


FIG. 4

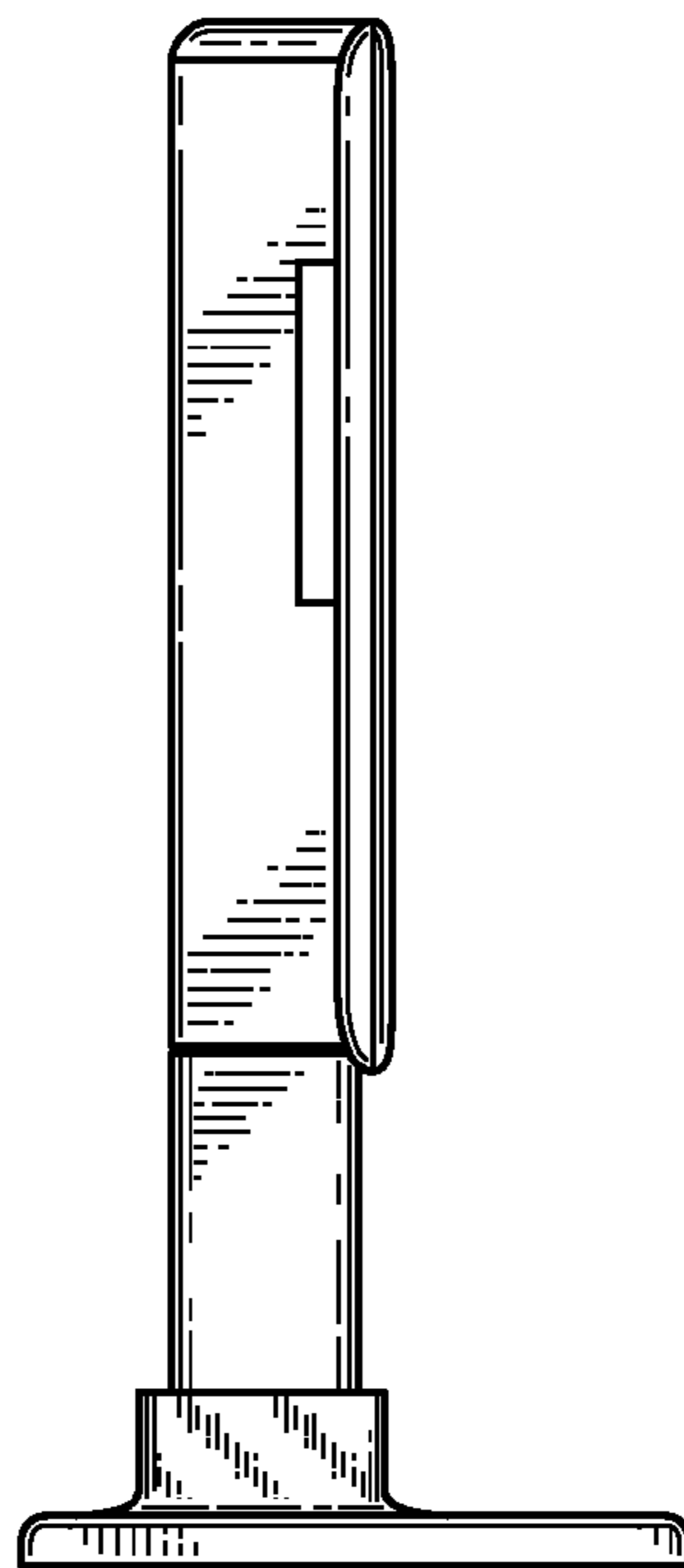


FIG. 5

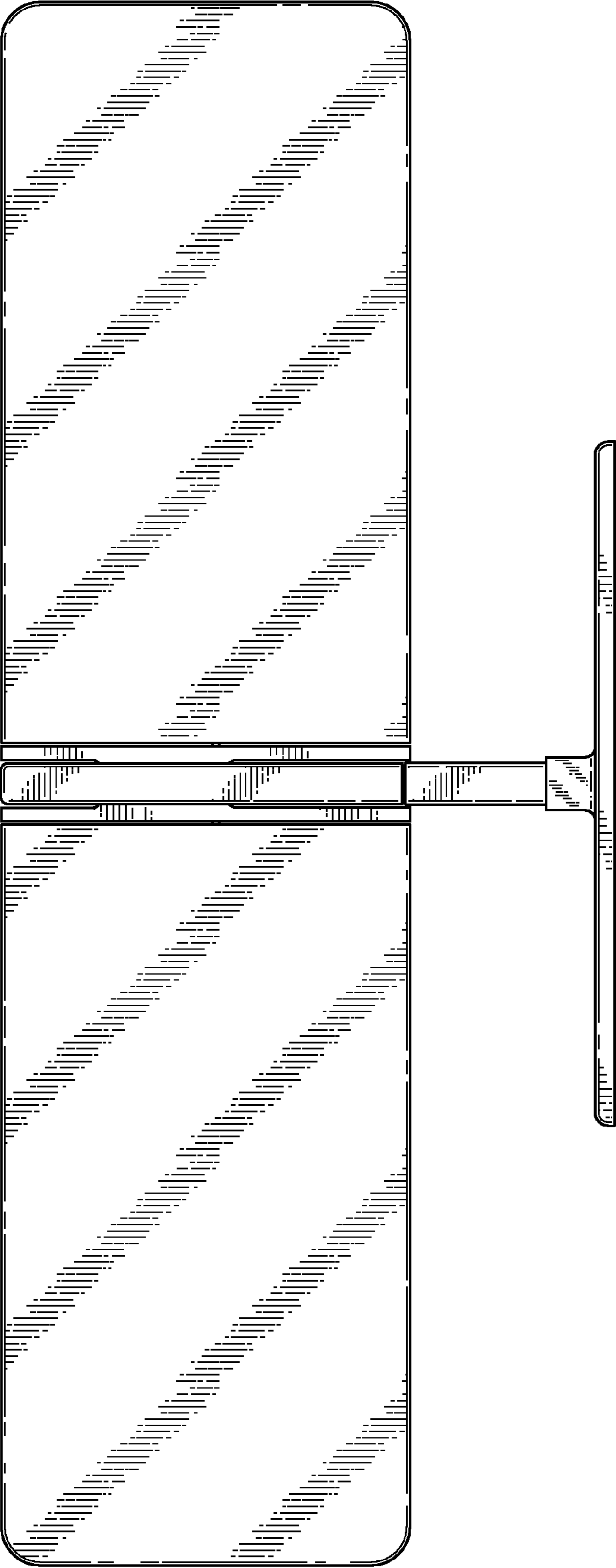


FIG. 6

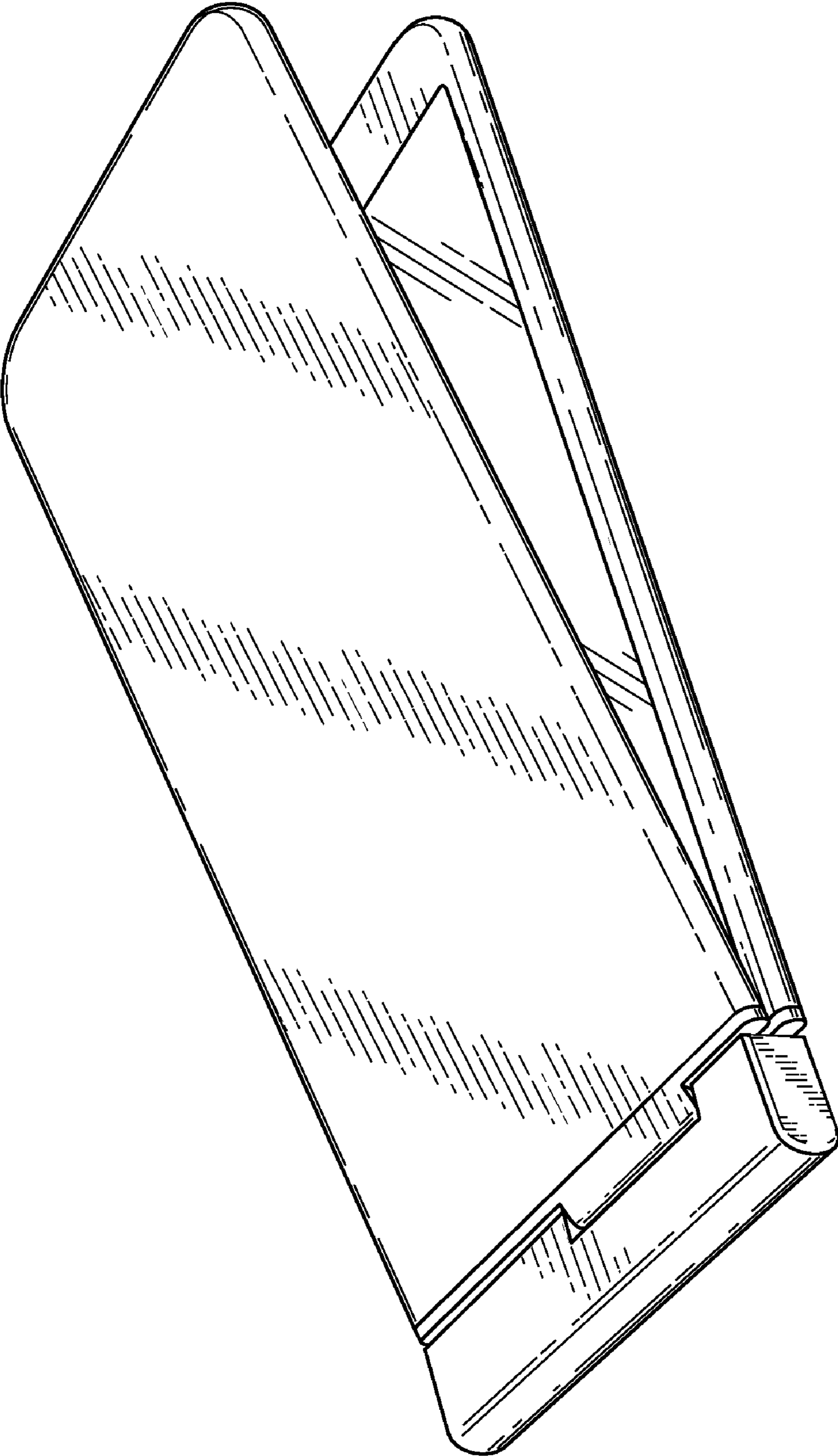


FIG. 7

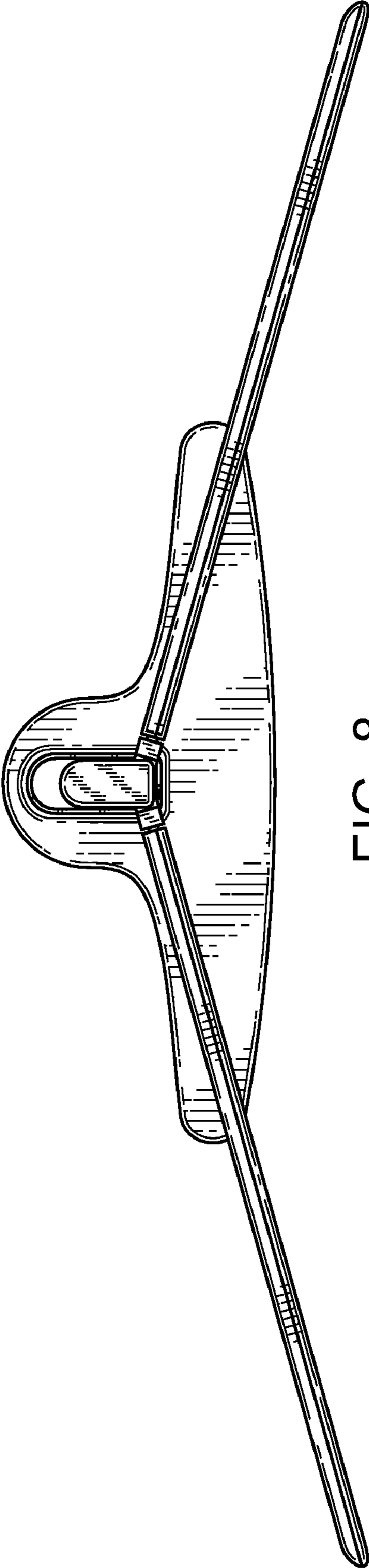


FIG. 8

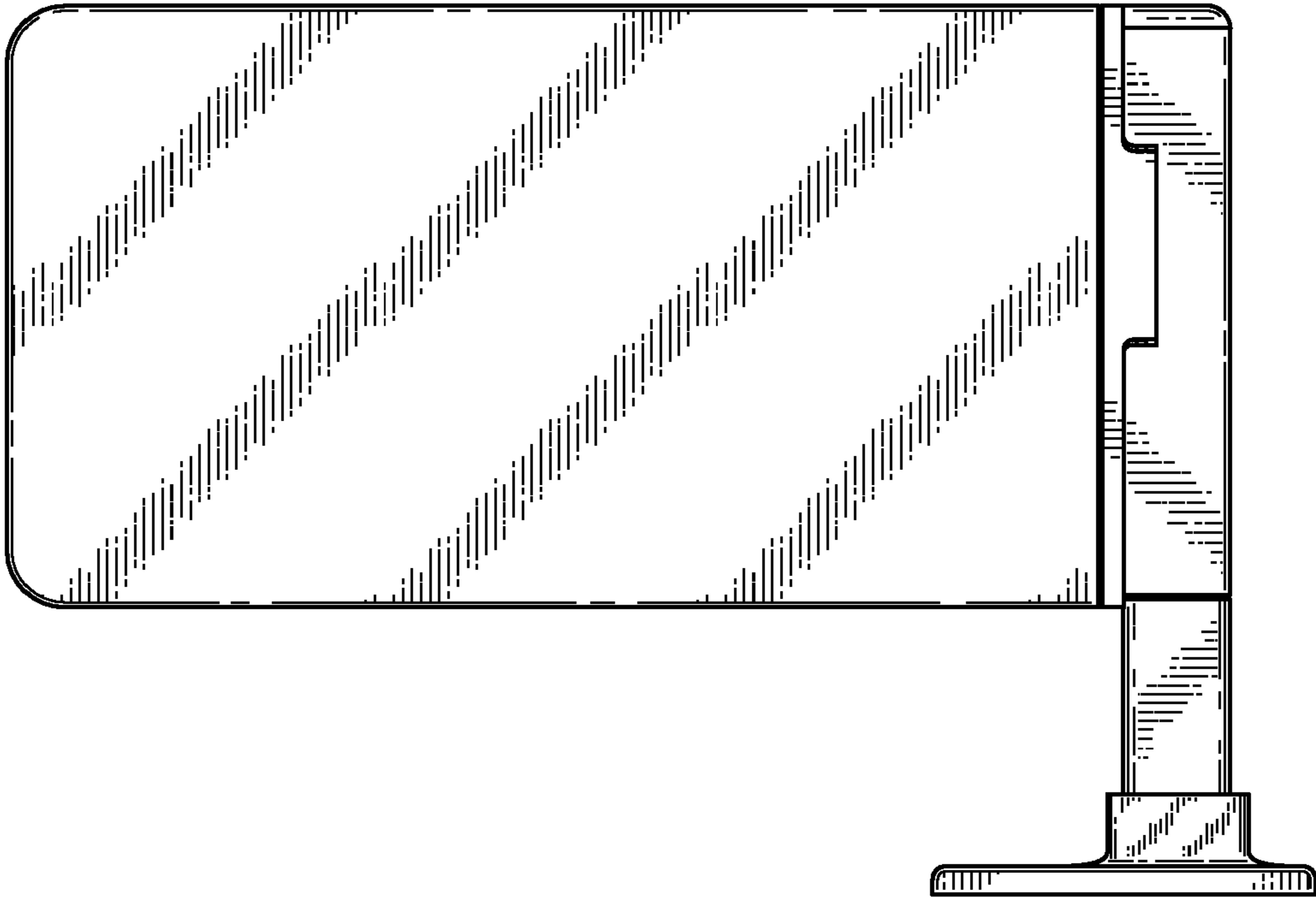


FIG. 9

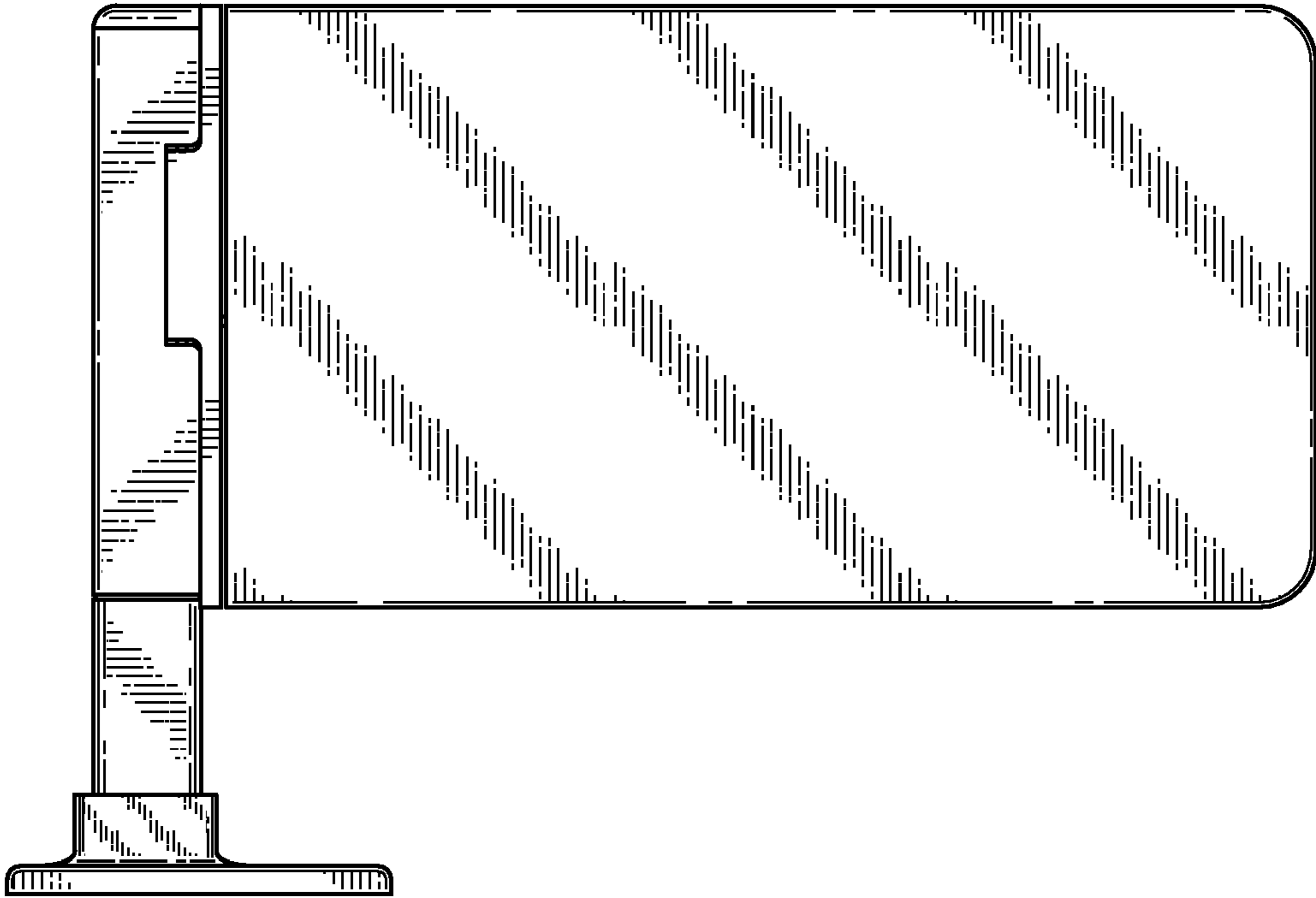


FIG. 10