



US00D587707S

(12) **United States Design Patent**
Maiers et al.

(10) **Patent No.:** **US D587,707 S**
(45) **Date of Patent:** **** *Mar. 3, 2009**

(54) **PORTABLE HARD DRIVE HOUSING**

(75) Inventors: **Michael A. Maiers**, Campbell, CA (US);
Jeffrey Schmid, Lafayette, CO (US);
Howard Nuk, San Jose, CA (US)

(73) Assignee: **Seagate Technology**, Scotts Valley, CA (US)

(*) Notice: This patent is subject to a terminal disclaimer.

(**) Term: **14 Years**

(21) Appl. No.: **29/281,892**

(22) Filed: **Jul. 5, 2007**

Related U.S. Application Data

(63) Continuation-in-part of application No. 29/275,805, filed on Jan. 7, 2007.

(51) **LOC (9) Cl.** **14-02**

(52) **U.S. Cl.** **D14/356**

(58) **Field of Classification Search** D14/351-370,
D14/301, 313, 348-349, 432, 435-436, 496,
D14/137, 155, 167-168, 240, 242, 299; D13/149,
D13/184; D3/201, 273; 711/100, 115; 361/685;
369/272.1; 360/132-133, 135
See application file for complete search history.

(56) **References Cited**

U.S. PATENT DOCUMENTS

D190,202 S *	4/1961	Hirsch	D14/168
D229,186 S *	11/1973	Brown et al.	D10/75
D260,886 S *	9/1981	Taylor	D14/314
D276,998 S *	1/1985	Caven	D13/184
D285,554 S *	9/1986	Beaumont et al.	D14/240
D322,963 S *	1/1992	Kittirutsunetorn	D14/242
D323,820 S *	2/1992	Gauldfeldt et al.	D14/368
D341,567 S *	11/1993	Acker et al.	D13/110
D346,172 S *	4/1994	Fields et al.	D14/299
D355,172 S *	2/1995	Hadaegh	D14/242
D359,287 S *	6/1995	Heberling et al.	D14/242
D365,340 S *	12/1995	Hill et al.	D14/356
D372,474 S *	8/1996	Ford et al.	D14/149
D406,145 S *	2/1999	Radakovic	D14/242
D431,230 S *	9/2000	Began	D13/184

D479,238 S *	9/2003	Brown	D14/388
D488,798 S *	4/2004	Ishii et al.	14/168
D489,070 S *	4/2004	Chatterjee	D14/433
D490,403 S *	5/2004	Wu et al.	D14/240
D492,946 S *	7/2004	Loiske et al.	D14/240
D515,067 S *	2/2006	Yoshitake et al.	D14/168
D529,904 S *	10/2006	Yeo	D14/240
D535,651 S *	1/2007	Wong et al.	D14/240
D550,217 S *	9/2007	Schneider	D14/230
D551,250 S *	9/2007	Andre et al.	D14/496
D554,606 S *	11/2007	Kimura	D14/136

OTHER PUBLICATIONS

Seagate Technology—Portable Storage Solutions [online], [retrieved on Jun. 23, 2008]. Retrieved from the Internet <URL: <http://www.seagate.com/www/en-us/products/portable/>>.*

Seagate Technology—FreeAgent™ Desktop [online], [retrieved on Jun. 23, 2008]. Retrieved from the Internet <URL: http://www.seagate.com/www/en-us/products/external/freeagent_desktop_data_movers/>.*

* cited by examiner

Primary Examiner—Robin V Webster

Assistant Examiner—Karen E Kearney

(74) *Attorney, Agent, or Firm*—Banner & Witcoff, Ltd.

(57) **CLAIM**

The ornamental design for a portable hard drive housing, as shown and described.

DESCRIPTION

FIG. 1 is a perspective view of a portable hard drive housing showing our new design;

FIG. 2 is a front elevational view thereof;

FIG. 3 is a rear elevational view thereof;

FIG. 4 is a left side elevational view thereof;

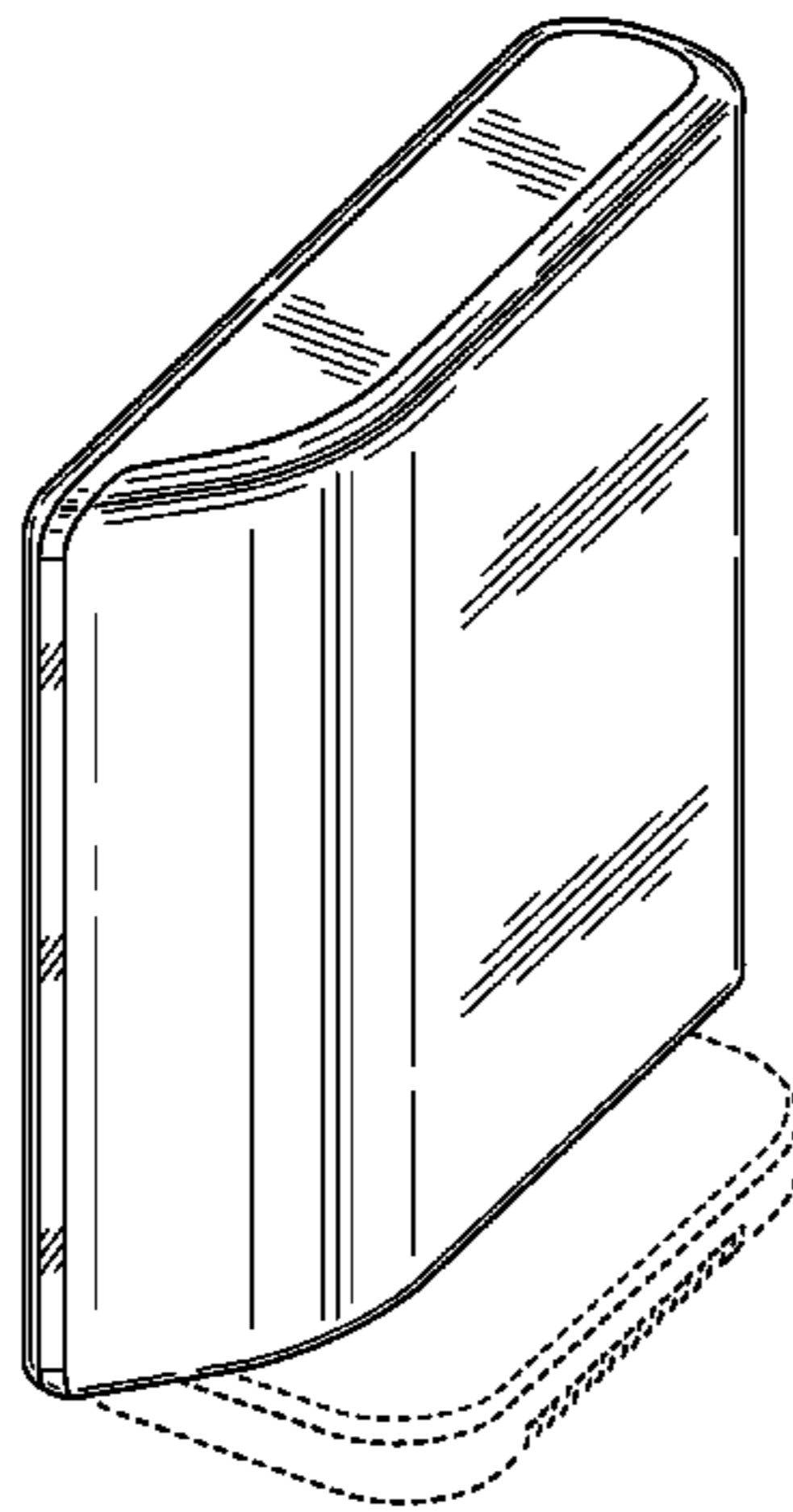
FIG. 5 is a right side elevational view thereof;

FIG. 6 is a top plan view thereof; and,

FIG. 7 is a bottom plan view thereof

The broken line showing of the stand is for illustrative purposes only and forms no part of the claimed design.

1 Claim, 5 Drawing Sheets .



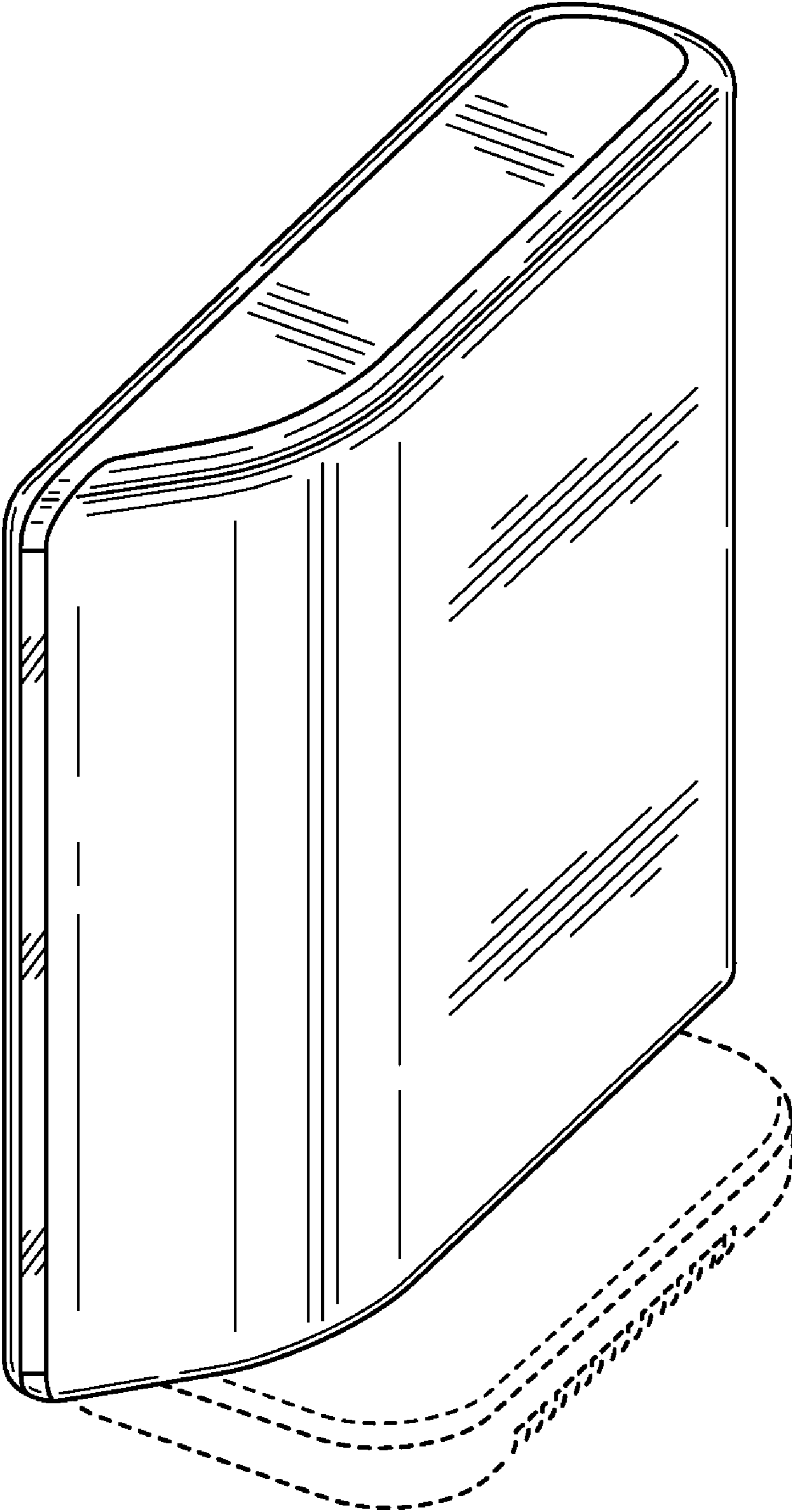


FIG. 1

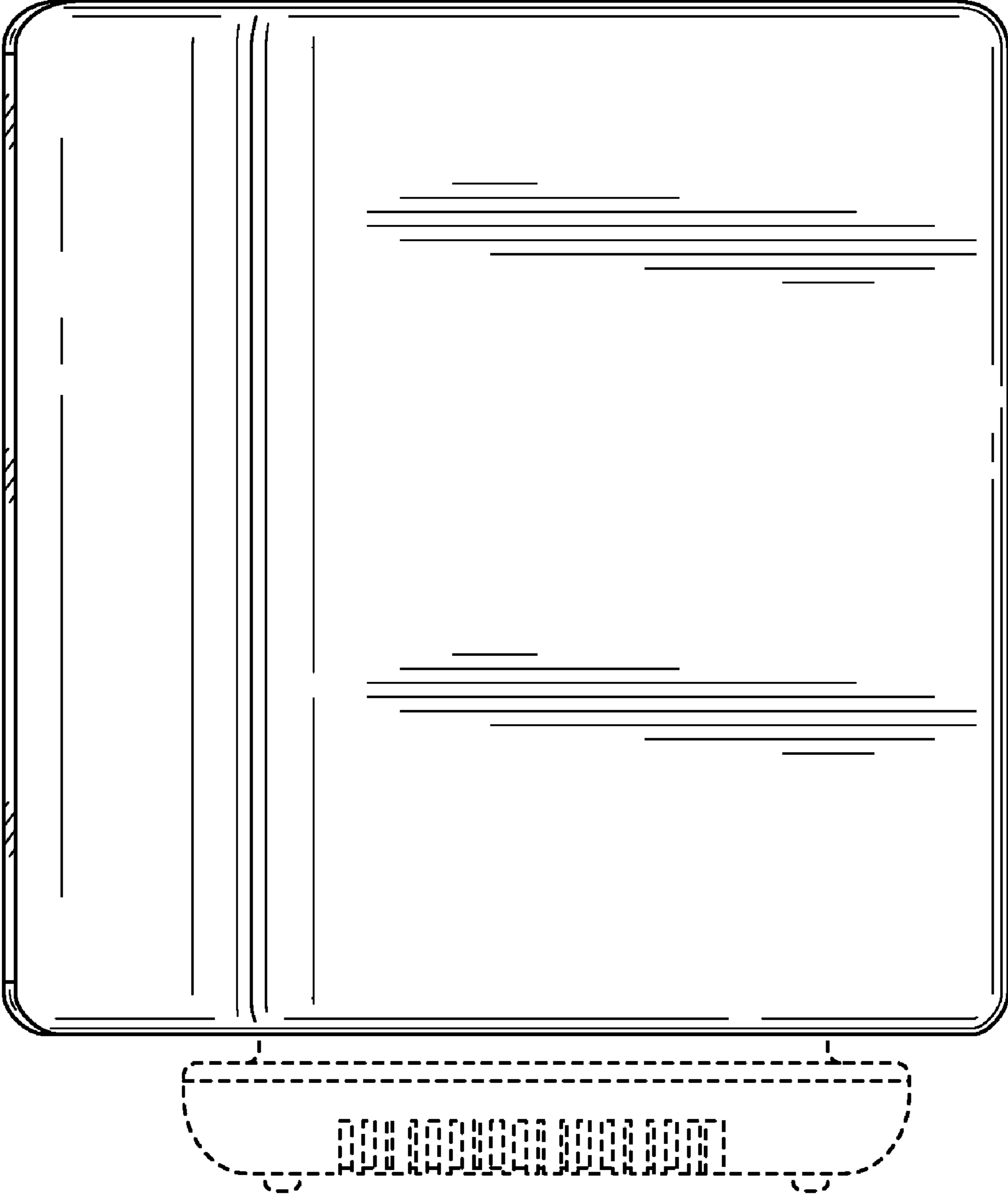


FIG. 2

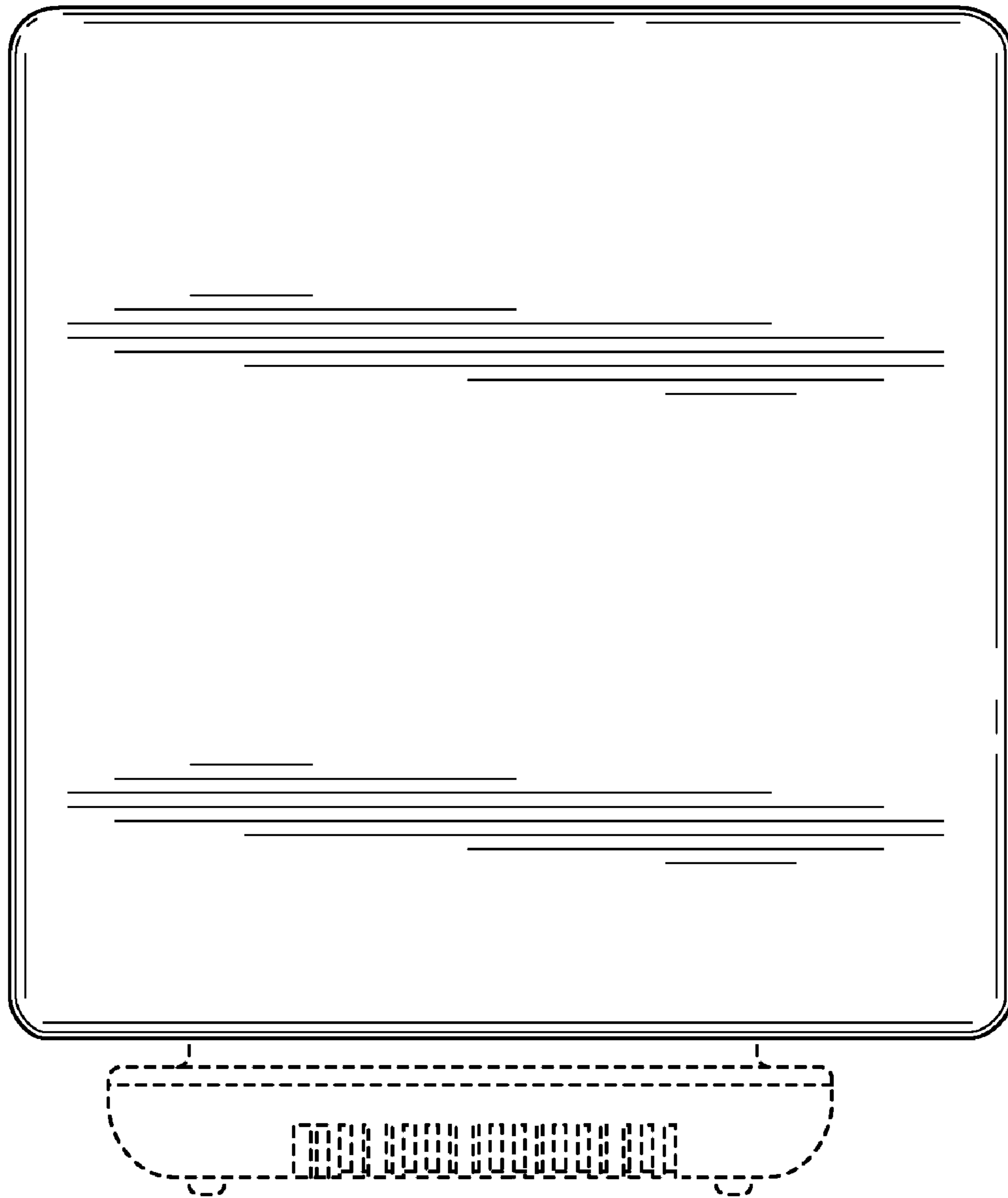


FIG. 3

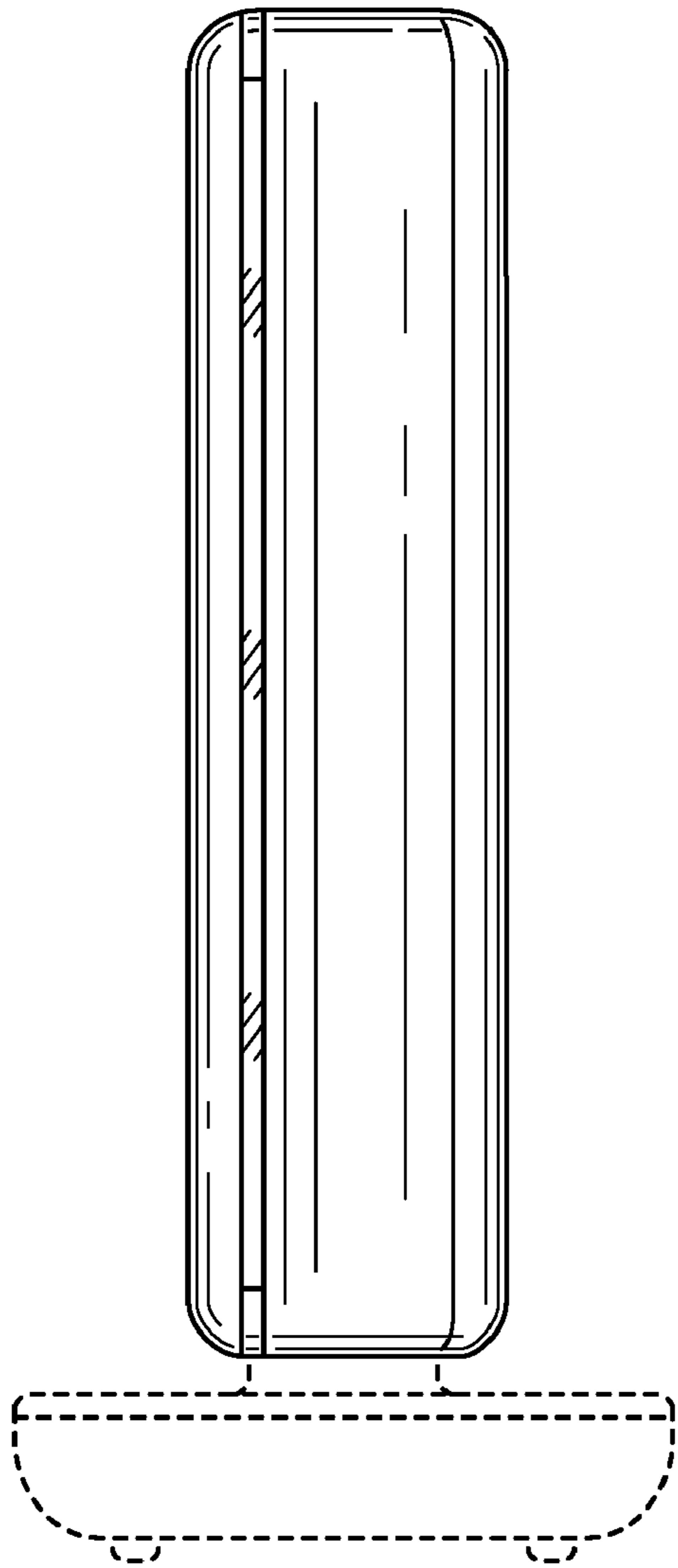


FIG. 4

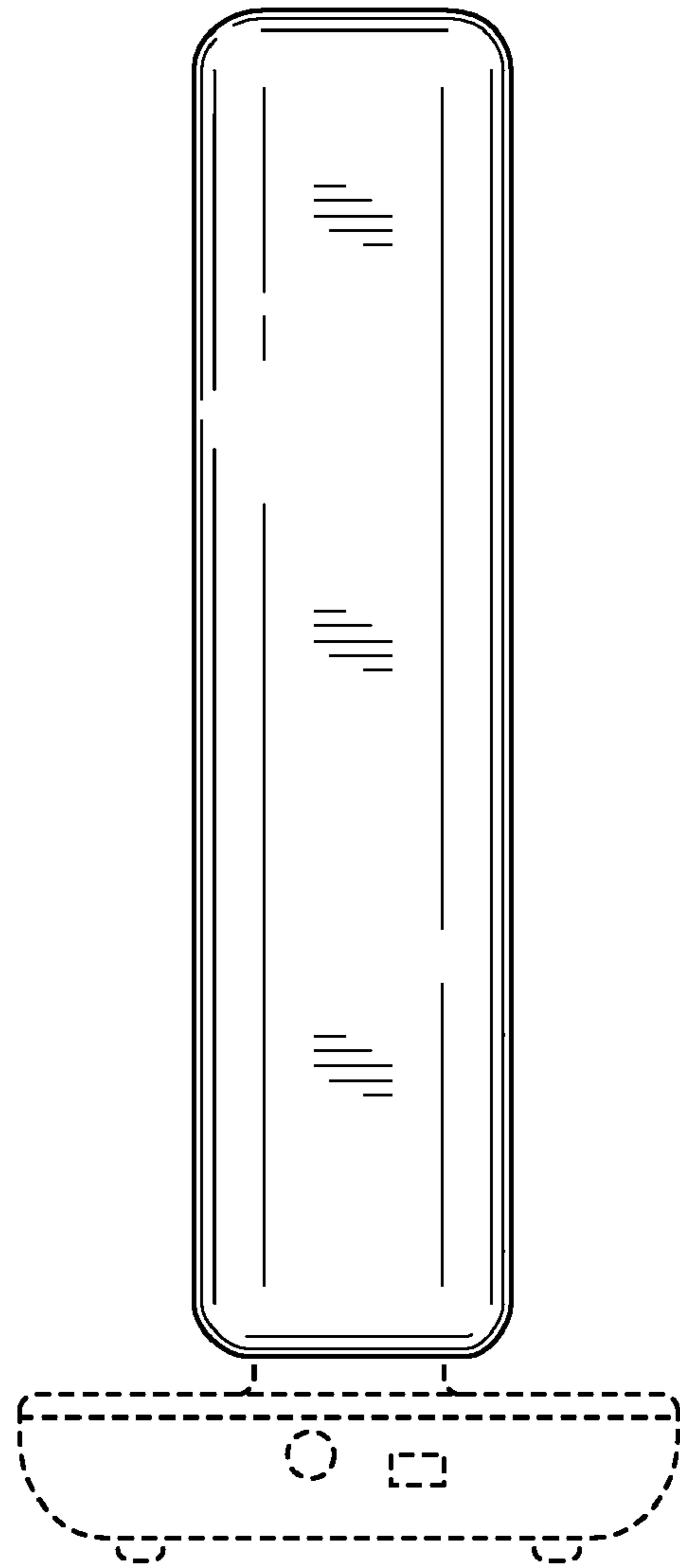


FIG. 5

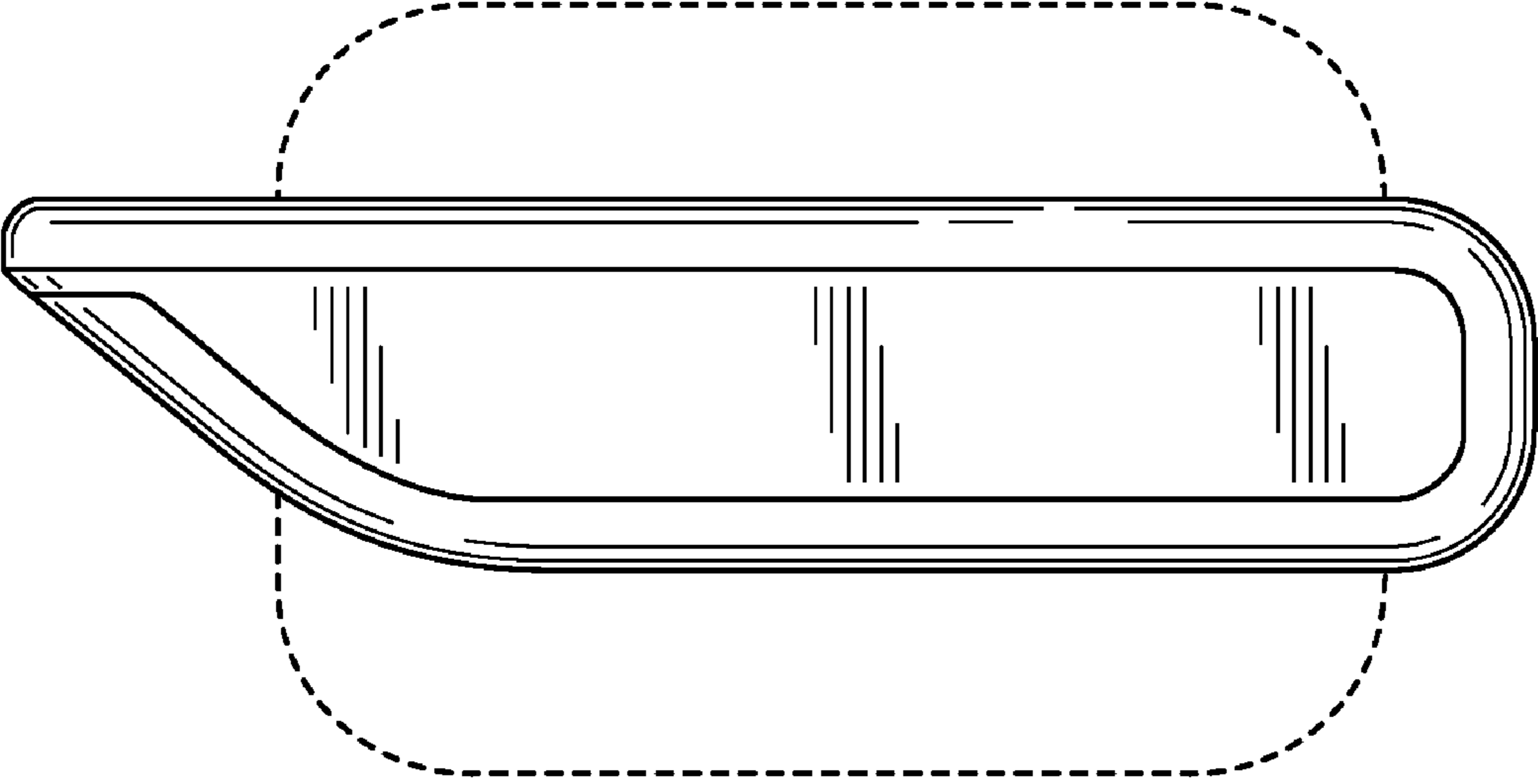


FIG. 6

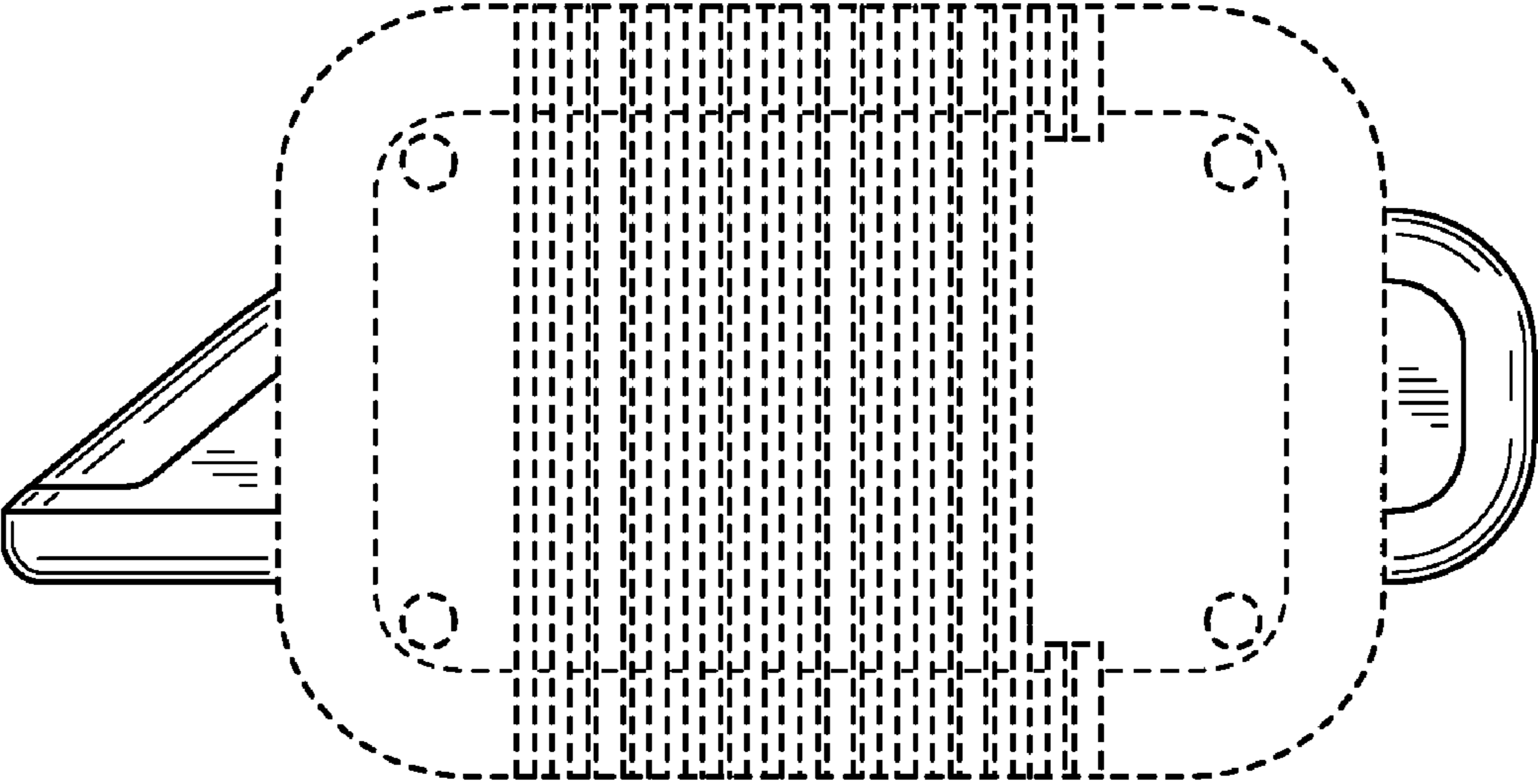


FIG. 7