



US00D587703S

(12) **United States Design Patent**
Yoon

(10) **Patent No.:** **US D587,703 S**
(45) **Date of Patent:** **** Mar. 3, 2009**

(54) **PORTABLE MOBILE COMPUTER**

(75) Inventor: **Sang-Won Yoon**, Seoul (KR)

(73) Assignee: **Samsung Electronics Co., Ltd.**,
Kyunggi-do (KR)

(**) Term: **14 Years**

(21) Appl. No.: **29/292,081**

(22) Filed: **Sep. 27, 2007**

(51) **LOC (9) Cl.** **14-02**

(52) **U.S. Cl.** **D14/341**

(58) **Field of Classification Search** D14/341,
D14/342, 343, 344, 345, 346, 347, 420, 426,
D14/427, 432, 434, 439, 440, 441, 448, 496,
D14/125, 137, 129, 130, 138, 250, 389, 147,
D14/218, 247, 248, 156; D10/65, 78, 104,
D10/46; D13/168; D18/6, 7; D21/329,
D21/686; D6/596, 601, 605; 455/90.3, 556.1,
455/556.2, 575.1, 575.3, 575.4; 379/433.01,
379/433.04, 433.06, 433.07; 361/814; 341/22;
345/169, 173

See application file for complete search history.

(56) **References Cited**

U.S. PATENT DOCUMENTS

D499,423 S	*	12/2004	Bahroocha et al.	D14/496
D517,042 S		3/2006	Byun et al.		
D518,472 S		4/2006	Byun et al.		
D528,544 S		9/2006	Kim		
D534,908 S		1/2007	Lee		
D535,631 S		1/2007	Millora		
D540,327 S	*	4/2007	Wong et al.	D14/434
D543,162 S		5/2007	Kim		
D551,185 S		9/2007	Choe		
D551,226 S		9/2007	Lee et al.		
D552,688 S	*	10/2007	Hussaini et al.	D21/333
D558,791 S	*	1/2008	Toh et al.	D14/496
D569,373 S	*	5/2008	Lee et al.	D14/341

D569,374 S	*	5/2008	Kataoka et al.	D14/341
D570,347 S	*	6/2008	Kataoka et al.	D14/341
2004/0223004 A1	*	11/2004	Lincke et al.	345/649
2008/0174560 A1	*	7/2008	Park	345/171

OTHER PUBLICATIONS

U.S. Appl. No. 29/262,197, Applicant: Se-O Lee, et al., filed Jun. 28, 2006 entitled Portable Personal Computer.
U.S. Appl. No. 29/269,012, Applicant: Tetsu Kataoka, et al., filed Nov. 17, 2006 entitled Portable Mobile Computer.
U.S. Appl. No. 29/272,051, Applicant: Tetsu Kataoka, et al., filed Jan. 31, 2007 entitled Portable Mobile Computer.
U.S. Appl. No. 29/288,859, Applicant: Hyoung-Shin Park, et al., filed Jun. 25, 2007 entitled Portable Terminal.

* cited by examiner

Primary Examiner—Cathron C Brooks

Assistant Examiner—Barbara Fox

(74) *Attorney, Agent, or Firm*—Flynn, Thiel, Boutell & Tanis, P.C.

(57) **CLAIM**

The ornamental design for a portable mobile computer, as shown and described.

DESCRIPTION

FIG. 1 is a top front perspective view of a portable mobile computer showing my new design;

FIG. 2 is a front elevational view thereof;

FIG. 3 is a rear elevational view thereof;

FIG. 4 is a left side elevational view thereof;

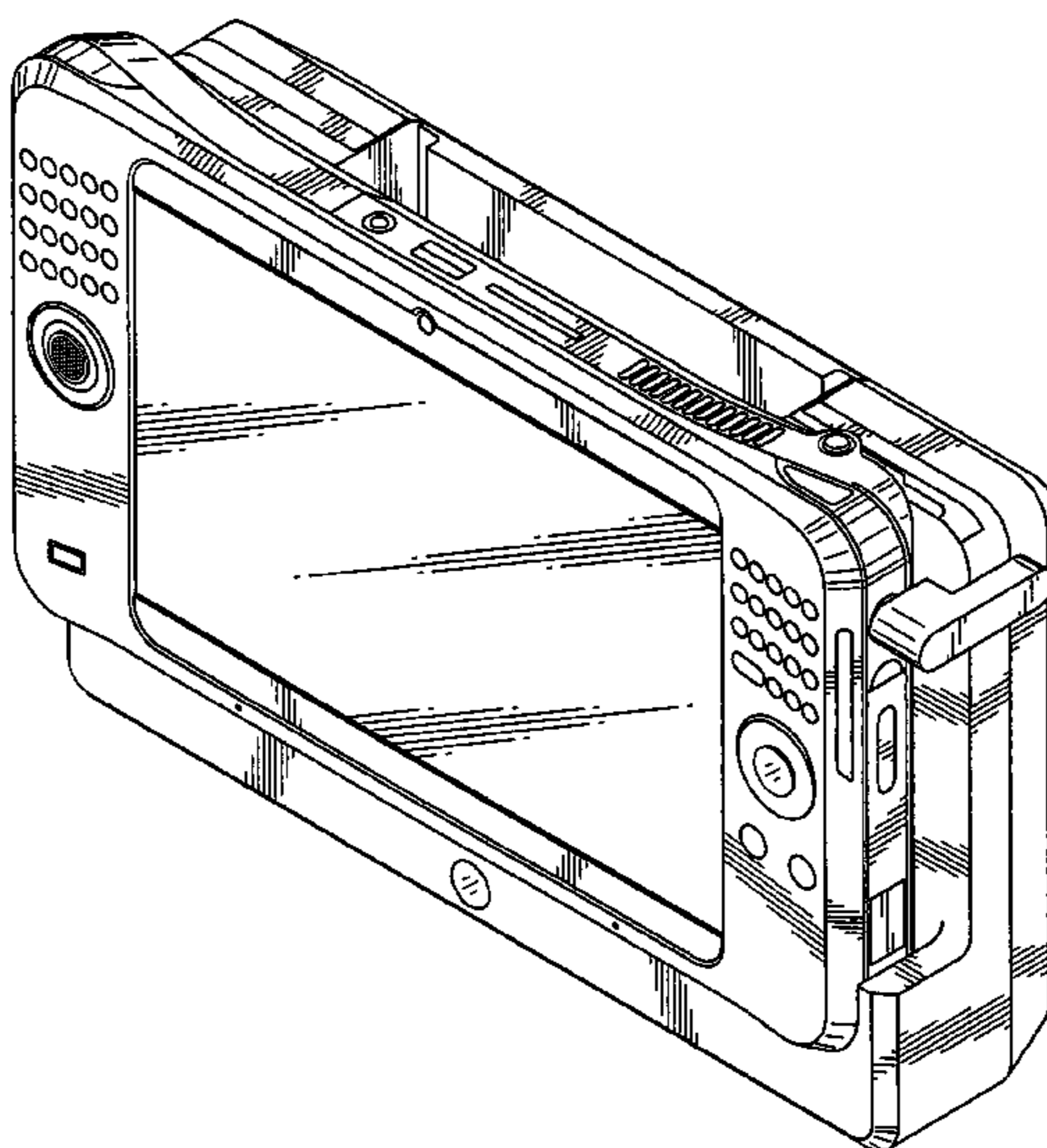
FIG. 5 is a right side elevational view thereof;

FIG. 6 is a top plan view thereof; and,

FIG. 7 is a bottom plan view thereof.

The broken lines depict environmental subject matter only and form no part of the claimed design.

1 Claim, 4 Drawing Sheets



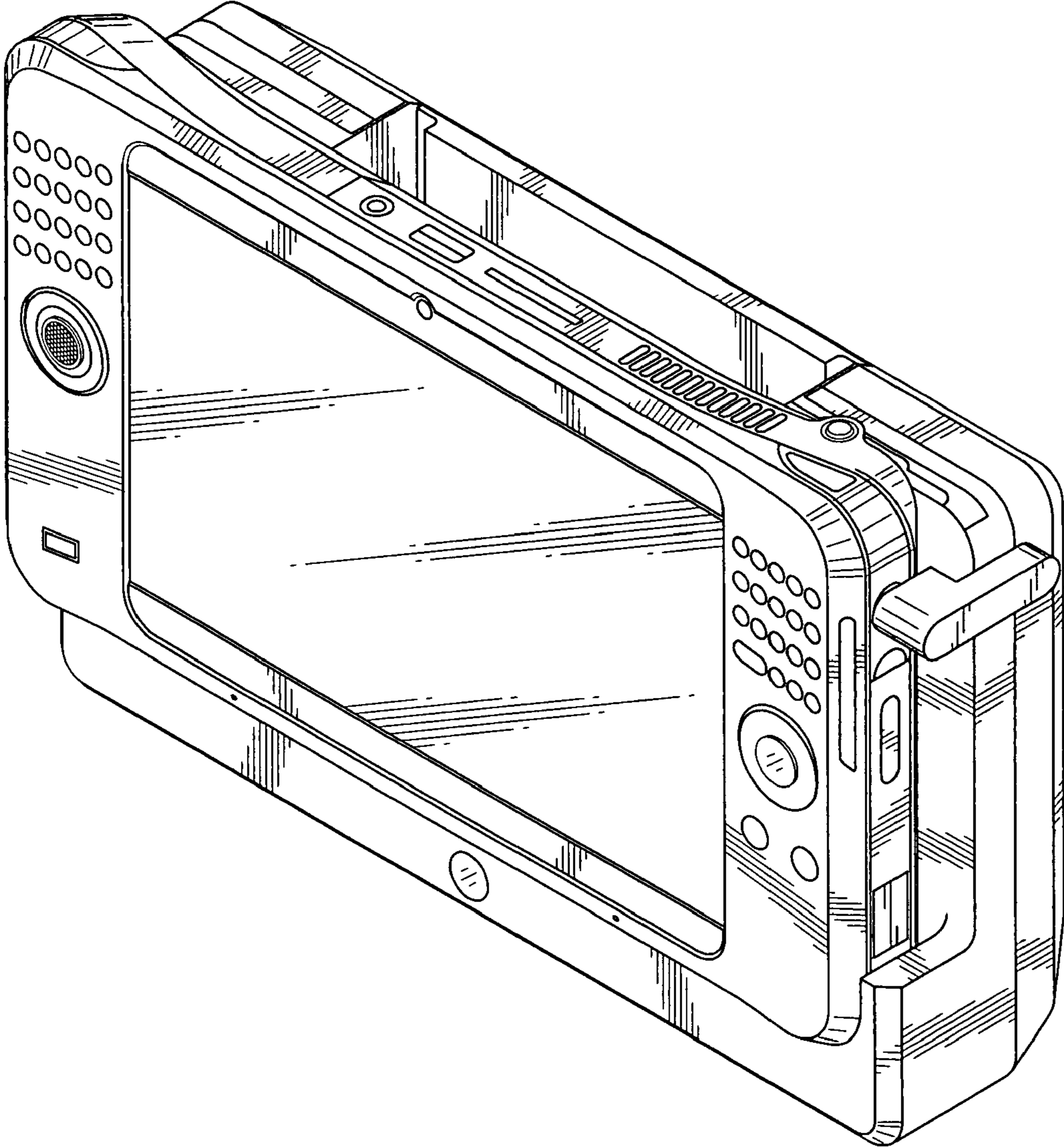


FIG. 1

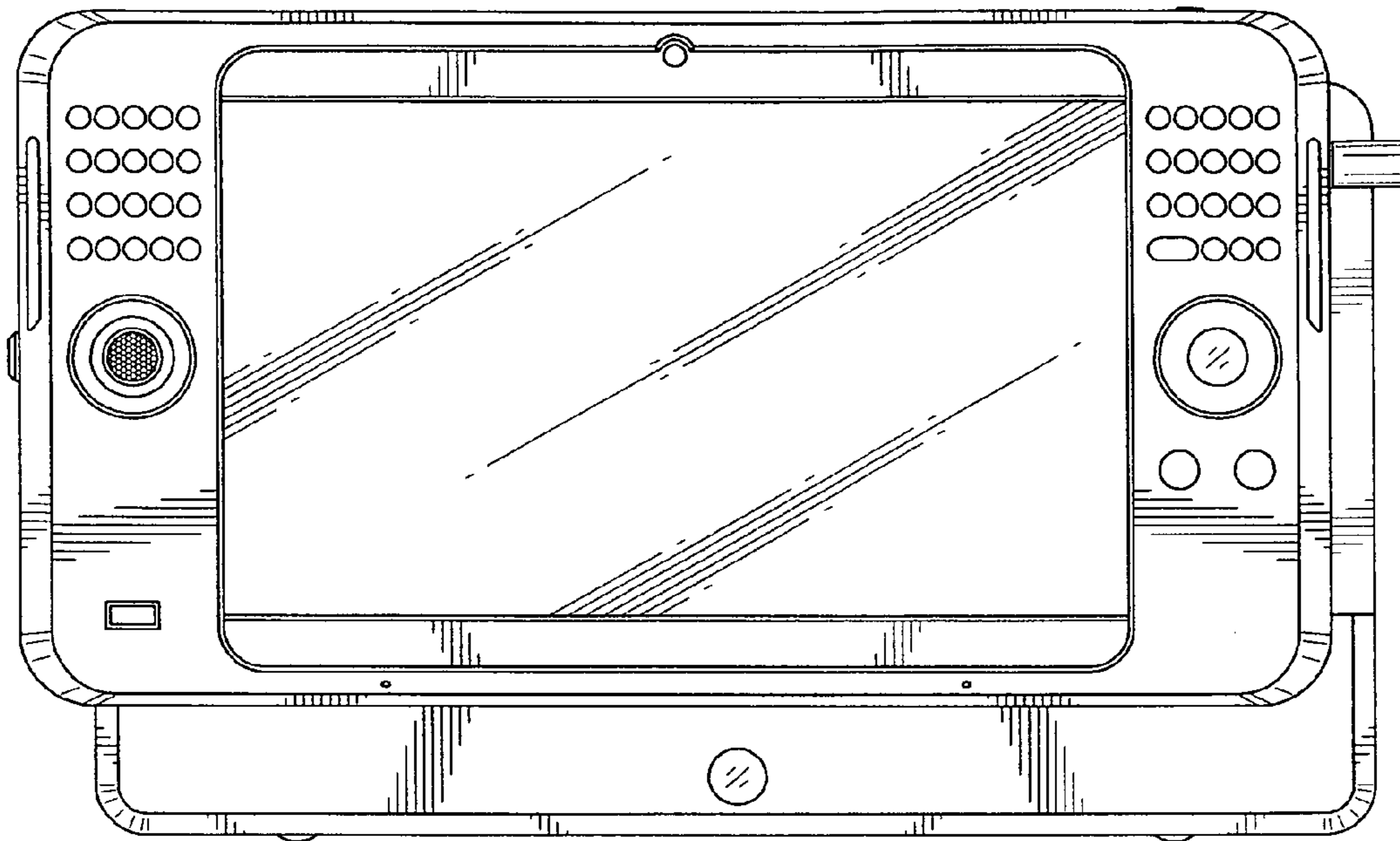


FIG. 2

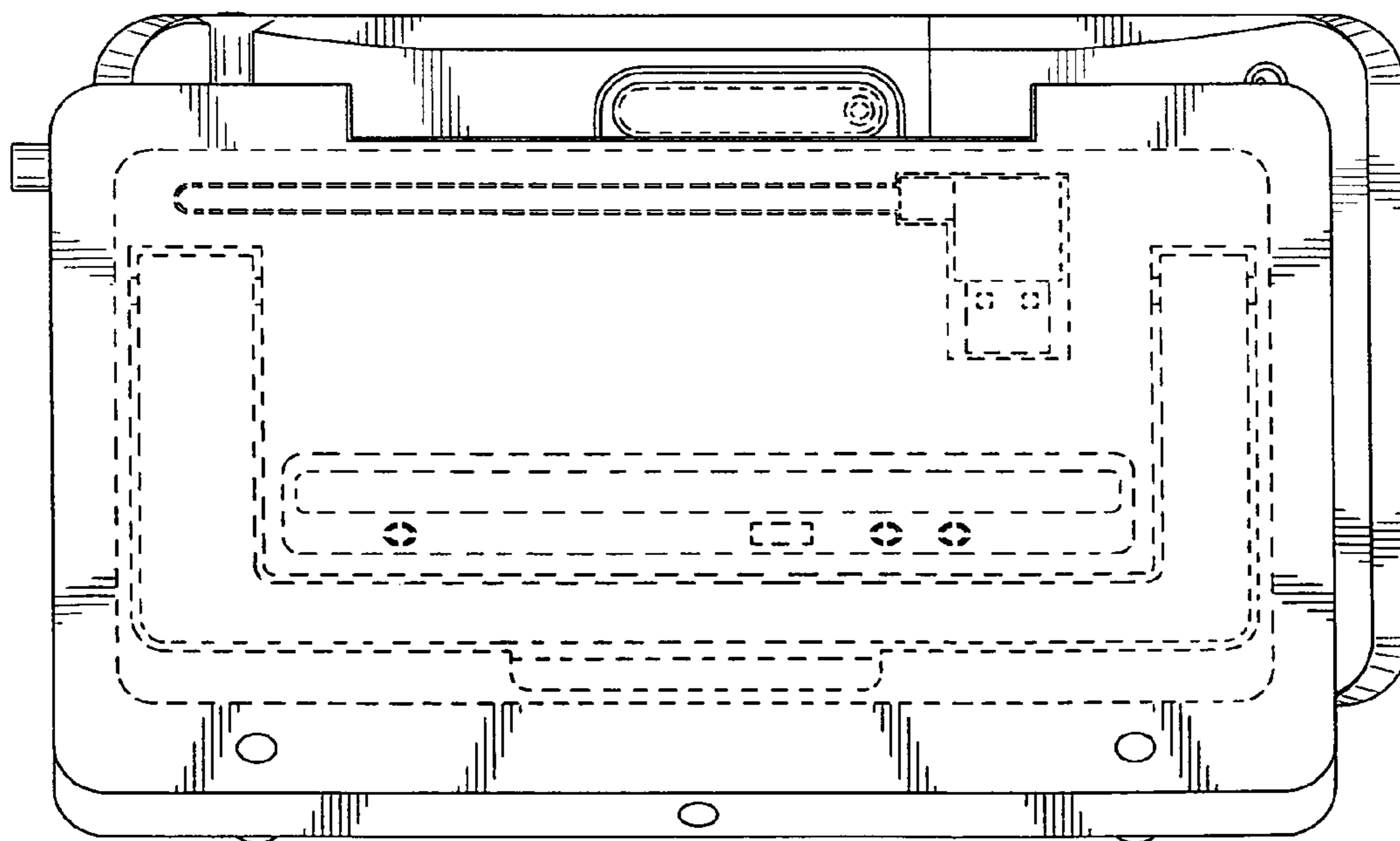


FIG. 3

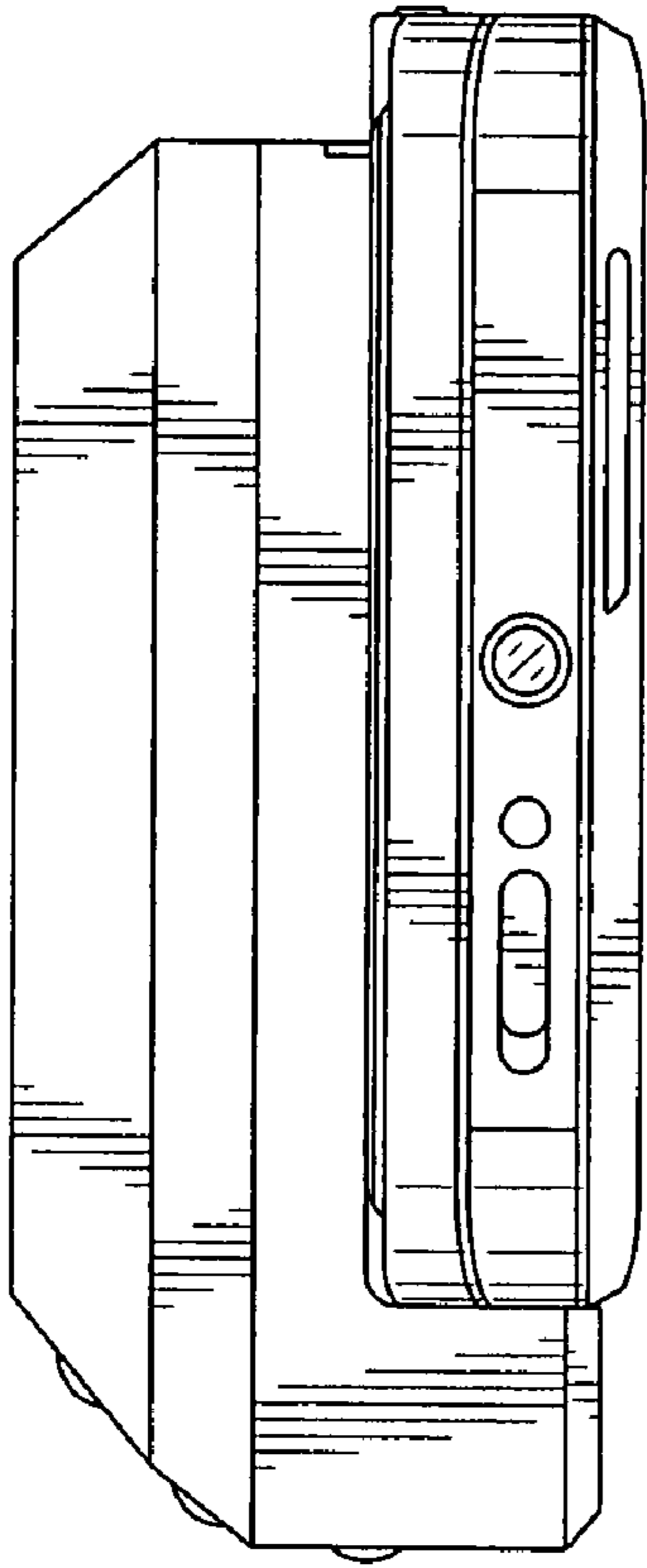


FIG. 4

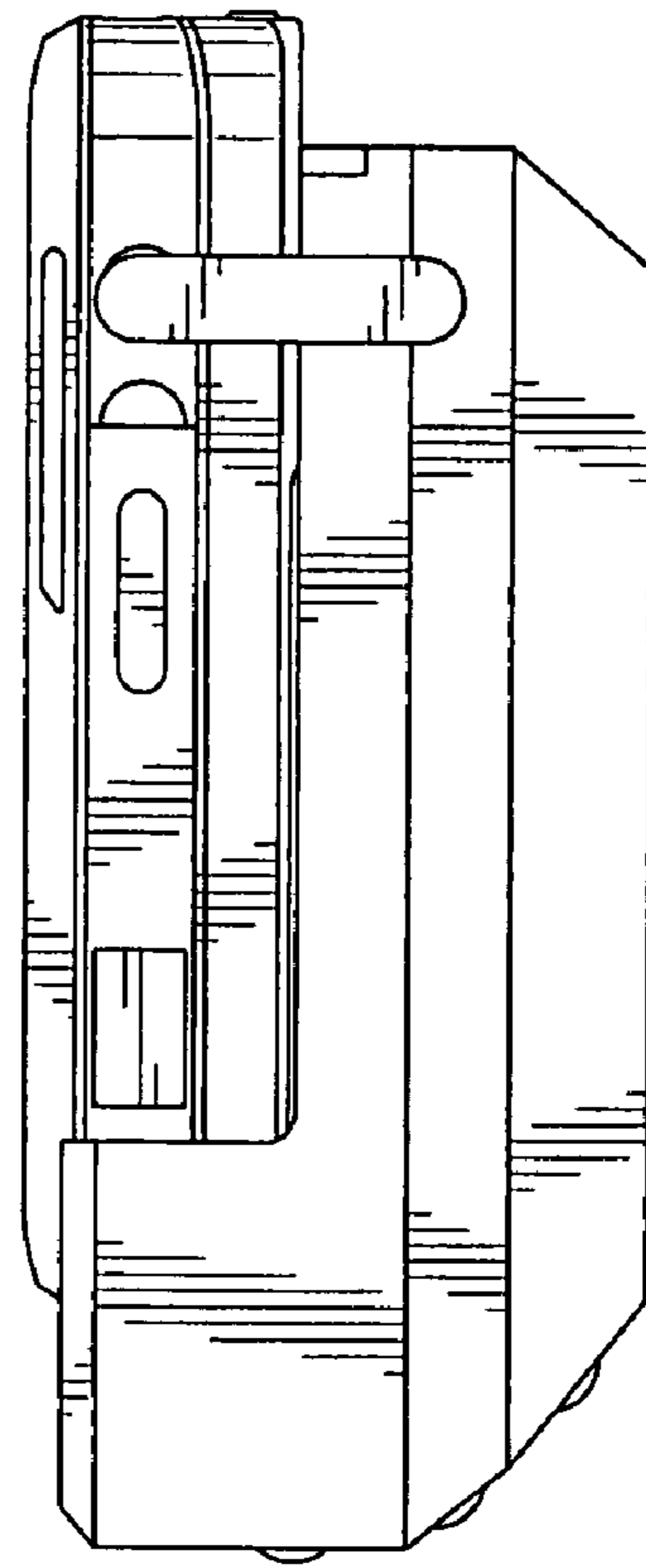


FIG. 5

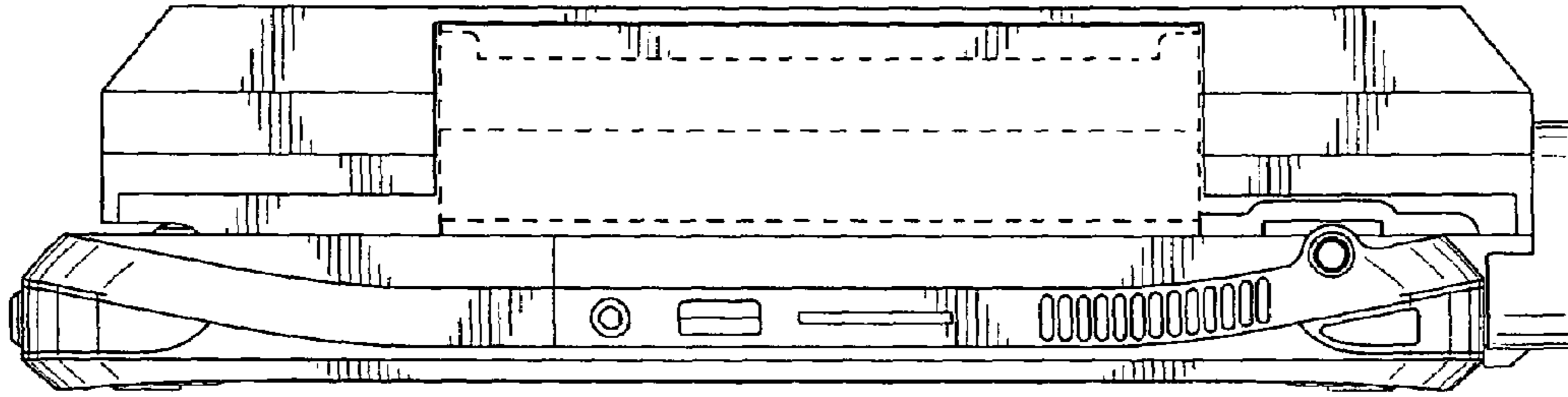


FIG. 6

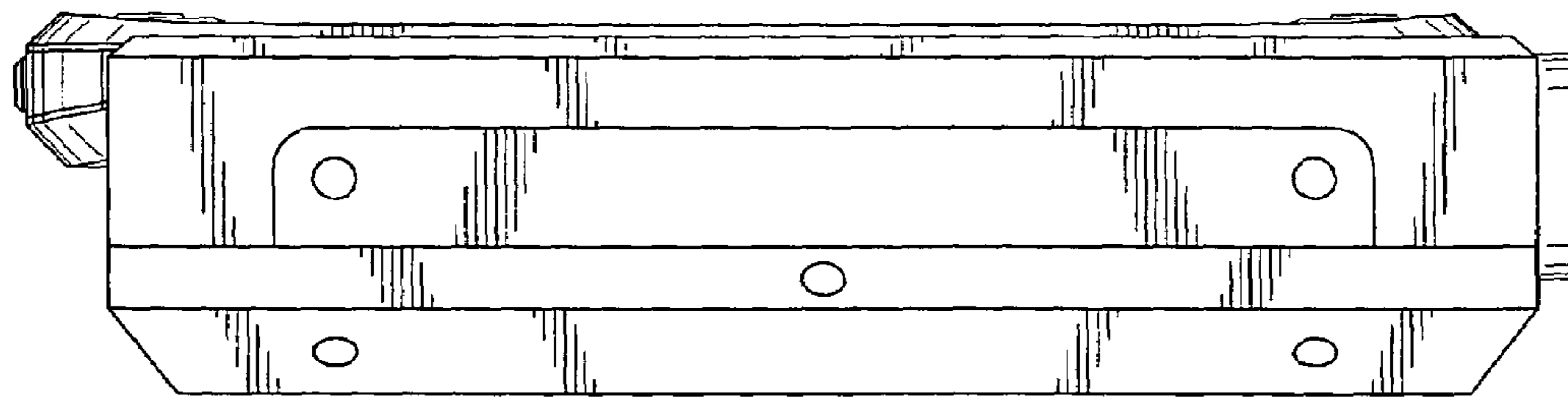


FIG. 7