



US00D587698S

(12) **United States Design Patent**  
**Framo**

(10) **Patent No.:** **US D587,698 S**  
(45) **Date of Patent:** **\*\* Mar. 3, 2009**

(54) **SANITIZING PHONE PAD**

(76) Inventor: **Vincent Framo**, 650 Weiler La.,  
Absecon, NJ (US) 08201

(\*\*) Term: **14 Years**

(21) Appl. No.: **29/271,132**

(22) Filed: **Jan. 10, 2007**

(51) **LOC (9) Cl.** ..... **14-03**

(52) **U.S. Cl.** ..... **D14/250**

(58) **Field of Classification Search** ..... D14/140,  
D14/142, 240, 249, 250, 205-206, 223, 137,  
D14/251, 253, 138 R, 138 AA; D6/300,  
D6/309, 610, 595-596, 601, 611, 613; 455/575.8;  
379/446-447, 452, 433.11, 439, 440, 437;  
D22/110; D24/189, 188; D32/40; D5/63,  
D5/81; 15/209.1, 229.14, 118; D3/273,  
D3/280, 288, 215, 218

See application file for complete search history.

(56) **References Cited**

**U.S. PATENT DOCUMENTS**

3,148,249	A *	9/1964	King	379/452
3,169,171	A *	2/1965	Wachs et al.	379/452
D216,891	S *	3/1970	Onuki	D14/249
D291,306	S *	8/1987	Espinosa	D14/249
4,819,264	A *	4/1989	Lemley	379/452
D307,275	S *	4/1990	Pollard	D14/249
D307,753	S *	5/1990	Oliver	D14/249
5,054,063	A	10/1991	Lo et al.	
D358,396	S *	5/1995	Holbeck	D14/250
D371,136	S *	6/1996	Horowitz	D14/250

5,550,918	A	8/1996	Zdanov	
D380,477	S *	7/1997	Williams et al.	D14/250
5,862,215	A *	1/1999	Garriette	379/452
6,314,185	B1 *	11/2001	Lashley	379/452
6,560,335	B2	5/2003	Zohn et al.	
D484,123	S *	12/2003	Petry	D14/250
D532,240	S *	11/2006	Pressler	D6/601
2003/0147528	A1 *	8/2003	Pfaff	379/451

\* cited by examiner

*Primary Examiner*—Ian Simmons  
*Assistant Examiner*—Wan Laymon

(57) **CLAIM**

The ornamental design for a sanitizing phone pad, as shown and described.

**DESCRIPTION**

FIG. 1 is a perspective view of a sanitizing phone pad showing my new design;

FIG. 2 is an enlarged perspective view of one pad shown in FIG. 1 thereof;

FIG. 3 is a top plan view thereof;

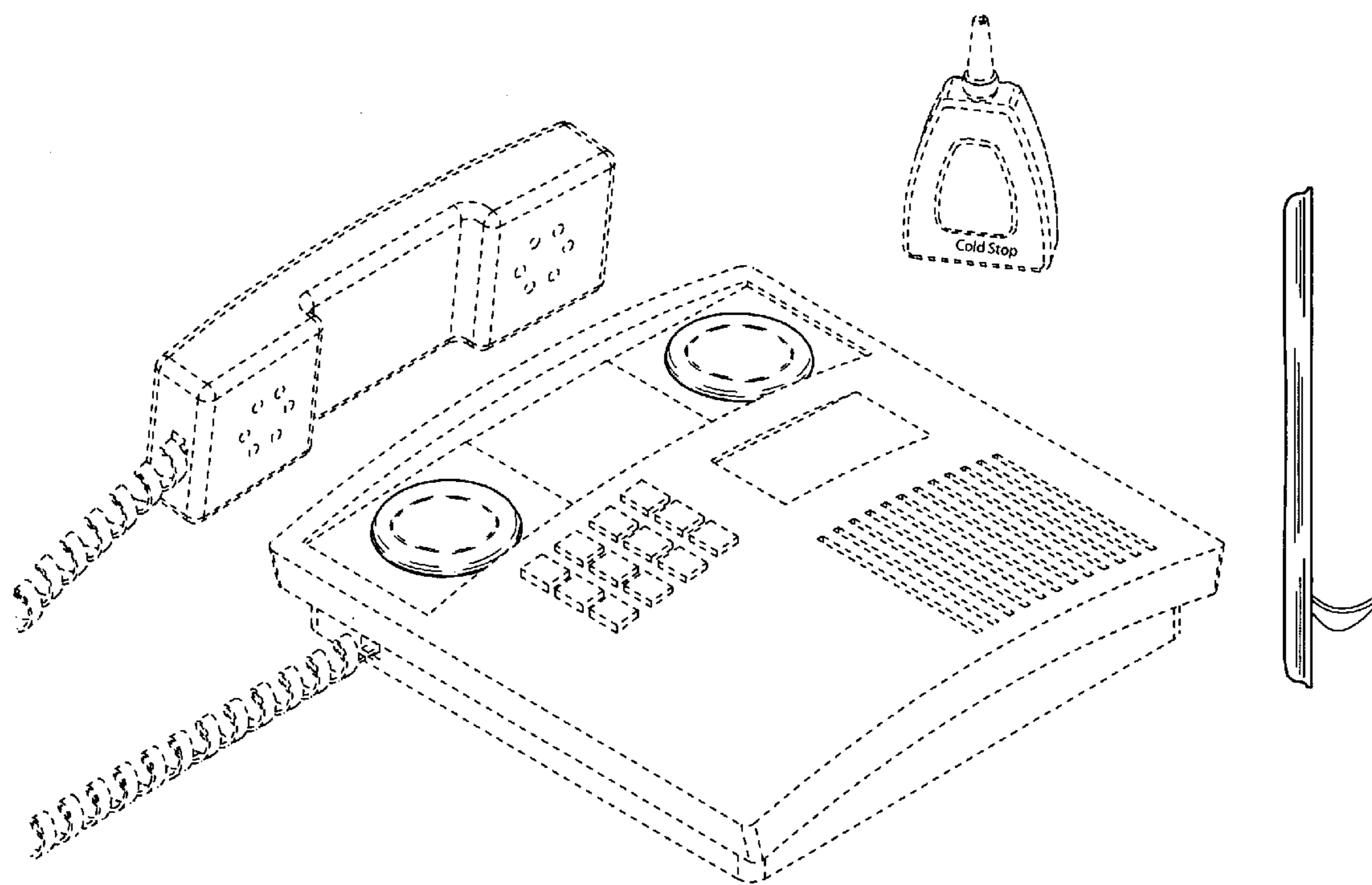
FIG. 4 is a side elevational view thereof with the adhesive layer partially peeled away;

FIG. 5 is a bottom plan view thereof; and,

FIG. 6 is an enlarged front elevational view thereof.

The broken lines showing the telephone, receiver, bottom, and the cord are included for the purpose of illustrating environmental structure and form no part of the claimed design.

**1 Claim, 4 Drawing Sheets**



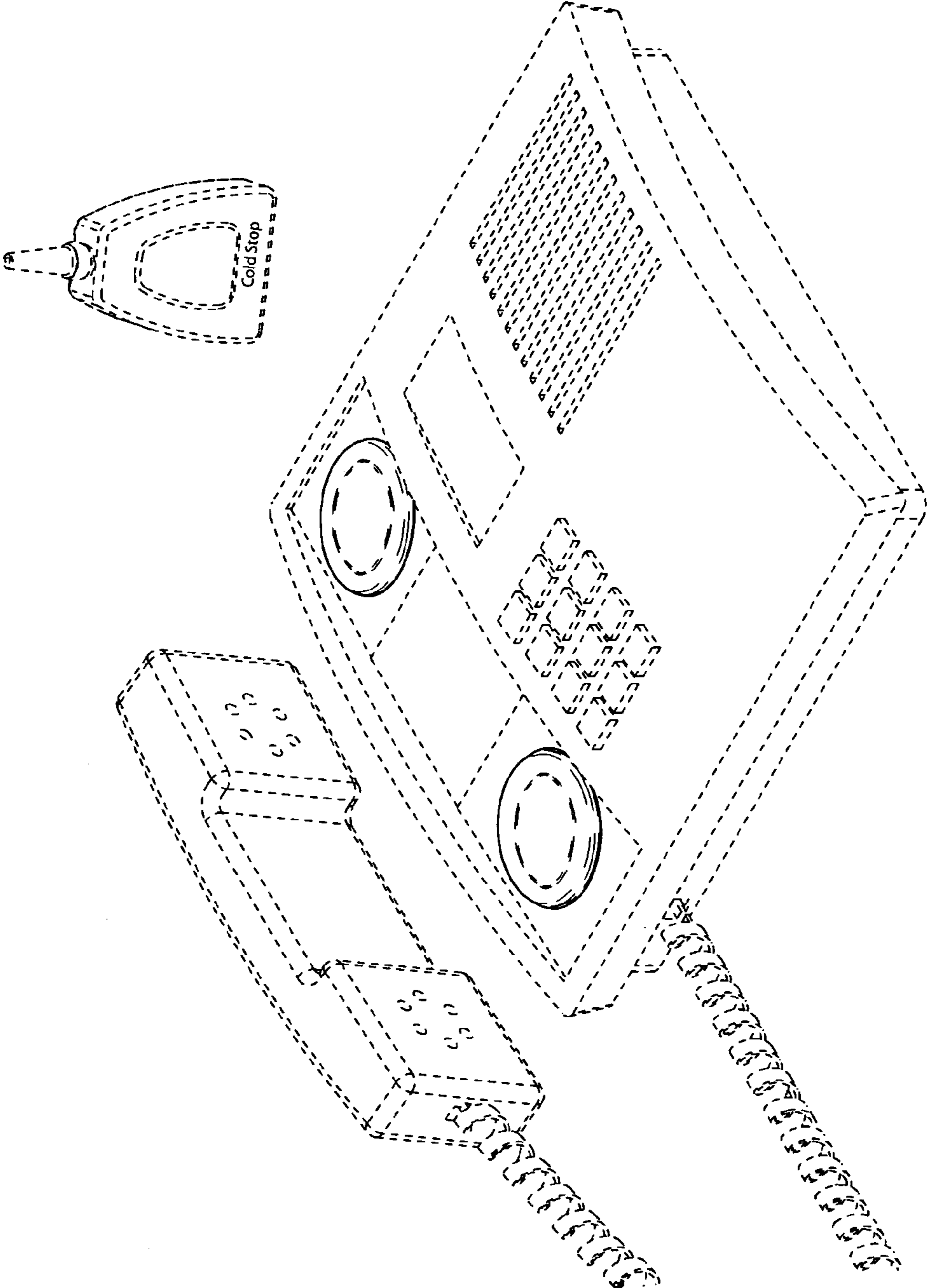


FIG. 1

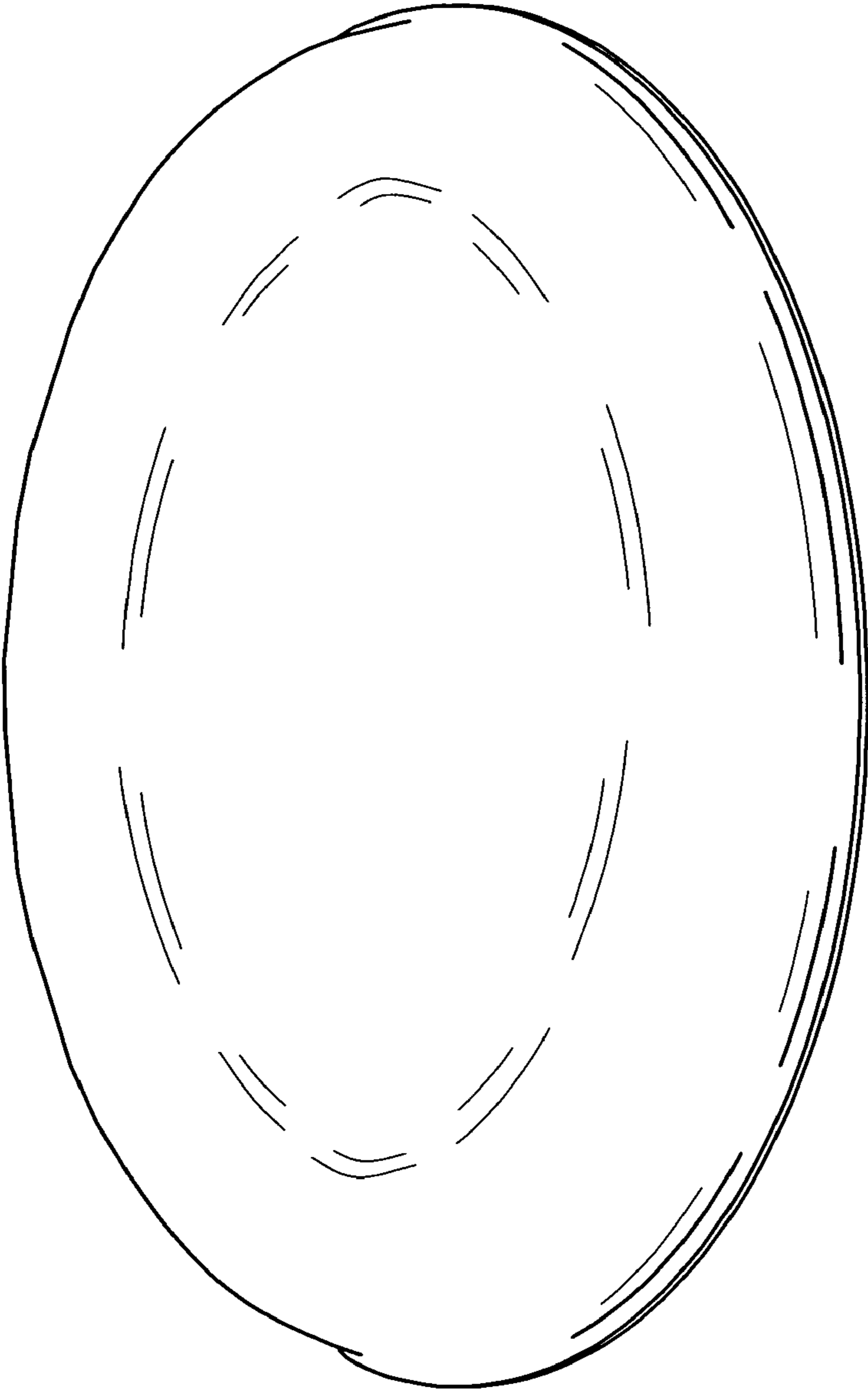


FIG. 2

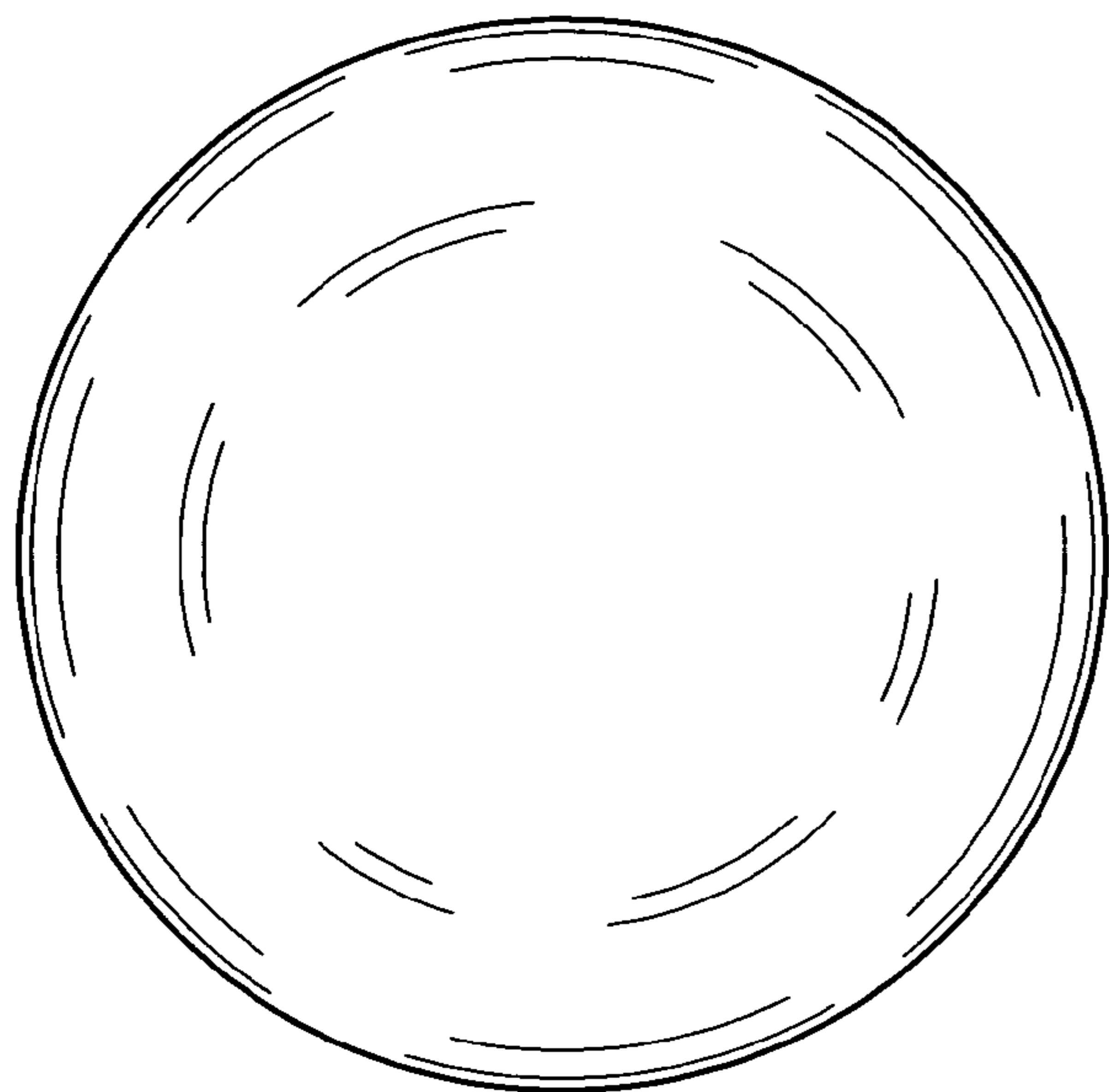


FIG. 3

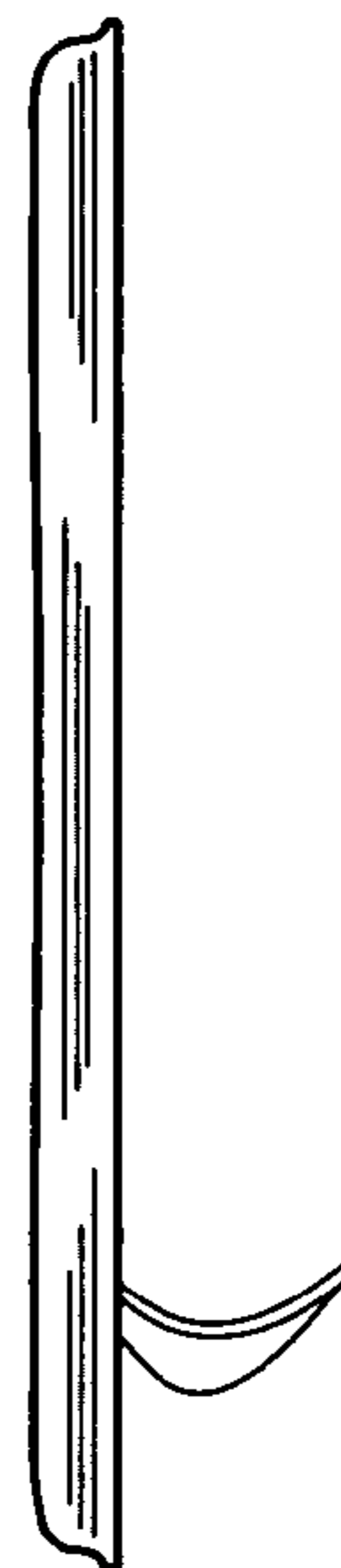


FIG. 4

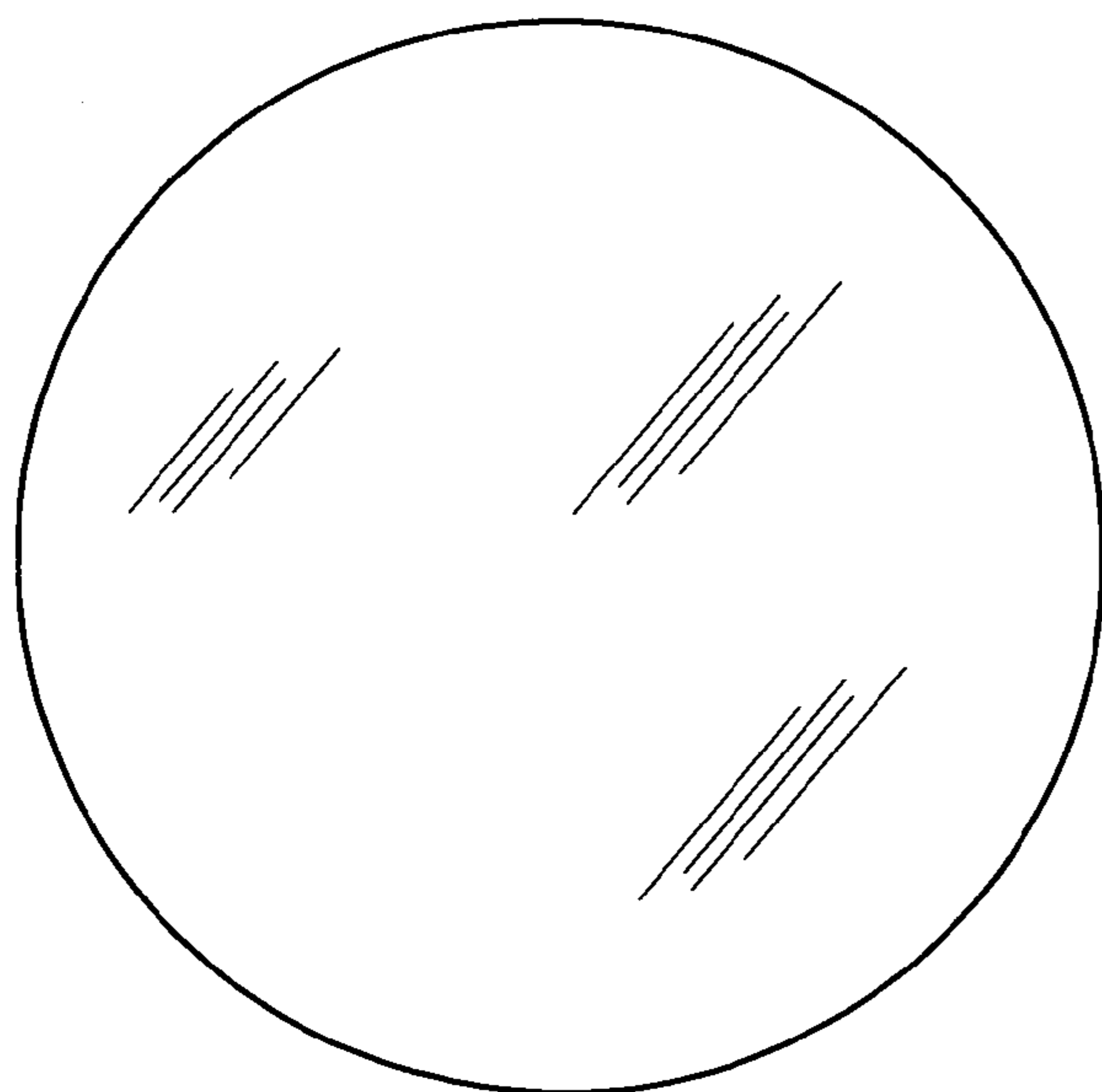


FIG. 5

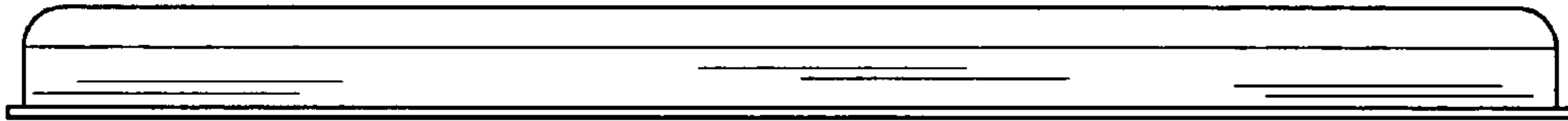


FIG. 6