



US00D587687S

(12) **United States Design Patent**
Dayan et al.

(10) **Patent No.:** **US D587,687 S**
(45) **Date of Patent:** **** Mar. 3, 2009**

(54) **UTILITY RADIO FRAME**

(75) Inventors: **Mervin A. Dayan**, Oakhurst, NJ (US);
Alan Zussman, Old Bridge, NJ (US)

(73) Assignee: **Intellectual Solutions, Inc.**

(**) Term: **14 Years**

(21) Appl. No.: **29/322,626**

(22) Filed: **Aug. 7, 2008**

Related U.S. Application Data

(63) Continuation of application No. 29/298,975, filed on Dec. 17, 2007, now abandoned.

(51) **LOC (9) Cl.** **14-03**

(52) **U.S. Cl.** **D14/217; D14/188**

(58) **Field of Classification Search** D14/137,
D14/155, 168, 169, 188, 192-198, 204, 217,
D14/257, 258, 265, 496; 455/344-351; 369/6-12
See application file for complete search history.

(56) **References Cited**

U.S. PATENT DOCUMENTS

D373,359 S	9/1996	Meyer et al.	
D381,335 S	7/1997	Whitehead	
D388,092 S	12/1997	Coppola	
D405,794 S	2/1999	Olsen	
D409,613 S	5/1999	McGee et al.	
D418,836 S *	1/2000	Matt et al.	D14/196
D444,457 S	7/2001	Kuo	
D444,459 S	7/2001	Matt et al.	
D474,175 S	5/2003	Furusho et al.	
D474,177 S	5/2003	Furusho et al.	
D479,223 S	9/2003	Furusho et al.	
D488,438 S *	4/2004	Zick et al.	D13/107
D500,487 S *	1/2005	Concari et al.	D14/188
D510,927 S	10/2005	Harris, Jr. et al.	
D511,136 S *	11/2005	Hirschburger et al.	D13/107
D521,490 S *	5/2006	VanWambeke	D14/188
D530,312 S	10/2006	Schmieta et al.	

D533,161 S *	12/2006	Concari et al.	D14/188
D538,263 S	3/2007	Yasuda et al.	
D538,782 S *	3/2007	Ishibashi	D14/168
D539,784 S	4/2007	Yasuda et al.	
D544,855 S	6/2007	Hibino	

OTHER PUBLICATIONS

Sangean(A World of Listening), Sangean America, Inc.—Product Literature Aug. 23, 2007.

<http://www.amazon.com/Sangean-U-3-Utility-Radio/dp/B000FA07NK> Aug. 23, 2007.

http://www.cgets.com/item--Rugged-Utility-Radio--rugged_utility_radio Aug. 23, 2007.

<http://www.amazon.com?Jeep-JX-RR-Rugged-Utility-Radio/dp/B00068OSO0> Aug. 23, 2007.

* cited by examiner

Primary Examiner—Stella M Reid

Assistant Examiner—Keli L Acker

(74) *Attorney, Agent, or Firm*—Brian L. Belles; The Belles Group, P.C.

(57) **CLAIM**

The ornamental design for a utility radio frame, as shown and described.

DESCRIPTION

FIG. 1 is a front perspective view of a utility radio frame showing my design.

FIG. 2 is a right-side view of the utility radio frame of FIG. 1.

FIG. 3 is a left-side view of the utility radio frame of FIG. 1.

FIG. 4 is a top view of the utility radio frame of FIG. 1.

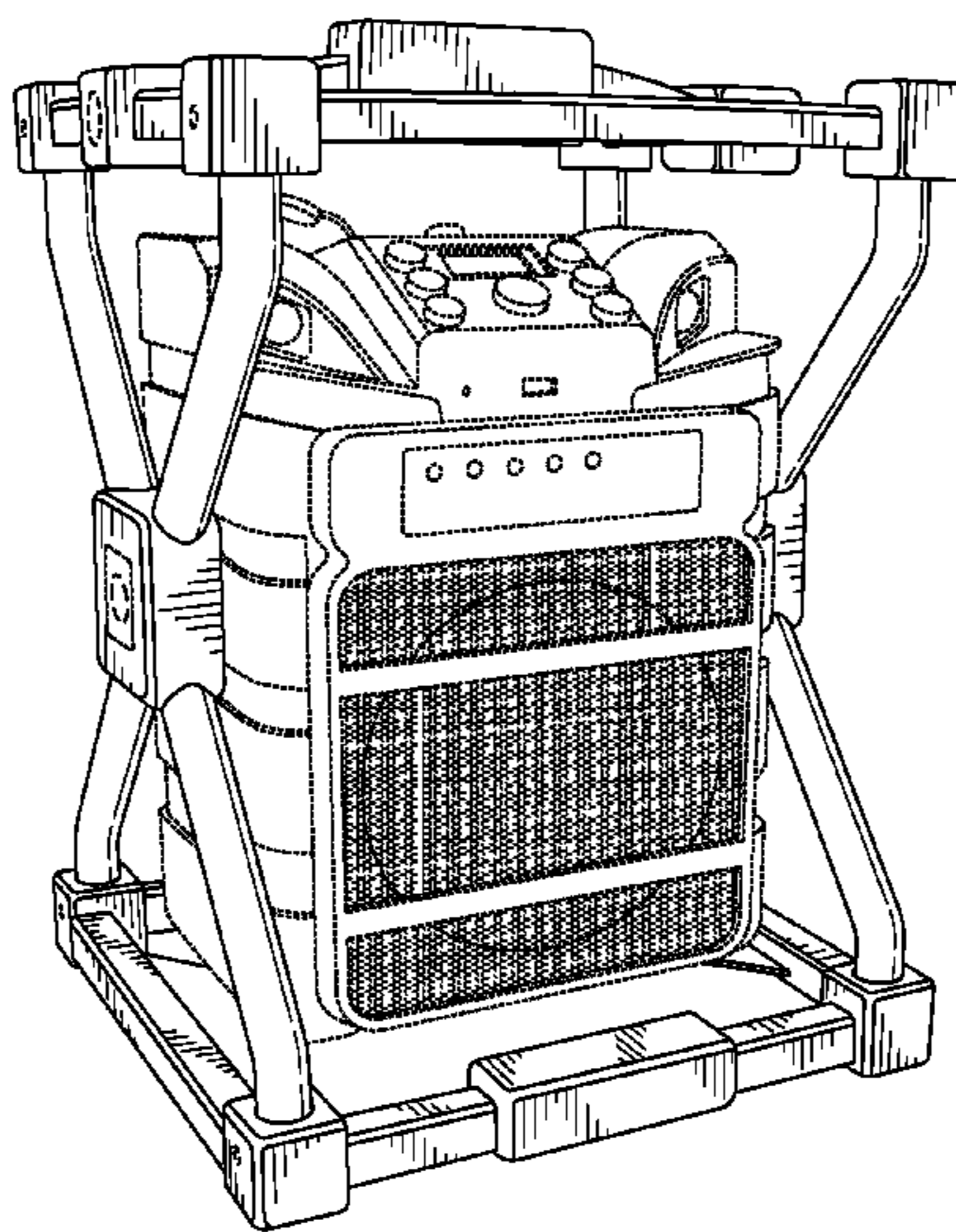
FIG. 5 is a bottom view of the utility radio frame of FIG. 1.

FIG. 6 is a front view of the utility radio frame of FIG. 1; and,

FIG. 7 is a rear view of the utility radio frame of FIG. 1.

The broken line showing of the radio body and speaker mesh represent portions of the design that form no part of the claim.

1 Claim, 7 Drawing Sheets



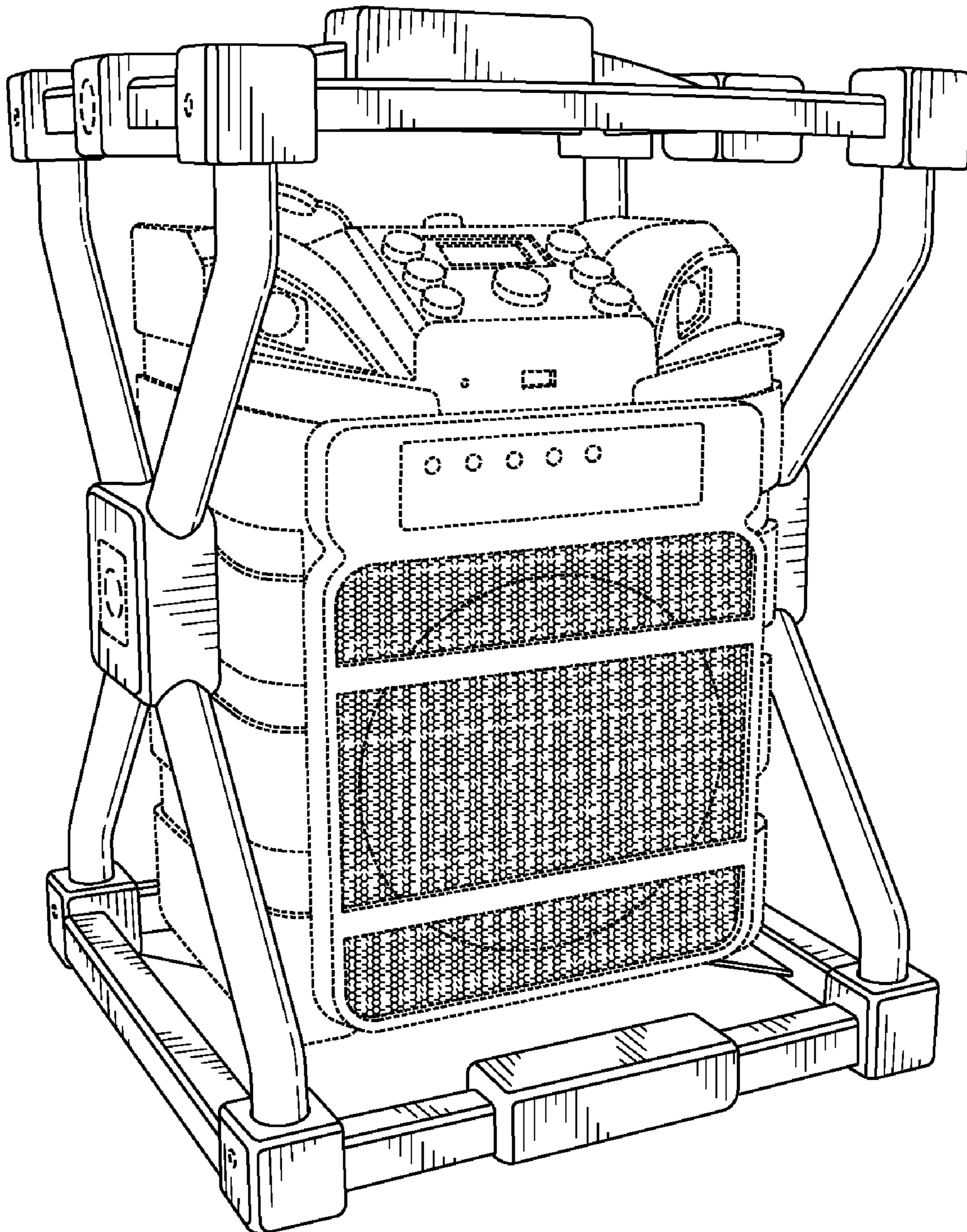


FIG. 1

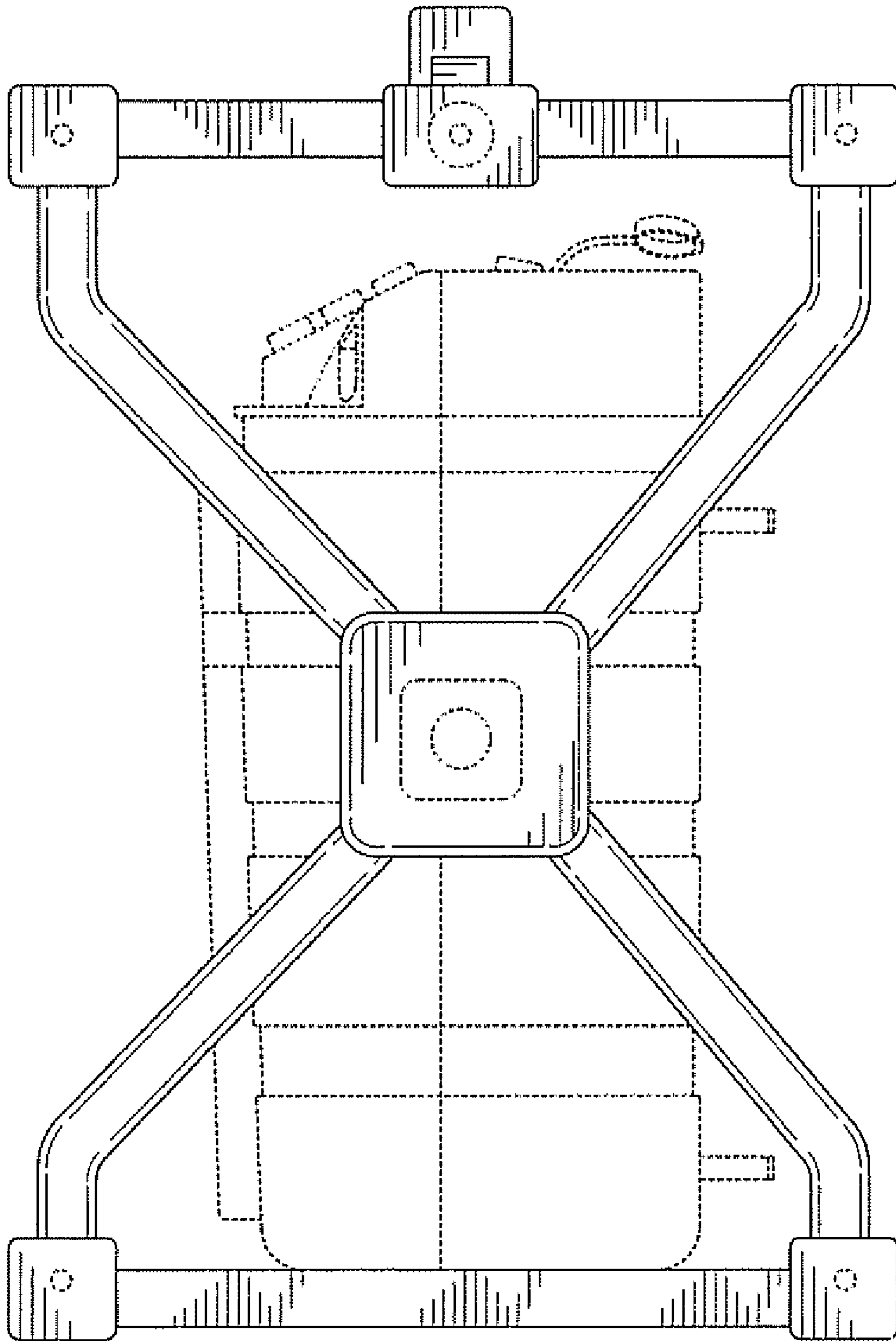


FIG. 2

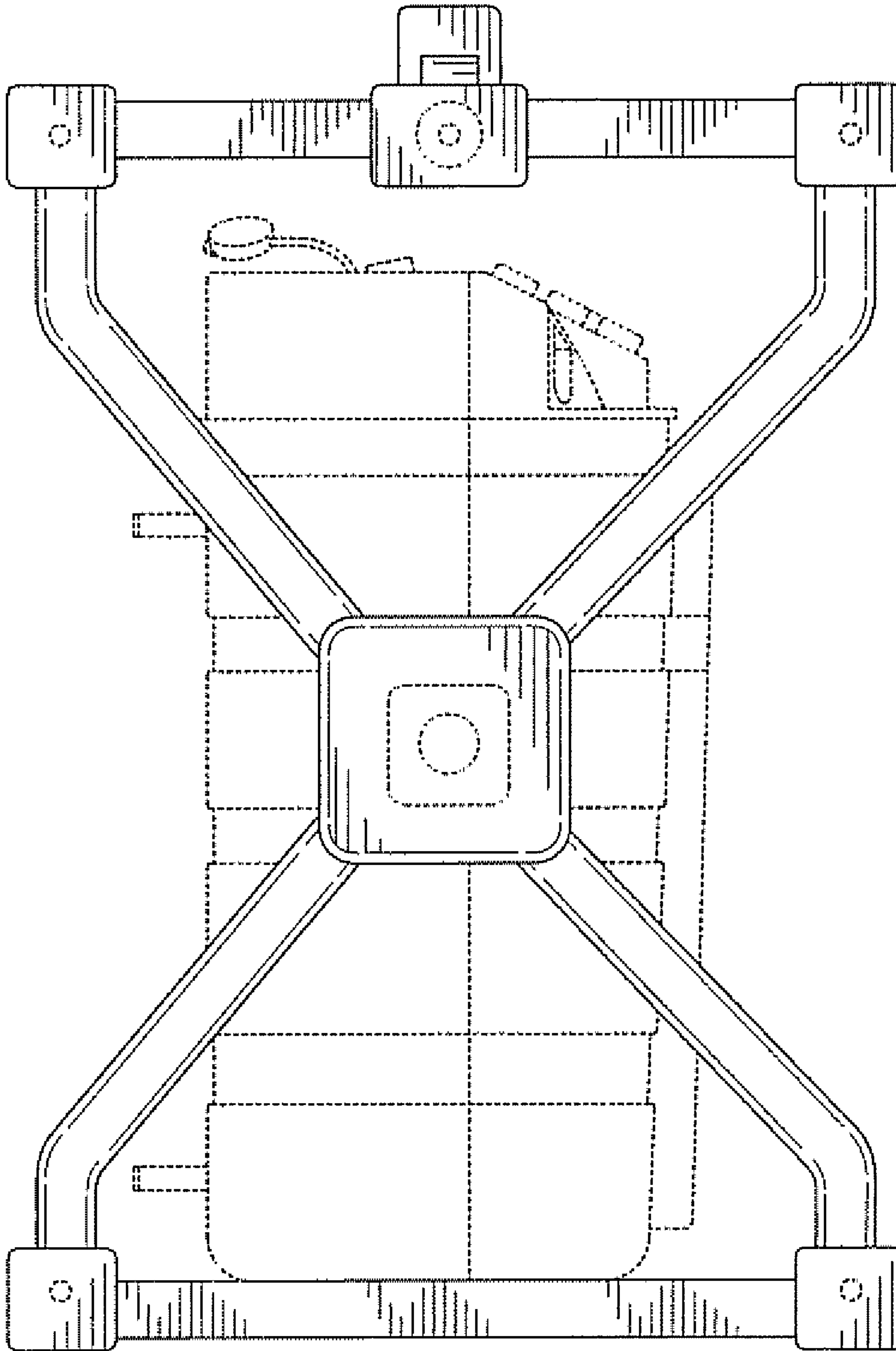


FIG. 3

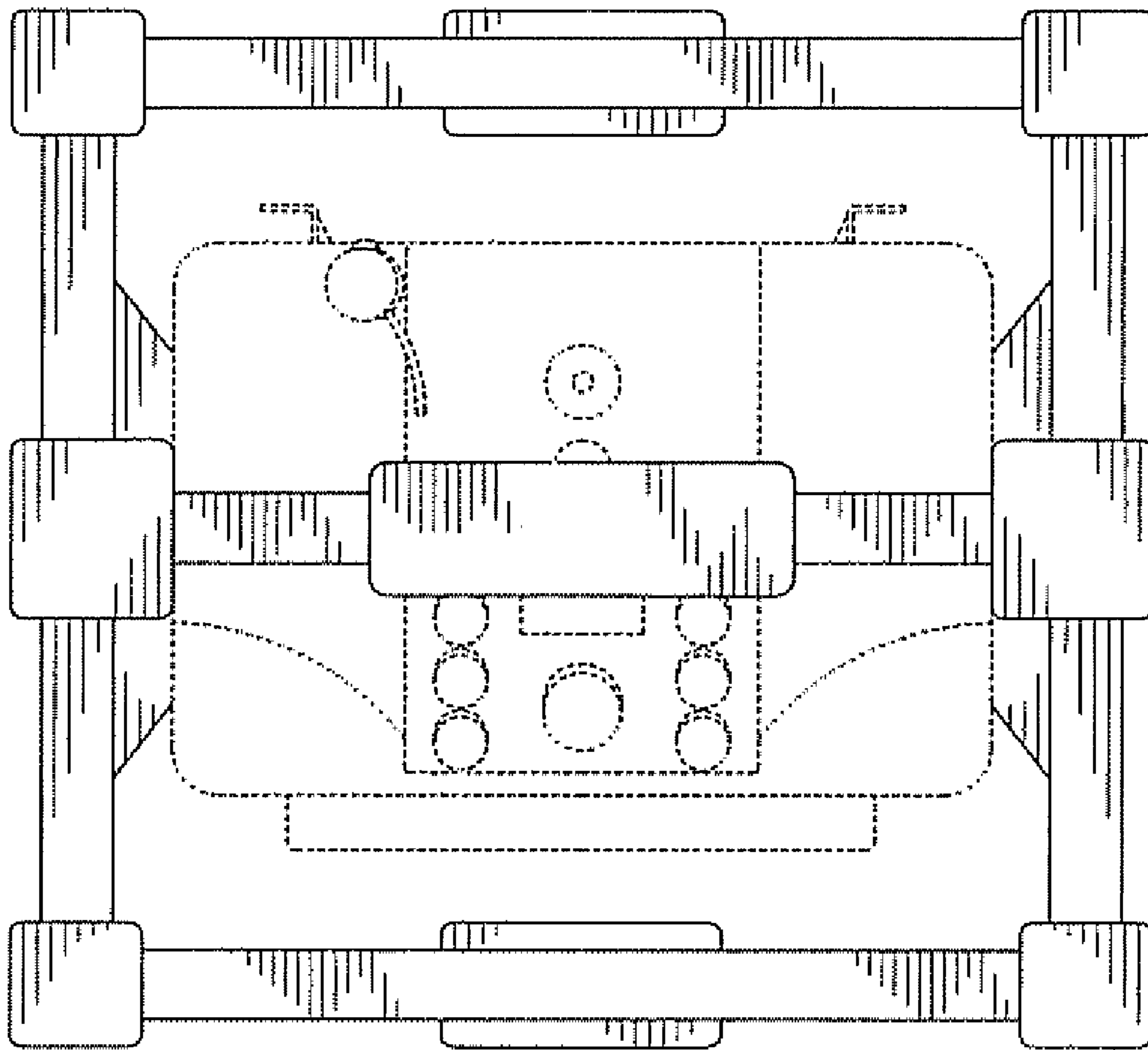


FIG. 4

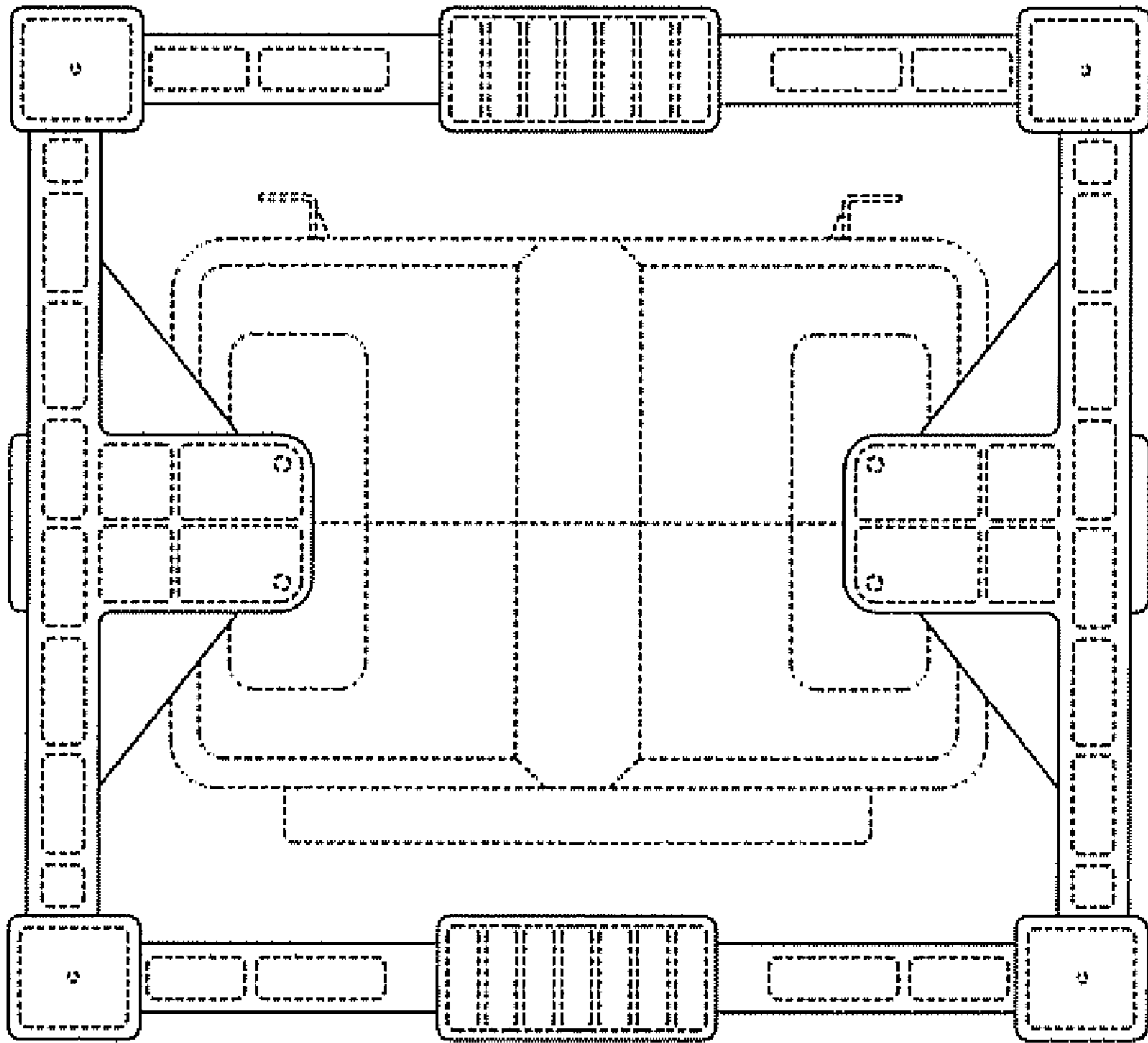


FIG. 5

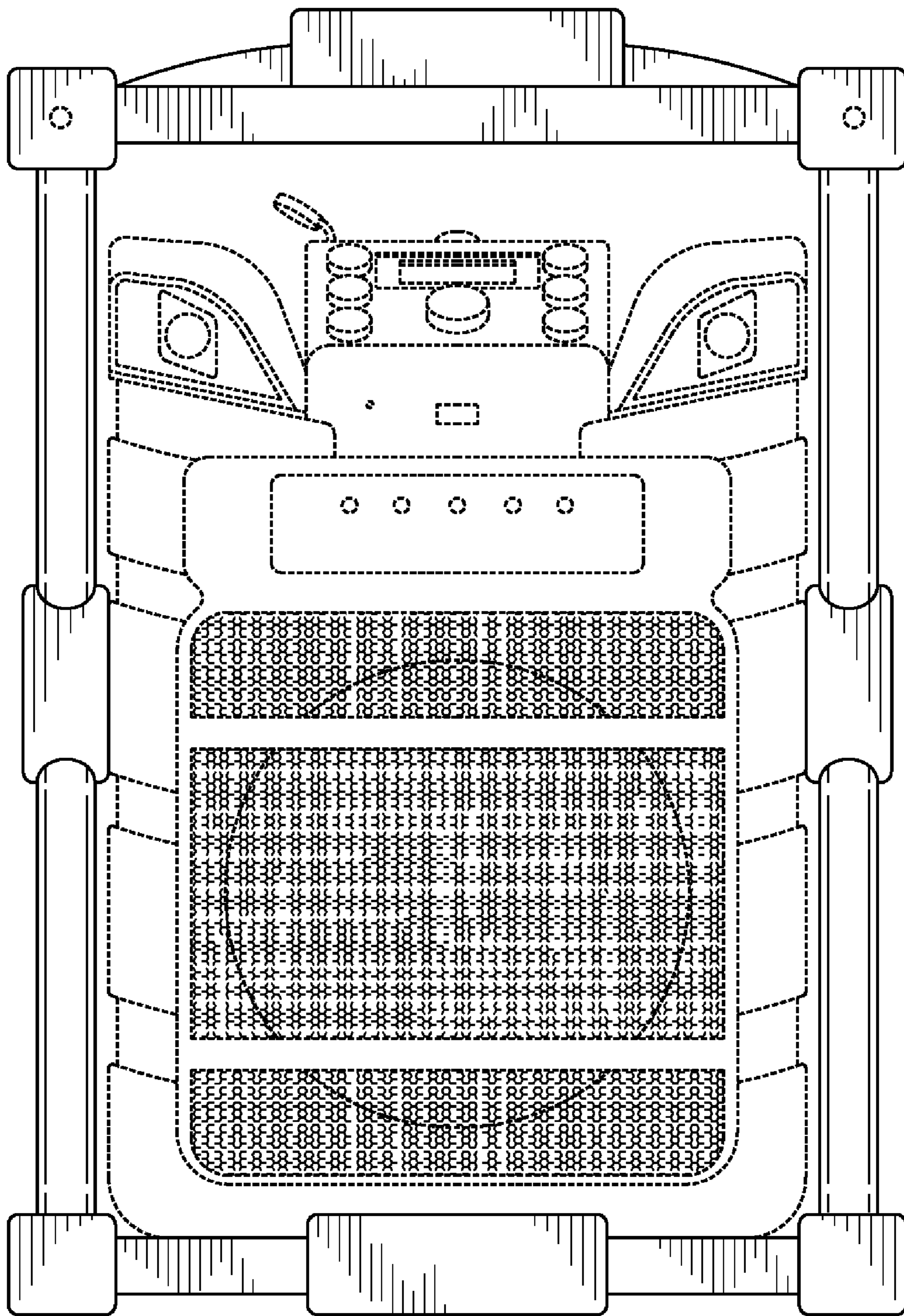


FIG. 6

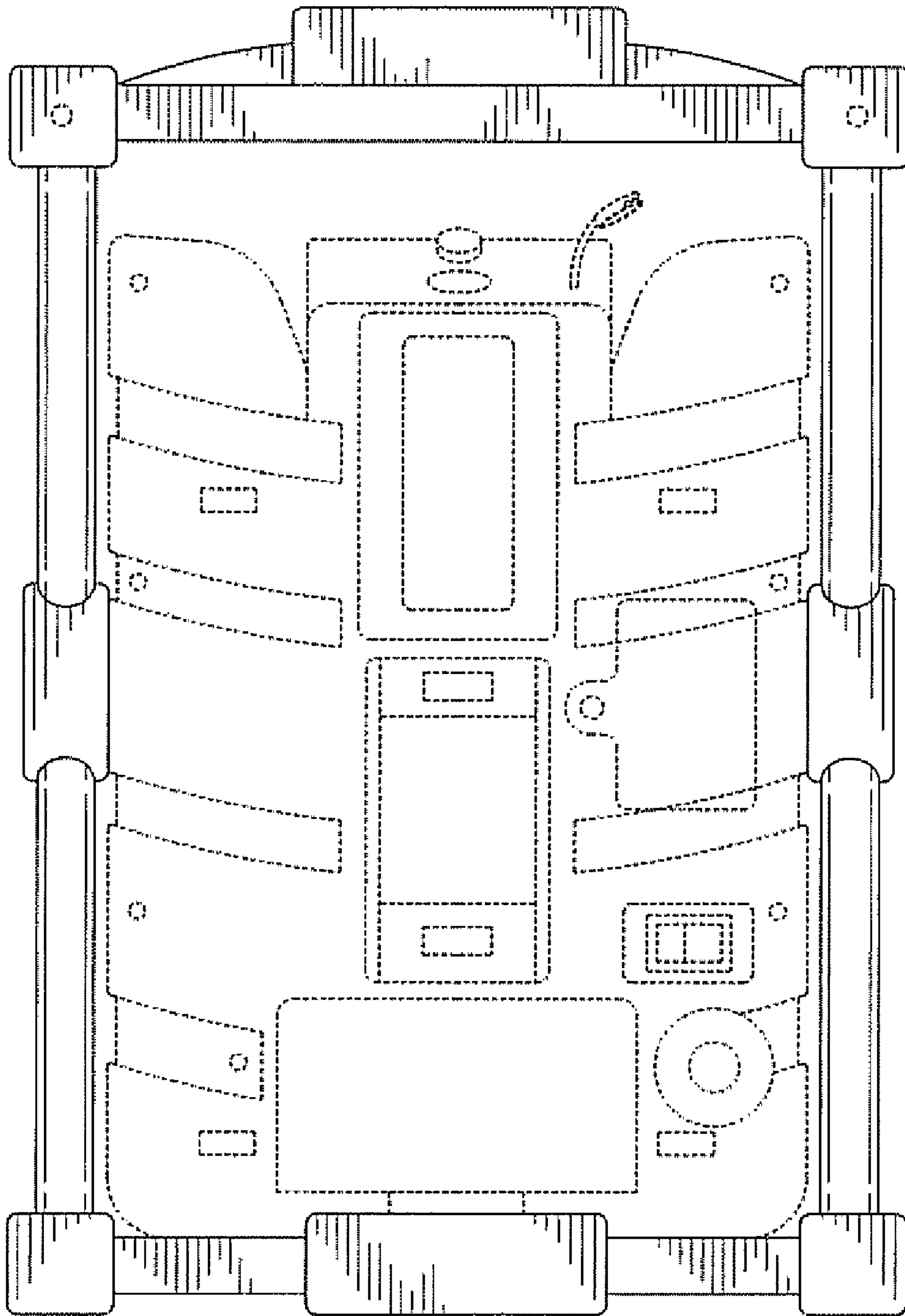


FIG. 7