



US00D587686S

(12) **United States Design Patent**  
**Lee**

(10) **Patent No.:** **US D587,686 S**  
(45) **Date of Patent:** **\*\* Mar. 3, 2009**

(54) **SPEAKER FOR DIGITAL MEDIA PLAYER**

(75) Inventor: **Jong-bae Lee**, Seoul (KR)

(73) Assignee: **Phiaton Corporation**, San Diego, CA (US)

(\*\*) Term: **14 Years**

(21) Appl. No.: **29/300,038**

(22) Filed: **Feb. 13, 2008**

(30) **Foreign Application Priority Data**

Jan. 4, 2008 (KR) ..... 30-2008-0000366

(51) **LOC (9) Cl.** ..... **14-01**

(52) **U.S. Cl.** ..... **D14/214; D14/168**

(58) **Field of Classification Search** ..... D14/204,  
D14/210-216, 168, 172, 496, 217; 181/143-144,  
181/147-148, 150-153, 157, 198-199; 381/300-303,  
381/306, 332-333, 336, 345, 361-364, 386-388;  
455/345

See application file for complete search history.

(56) **References Cited**

**U.S. PATENT DOCUMENTS**

D394,064 S \* 5/1998 Freadman ..... D14/214  
D491,167 S \* 6/2004 Yokoyama ..... D14/215

D527,722 S \* 9/2006 Yeh ..... D14/215

\* cited by examiner

*Primary Examiner*—Nanda Bondade

(74) *Attorney, Agent, or Firm*—Dickstein Shapiro LLP

(57) **CLAIM**

The ornamental design for a speaker for digital media player, as shown and described.

**DESCRIPTION**

FIG. 1 is a perspective view of a speaker for digital media player of the claimed design.

FIG. 2 is a front elevation view of the speaker for digital media player of FIG. 1.

FIG. 3 is a rear elevation view of the speaker for digital media player of FIG. 1.

FIG. 4 is a left side elevation view of the speaker for digital media player of FIG. 1.

FIG. 5 is a right side elevation view of the speaker for digital media player of FIG. 1.

FIG. 6 is a top plan view of the speaker for digital media player of FIG. 1; and,

FIG. 7 is a bottom plan view of the speaker for digital media player of FIG. 1.

**1 Claim, 4 Drawing Sheets**

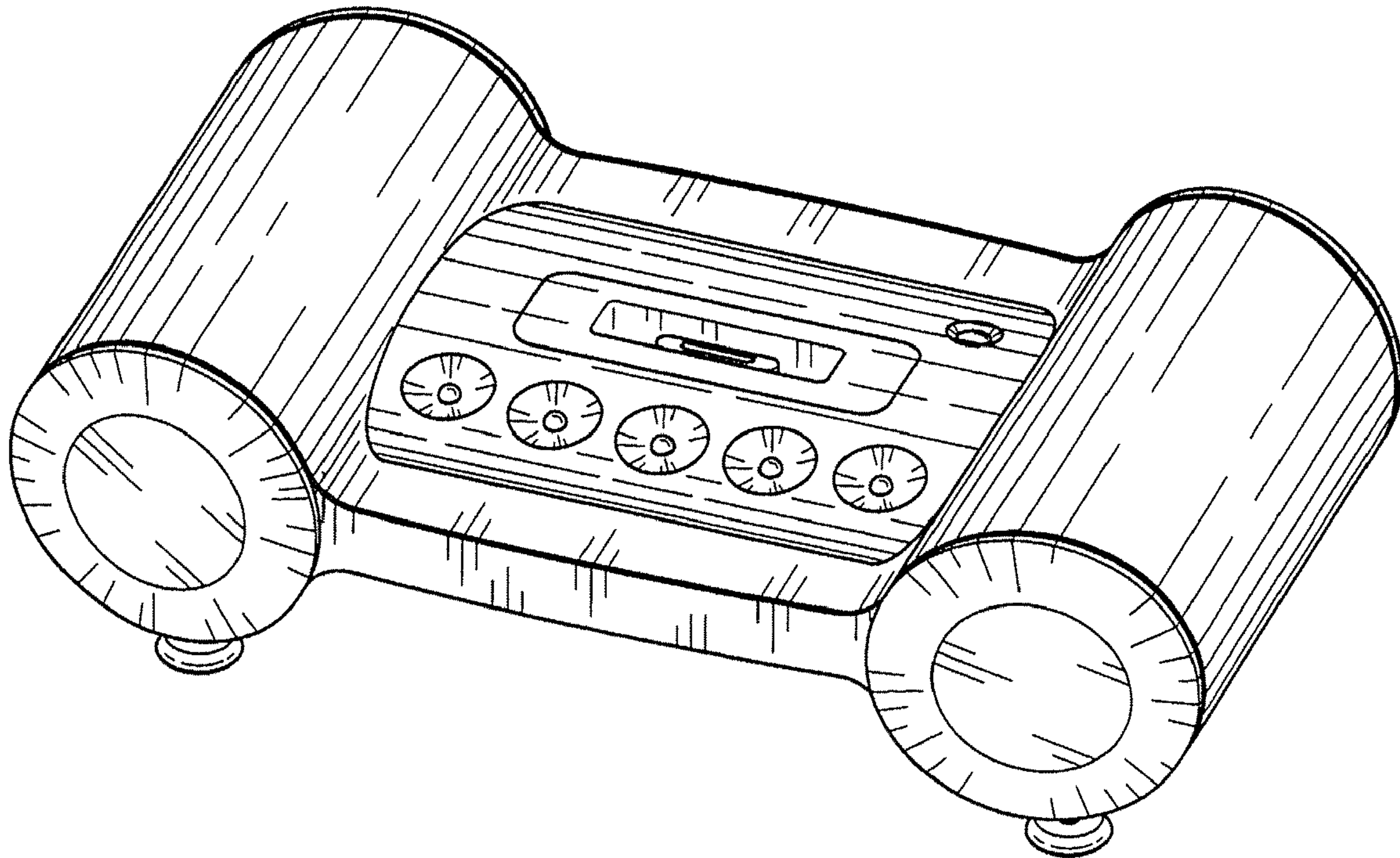


Fig. 1

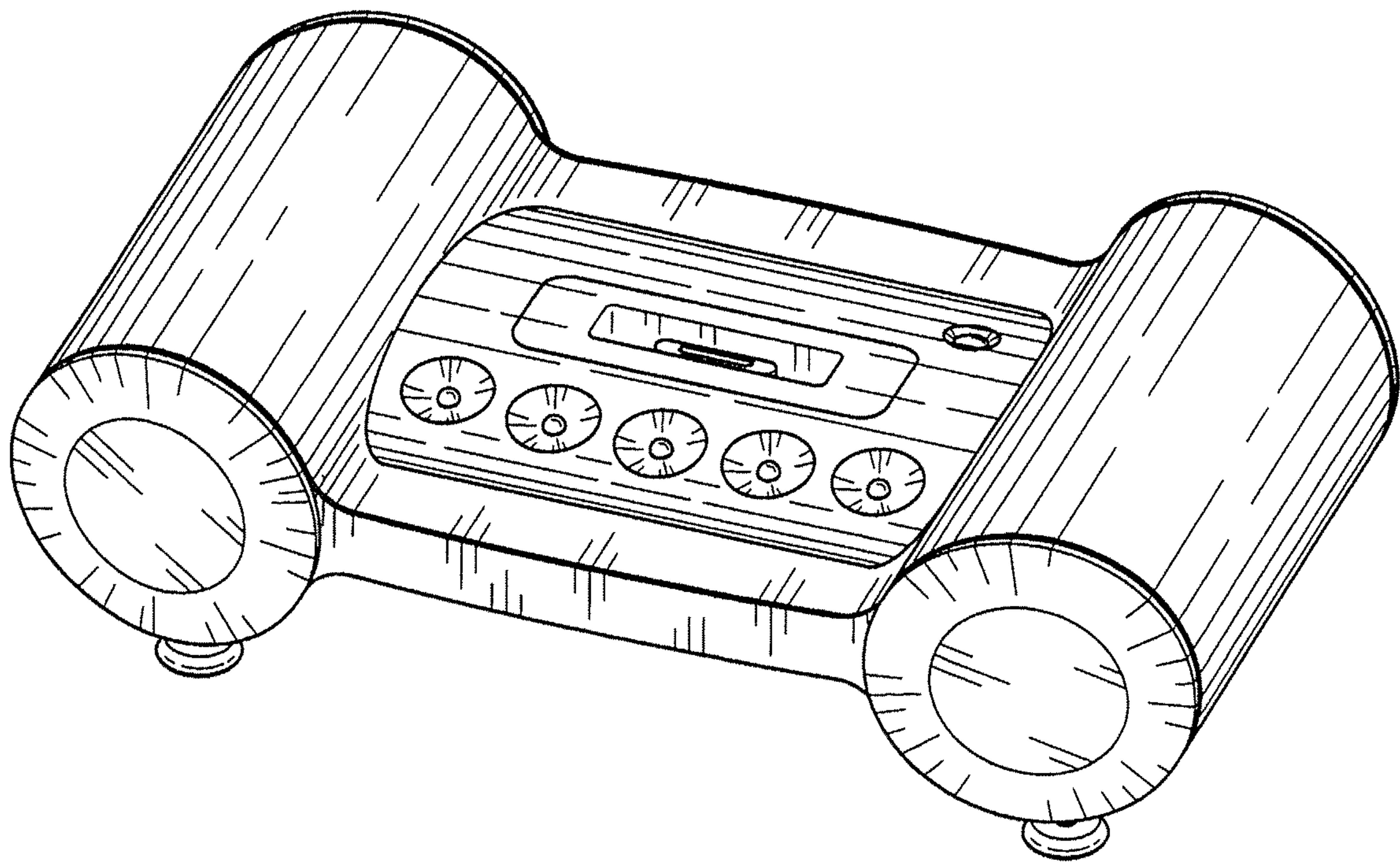


Fig. 2

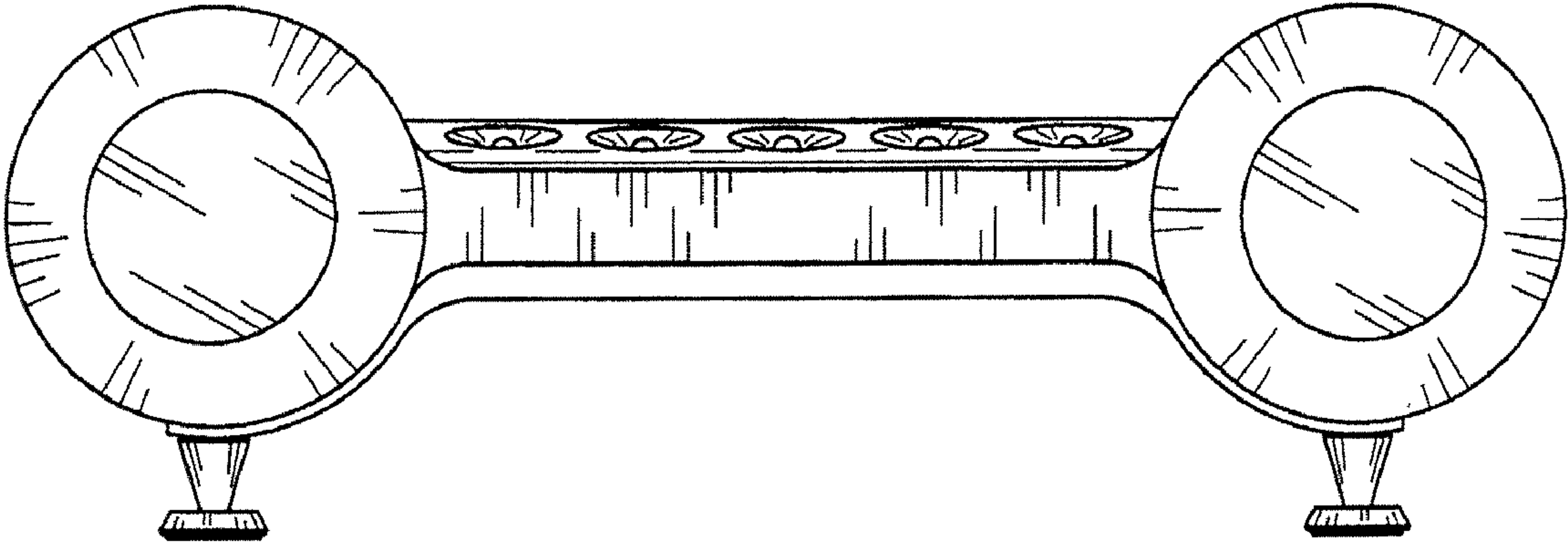


Fig. 3

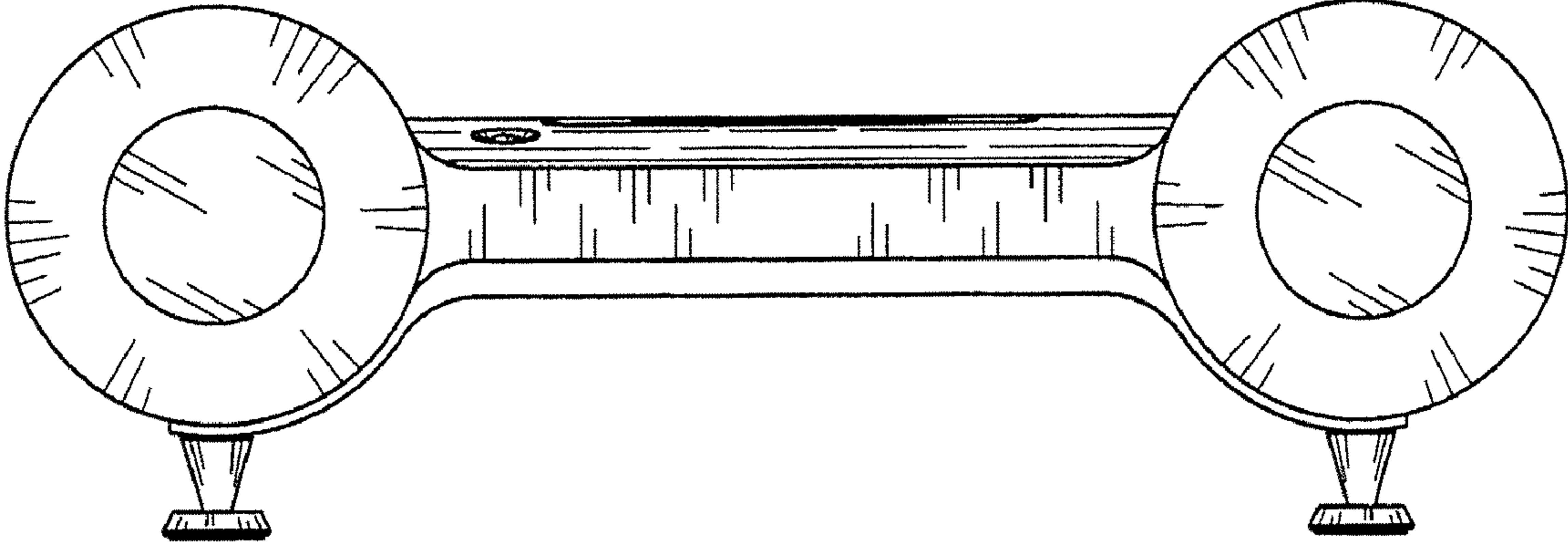




Fig. 4

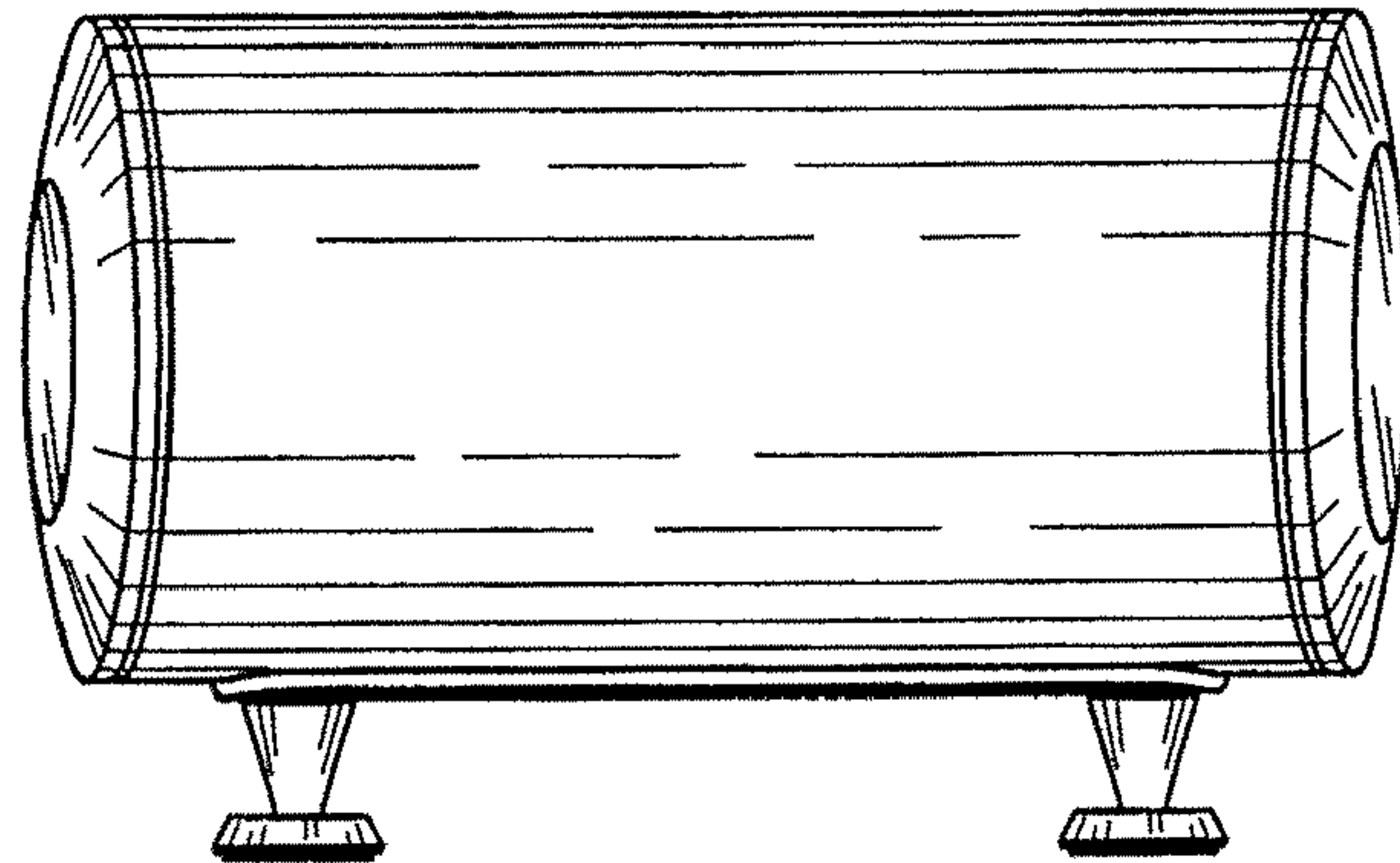


Fig. 5

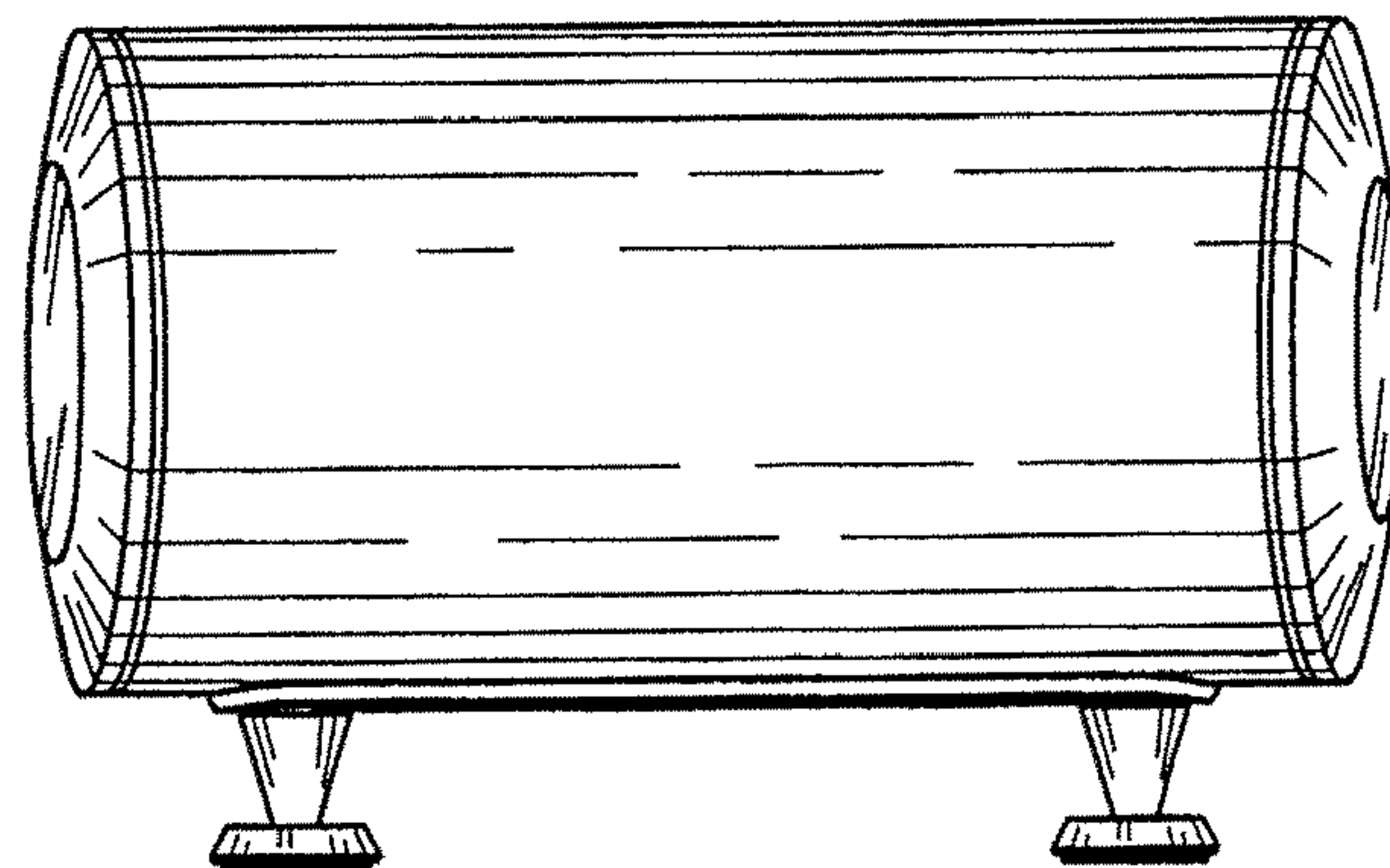


Fig. 6

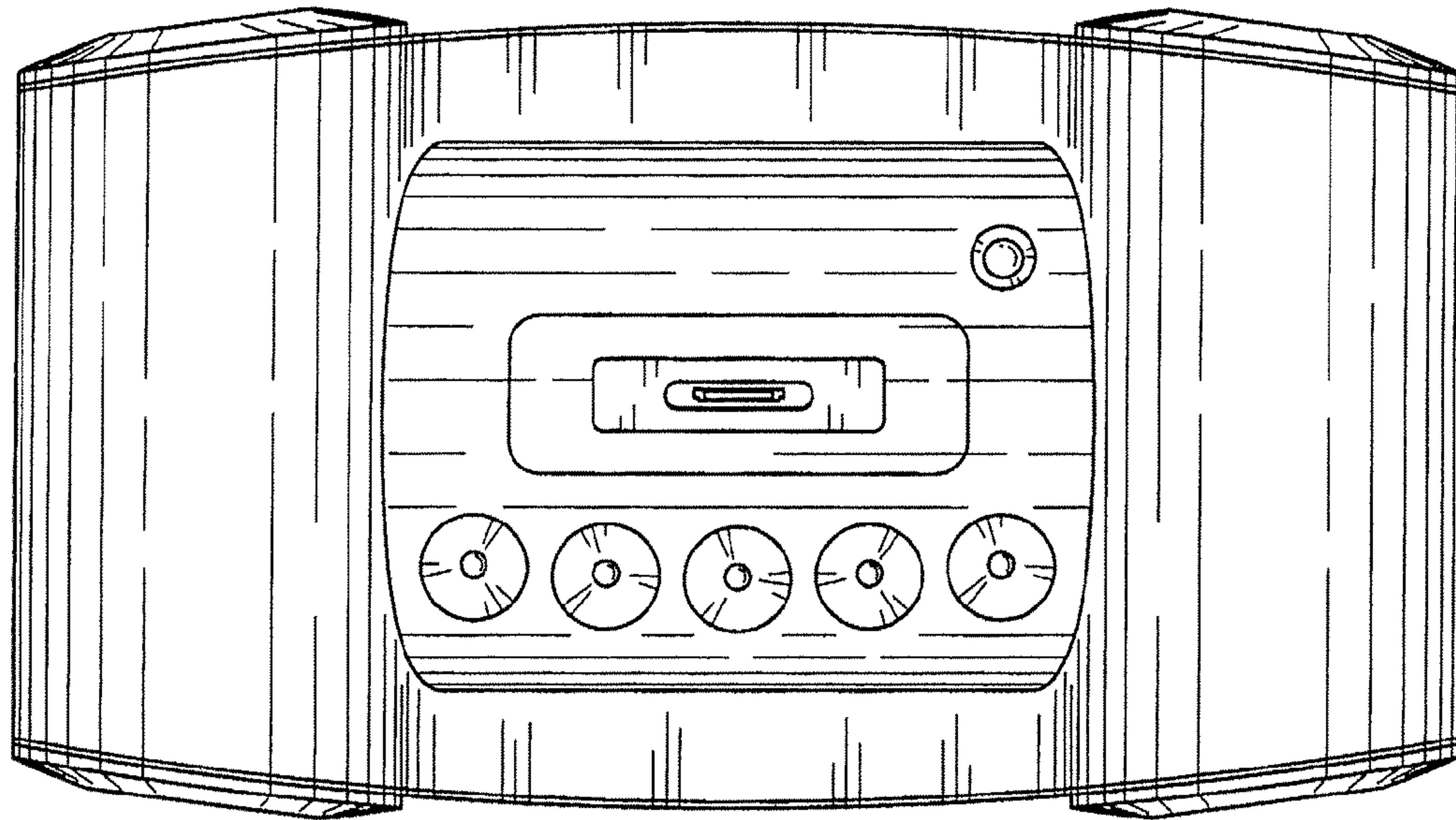


Fig. 7

