



US00D587685S

(12) **United States Design Patent**
Densho

(10) **Patent No.:** **US D587,685 S**
(45) **Date of Patent:** **** Mar. 3, 2009**

(54) **EARPHONE**

(75) Inventor: **Keiko Densho**, Tokyo (JP)

(73) Assignee: **Sony Corporation**, Tokyo (JP)

(**) Term: **14 Years**

(21) Appl. No.: **29/300,248**

(22) Filed: **Mar. 5, 2008**

(30) **Foreign Application Priority Data**

Sep. 11, 2007 (JP) D2007-024736

(51) **LOC (9) Cl.** **14-01**

(52) **U.S. Cl.** **D14/206**

(58) **Field of Classification Search** D14/205,
D14/206, 223; D24/174; 379/430; 181/129,
181/130; 381/322, 324, 380, 370; 128/865
See application file for complete search history.

(56) **References Cited**

U.S. PATENT DOCUMENTS

5,363,444	A	*	11/1994	Norris	379/430
D431,553	S		10/2000	Suzuki		
D474,171	S		5/2003	Suzuki		
D485,548	S		1/2004	Obata		
D487,077	S		2/2004	Obata		
D519,107	S	*	4/2006	Yang	D14/223
D529,901	S	*	10/2006	Ohta	D14/223
D539,268	S	*	3/2007	Suzuki	D14/206
D542,782	S	*	5/2007	Pena Angarita	D14/223

D550,657	S	*	9/2007	Gan et al.	D14/223
D554,627	S	*	11/2007	Gondo	D14/223
D555,152	S	*	11/2007	Wang	D14/223
D557,689	S	*	12/2007	Huang	D14/223
D558,735	S	*	1/2008	Carr et al.	D14/206
D564,495	S	*	3/2008	Sasaki	D14/205
D573,978	S	*	7/2008	Ledbetter et al.	D14/205
D574,361	S	*	8/2008	Sasaki	D14/205

* cited by examiner

Primary Examiner—Paula Greene

(74) *Attorney, Agent, or Firm*—Rader, Fishman & Grauer, PLLC

(57) **CLAIM**

The ornamental design or an earphone, as shown and described.

DESCRIPTION

FIG. 1 is a perspective view of an earphone showing my new design;

FIG. 2 is a front elevational view thereof;

FIG. 3 is a rear elevational view thereof;

FIG. 4 is a left side elevational view thereof;

FIG. 5 is a right side elevational view thereof;

FIG. 6 is a top plan view thereof; and,

FIG. 7 is a bottom plan view thereof.

The portions indicated in broken lines are for illustrative purposes only and form no part of the claimed design.

1 Claim, 7 Drawing Sheets

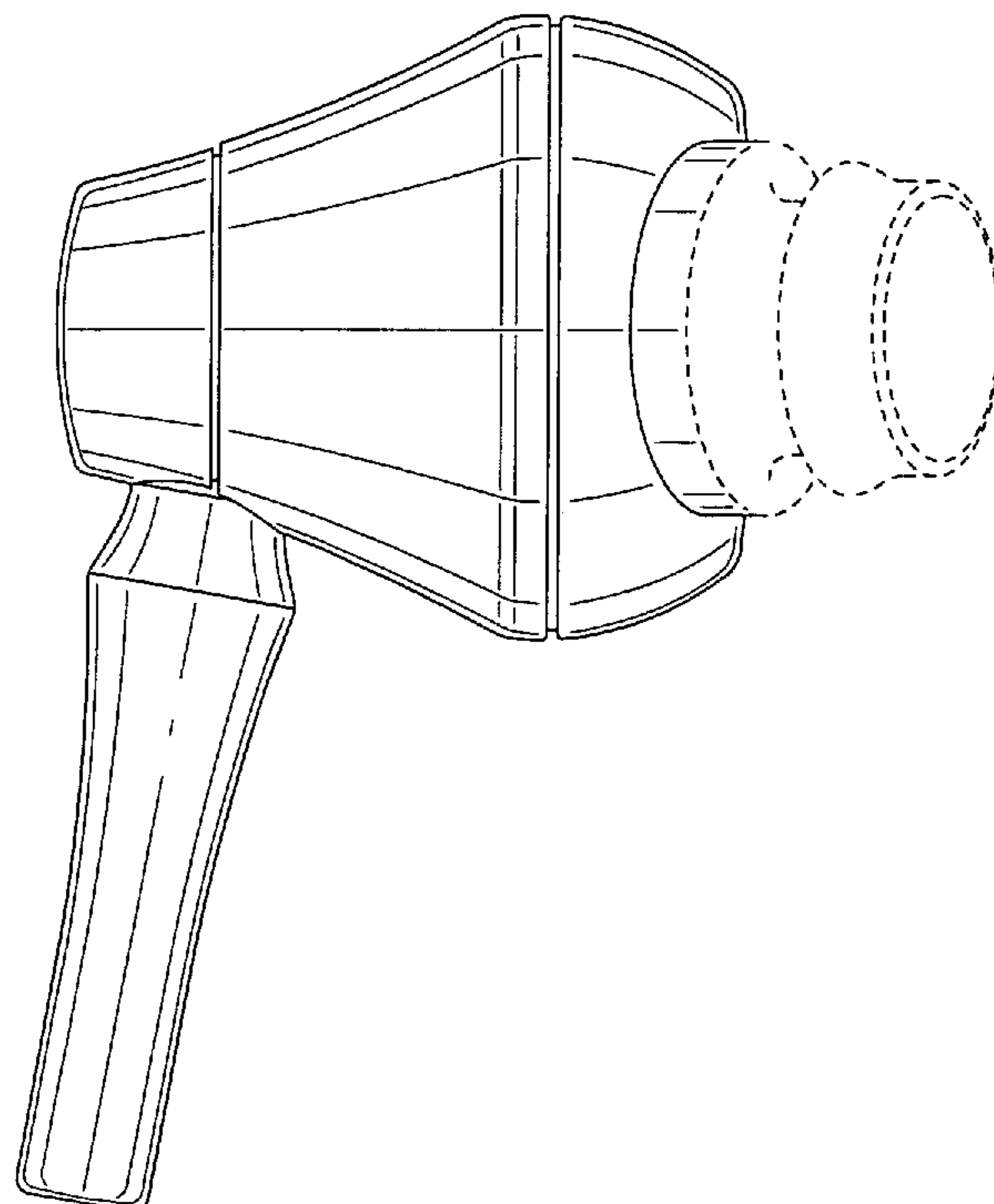
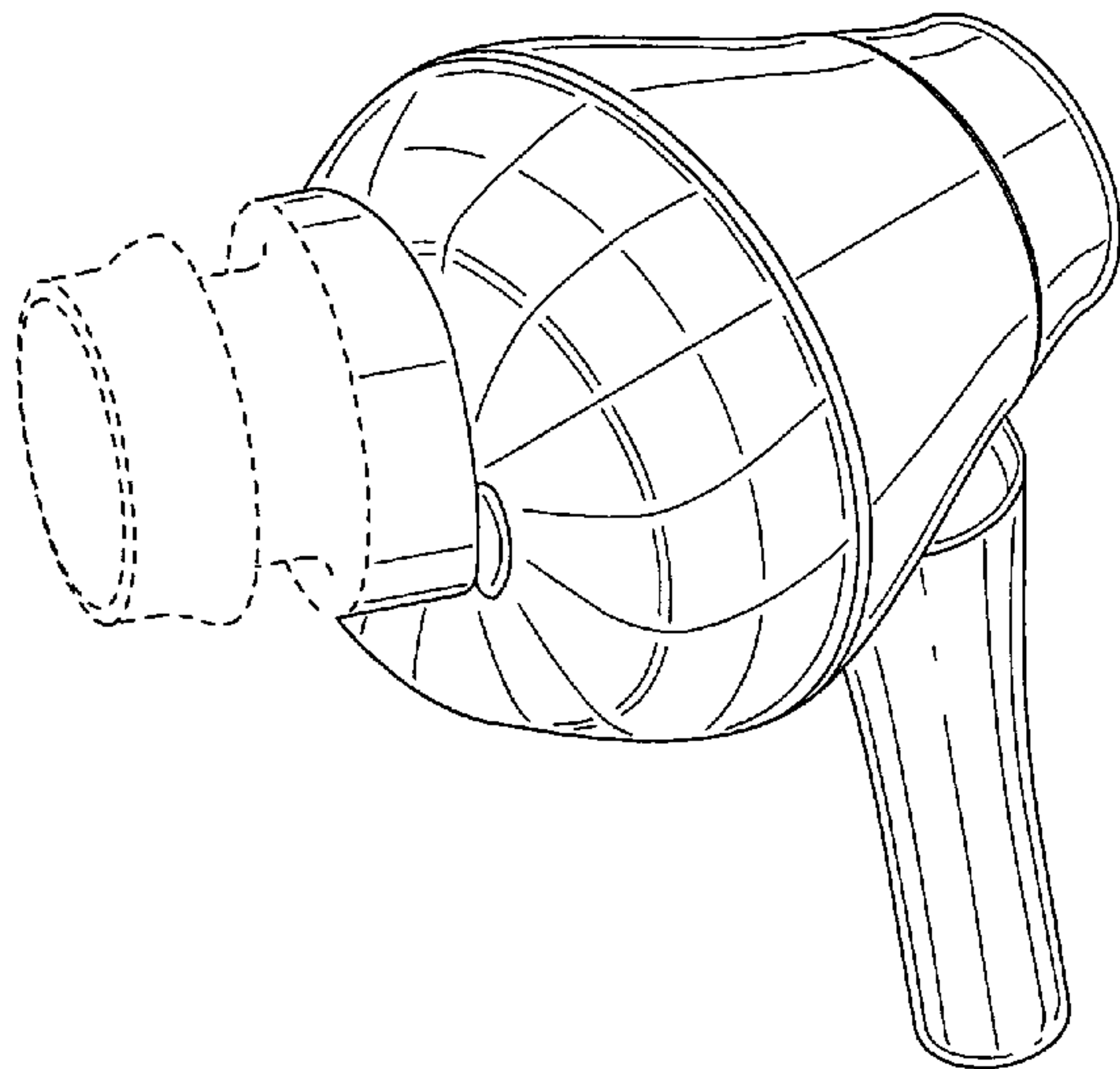


FIG.1

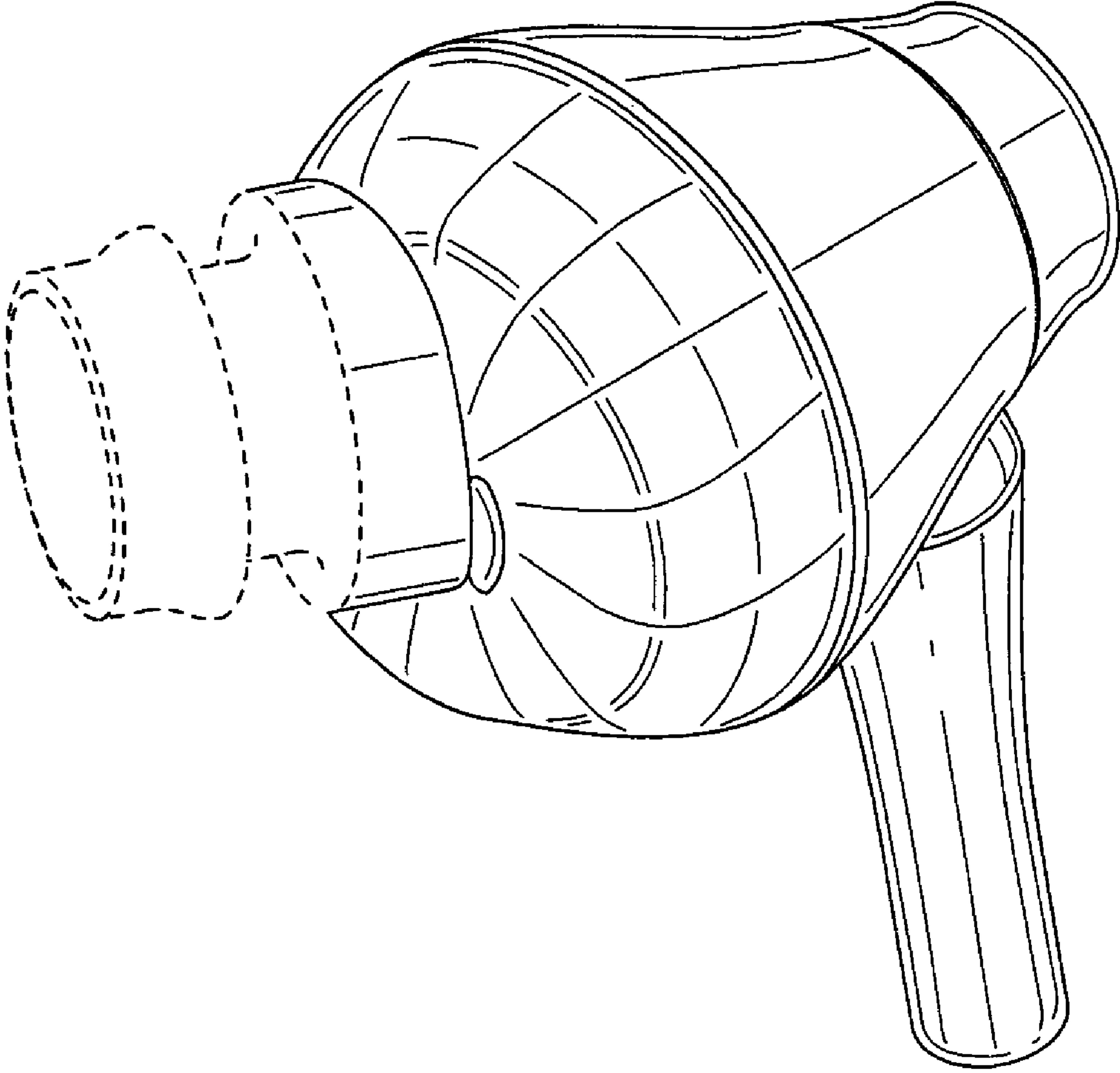


FIG.2

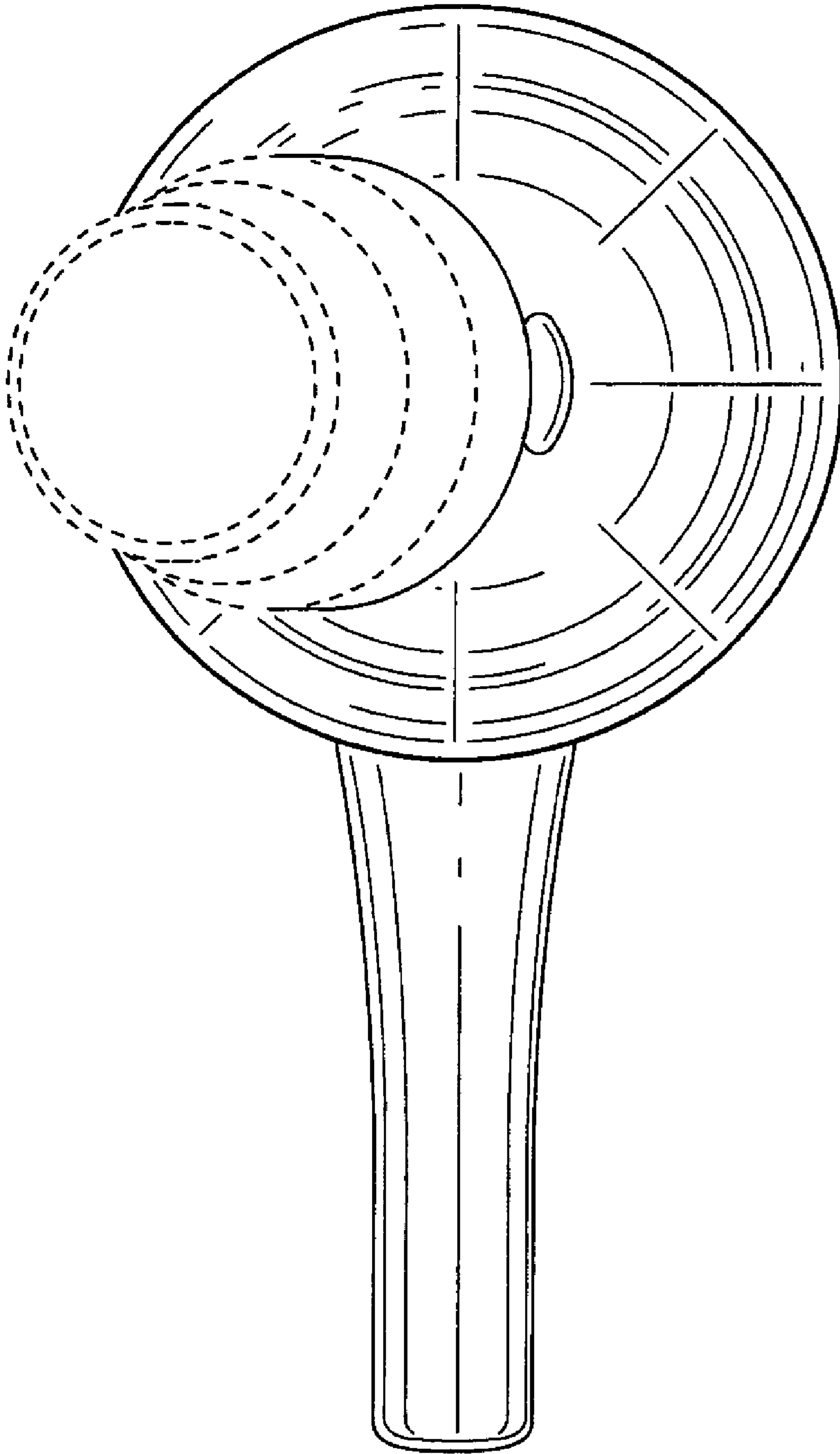


FIG.3

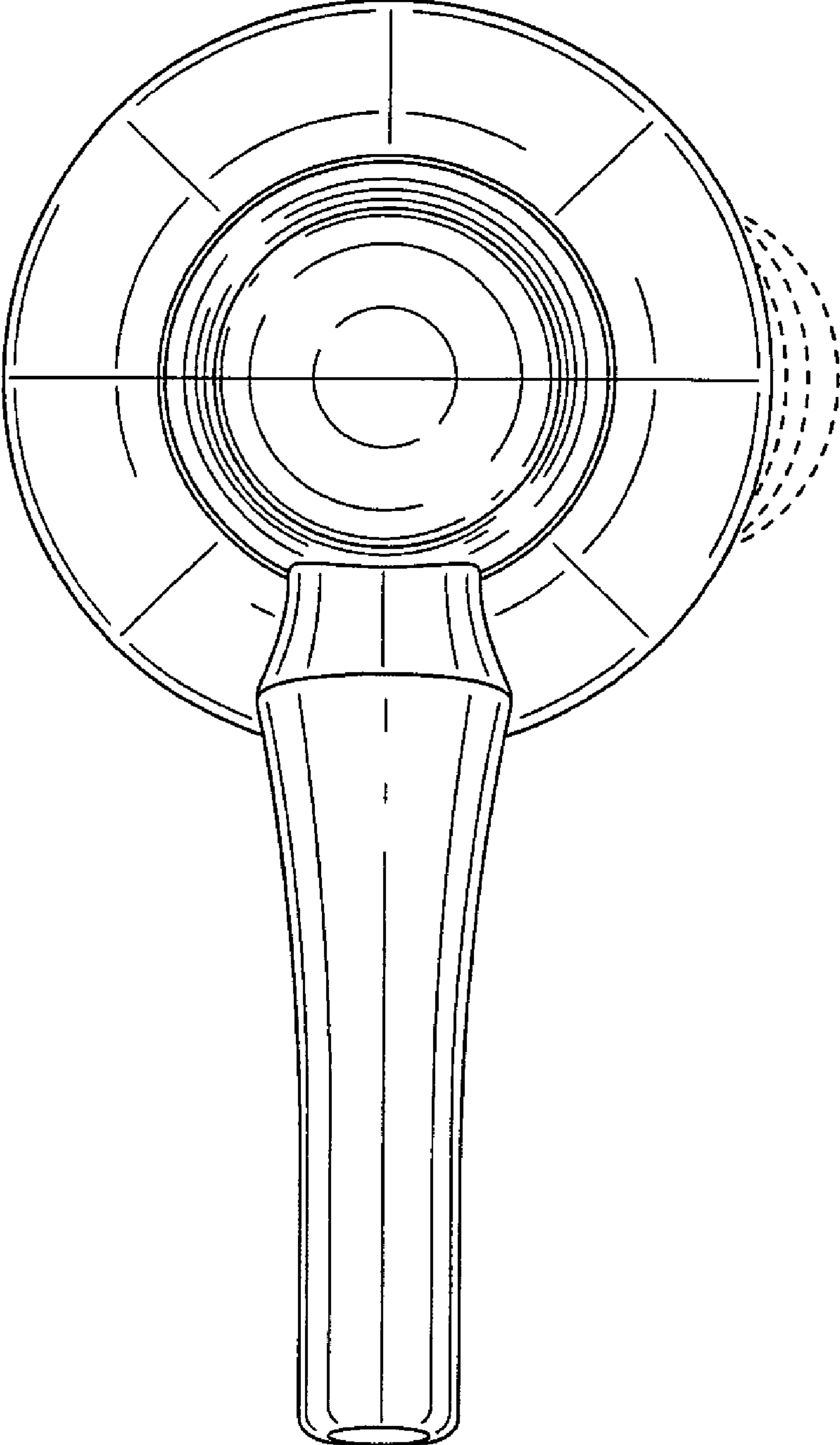


FIG.4

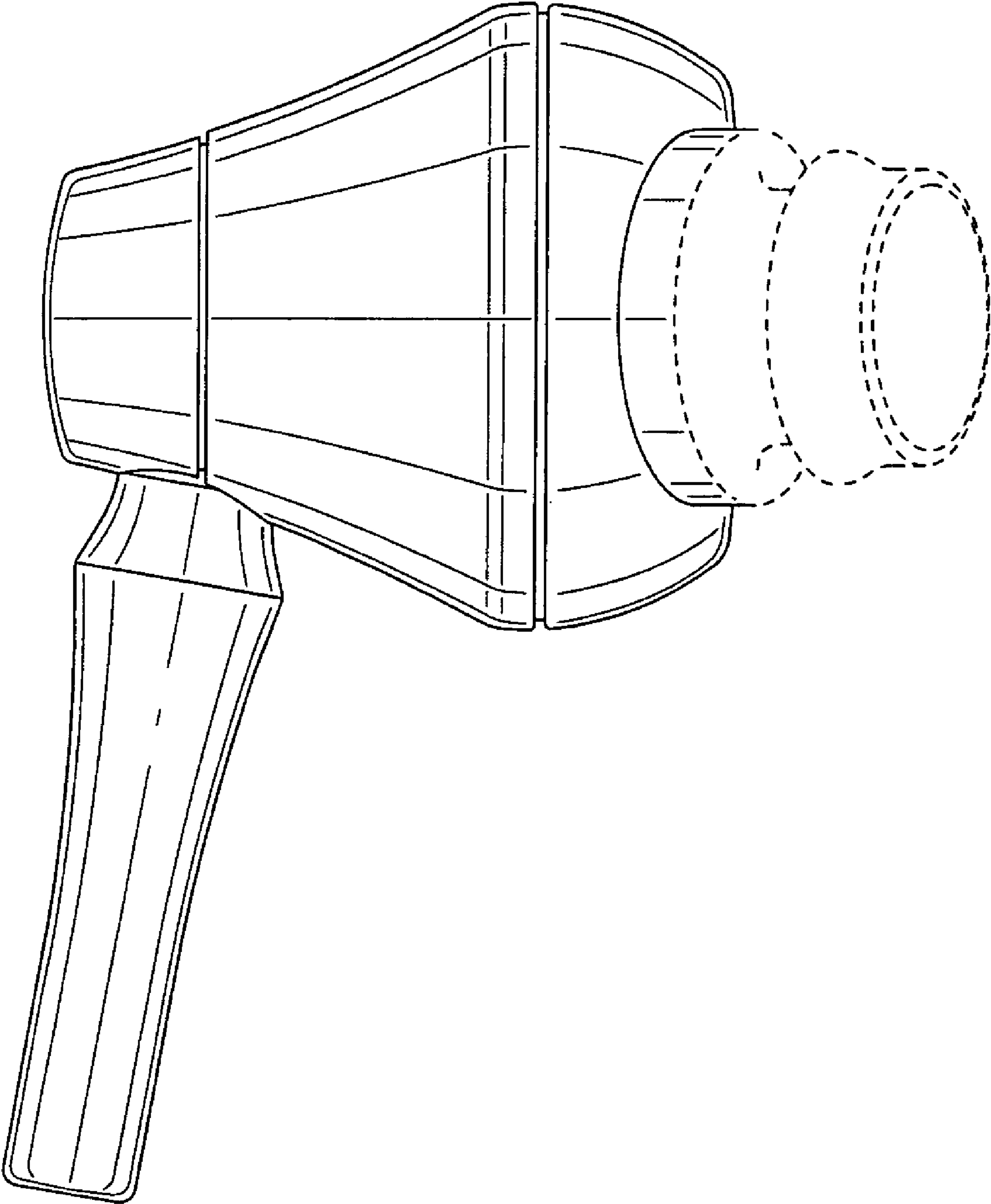


FIG.5

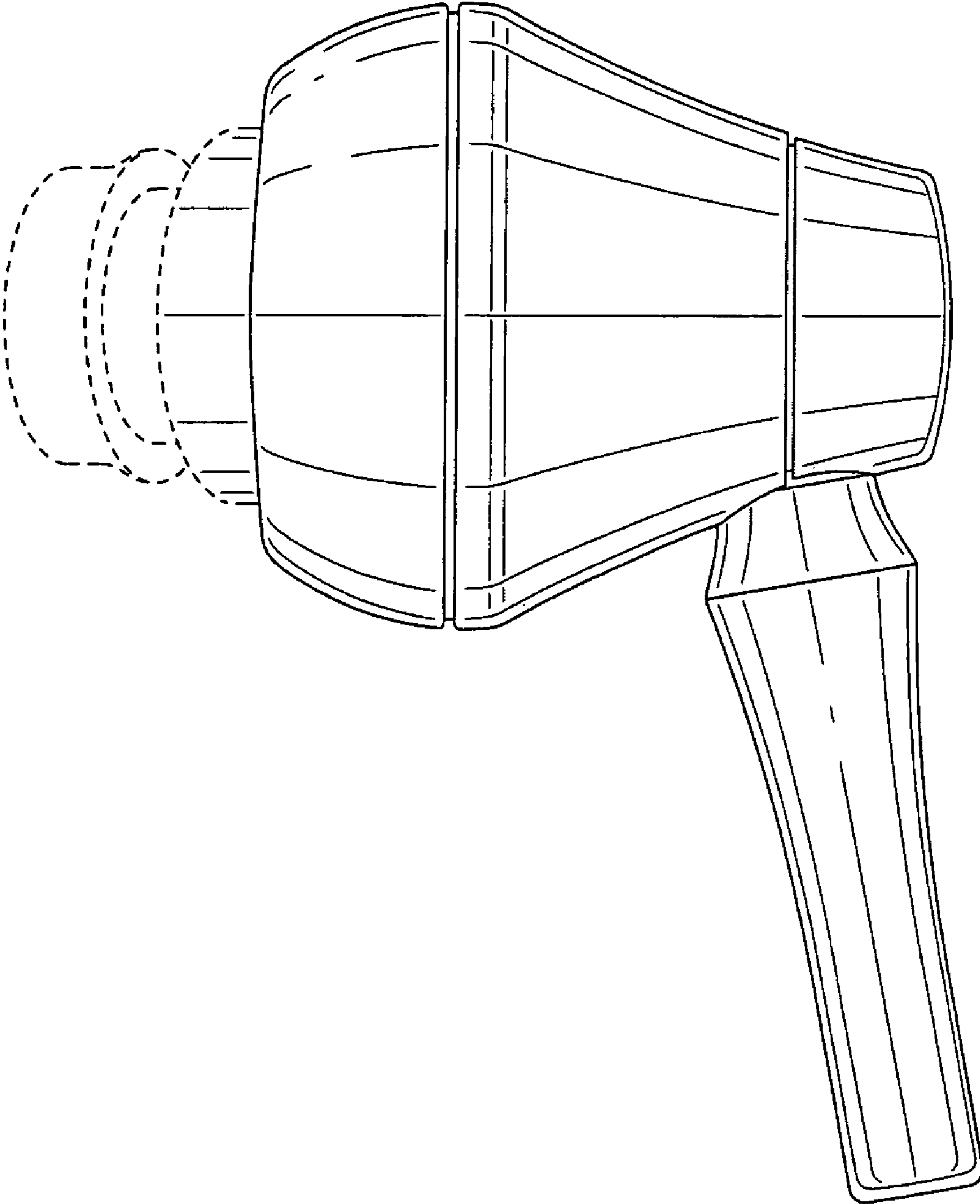


FIG.6

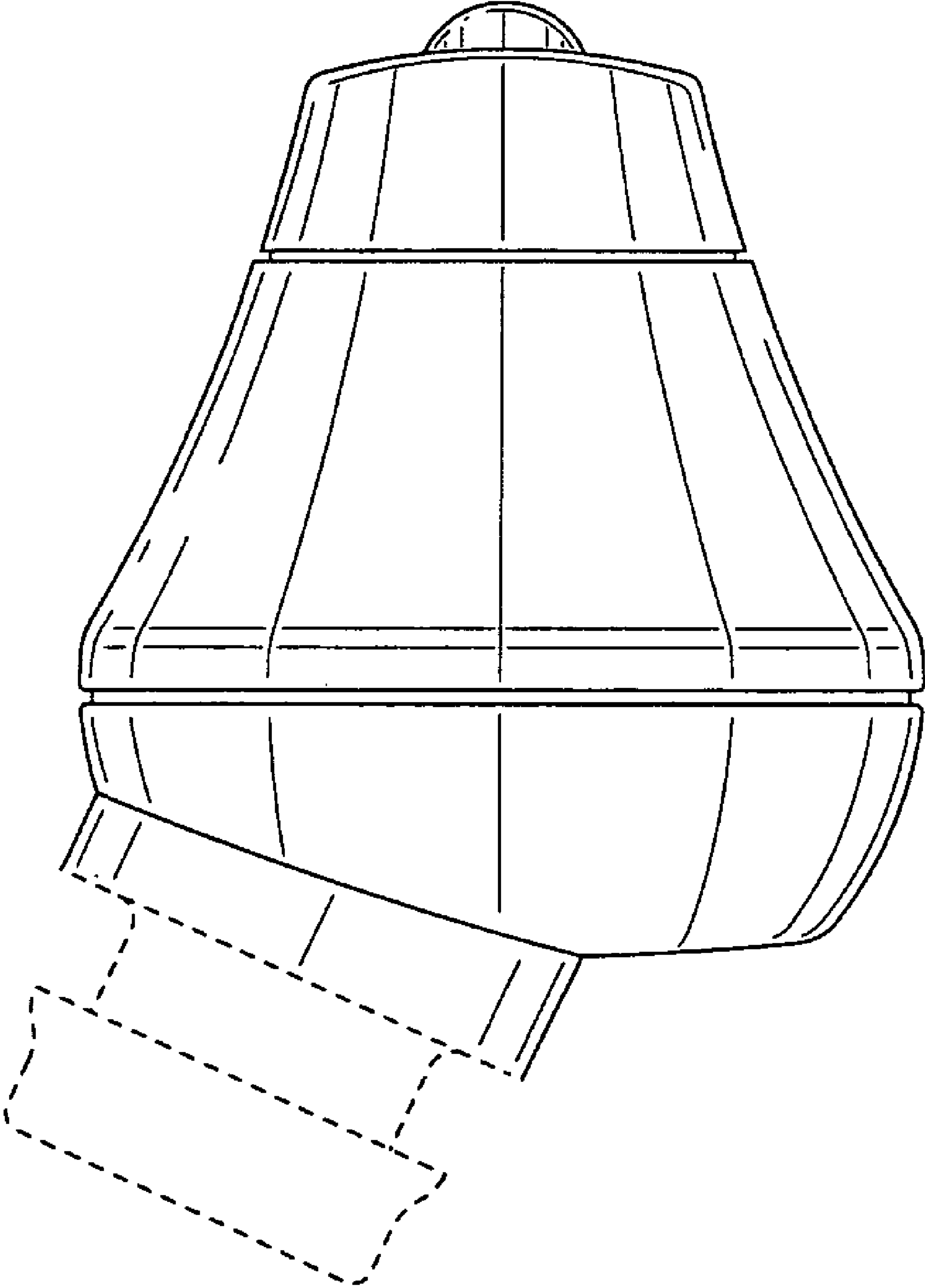


FIG.7

