



US00D587684S

(12) **United States Design Patent**  
**Ham et al.**

(10) **Patent No.:** **US D587,684 S**  
(45) **Date of Patent:** **\*\* Mar. 3, 2009**

(54) **COMMUNICATIONS HEADSET**

(75) Inventors: **Soohyun Ham**, San Francisco, CA (US);  
**Youenn Colin, Sr.**, San Francisco, CA  
(US); **Derek Loh**, Foster City, CA (US);  
**James Tsai**, San Francisco, CA (US);  
**Jonah Becker**, San Francisco, CA (US)

(73) Assignee: **Plantronics, Inc.**, Santa Cruz, CA (US)

(\*\*) Term: **14 Years**

(21) Appl. No.: **29/305,891**

(22) Filed: **Mar. 28, 2008**

(51) **LOC (9) Cl.** ..... **14-01**

(52) **U.S. Cl.** ..... **D14/205**

(58) **Field of Classification Search** ..... D14/205,  
D14/206, 223, 188, 192; 181/129, 130; 379/430,  
379/433; 381/380, 381, 371, 375, 378, 379,  
381/376, 74; D29/112; 2/209; D21/324  
See application file for complete search history.

(56) **References Cited**

**U.S. PATENT DOCUMENTS**

3,445,597	A *	5/1969	Walters	379/430
D270,634	S *	9/1983	Ungar	D14/205
4,420,657	A *	12/1983	Larkin	379/430
4,588,868	A *	5/1986	Bertagna et al.	381/382
4,882,745	A *	11/1989	Silver	455/575.2
5,033,094	A *	7/1991	Hung	381/379
D337,116	S *	7/1993	Hattori	D14/206
5,369,857	A *	12/1994	Sacherman et al.	29/594
D365,559	S *	12/1995	Fathi	D14/142
5,504,812	A *	4/1996	Vangarde	379/430
D404,734	S *	1/1999	Andrea	D14/206
D410,921	S *	6/1999	Luchs et al.	D14/142

6,154,539	A *	11/2000	Pitel	379/430
D436,348	S *	1/2001	McGugan	D14/142
D448,751	S *	10/2001	Pham et al.	D14/206
D458,247	S *	6/2002	Davies et al.	D14/206
6,622,029	B1 *	9/2003	Skulley et al.	455/575.2
D482,019	S *	11/2003	Petersen et al.	D14/206
D488,146	S *	4/2004	Minto	D14/206
D514,086	S *	1/2006	Skulley	D14/206
D517,528	S *	3/2006	Skulley	D14/206
D531,165	S *	10/2006	Rath	D14/206
D535,286	S *	1/2007	Brennwald	D14/206
D538,785	S *	3/2007	Skulley	D14/206
D540,778	S *	4/2007	Thompson et al.	D14/206

\* cited by examiner

*Primary Examiner*—Paula Greene

(74) *Attorney, Agent, or Firm*—Michael D. Rodriguez

(57) **CLAIM**

The ornamental design for a communications headset, as shown and described.

**DESCRIPTION**

FIG. 1 is front-top-right perspective view of a communications headset showing our new design;

FIG. 2 is a front view thereof;

FIG. 3 is a back view thereof;

FIG. 4 is a left side view thereof;

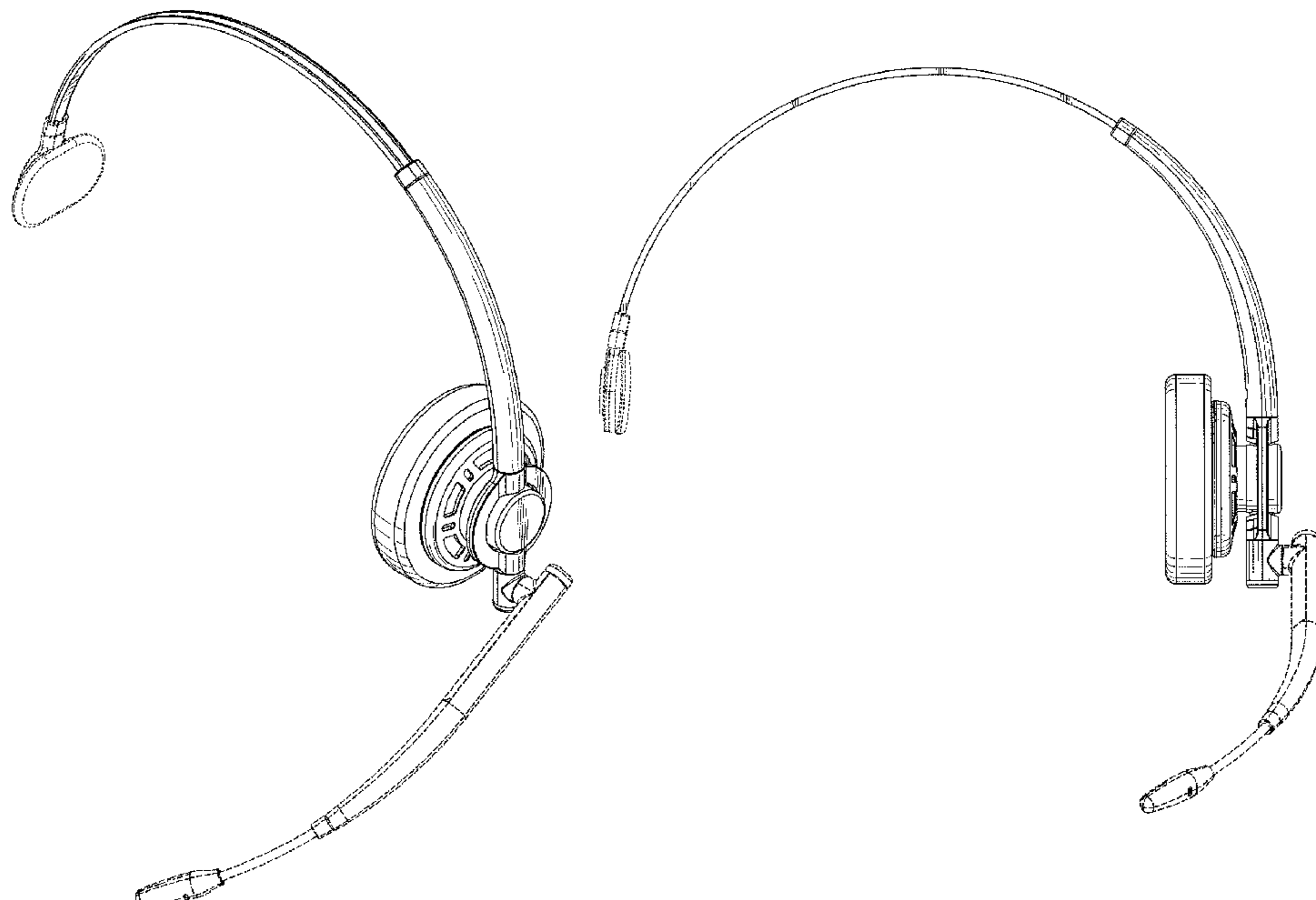
FIG. 5 is a right side view thereof;

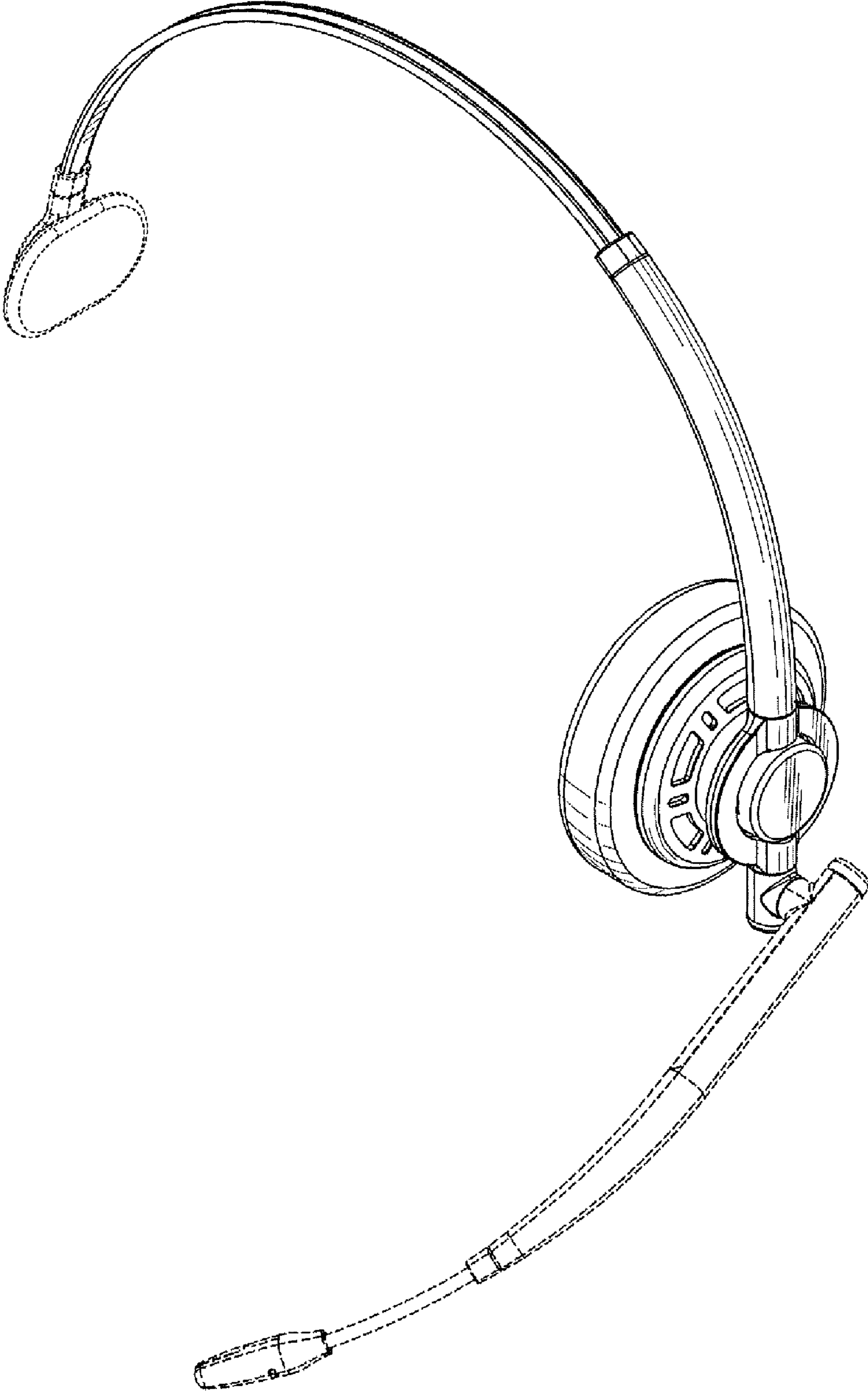
FIG. 6 is a top view thereof; and,

FIG. 7 is a bottom view thereof.

The broken lines showing of the unclaimed environment forms no part of the claimed design.

**1 Claim, 5 Drawing Sheets**





**FIG. 1**

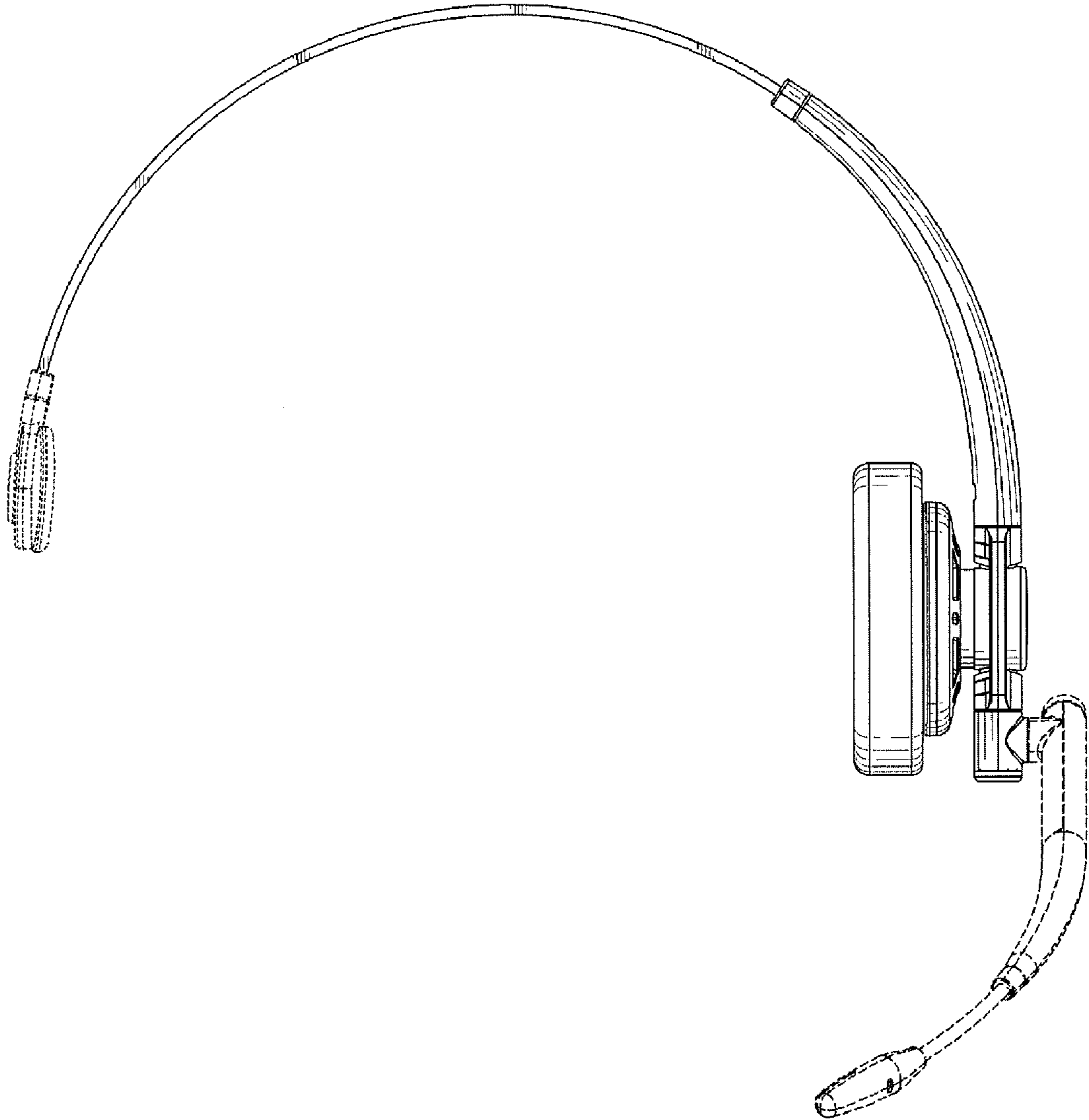
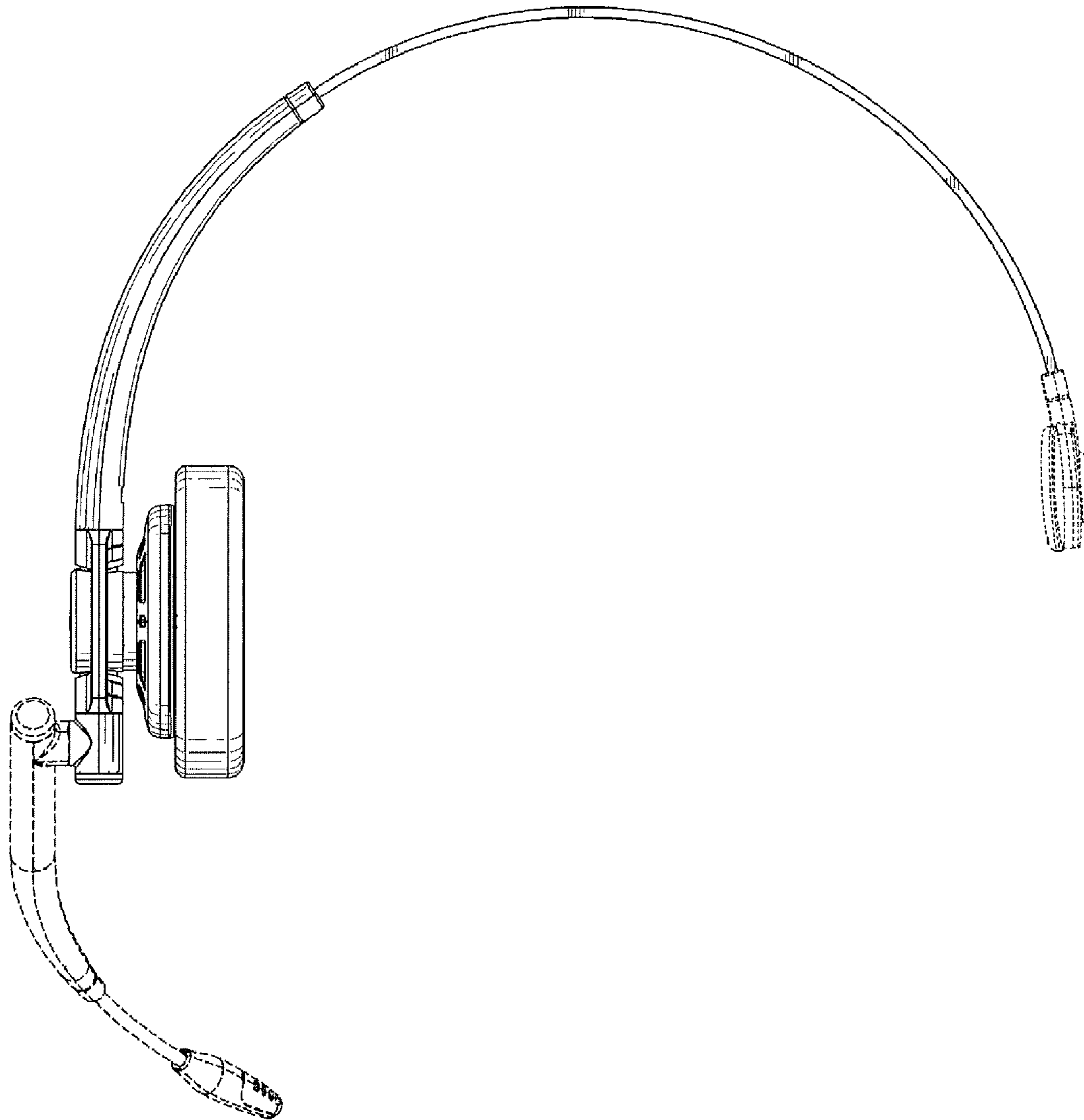
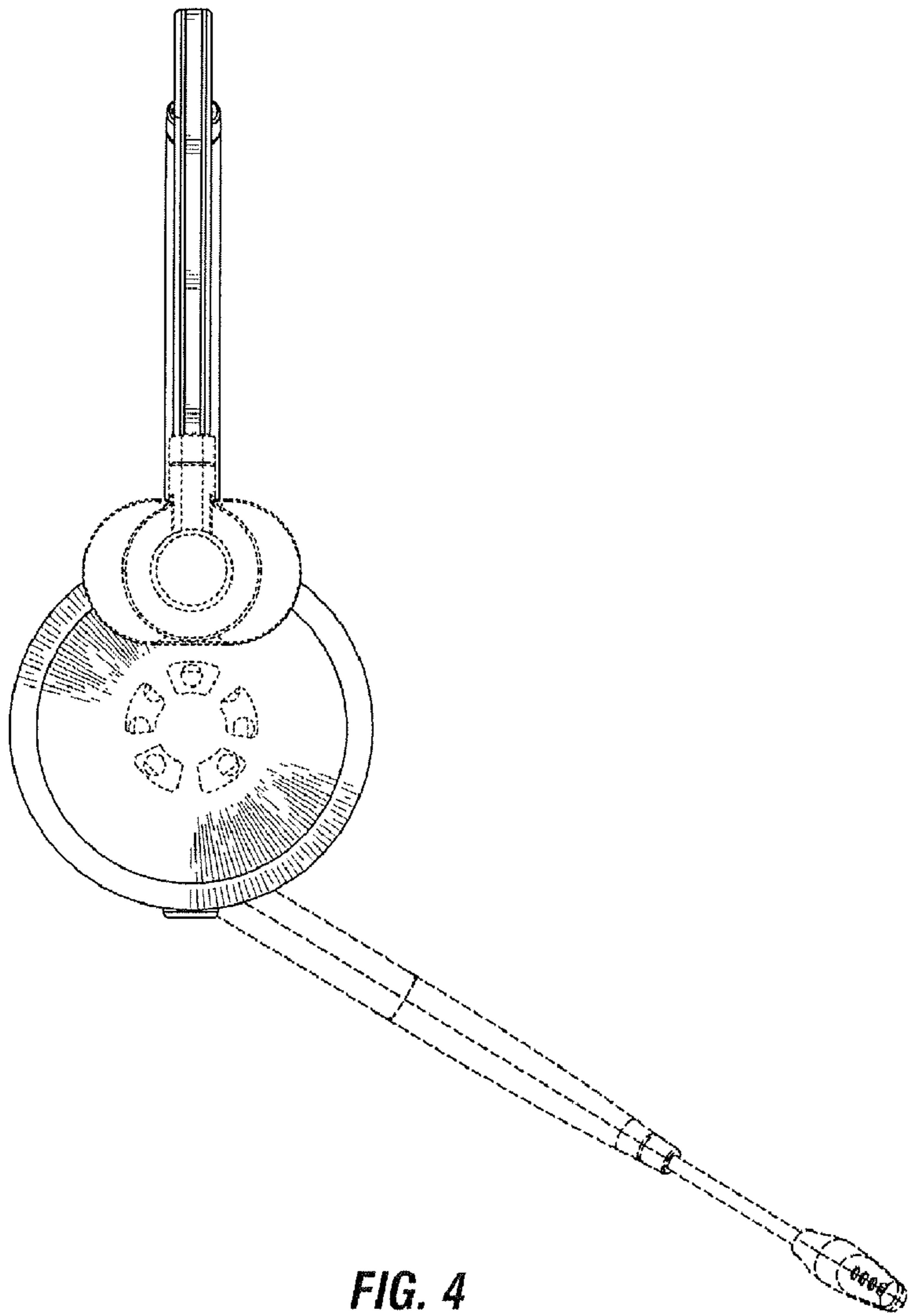


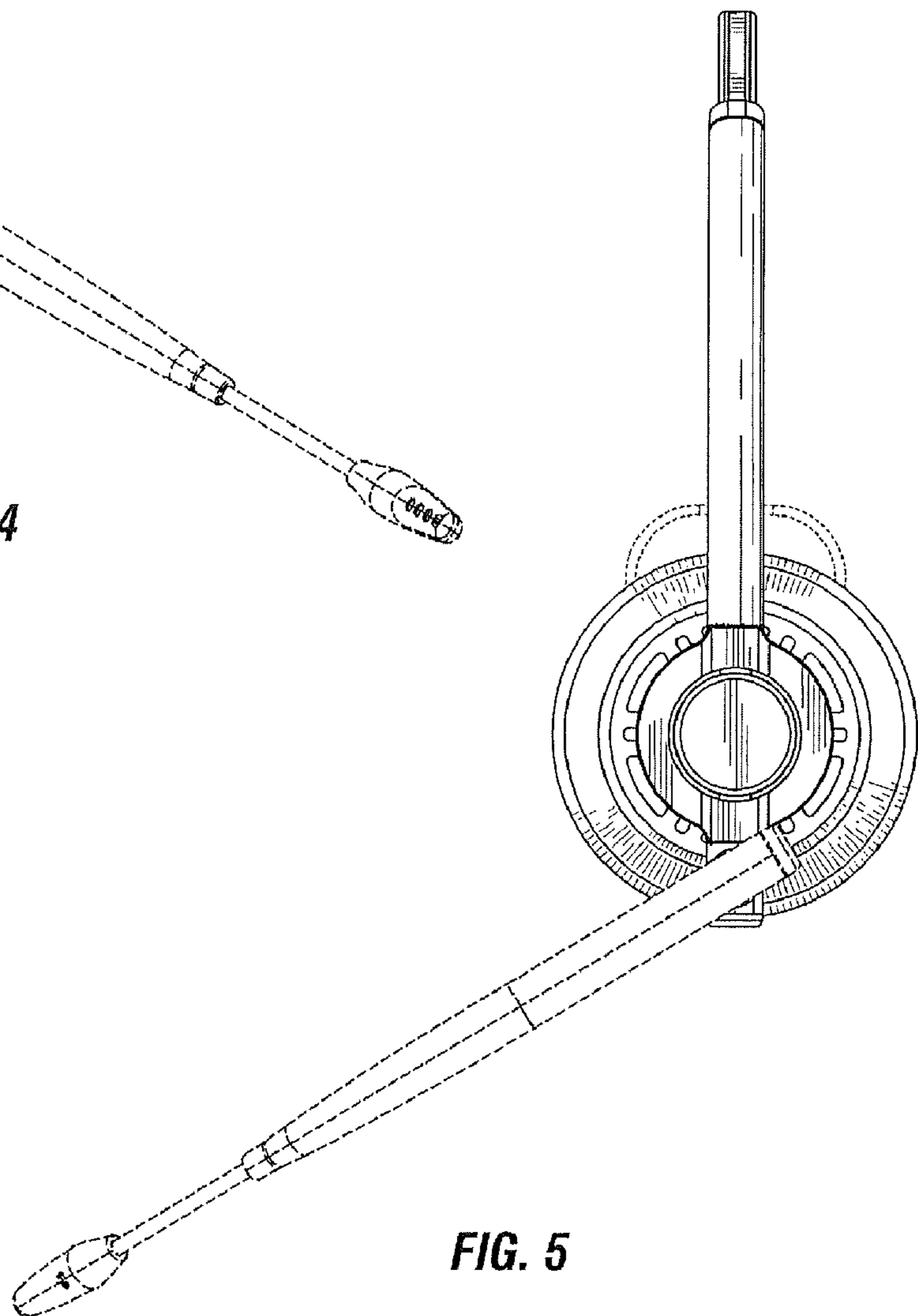
FIG. 2



**FIG. 3**



**FIG. 4**



**FIG. 5**



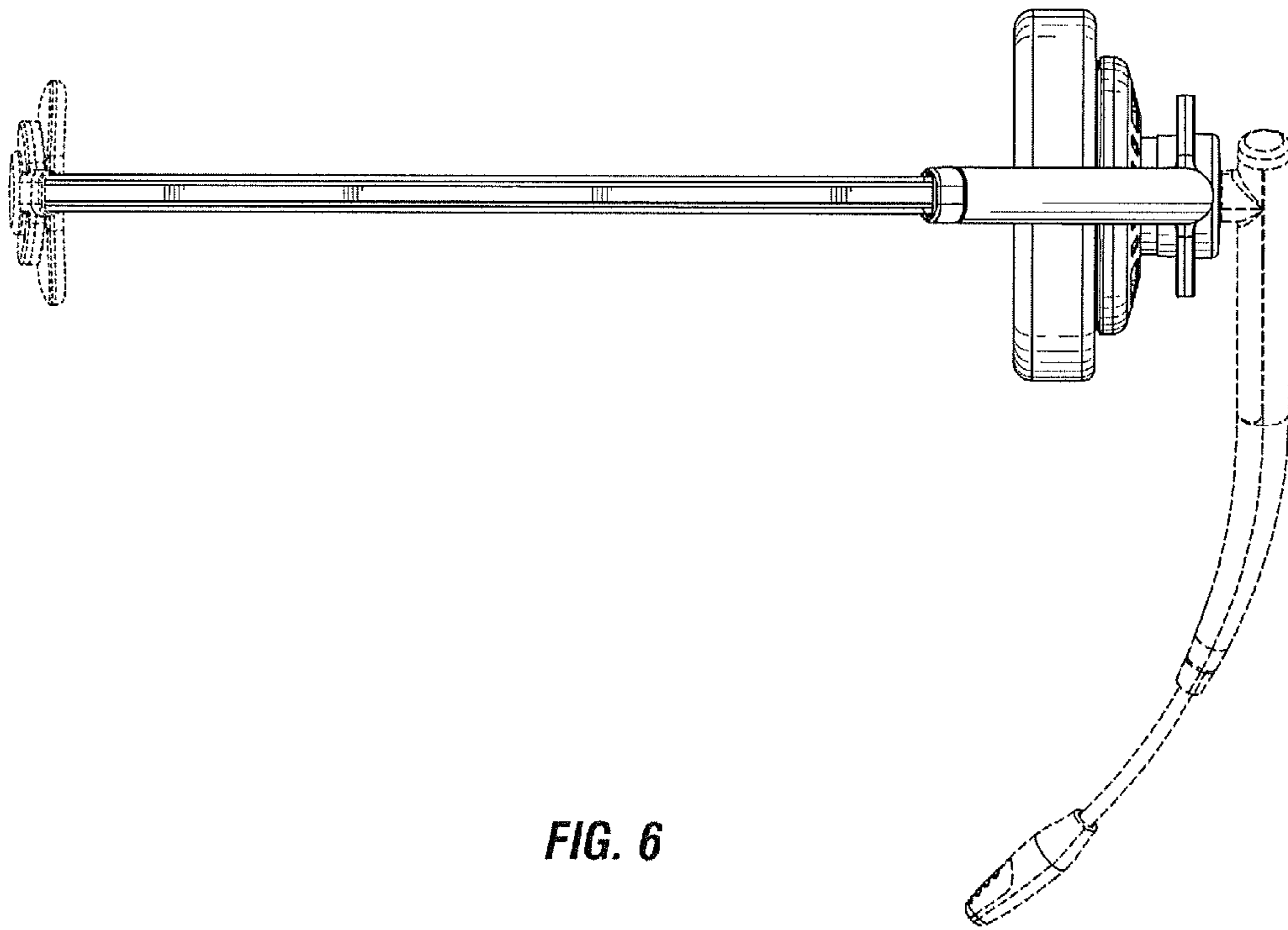


FIG. 6

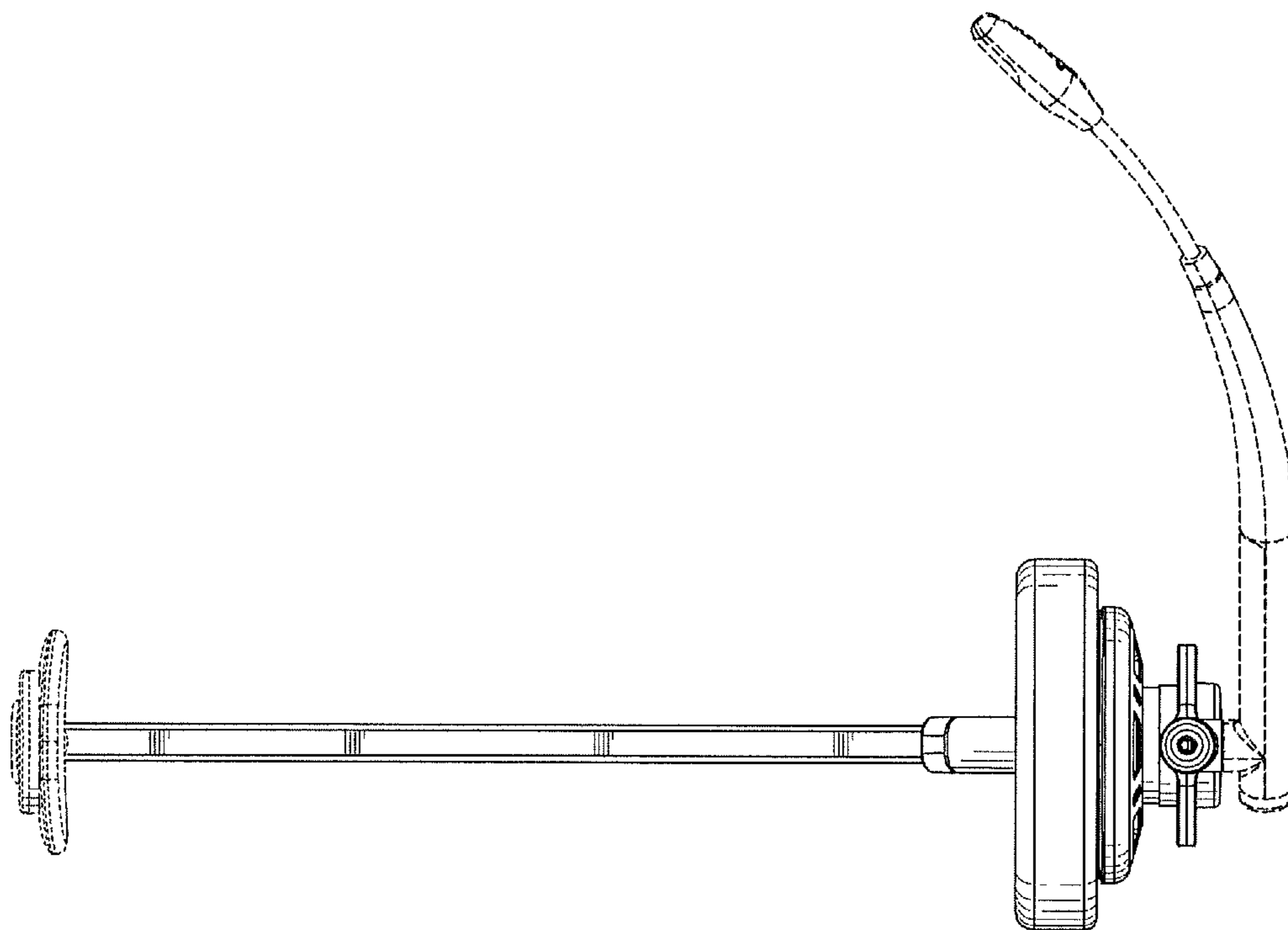


FIG. 7