



US00D587683S

(12) **United States Design Patent**
Ham et al.

(10) **Patent No.:** **US D587,683 S**
(45) **Date of Patent:** **** Mar. 3, 2009**

(54) **COMMUNICATIONS HEADSET**

(75) Inventors: **Soohyun Ham**, San Francisco, CA (US);
Youenn Colin, Sr., San Francisco, CA
(US); **Derek Loh**, Foster City, CA (US);
James Tsai, San Francisco, CA (US);
Jonah Becker, San Francisco, CA (US)

(73) Assignee: **Plantronics, Inc.**, Santa Cruz, CA (US)

(**) Term: **14 Years**

(21) Appl. No.: **29/305,890**

(22) Filed: **Mar. 28, 2008**

(51) **LOC (9) Cl.** **14-01**

(52) **U.S. Cl.** **D14/205**

(58) **Field of Classification Search** D14/205,
D14/206, 223, 192, 188; 181/129, 130; 379/430,
379/433; 381/380, 381, 371, 378, 379, 375,
381/376, 74; D29/112; 2/209; D21/324;
455/575.1

See application file for complete search history.

(56) **References Cited**

U.S. PATENT DOCUMENTS

3,445,597	A *	5/1969	Walters	379/430
D228,352	S *	9/1973	Itagaki	D14/205
D246,259	S *	11/1977	Nishimura et al.	D14/205
D270,634	S *	9/1983	Ungar	D14/205
4,571,746	A *	2/1986	Gorike	2/209
4,597,469	A *	7/1986	Nagashima	181/129
4,689,822	A *	8/1987	Houng	381/379
D292,205	S *	10/1987	Kikutani	D14/205
D310,081	S *	8/1990	Daido et al.	D14/205

D310,223	S *	8/1990	Chudnow	D14/205
D323,167	S *	1/1992	Yamazaki et al.	D14/205
D346,802	S *	5/1994	Sacherman et al.	D14/206
D347,434	S *	5/1994	Yamatogi	D14/205
5,369,857	A *	12/1994	Sacherman et al.	29/594
D358,391	S *	5/1995	Isono	D14/205
D530,307	S *	10/2006	Rath	D14/206
D535,285	S *	1/2007	Skulley	D14/205
D539,267	S *	3/2007	Komiyama	D14/205
D540,302	S *	4/2007	Hagiwara et al.	D14/205
D541,256	S *	4/2007	Rausch et al.	D14/205
D571,354	S *	6/2008	Ng	D14/205

* cited by examiner

Primary Examiner—Paula Greene

(74) *Attorney, Agent, or Firm*—Michael D. Rodriguez

(57) **CLAIM**

The ornamental design for a communications headset, as shown and described.

DESCRIPTION

FIG. 1 is front-top-right perspective view of a communications headset showing our new design;

FIG. 2 is a front view thereof;

FIG. 3 is a back view thereof;

FIG. 4 is a left side view thereof;

FIG. 5 is a right side view thereof;

FIG. 6 is a top view thereof; and,

FIG. 7 is a bottom view thereof.

The broken lines form no part of the claimed design.

1 Claim, 5 Drawing Sheets

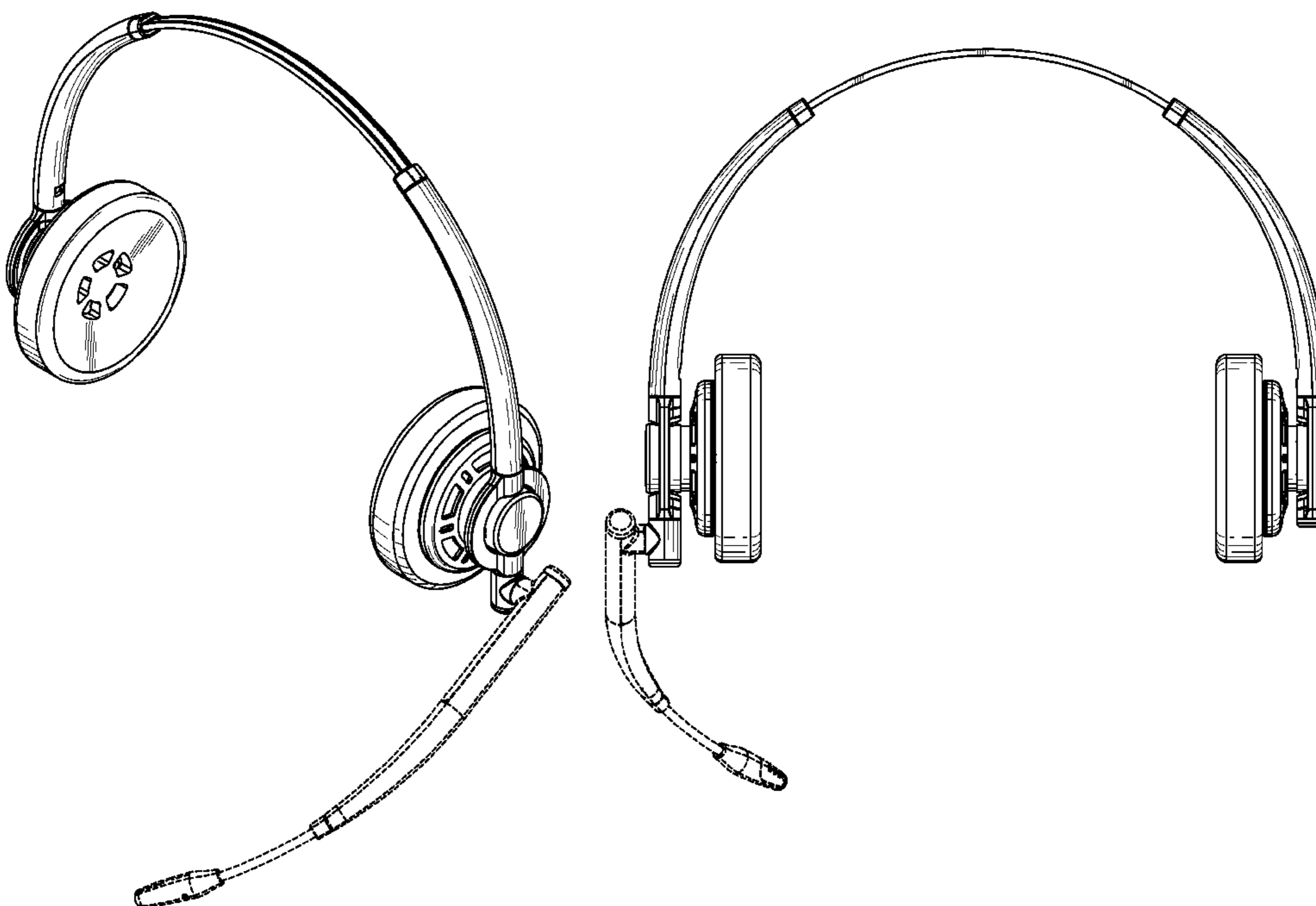




FIG. 1

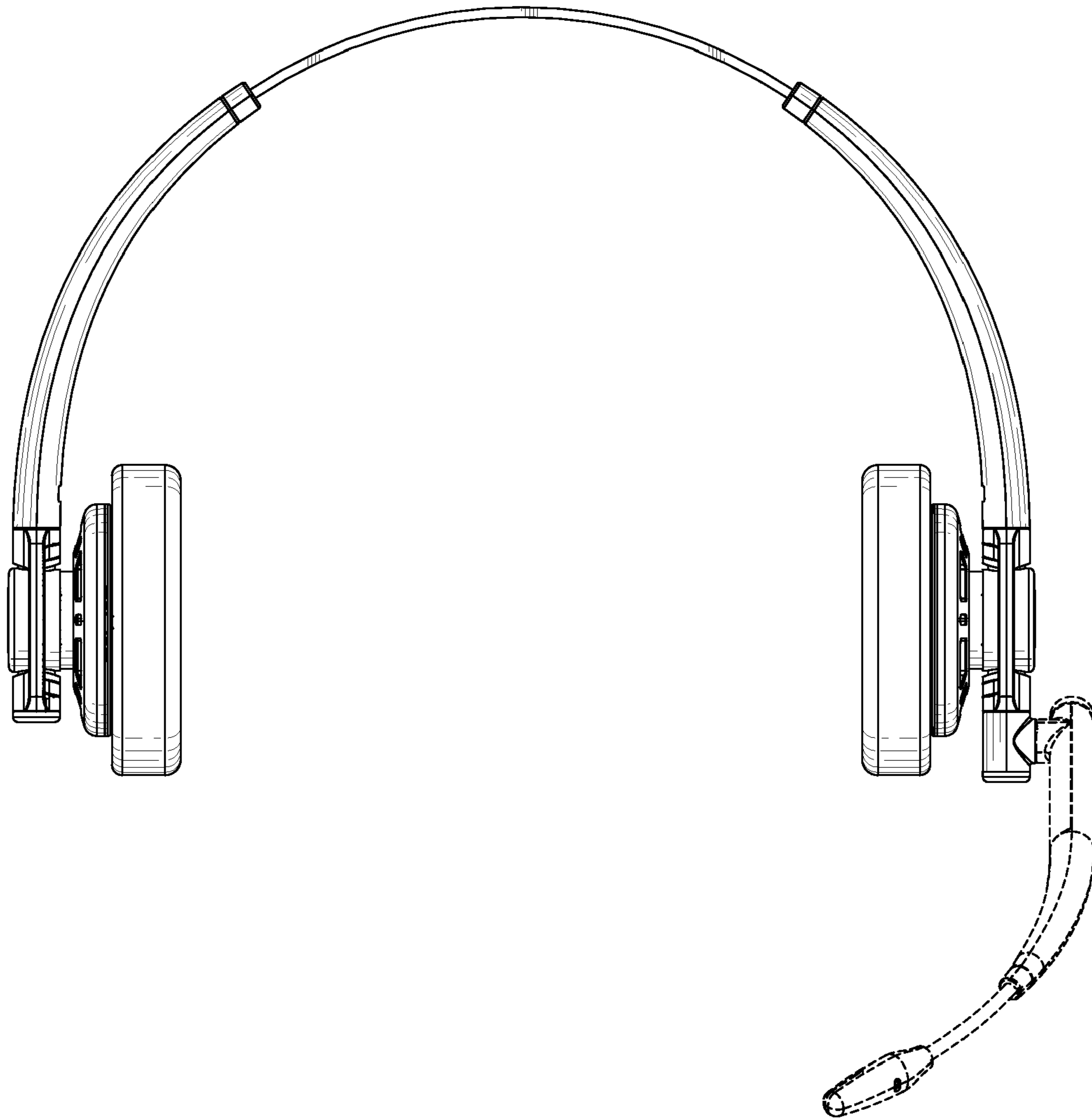


FIG. 2

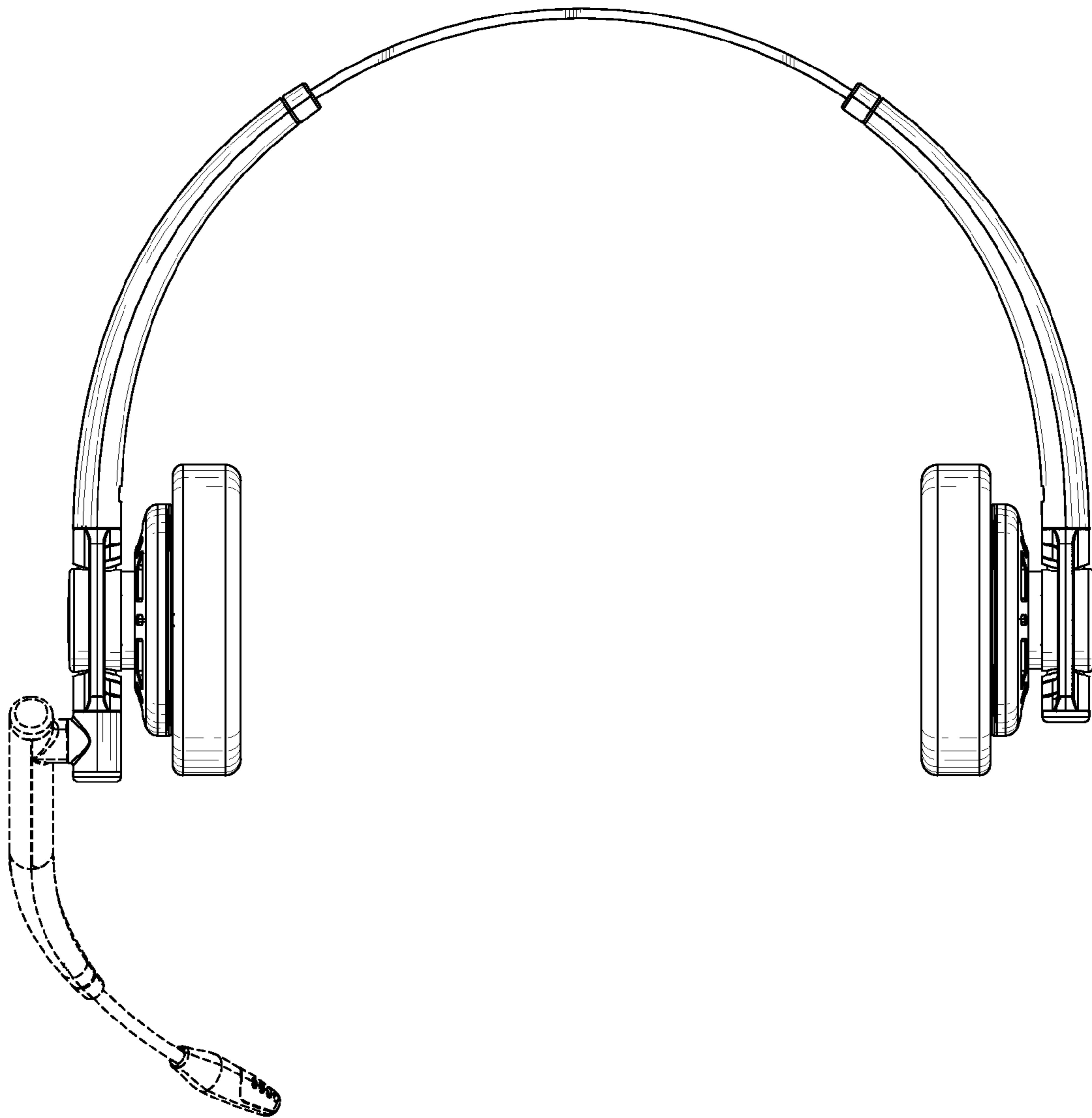


FIG. 3

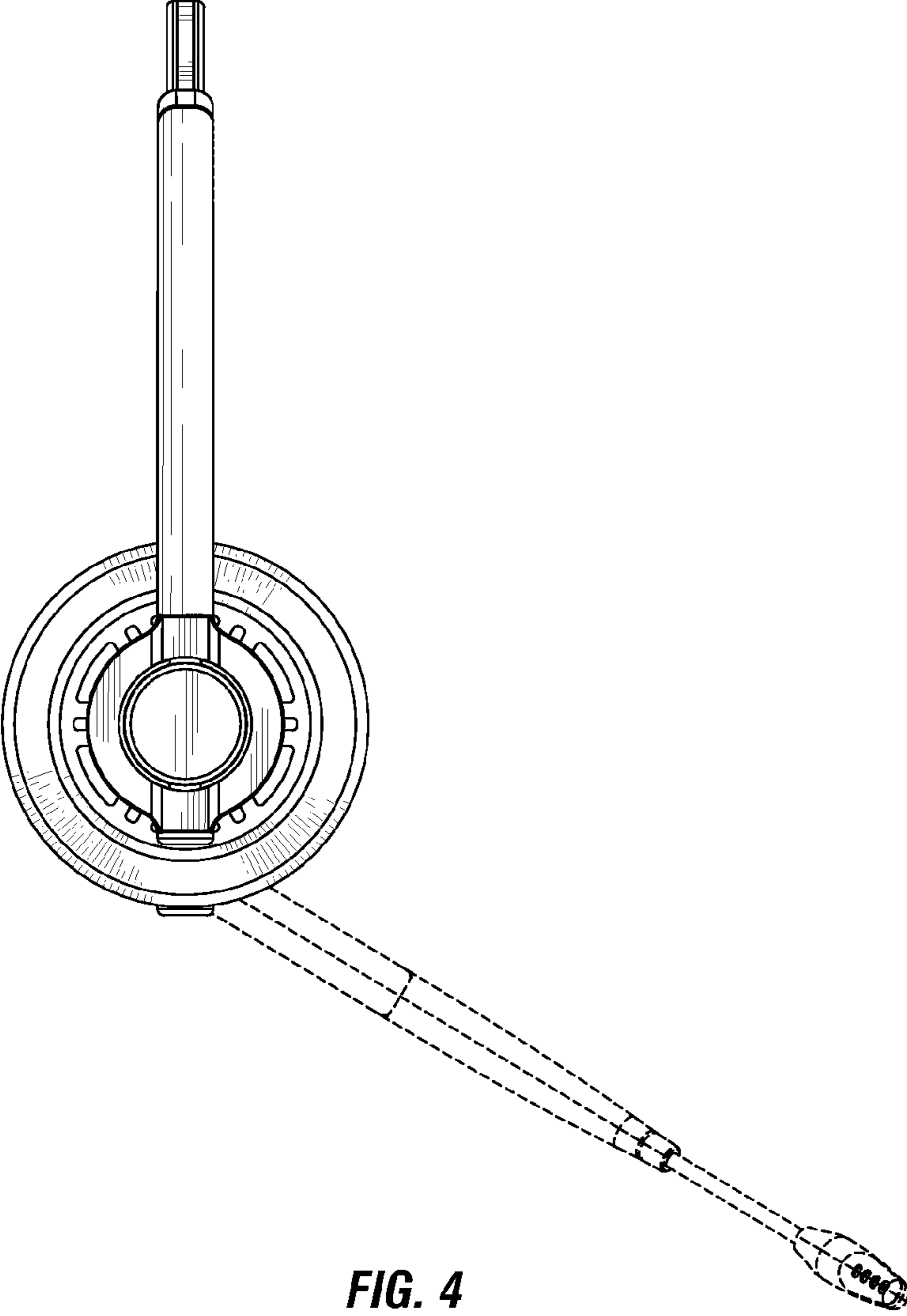


FIG. 4

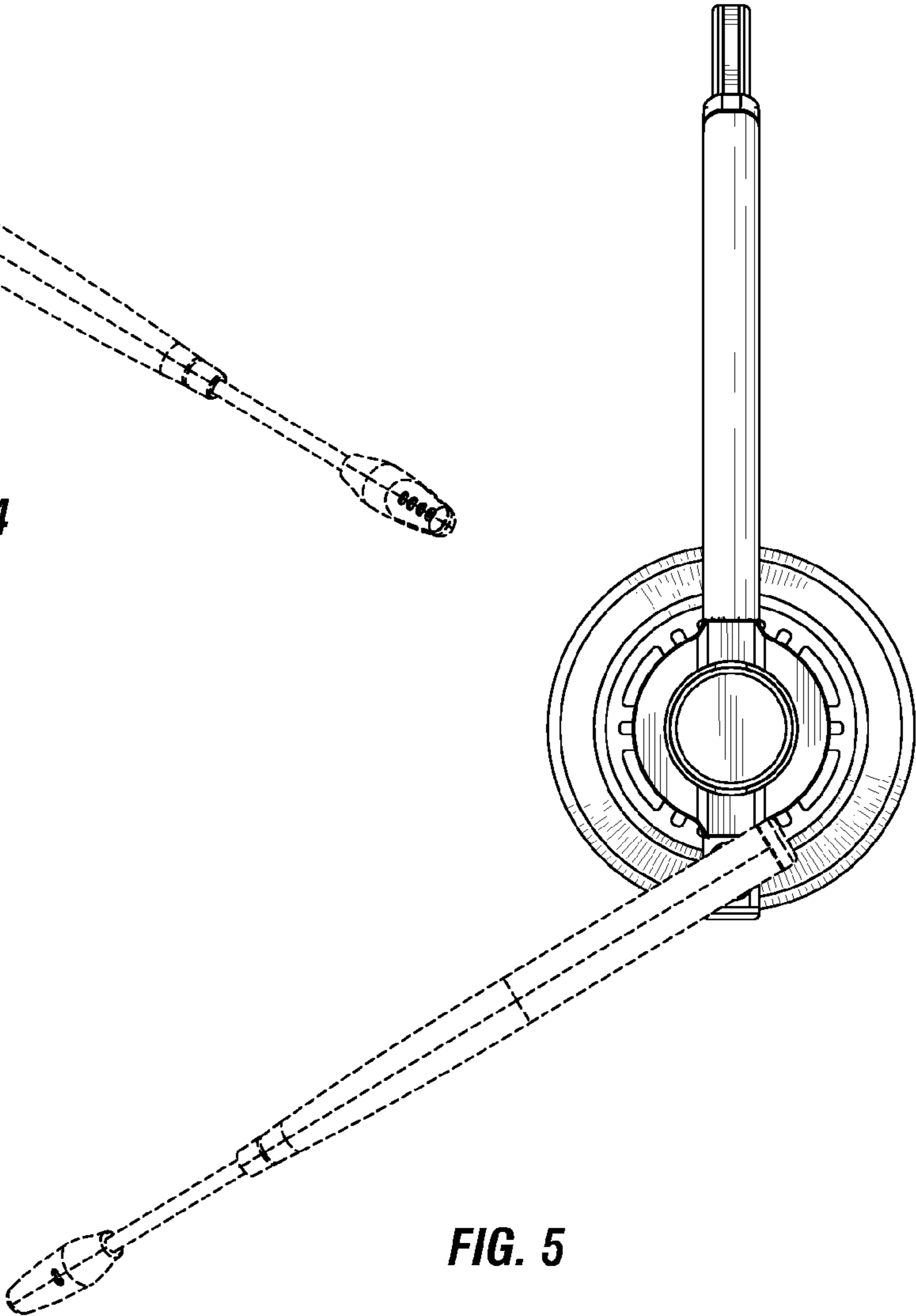


FIG. 5

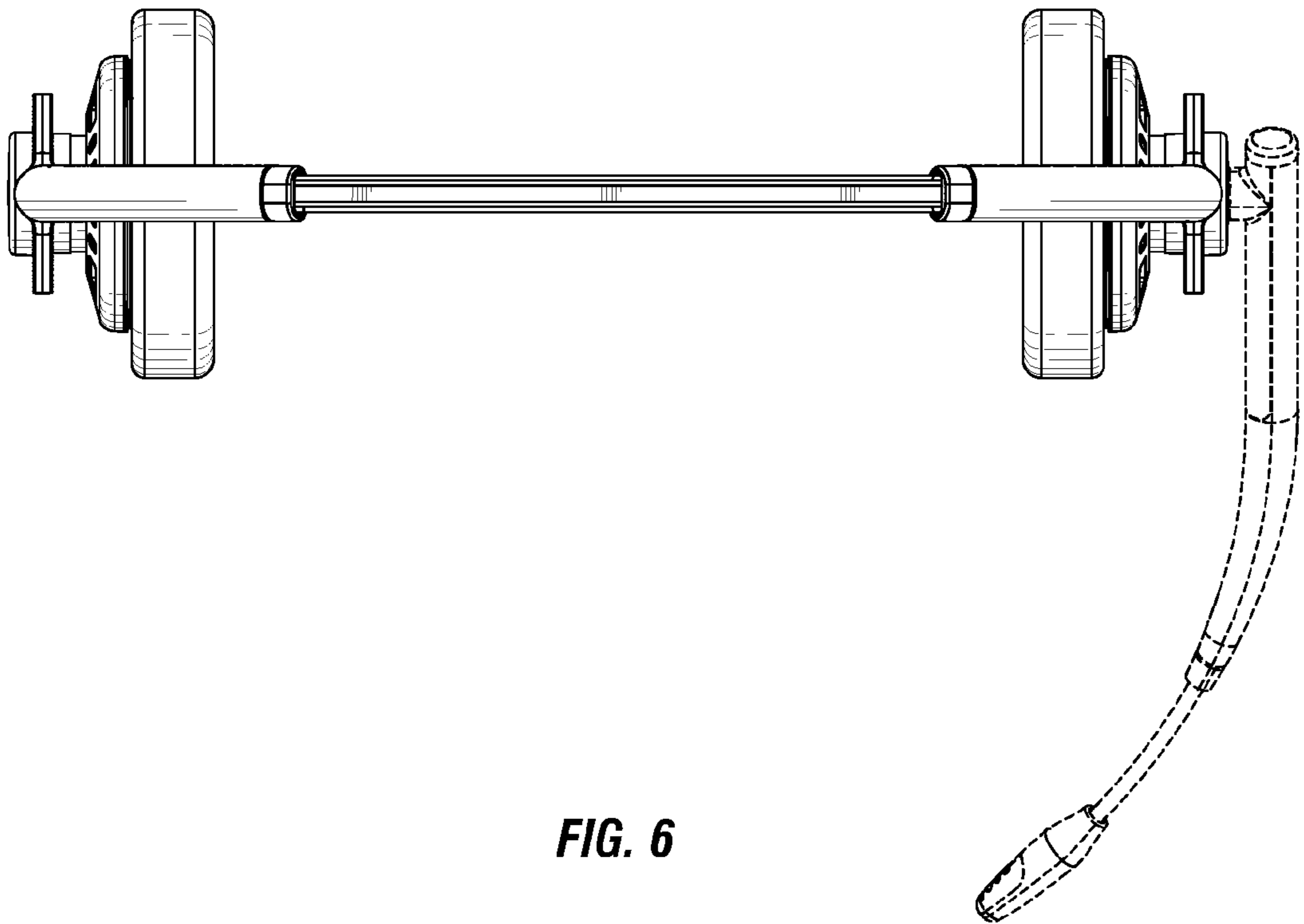


FIG. 6

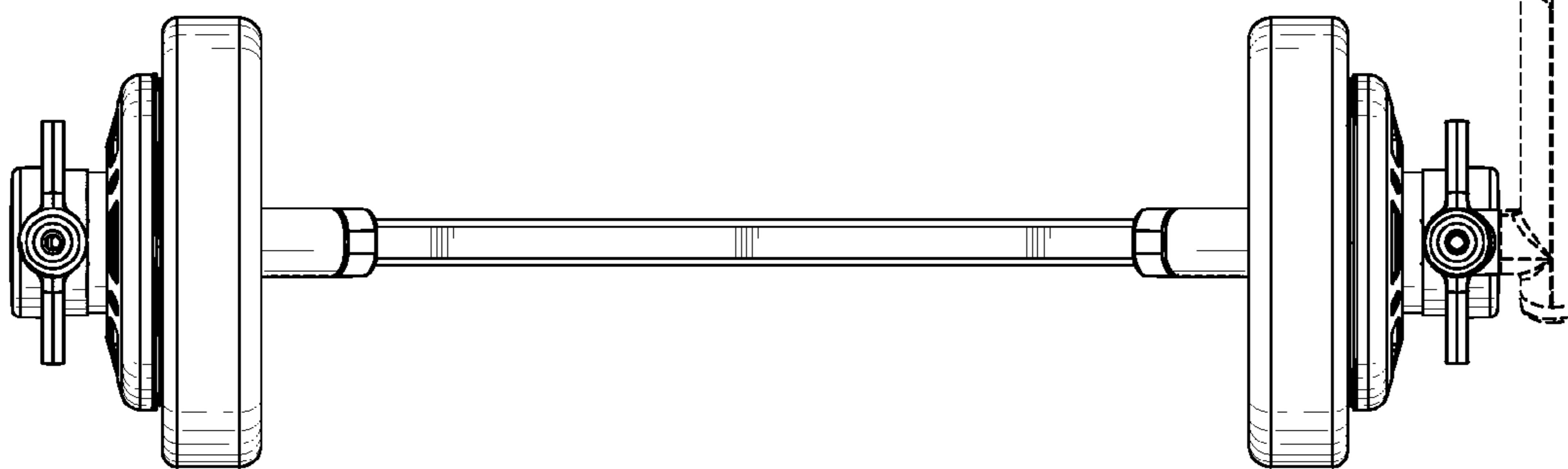


FIG. 7