



US00D587681S

(12) **United States Design Patent**  
**Yanai**

(10) **Patent No.:** **US D587,681 S**

(45) **Date of Patent:** **\*\* Mar. 3, 2009**

(54) **EARPHONE**

(75) Inventor: **Yuichi Yanai**, Tokyo (JP)

(73) Assignee: **Victor Company of Japan, Limited**,  
Yokohama-shi (JP)

(\*\*) Term: **14 Years**

(21) Appl. No.: **29/300,649**

(22) Filed: **Apr. 23, 2008**

(30) **Foreign Application Priority Data**

Oct. 25, 2007 (JP) ..... D2007-029337

(51) **LOC (9) Cl.** ..... **14-01**

(52) **U.S. Cl.** ..... **D14/205**

(58) **Field of Classification Search** ..... D14/205,  
D14/206, 223, 142, 168, 188, 192, 249; 181/129,  
181/130, 135; 379/430, 431, 420.02, 420.03,  
379/420.04; 381/380, 381, 322, 370, 324,  
381/326; 455/575.1, 575.2; 128/864, 865;  
D24/174

See application file for complete search history.

(56) **References Cited**

**U.S. PATENT DOCUMENTS**

D468,301 S \* 1/2003 Fushimi ..... D14/223  
D485,548 S \* 1/2004 Obata ..... D14/223  
D539,268 S \* 3/2007 Suzuki ..... D14/206  
D542,782 S \* 5/2007 Pena Angarita ..... D14/223  
D554,627 S \* 11/2007 Gondo ..... D14/223

D555,152 S \* 11/2007 Wang ..... D14/223  
D558,735 S \* 1/2008 Carr et al. .... D14/206  
D564,495 S \* 3/2008 Sasaki ..... D14/205  
D566,099 S \* 4/2008 Komiyama ..... D14/206  
D566,687 S \* 4/2008 Duarte et al. .... D14/205  
D567,217 S \* 4/2008 Kamo et al. .... D14/205  
D574,361 S \* 8/2008 Sasaki ..... D14/205  
D576,154 S \* 9/2008 Ledbetter et al. .... D14/223

\* cited by examiner

*Primary Examiner*—Paula Greene

(74) *Attorney, Agent, or Firm*—The Nath Law Group; Jerald L. Meyer; Derek Richmond

(57) **CLAIM**

The ornamental design for an earphone, as shown and described.

**DESCRIPTION**

FIG. 1 is a perspective view of an earphone;

FIG. 2 is a front view thereof;

FIG. 3 is a rear view thereof;

FIG. 4 is a top plan view thereof;

FIG. 5 is a bottom plan view thereof;

FIG. 6 is a right side view thereof; and,

FIG. 7 is a left side view thereof.

The broken lines showing on the drawing disclosure are for illustrative purposes only and form no part of the claimed design.

**1 Claim, 7 Drawing Sheets**

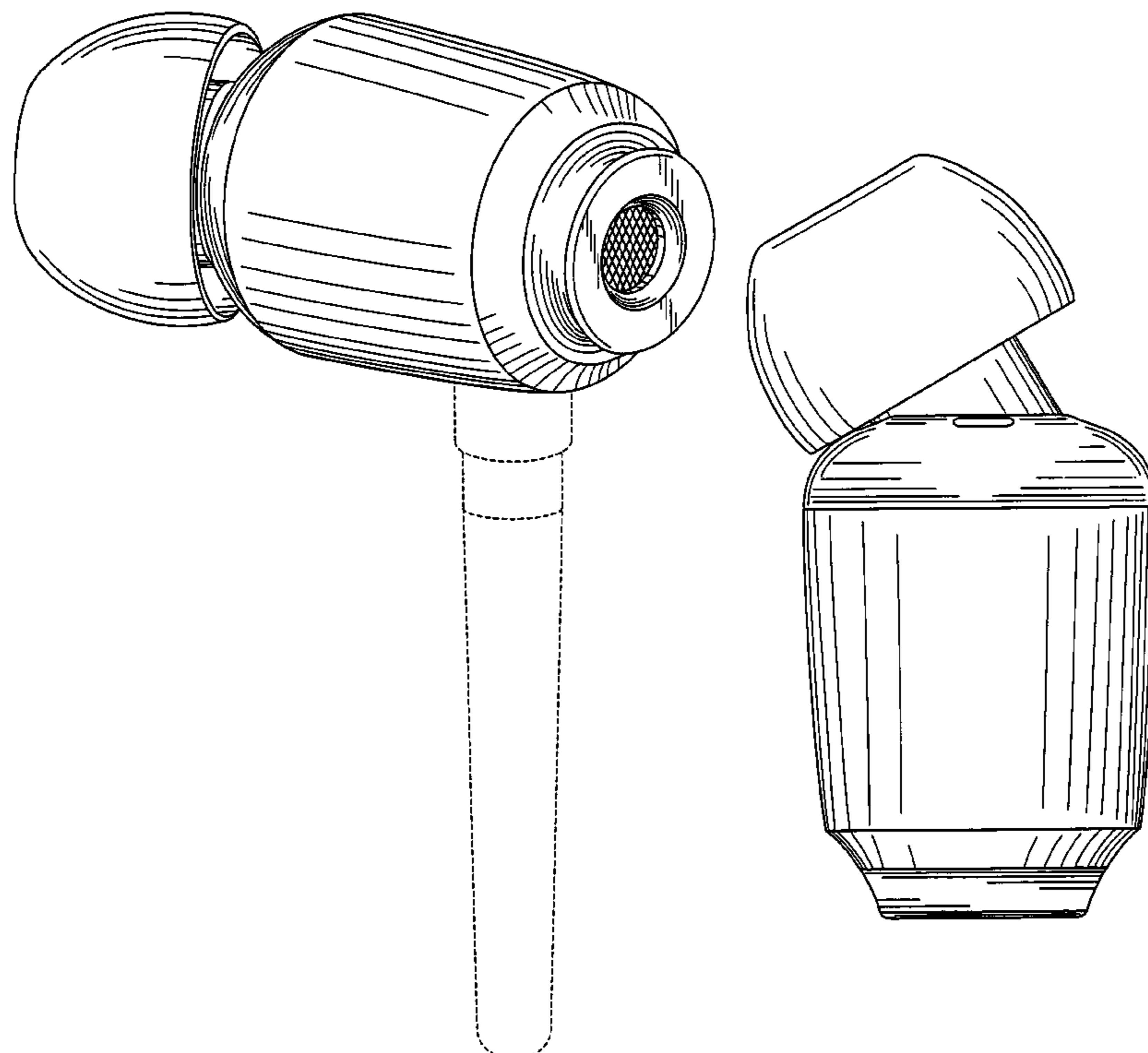


Fig. 1

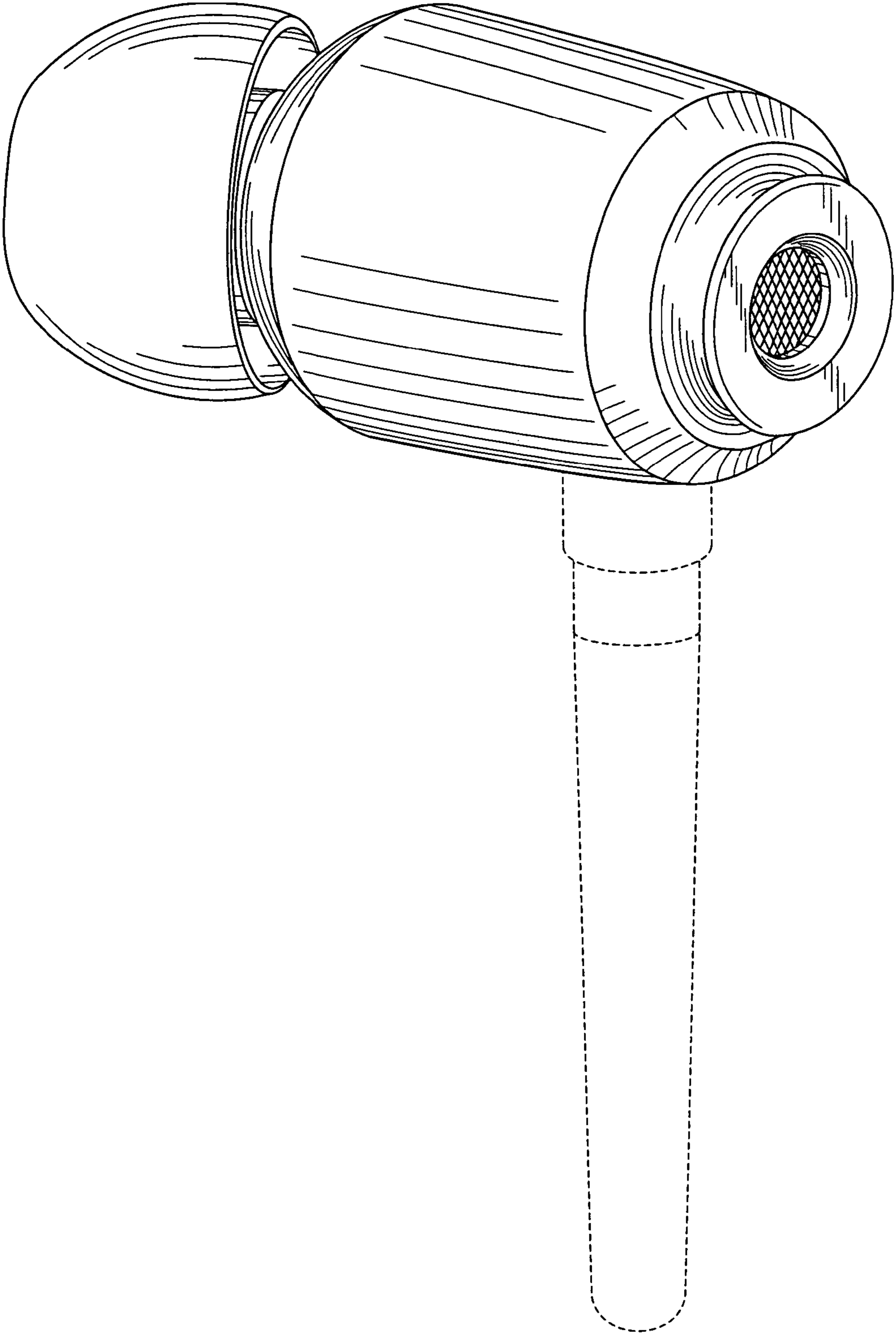


Fig.2

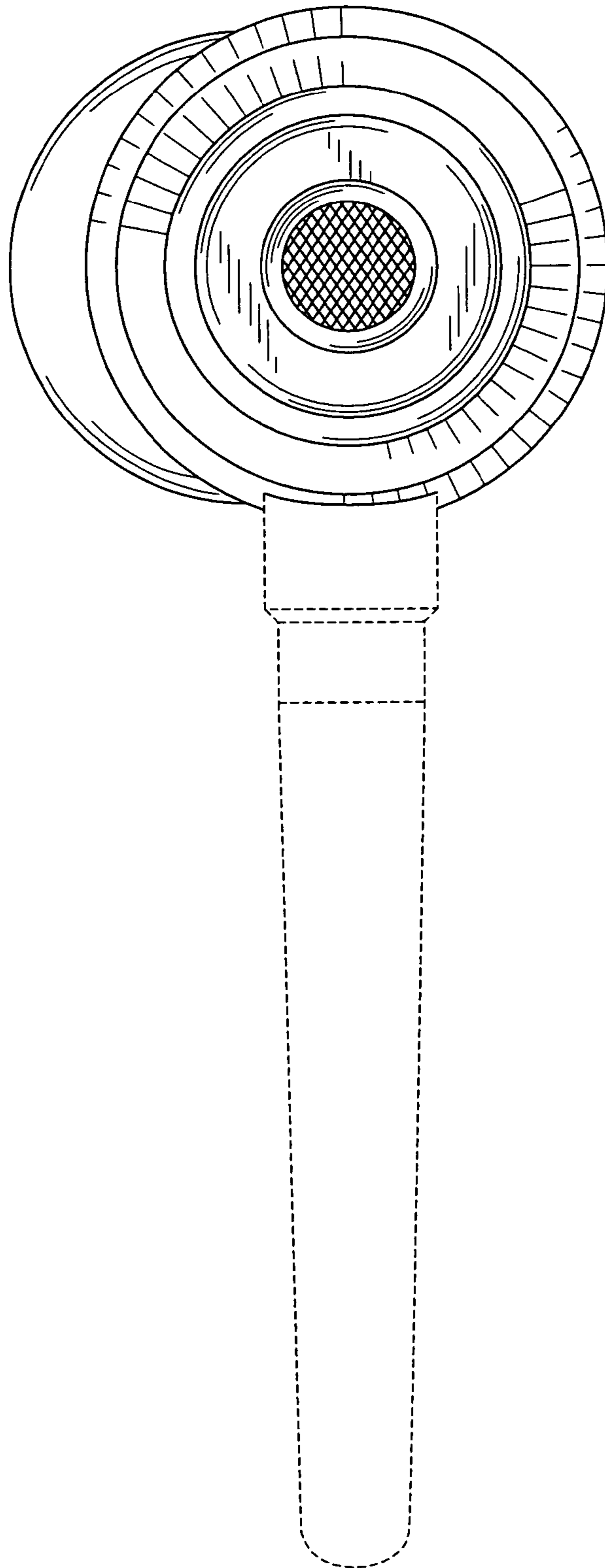


Fig.3

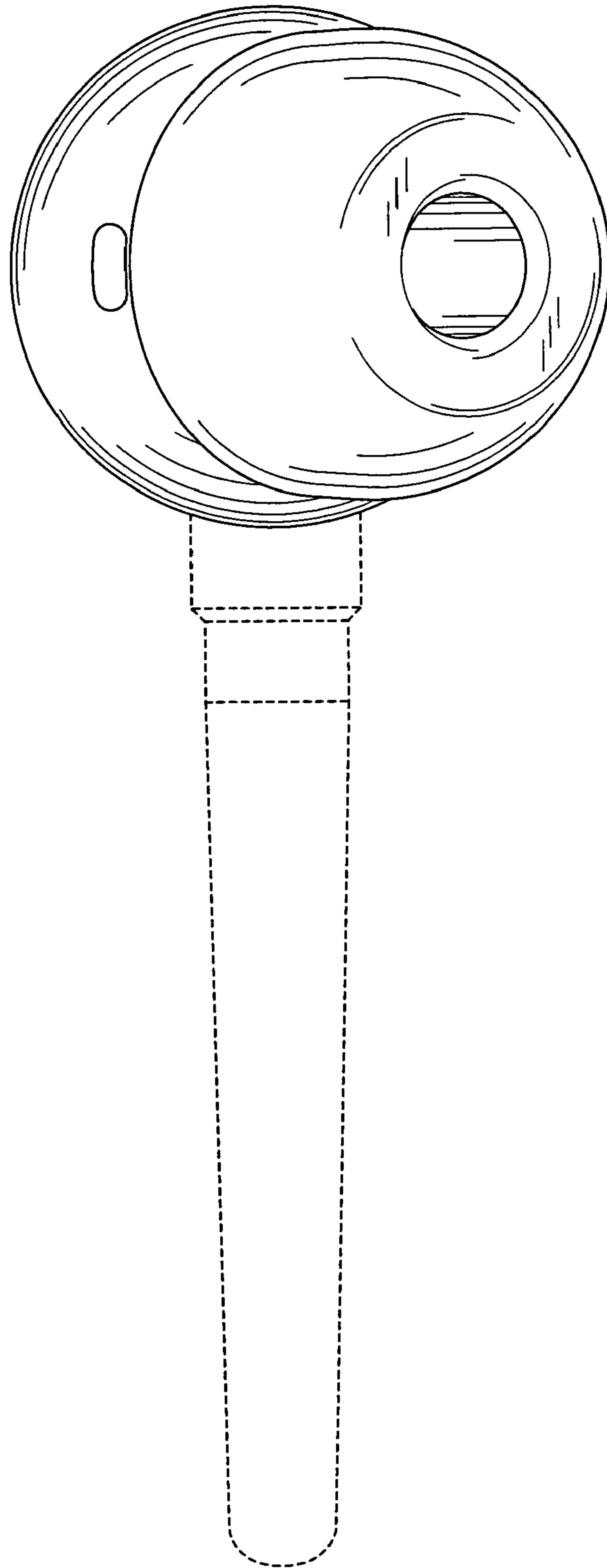


Fig.4

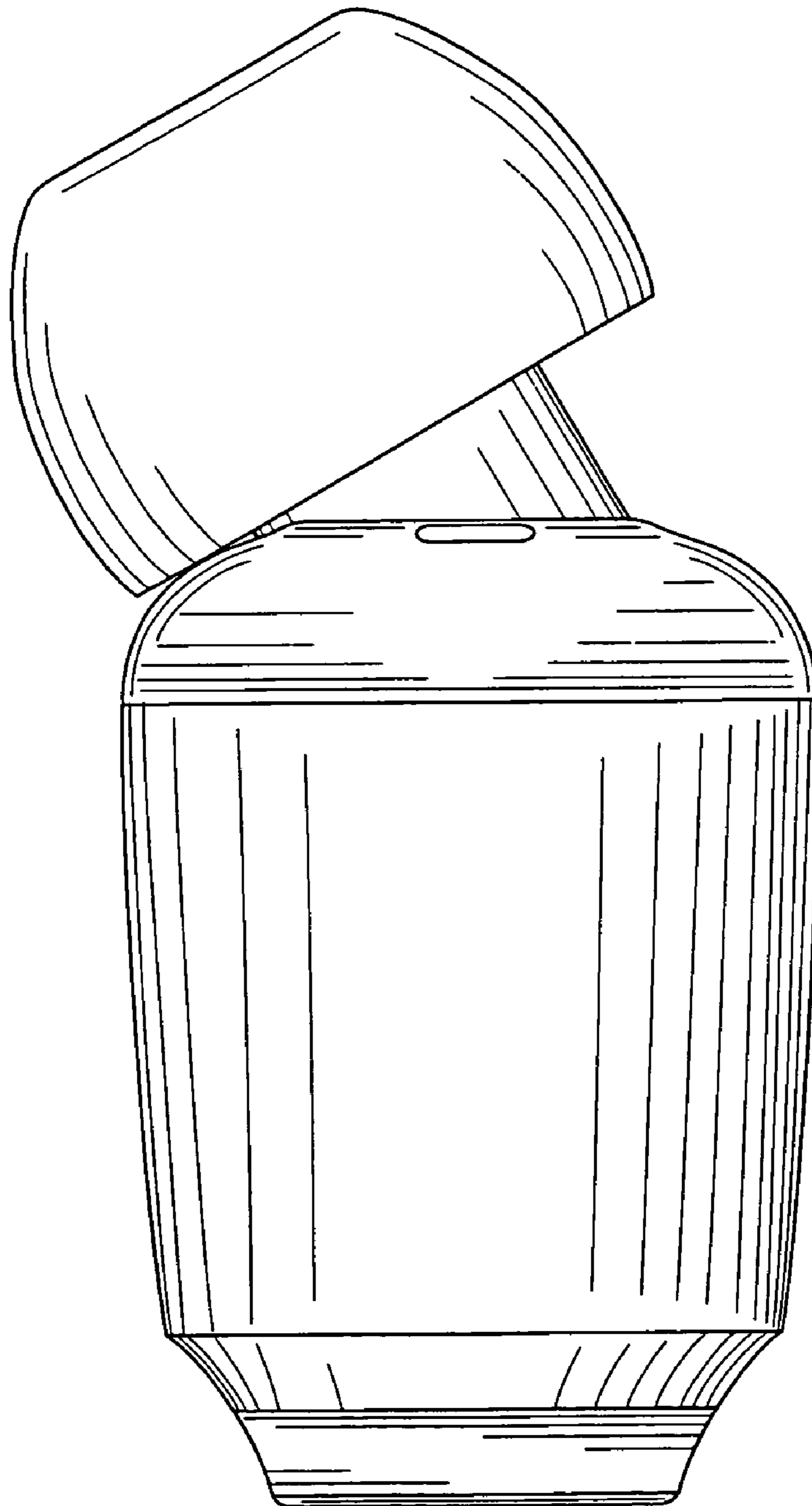


Fig.5

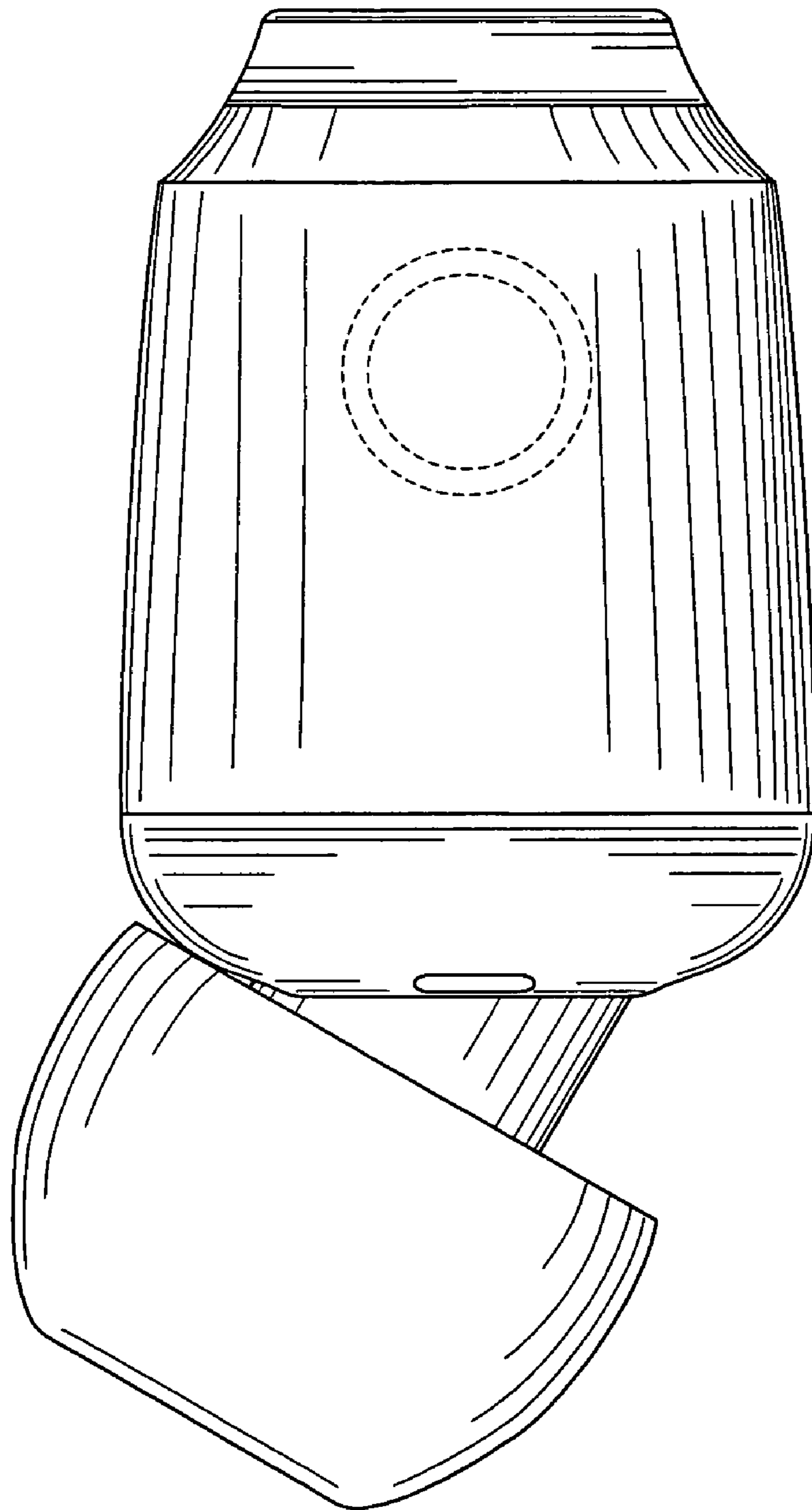


Fig.6

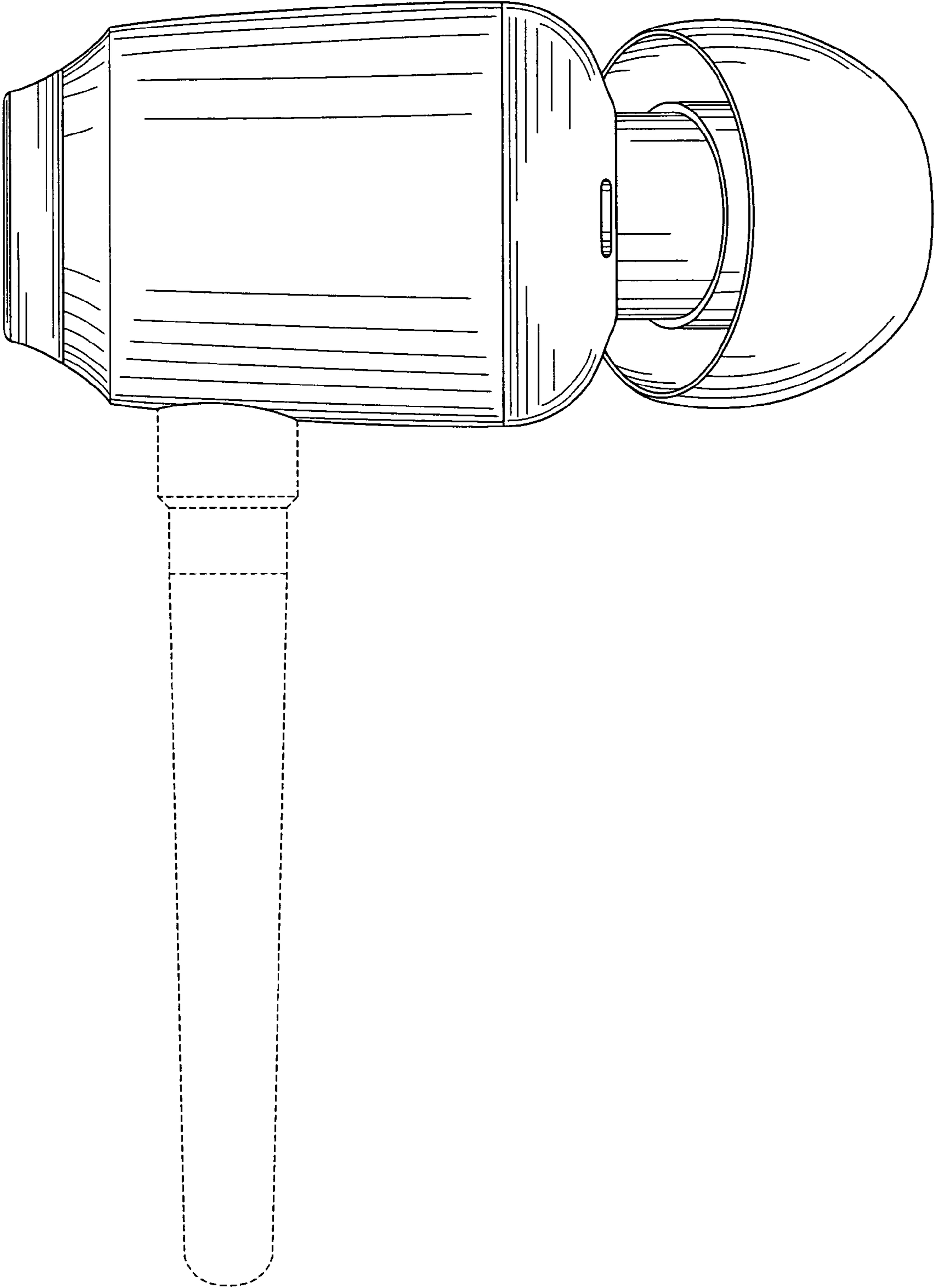


Fig. 7

