



US00D587678S

(12) **United States Design Patent**
Yuyama

(10) **Patent No.:** **US D587,678 S**
(45) **Date of Patent:** **** Mar. 3, 2009**

(54) **HEADPHONE**

(75) Inventor: **Yasuo Yuyama**, Tokyo (JP)

(73) Assignee: **Sony Corporation**, Tokyo (JP)

(**) Term: **14 Years**

(21) Appl. No.: **29/300,374**

(22) Filed: **Mar. 20, 2008**

(30) **Foreign Application Priority Data**

Sep. 28, 2007 (JP) D2007-026504

(51) **LOC (9) Cl.** **14-01**

(52) **U.S. Cl.** **D14/205**

(58) **Field of Classification Search** D14/188,
D14/192, 249, 205, 206, 223; 181/129-130;
379/430, 433.01, 433.05, 420.01; 381/370,
381/376, 377, 378, 380, 381; 455/344, 351,
455/569.1; 2/209; D29/112

See application file for complete search history.

(56) **References Cited**

U.S. PATENT DOCUMENTS

4,646,872 A * 3/1987 Kamon et al. 181/129
4,689,822 A * 8/1987 Houng 381/379
D299,454 S * 1/1989 Kwong D14/205

(Continued)

FOREIGN PATENT DOCUMENTS

JP D551683 S 4/1981

(Continued)

OTHER PUBLICATIONS

Catalog "Sport line sound is your power, MX 75, PMX 70", 1 sheet,
Sennheiser (2008).

(Continued)

Primary Examiner—Paula Greene

(74) *Attorney, Agent, or Firm*—Rader, Fishman & Grauer,
PLLC

(57) **CLAIM**

The ornamental design for a headphone, as shown and
described.

DESCRIPTION

FIG. 1 is a perspective view of a headphone showing my new
design in an open position;

FIG. 2 is a front elevational view thereof;

FIG. 3 is a rear elevational view thereof;

FIG. 4 is a top plan view thereof;

FIG. 5 is a bottom plan view thereof;

FIG. 6 is a right side elevational view thereof; and

FIG. 7 is a left side elevational view thereof.

FIG. 8 is a perspective view of the headphone of FIG. 1 in a
closed position;

FIG. 9 is a front elevational view thereof;

FIG. 10 is a rear elevational view thereof;

FIG. 11 is a top plan view thereof;

FIG. 12 is a bottom plan view thereof;

FIG. 13 is a right side elevational view thereof; and

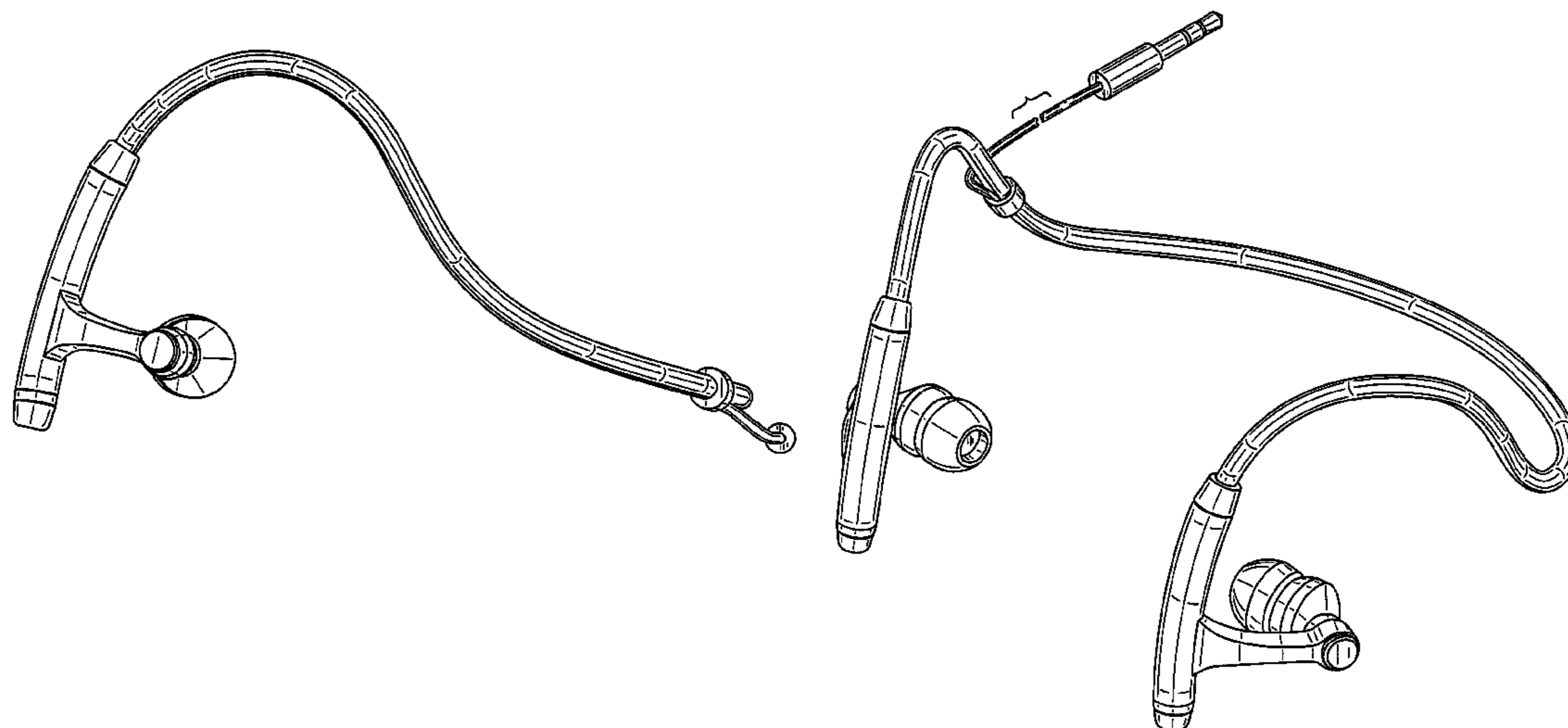
FIG. 14 is a left side elevational view thereof.

FIG. 15 is a perspective view of the headphone of FIG. 1 in an
open position, wherein the cord is enclosed into a slit formed
along the elongated connecting part; and,

FIG. 16 is a perspective view of a headphone of FIG. 1 in an
open position, wherein the cord is extracted from the slit
formed along the elongated connecting part.

The broken away lines in the drawing disclosure indicate
indeterminate length of the cable connected to the headphone,
which is not claimed.

1 Claim, 16 Drawing Sheets



US D587,678 S

Page 2

U.S. PATENT DOCUMENTS

D311,007 S * 10/1990 Daido D14/205
D316,551 S * 4/1991 Ichikawa D14/205
D318,669 S * 7/1991 Nakayama D14/205
D318,864 S * 8/1991 Daido et al. D14/205
D326,655 S * 6/1992 Iribe D14/192
D331,057 S * 11/1992 Isonaga D14/205
D331,408 S * 12/1992 Ellermeier D14/205
D331,966 S * 12/1992 Gardner, Jr. D24/106
D350,961 S 9/1994 Nakamura
D357,921 S 5/1995 Ming-Chin
D361,066 S * 8/1995 Langhorn et al. D14/142
D368,716 S 4/1996 Shudo
D399,206 S 10/1998 Yasutomi et al.
D403,681 S * 1/1999 Lam D14/223
D430,139 S * 8/2000 Peters et al. D14/205
D443,261 S 6/2001 Yuyama
D452,491 S 12/2001 Sato
D453,015 S 1/2002 Yuyama
D457,515 S 5/2002 Masamitsu et al.
6,456,721 B1 * 9/2002 Fukuda 381/380
D464,945 S * 10/2002 Bosch D14/206
D469,753 S * 2/2003 Andre et al. D14/205
D471,176 S 3/2003 Suzuki
6,690,808 B2 * 2/2004 Urwyler 381/381
6,741,719 B1 * 5/2004 Orten 381/380
D504,672 S 5/2005 Hirano
D505,411 S 5/2005 Sakai
D515,069 S 2/2006 Naito
D517,045 S 3/2006 Komiyama
D546,321 S * 7/2007 Kim D14/223
D558,735 S * 1/2008 Carr et al. D14/206
D563,384 S * 3/2008 Hemer D14/206

D567,217 S * 4/2008 Kamo et al. D14/205
D575,268 S * 8/2008 Christopher et al. D14/205
D578,507 S * 10/2008 Ando D14/205
D578,508 S * 10/2008 Wang D14/206

FOREIGN PATENT DOCUMENTS

JP D0184542 S 9/2000
JP D. 1135300 S 3/2002
JP D1183055 S 8/2003
JP D1194938 S 1/2004
JP D1231627 S 2/2005
JP D1293193 S 2/2007

OTHER PUBLICATIONS

Catalog "Mobile Phone Accessory DR-NX2SF" 1 sheet, Sony (2008).
Catalog "Accessory MDR-NX3", 2 sheets, Sony (May 2007).
Catalog "Sennheiser, Headphones for digital 2007 from Germany", 2 sheets, General Trade Co., Ltd. (2007).
Web page "Condenser Microphone" http://northern-america.beyerdynamic.com/n_c/en/home.html, 2 sheets, Beyerdynamic (Feb. 2008).
Web page "SX 10" http://northern-america.beyerdynamic.com/en/consumer-products/products/trendline/mobile-headphones.html?tx-sbproductdatabase_pil%5..., 2 sheets, Beyerdynammic (Feb. 2008).
Web page "Stereophones", <http://www.koss.com/>, 2 sheets, Koss Corporation (Feb. 2008).
Web page "Stereophones SRP", <http://www.koss.com/koss/kossweb.nsf/p?openform&pcbhp16>, 3 sheets, Koss Corporation (Feb. 2008).
Web page "ASHIDAVOX" <http://www.ashida.co.jp/index.html>, 3 sheets, Ashida Sound Co., Ltd. (1999-2007).

* cited by examiner

FIG.1

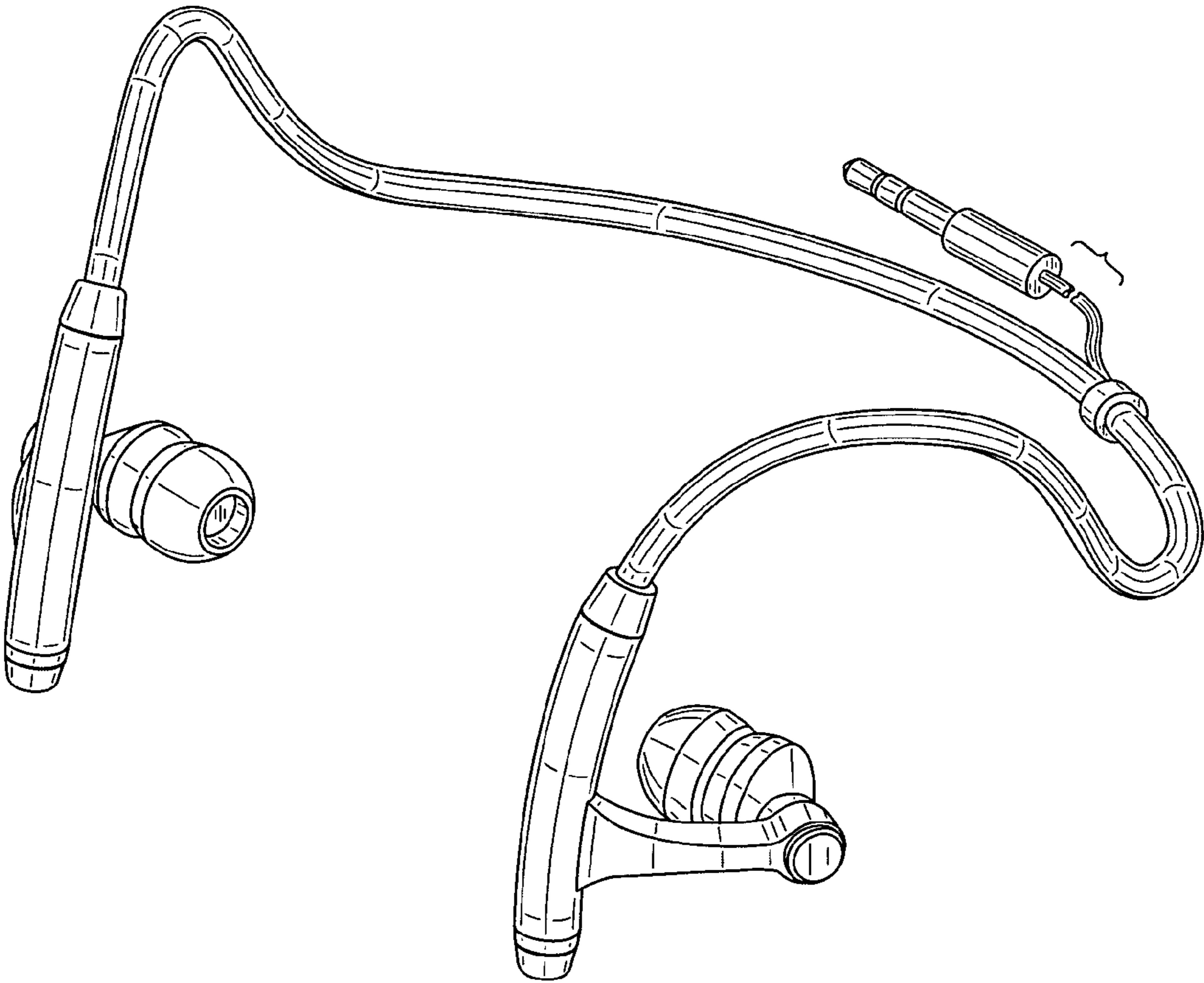


FIG.2

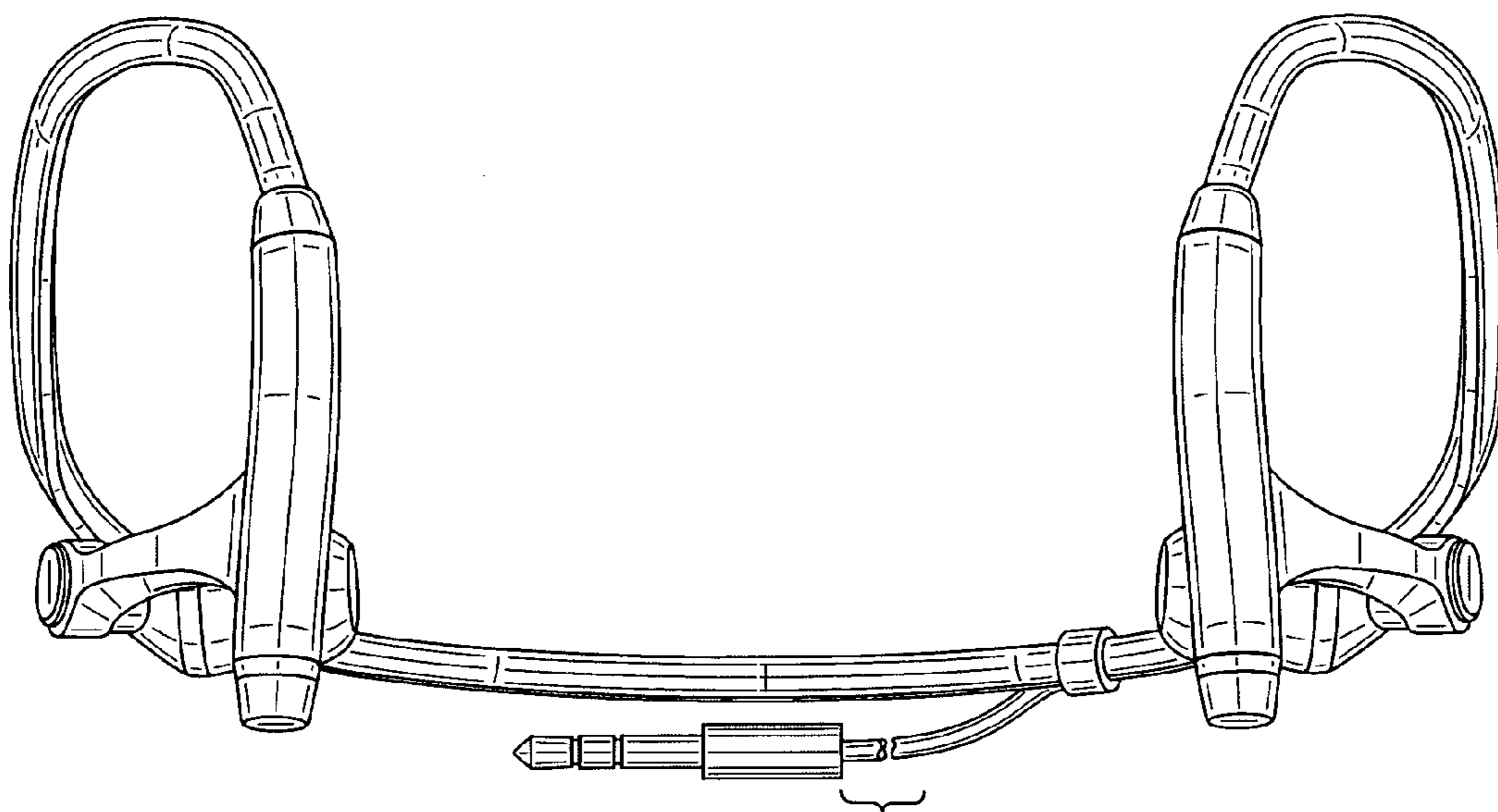


FIG.3

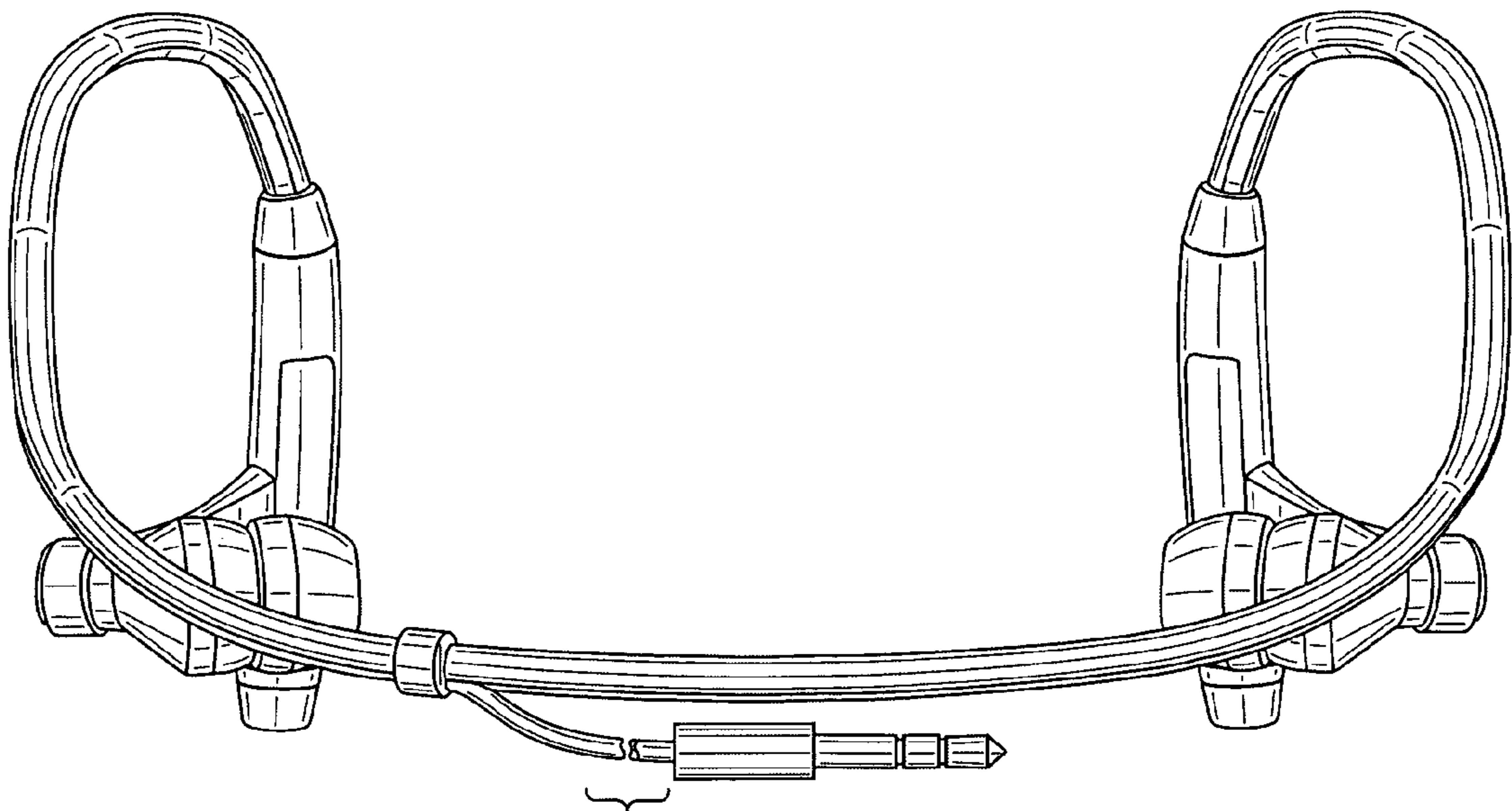


FIG.4

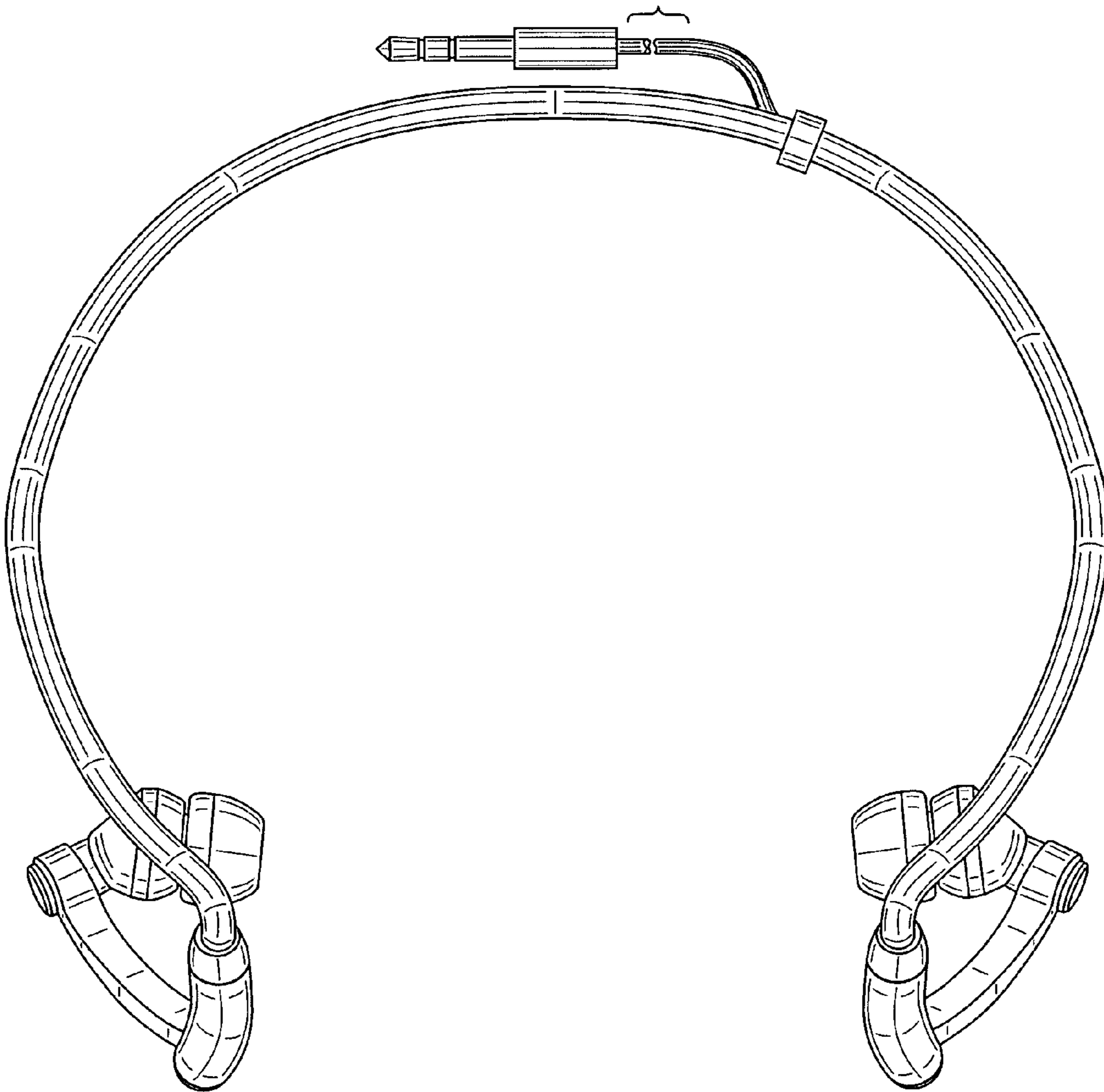


FIG.5

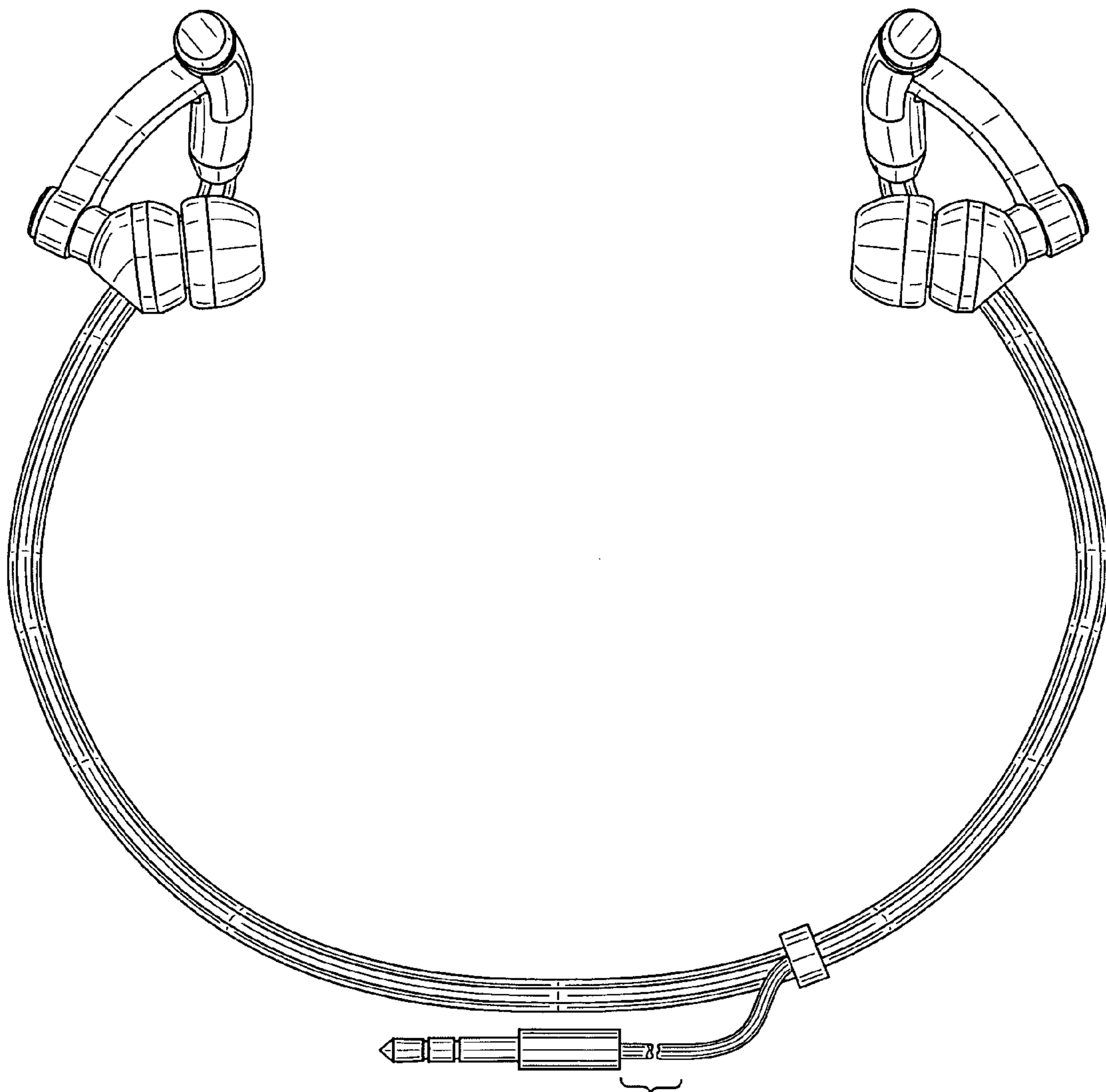


FIG.6

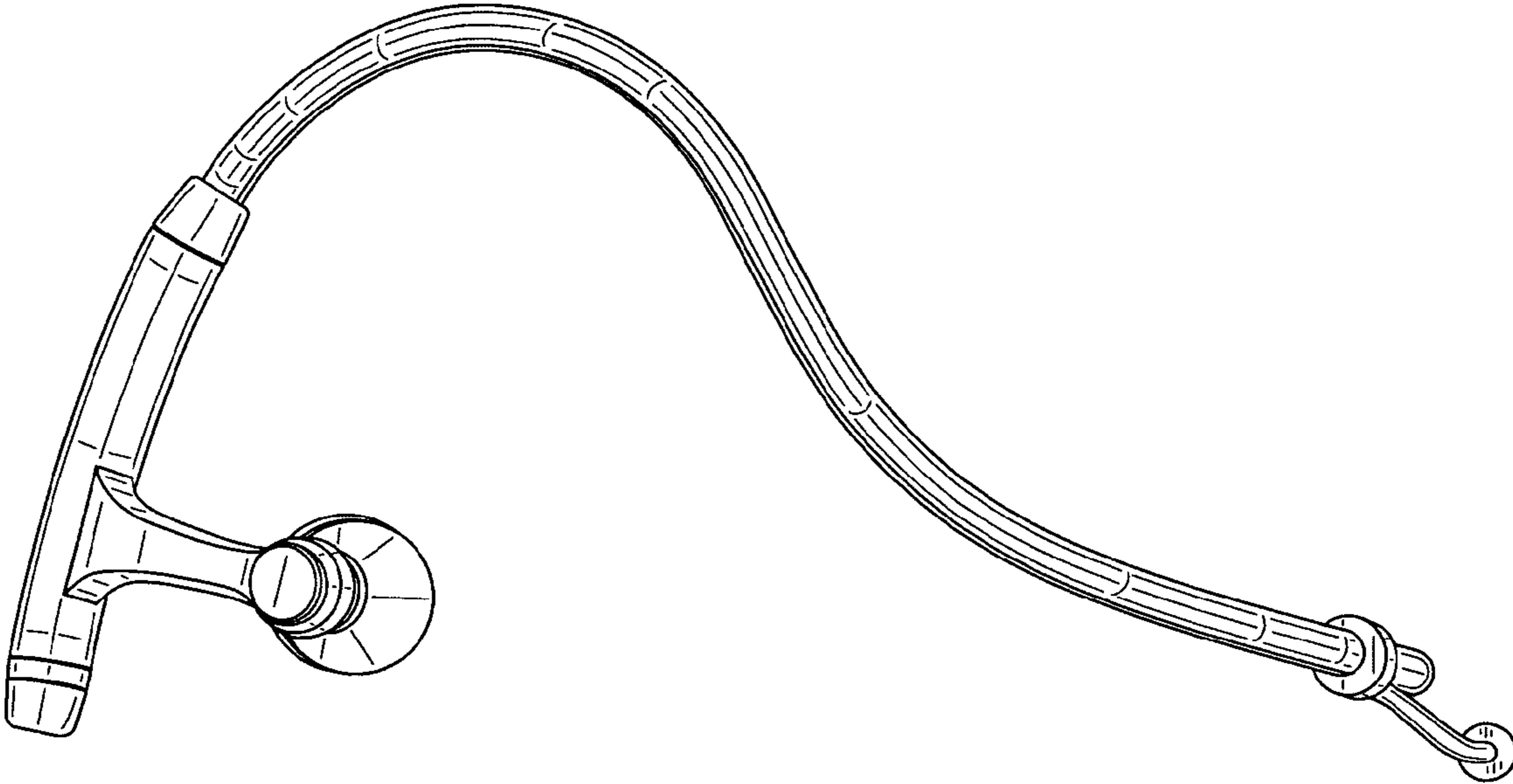


FIG.7

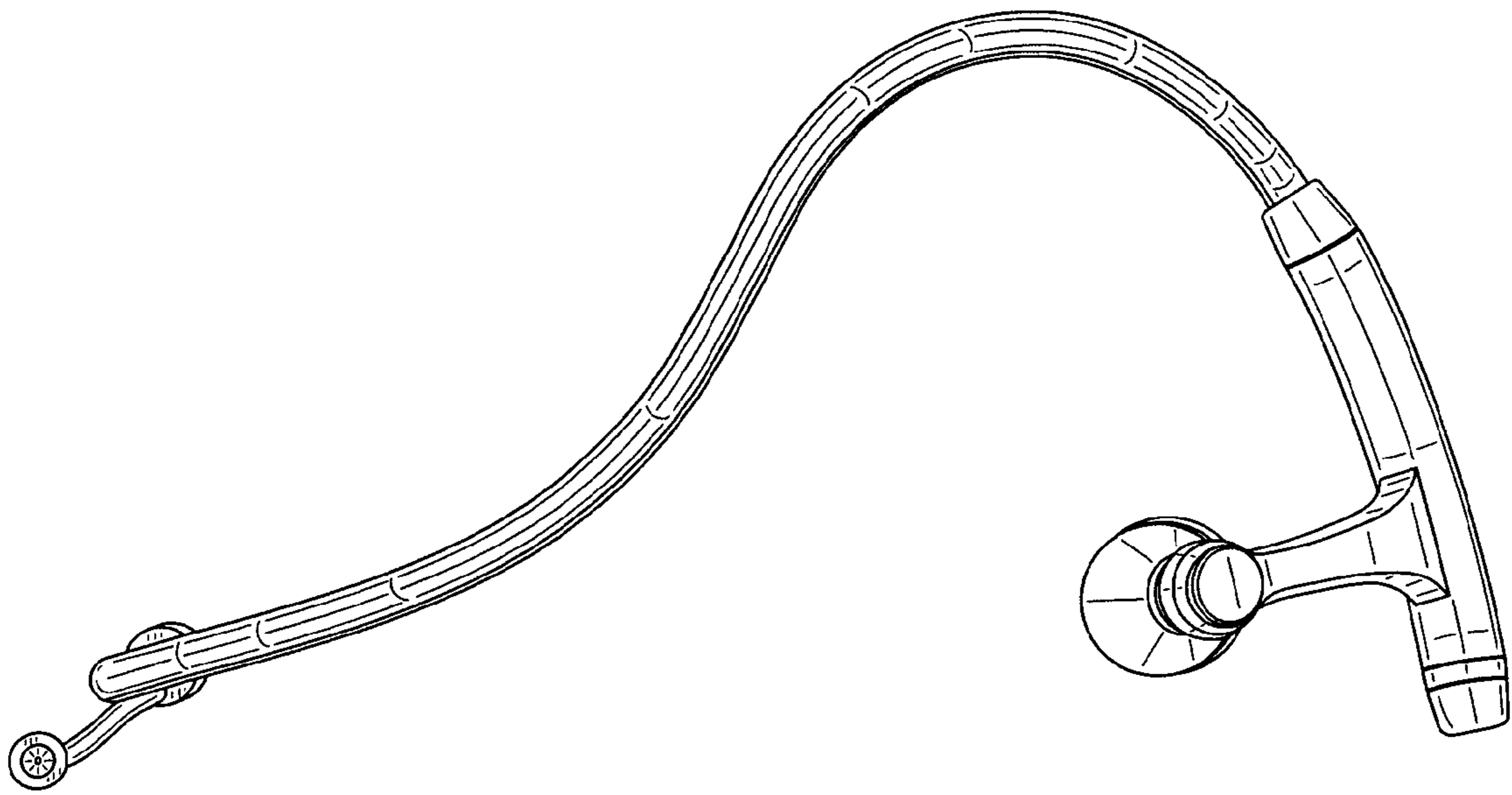


FIG.8

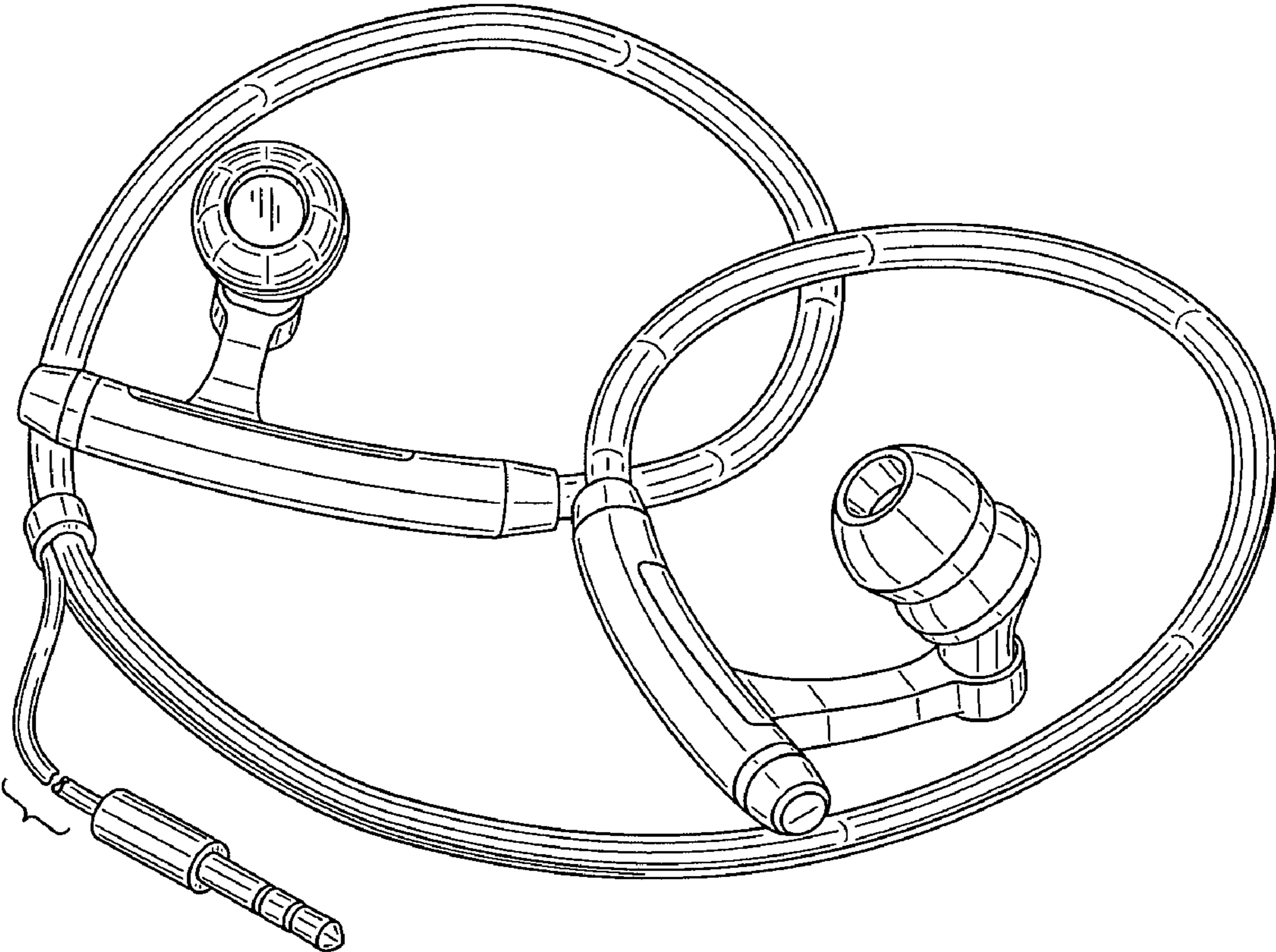


FIG.9

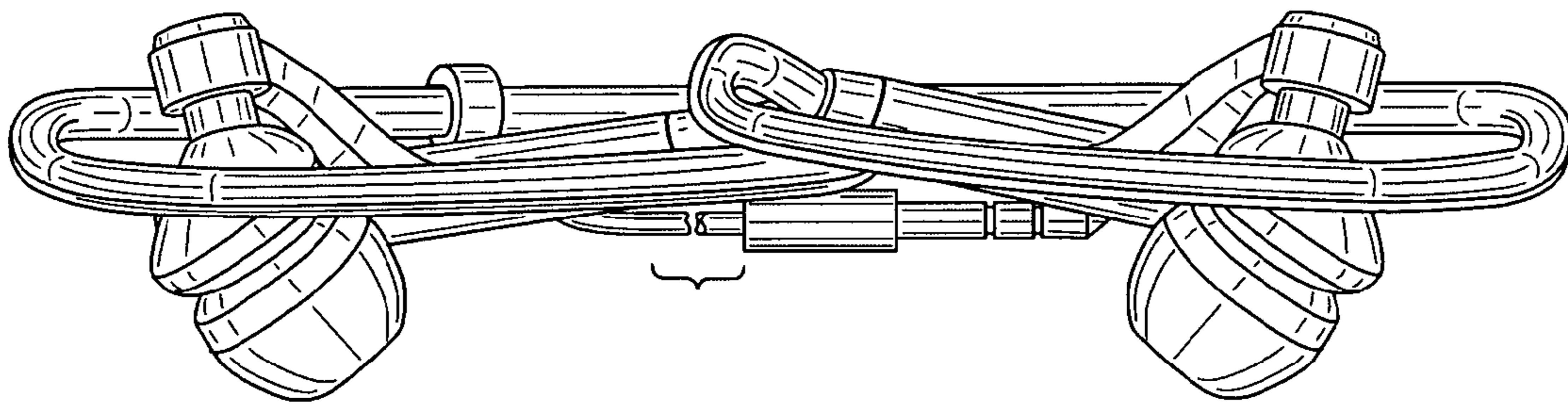


FIG.10

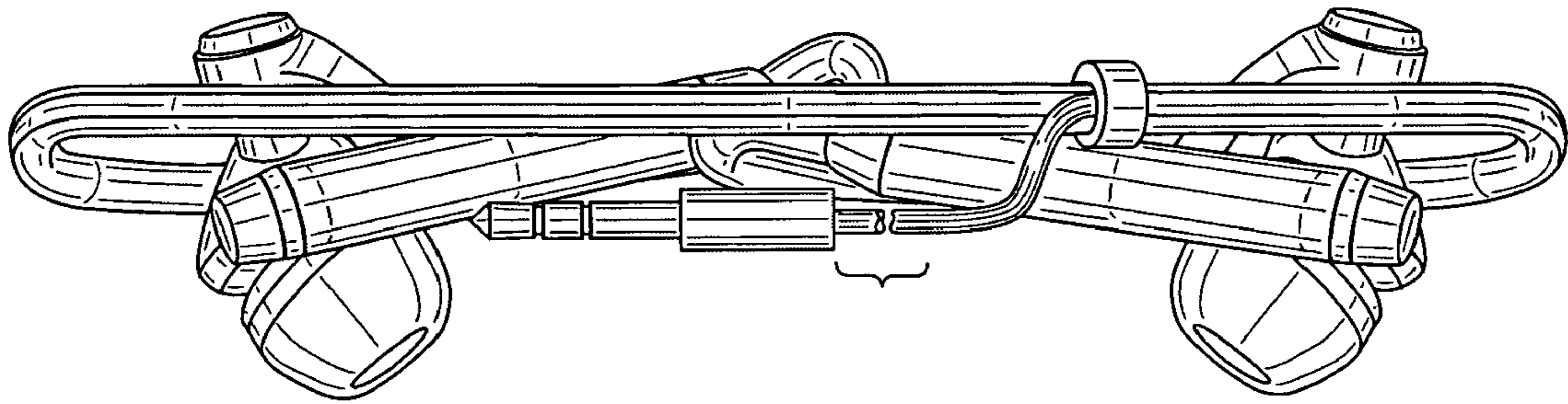


FIG.11

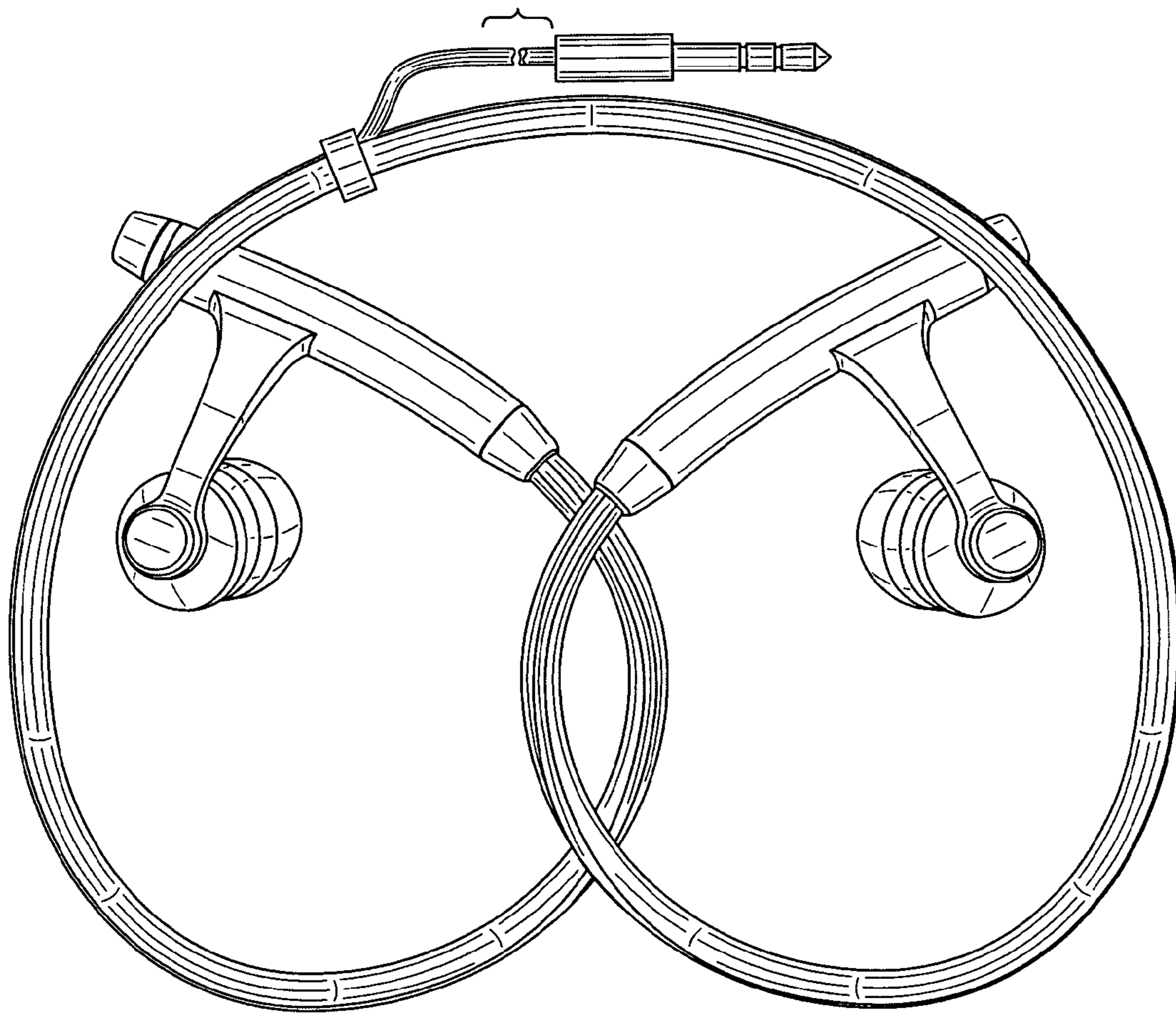


FIG.12

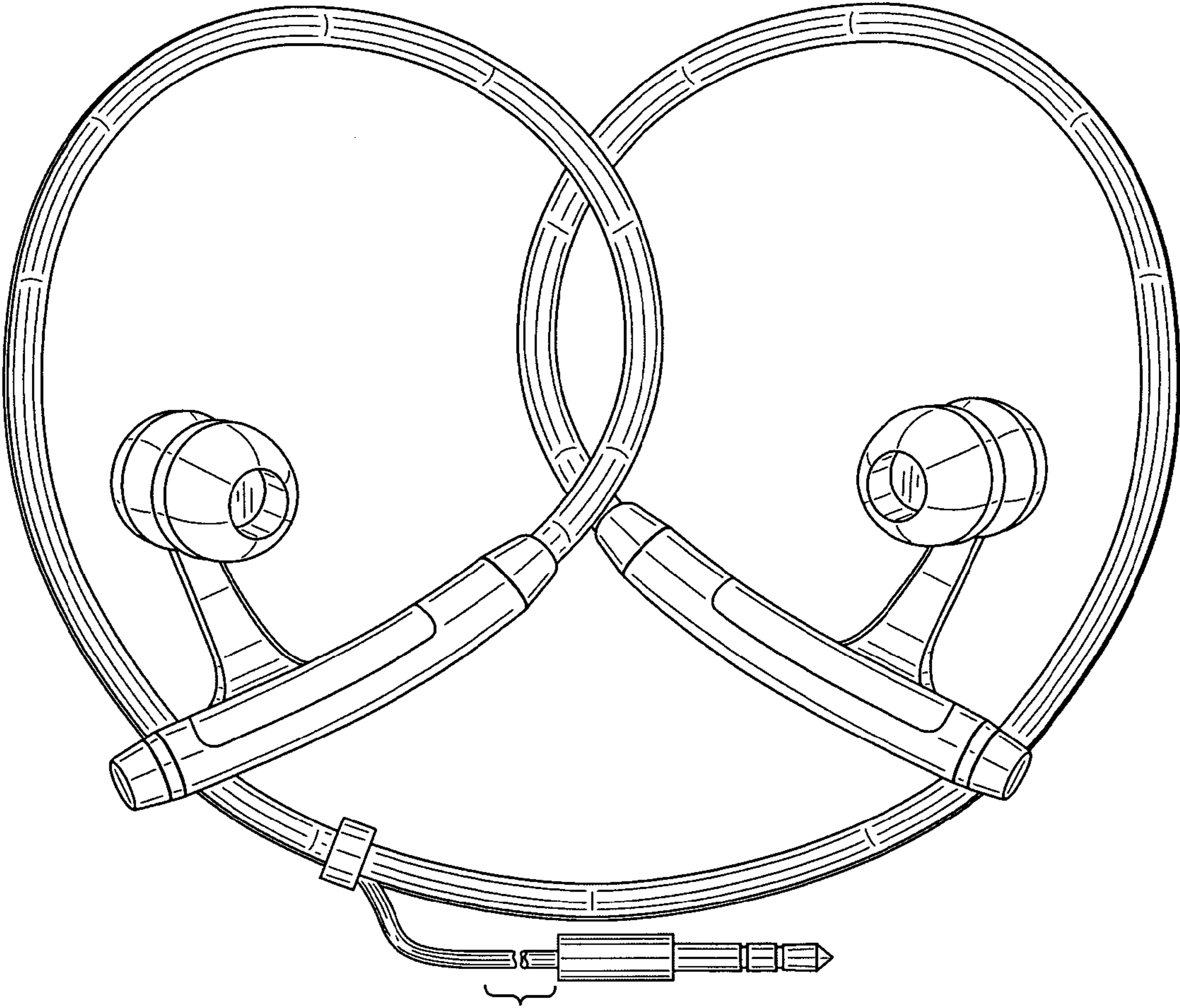


FIG.13

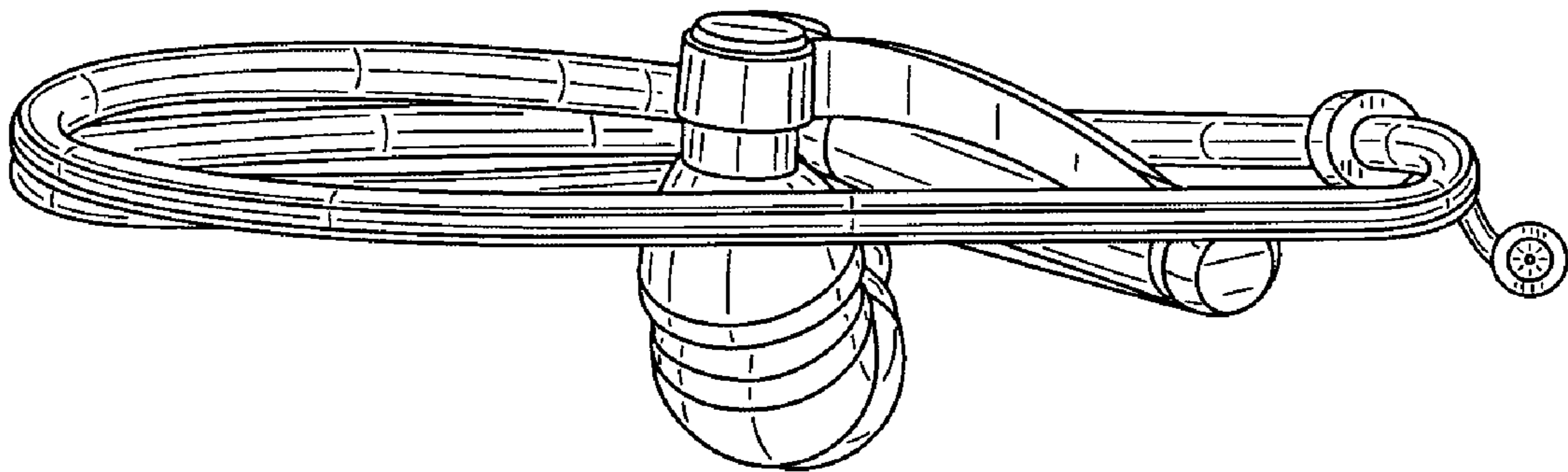


FIG.14

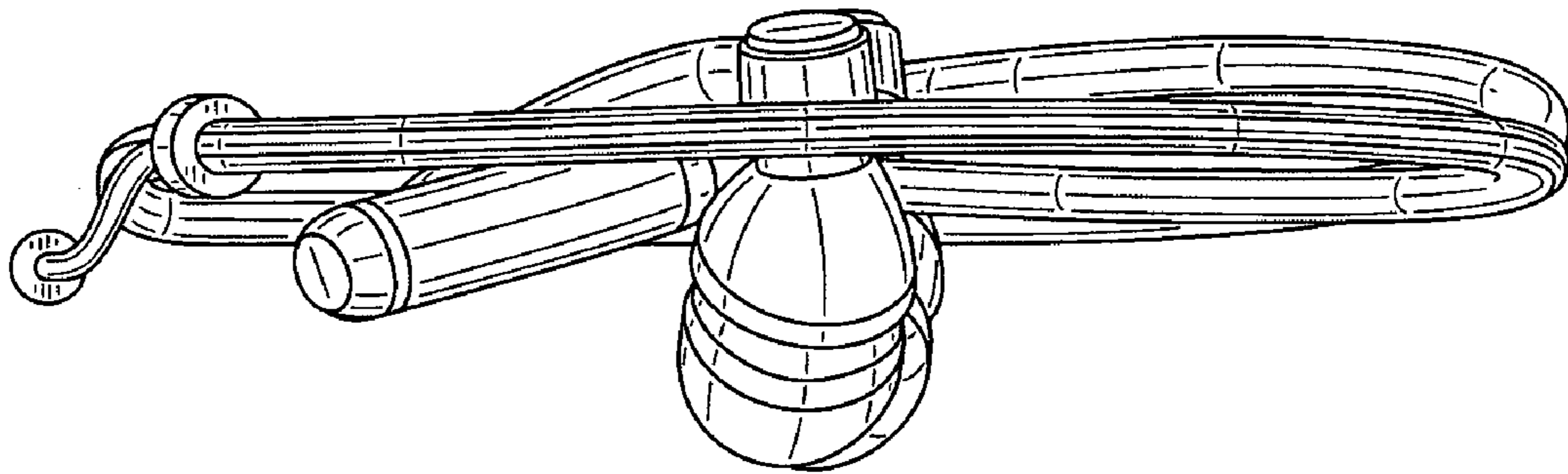
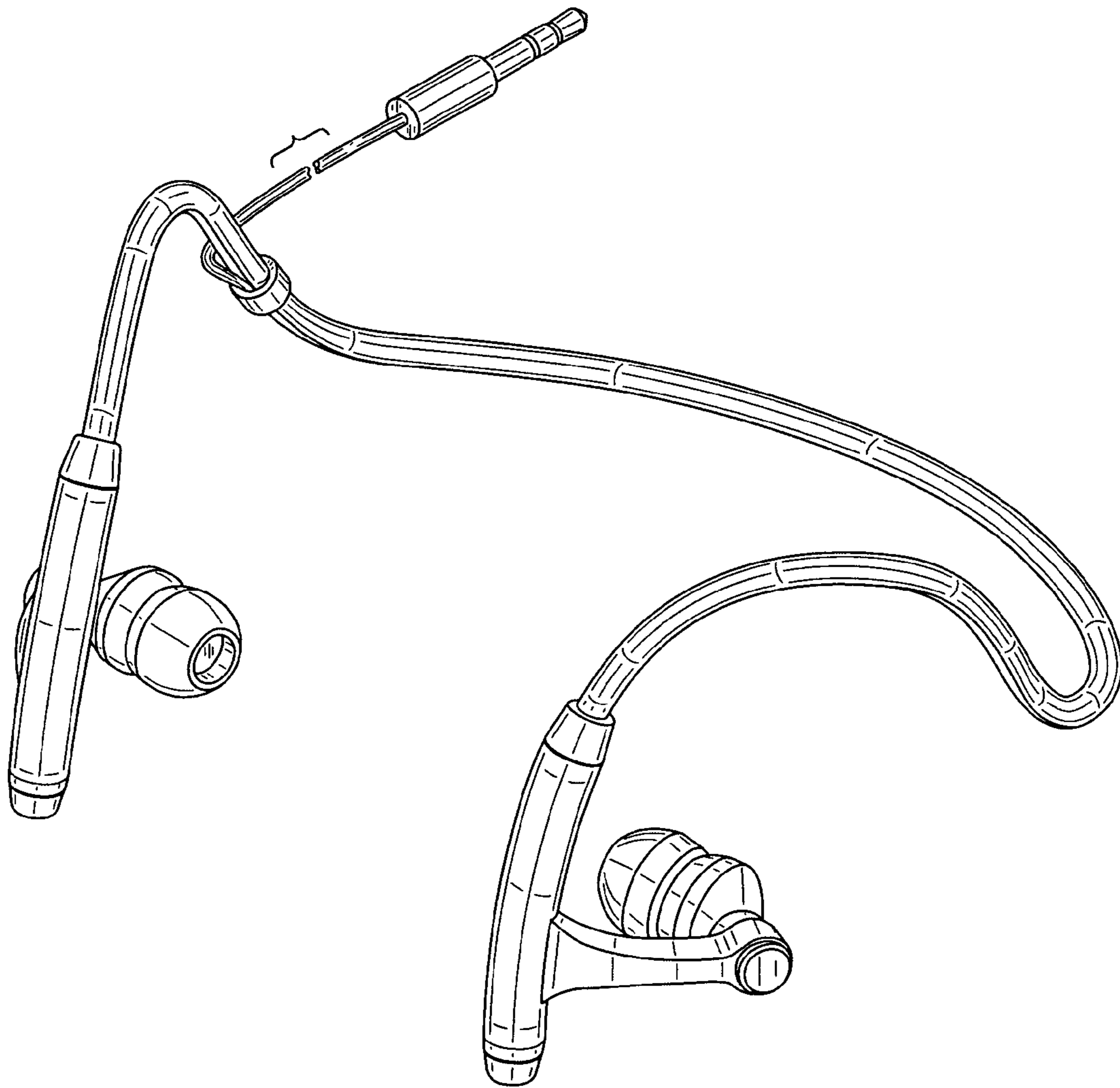


FIG.15



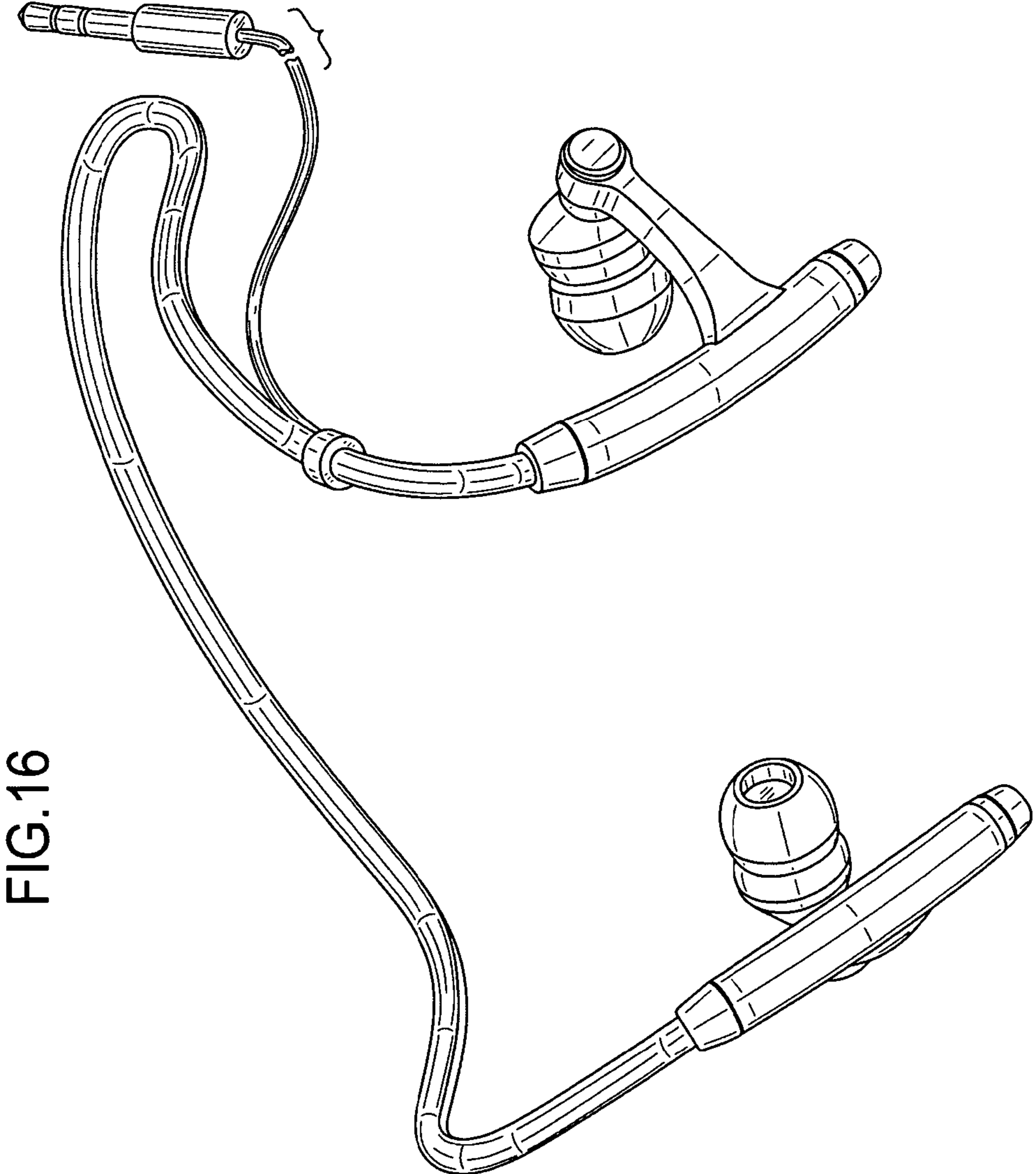


FIG.16