



US00D587675S

(12) **United States Design Patent**  
**Xie**

(10) **Patent No.:** **US D587,675 S**

(45) **Date of Patent:** **\*\* Mar. 3, 2009**

(54) **MULTIMEDIA SPEAKER**

(75) Inventor: **Xiaoguang Xie**, Beijing (CN)

(73) Assignee: **Beijing Edifier Technology Co., Ltd.**,  
Beijing (CN)

(\*\*) Term: **14 Years**

(21) Appl. No.: **29/299,566**

(22) Filed: **Dec. 28, 2007**

(30) **Foreign Application Priority Data**

Dec. 21, 2007 (CN) ..... 2007 3 0296037

(51) **LOC (9) Cl.** ..... **14-01**

(52) **U.S. Cl.** ..... **D14/172; D14/214; D14/168**

(58) **Field of Classification Search** ..... D14/204,  
D14/209-217, 170-172, 496, 168, 194, 198;  
181/143-144, 147-148, 150, 157, 198-199,  
181/151, 153; 381/300-302, 306, 333, 345,  
381/361-364, 386-388, 332, 336; 320/107,  
320/114

See application file for complete search history.

(56) **References Cited**

**U.S. PATENT DOCUMENTS**

D422,590 S \* 4/2000 Kloss ..... D14/198

D430,135 S \* 8/2000 Isonaga ..... D14/168

D523,419 S \* 6/2006 Joseph ..... D14/214

D553,611 S \* 10/2007 Gan ..... D14/214

\* cited by examiner

*Primary Examiner*—Nanda Bondade

(74) *Attorney, Agent, or Firm*—Workman Nydegger

(57) **CLAIM**

The ornamental design for a multimedia speaker, as shown and described.

**DESCRIPTION**

FIG. 1 is a front elevation view of the multimedia speaker of the present design;

FIG. 2 is a rear elevation view thereof;

FIG. 3 is a left side view thereof;

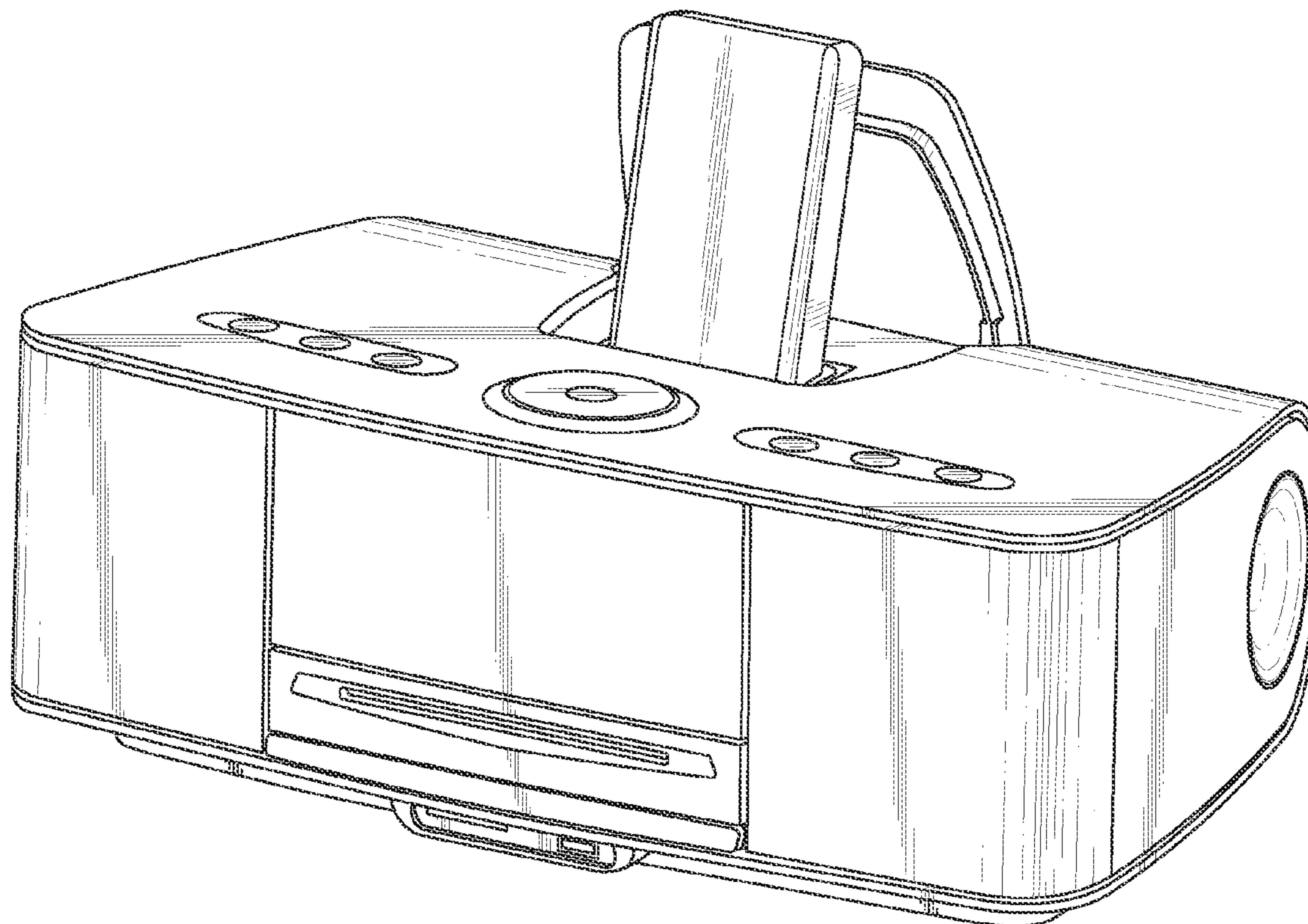
FIG. 4 is a right side view thereof;

FIG. 5 is a top plan view thereof;

FIG. 6 is a bottom plan view thereof; and,

FIG. 7 is a perspective view thereof.

**1 Claim, 4 Drawing Sheets**



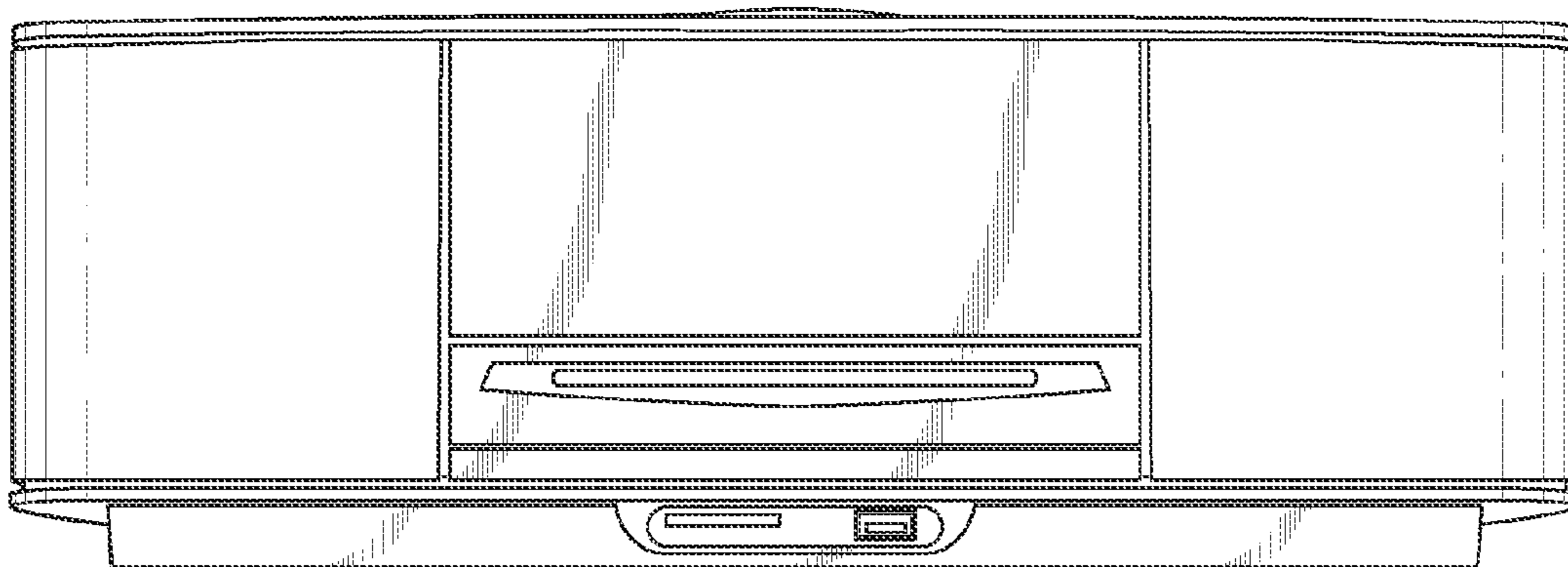


FIG. 1

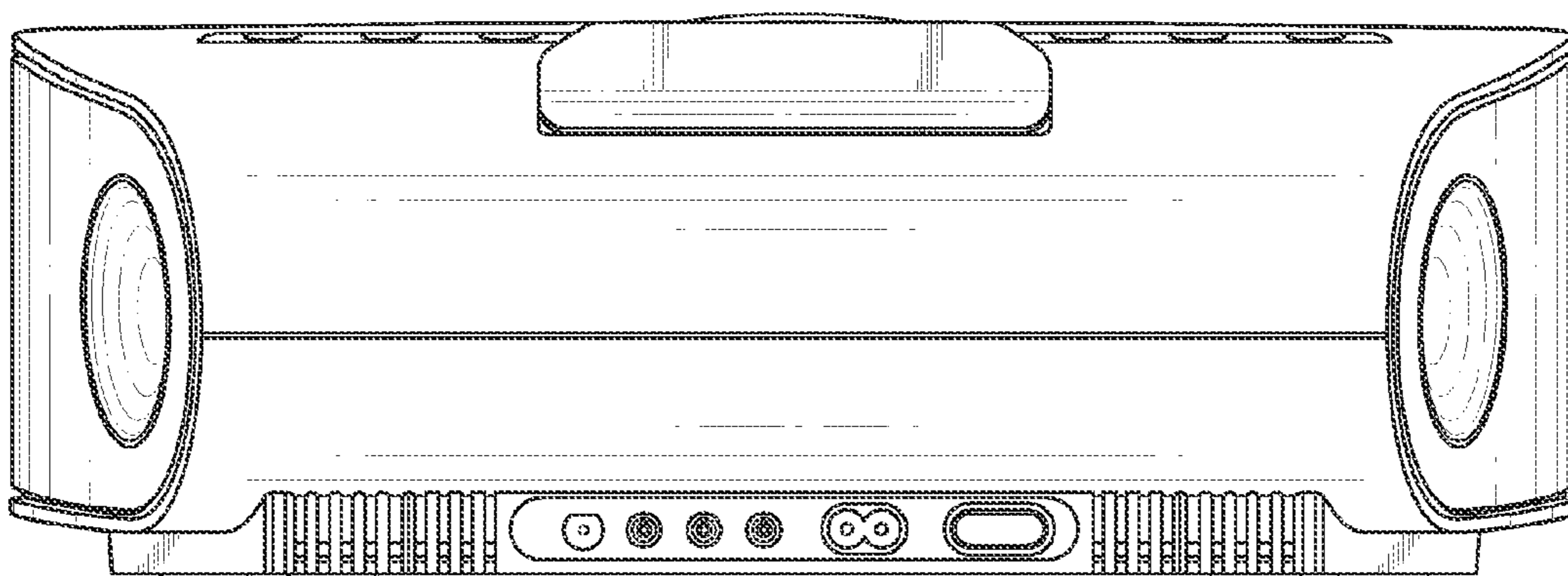


FIG. 2

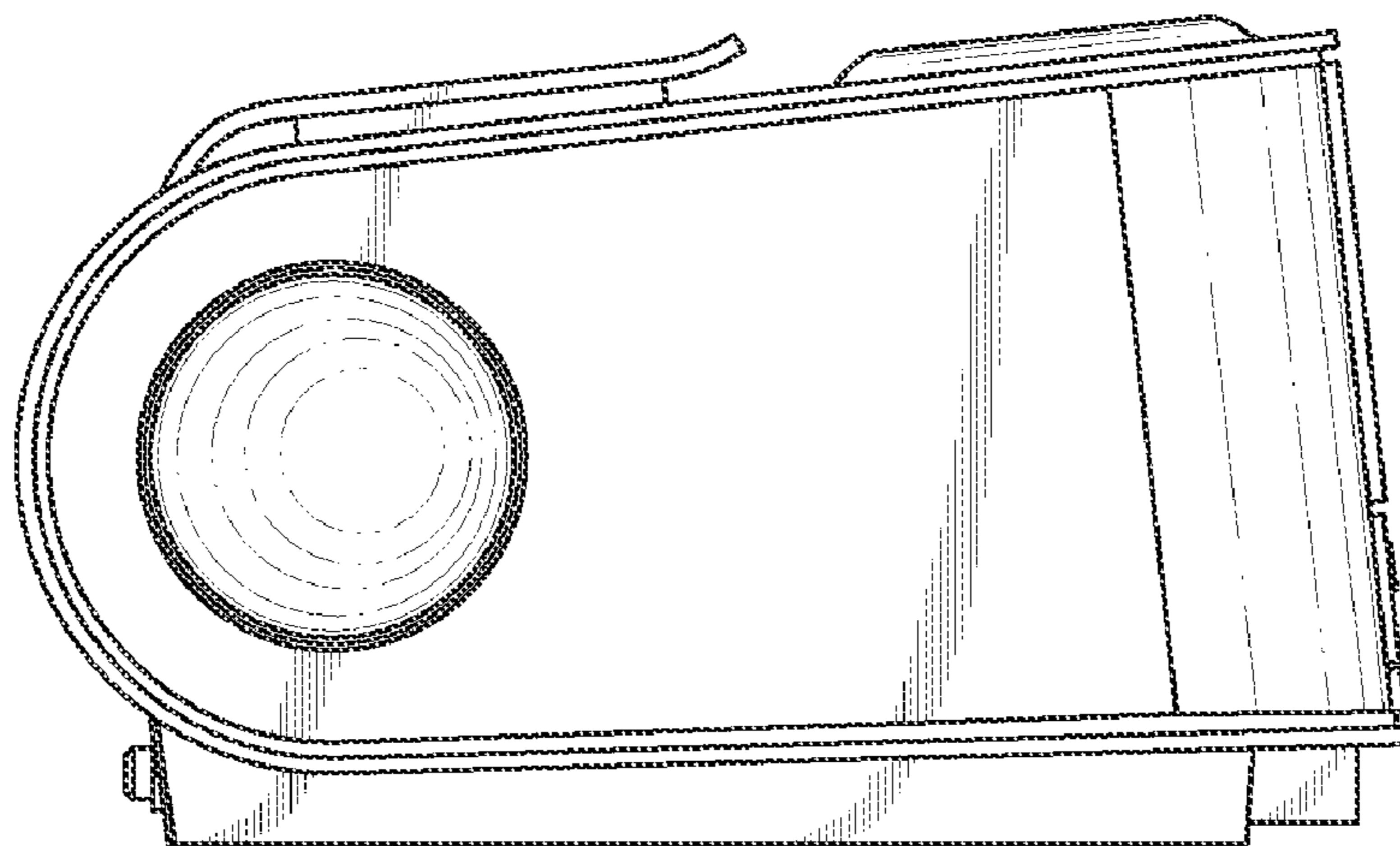


FIG. 3

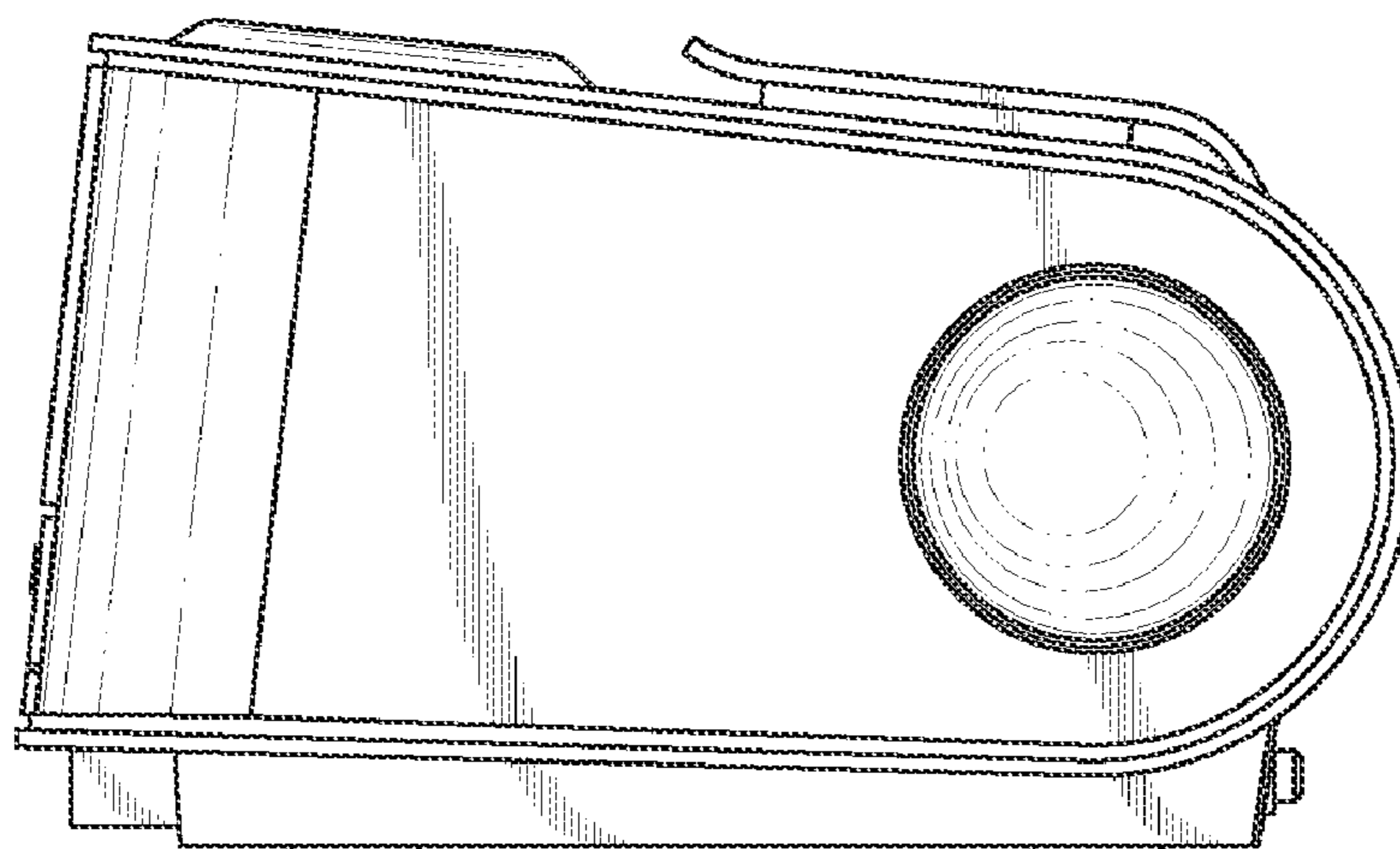


FIG. 4

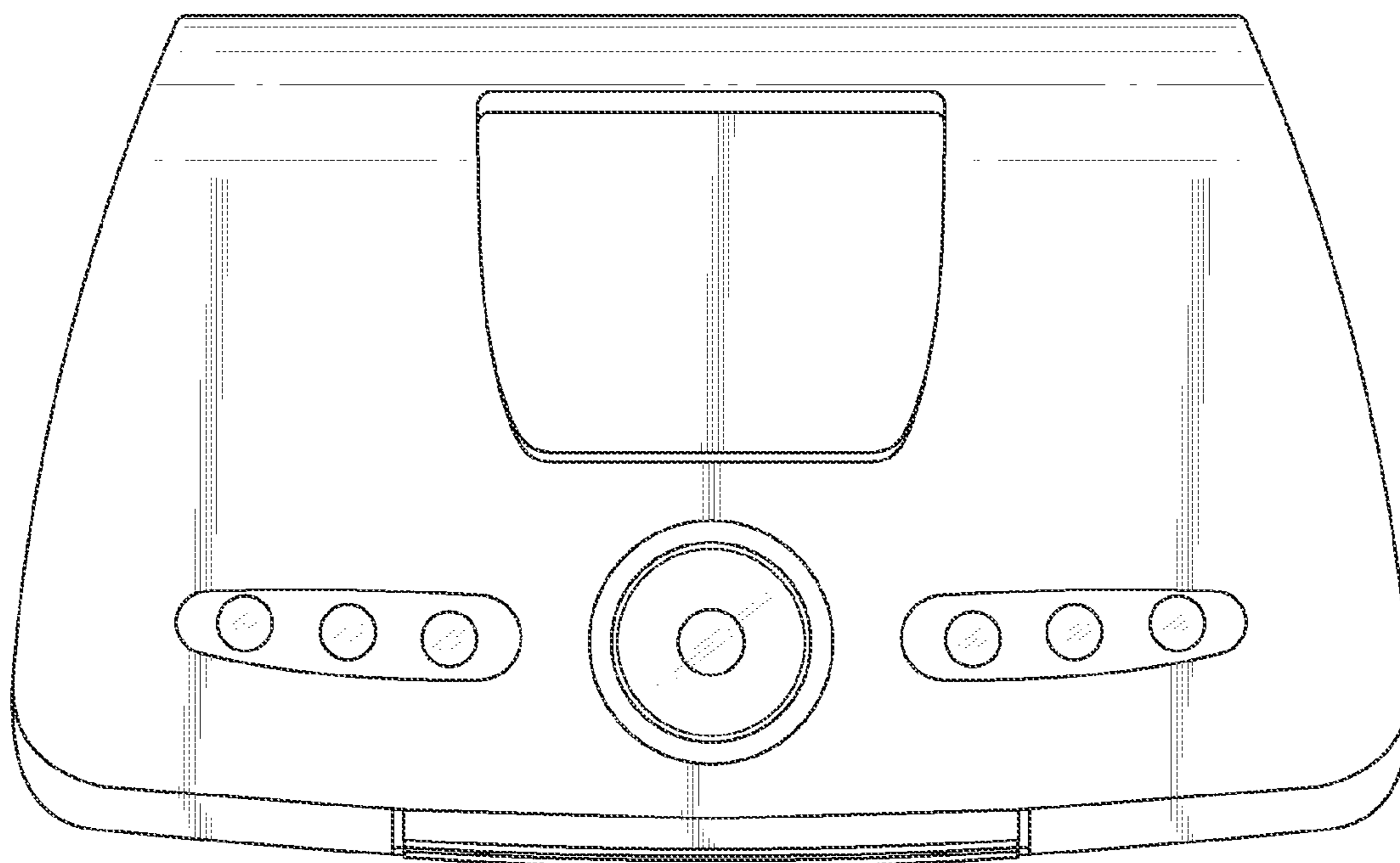


FIG. 5

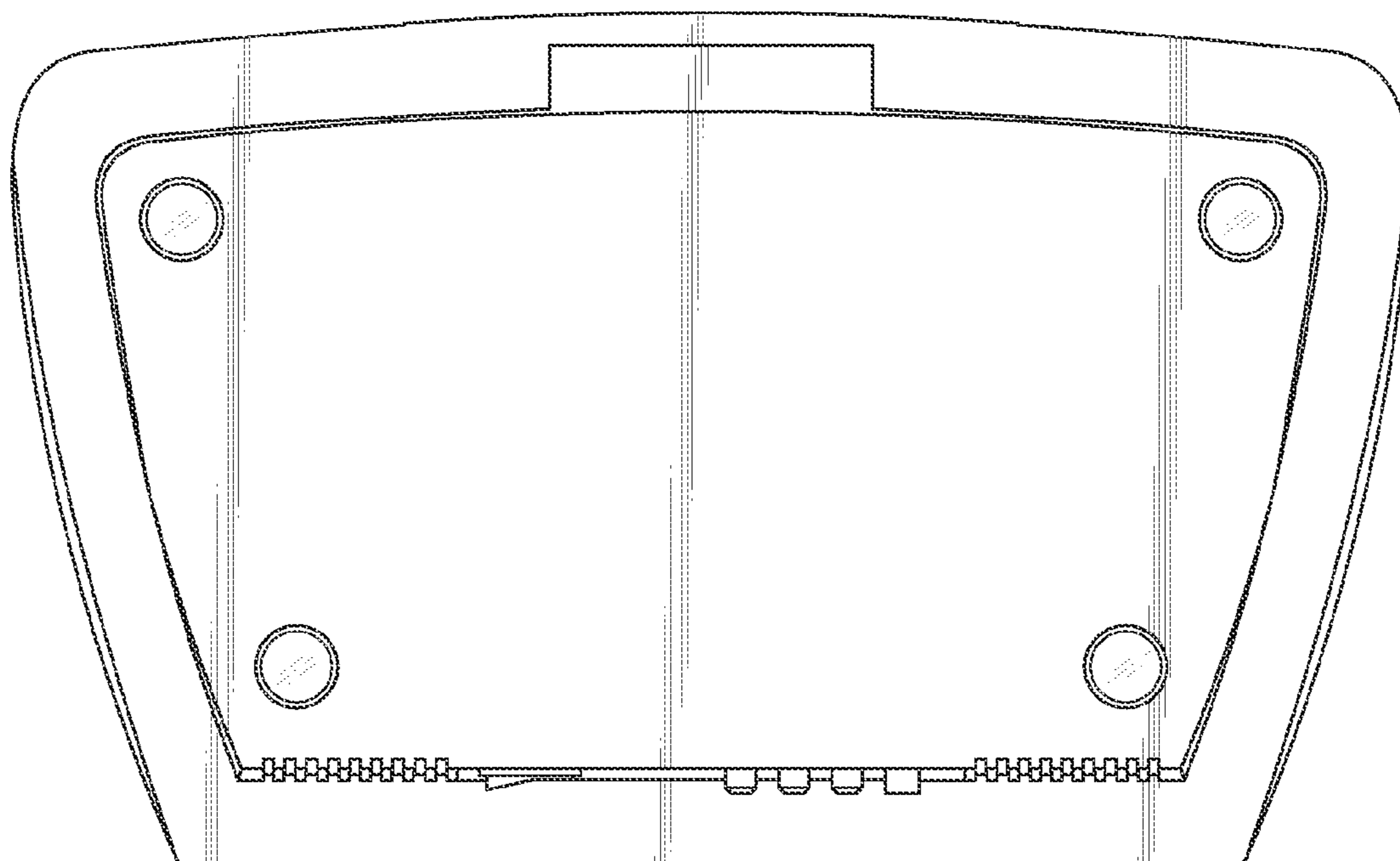


FIG. 6

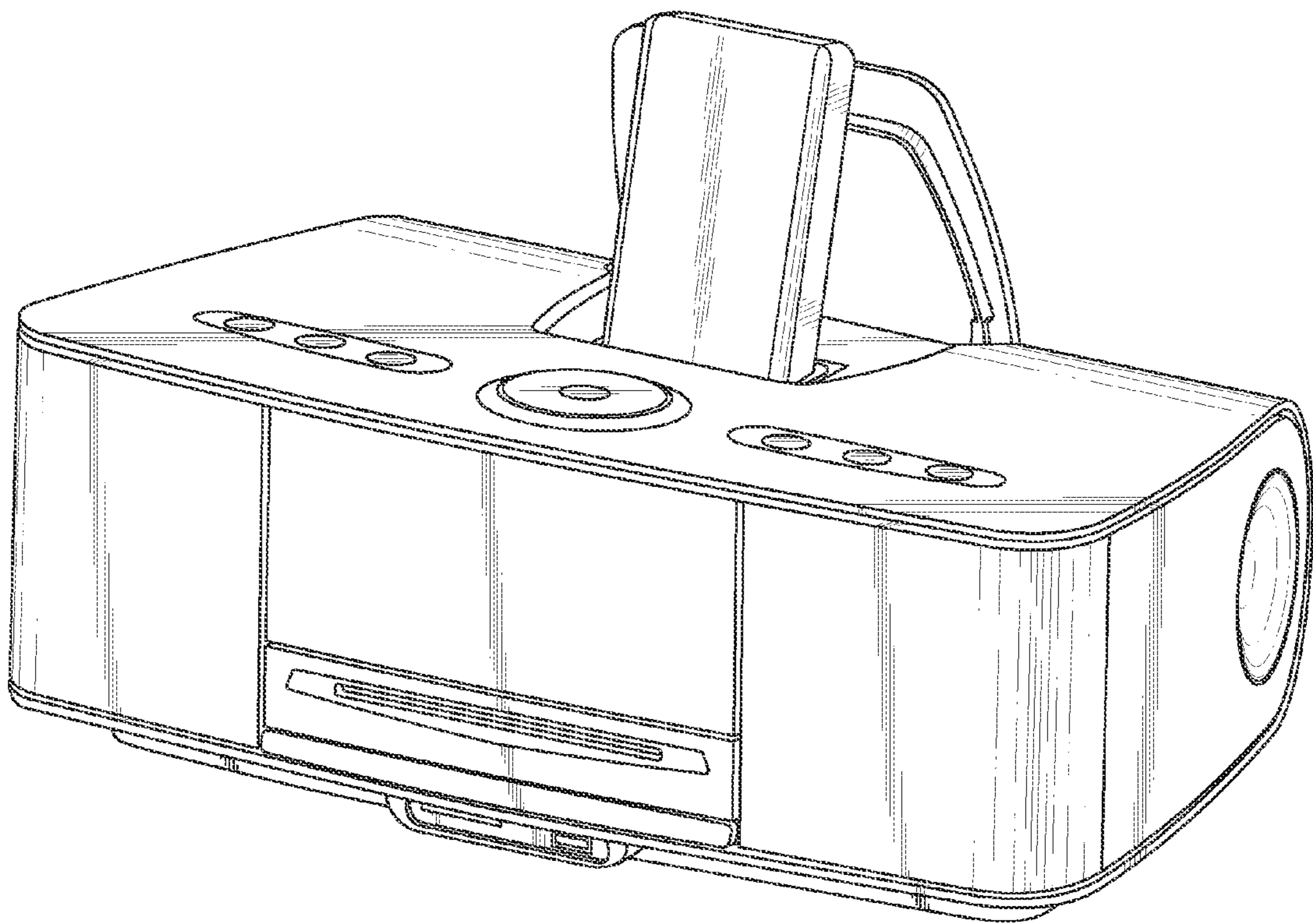


FIG. 7