



US00D587674S

(12) **United States Design Patent**
Uehara et al.

(10) **Patent No.:** **US D587,674 S**
(45) **Date of Patent:** **** Mar. 3, 2009**

(54) **DISC PLAYER**

(75) Inventors: **Mitsuhiro Uehara**, Tokyo (JP); **Raku Ishida**, Tokyo (JP); **Takayuki Wada**, Tokyo (JP)

(73) Assignee: **Sony Corporation**, Tokyo (JP)

(**) Term: **14 Years**

(21) Appl. No.: **29/300,779**

(22) Filed: **May 9, 2008**

Related U.S. Application Data

(63) Continuation of application No. 29/270,622, filed on Dec. 29, 2006, now Pat. No. Des. 571,348.

(30) **Foreign Application Priority Data**

Aug. 3, 2006	(JP)	D2006-020453
Aug. 3, 2006	(JP)	D2006-020457
Aug. 4, 2006	(CN)	2006 3 0122661
Aug. 4, 2006	(CN)	2006 3 0122662
Aug. 4, 2006	(CN)	2006 3 0122663
Aug. 4, 2006	(CN)	2006 3 0122664
Aug. 4, 2006	(CN)	2006 3 0122665
Aug. 4, 2006	(CN)	2006 3 0122666

(51) **LOC (9) Cl.** **14-03**

(52) **U.S. Cl.** **D14/157; D14/258**

(58) **Field of Classification Search** D14/135-136, D14/156-157, 167-168, 257-258, 198, 188, D14/217, 445; 360/99.02, 99.07; 369/75.11, 369/75.21, 77.21, 77.11; 720/612, 619, 647, 720/655; 455/344, 347-351

See application file for complete search history.

(56) **References Cited**

U.S. PATENT DOCUMENTS

D400,529 S	11/1998	Kakizaki
5,848,042 A	12/1998	Takahashi et al.
D411,996 S	7/1999	Yamazaki
D437,841 S	2/2001	Kakizaki et al.

D475,691 S	6/2003	Nishii et al.
D483,731 S	12/2003	Yoshihara
D496,648 S	9/2004	Uehara
D526,631 S *	8/2006	Yoshihara D14/136
D528,088 S	9/2006	Suzuki
D537,055 S *	2/2007	Endo et al. D14/136
D538,776 S	3/2007	Suzuki
D542,261 S	5/2007	Uehara et al.

* cited by examiner

Primary Examiner—Nanda Bondade

(74) *Attorney, Agent, or Firm*—Rader, Fishman & Grauer, PLLC

(57) **CLAIM**

The ornamental design for a disc player, as shown and described.

DESCRIPTION

FIG. 1 is a perspective view of a disc player showing our new design;

FIG. 2 is a front elevational view thereof;

FIG. 3 is a rear elevational view thereof;

FIG. 4 is a left side elevational view thereof;

FIG. 5 is a right side elevational view thereof;

FIG. 6 is a top plan view thereof;

FIG. 7 is a bottom plan view thereof;

FIG. 8 is a perspective view of a second embodiment of FIG. 1;

FIG. 9 is a front elevational view thereof;

FIG. 10 is a rear elevational view thereof;

FIG. 11 is a left side elevational view thereof;

FIG. 12 is a right side elevational view thereof;

FIG. 13 is a top plan view thereof;

FIG. 14 is a bottom plan view thereof;

FIG. 15 is a perspective view of a third embodiment of FIG. 1;

FIG. 16 is a front elevational view thereof;

FIG. 17 is a rear elevational view thereof;

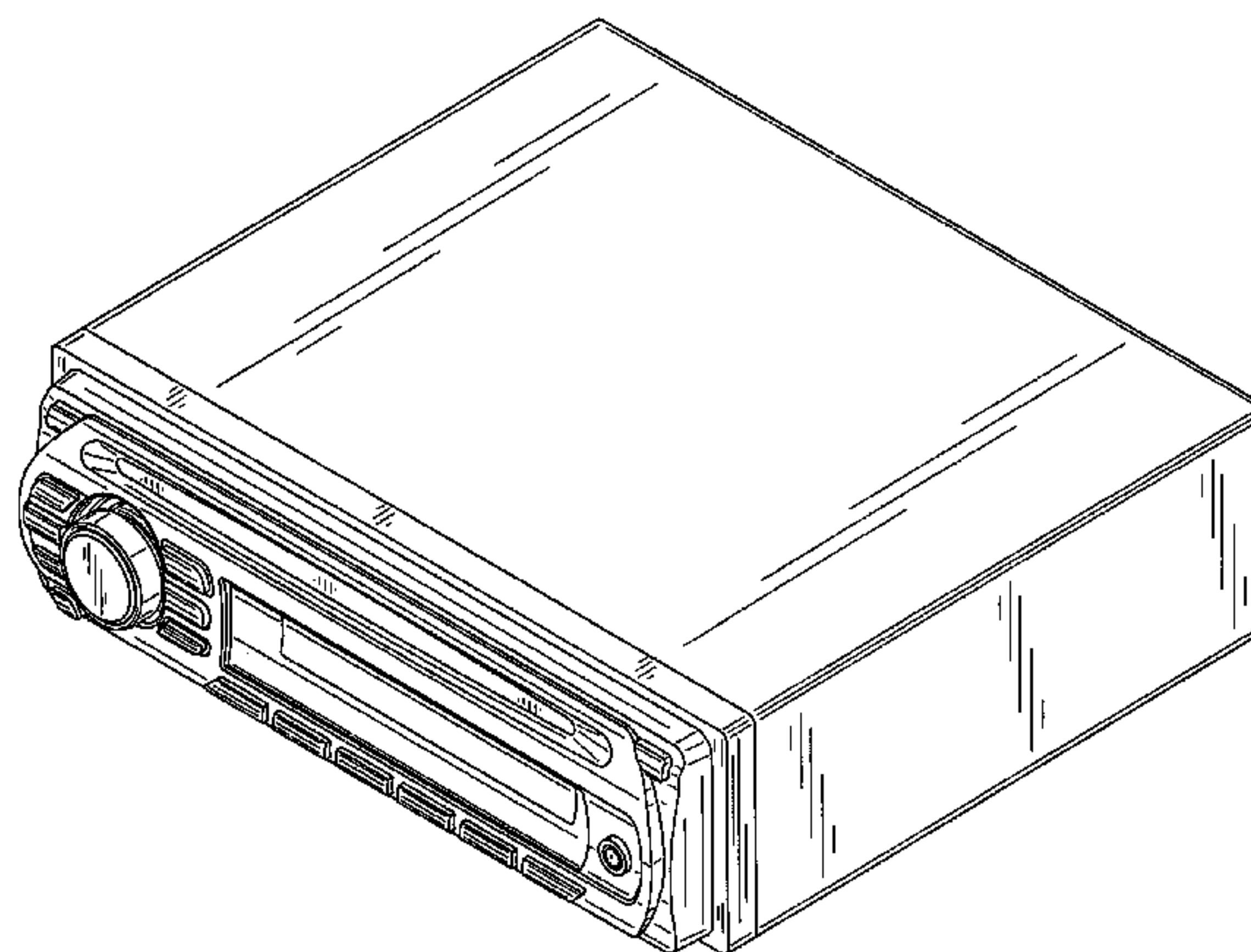
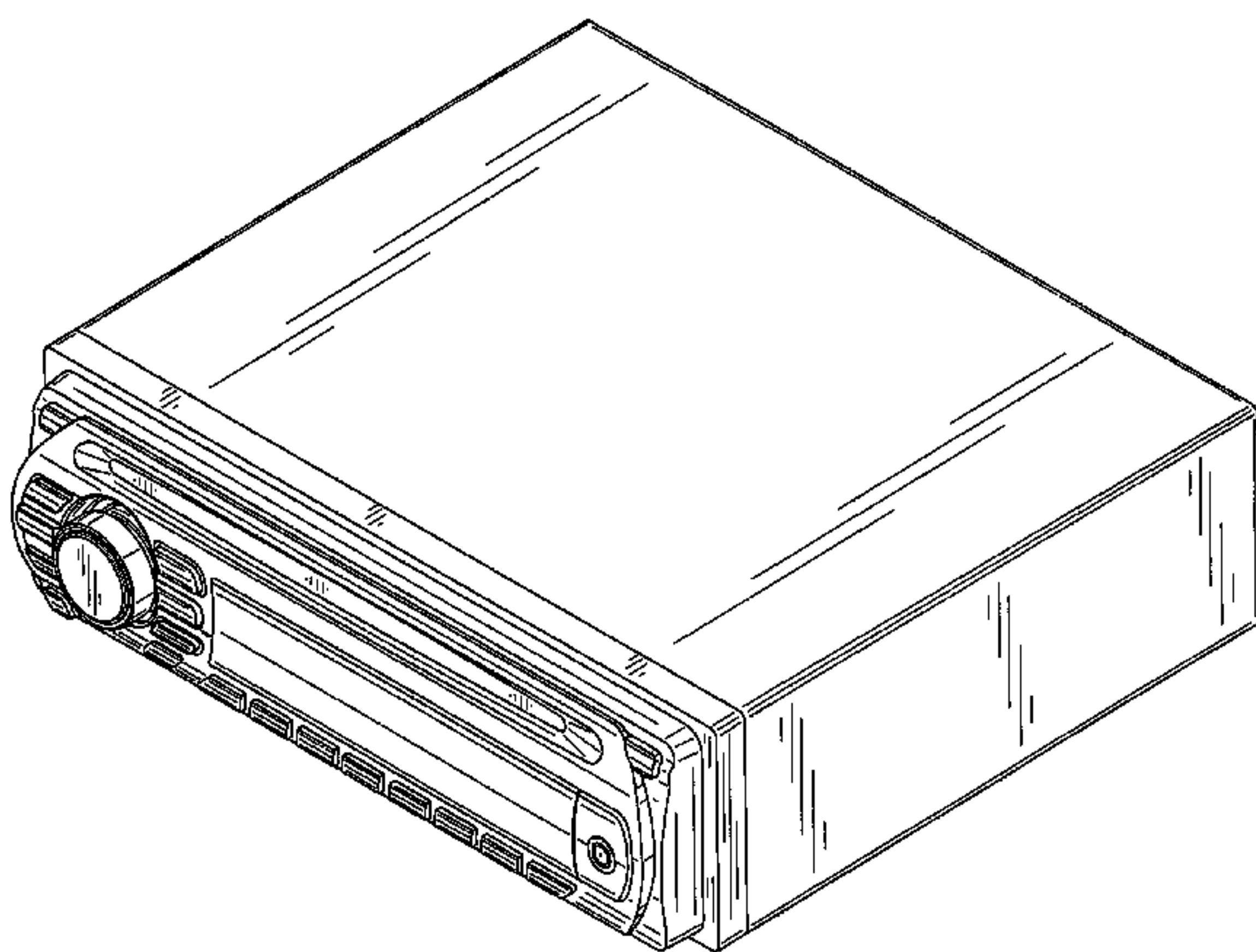


FIG. **18** is a left side elevational view thereof;
FIG. **19** is a right side elevational view thereof;
FIG. **20** is a top plan view thereof;
FIG. **21** is a bottom plan view thereof
FIG. **22** is a perspective of a fourth embodiment of FIG. **1**;
FIG. **23** is a front elevational view thereof;
FIG. **24** is a rear elevational view thereof;
FIG. **25** is a left side elevational view thereof;
FIG. **26** is a right side elevational view thereof;
FIG. **27** is a top plan view thereof;
FIG. **28** is a bottom plan view thereof;
FIG. **29** is a perspective view of a fifth embodiment of FIG. **1**;
FIG. **30** is a front elevational view thereof;
FIG. **31** is a rear elevational view thereof;
FIG. **32** is a left side elevational view thereof;

FIG. **33** is a right side elevational view thereof;
FIG. **34** is a top plan view thereof;
FIG. **35** is a bottom plan view thereof.
FIG. **36** is a perspective view of a sixth embodiment of FIG. **1**.
FIG. **37** is a front elevational view thereof;
FIG. **38** is a rear elevational view thereof;
FIG. **39** is a left side elevational view thereof;
FIG. **40** is a right side elevational view thereof;
FIG. **41** is a top plan view thereof; and,
FIG. **42** is a bottom plan view thereof.
The portions indicated in broken lines are for illustrative purposes only and form no part the claimed design.

1 Claim, 42 Drawing Sheets

FIG. 1

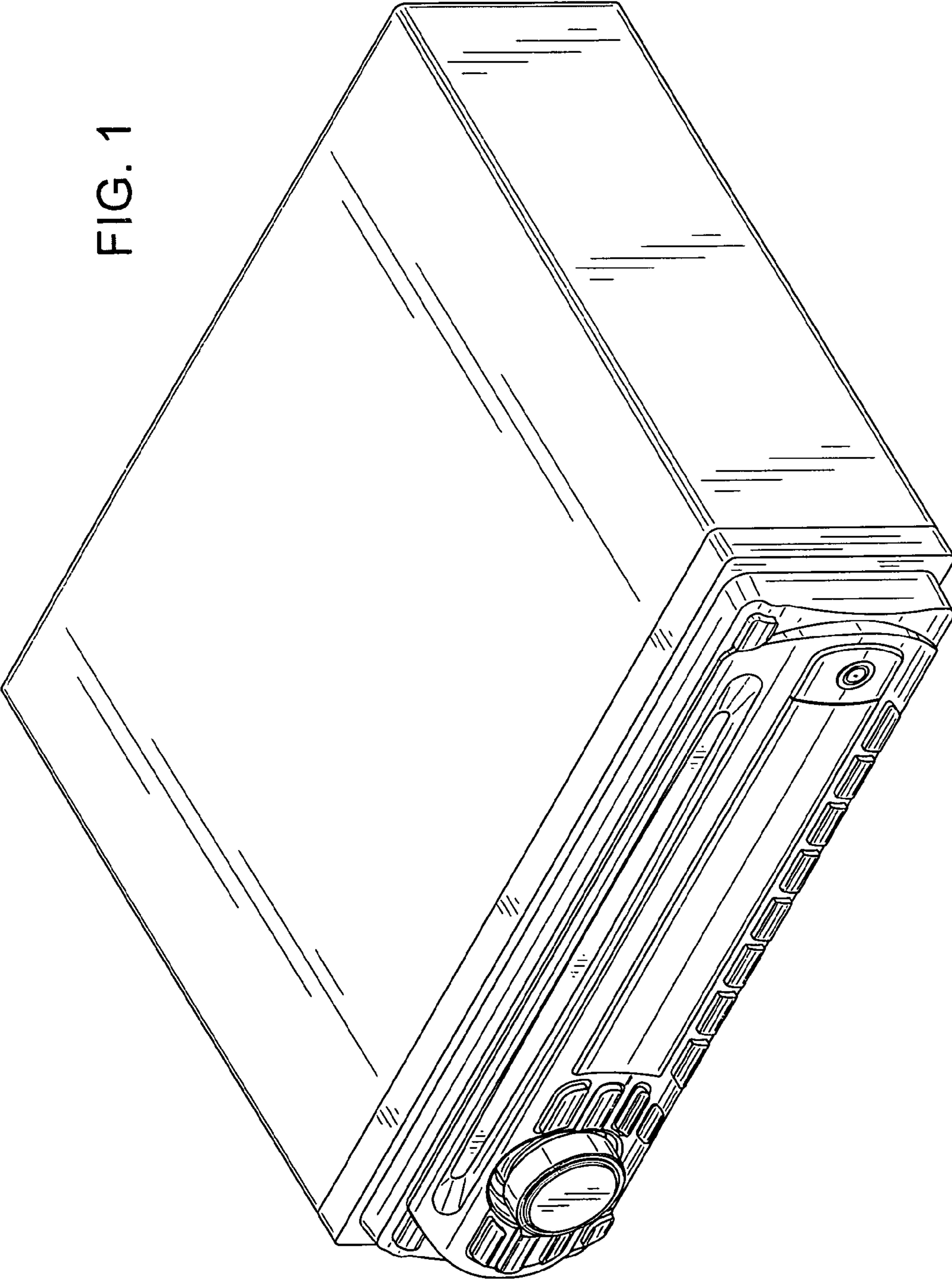


FIG. 2

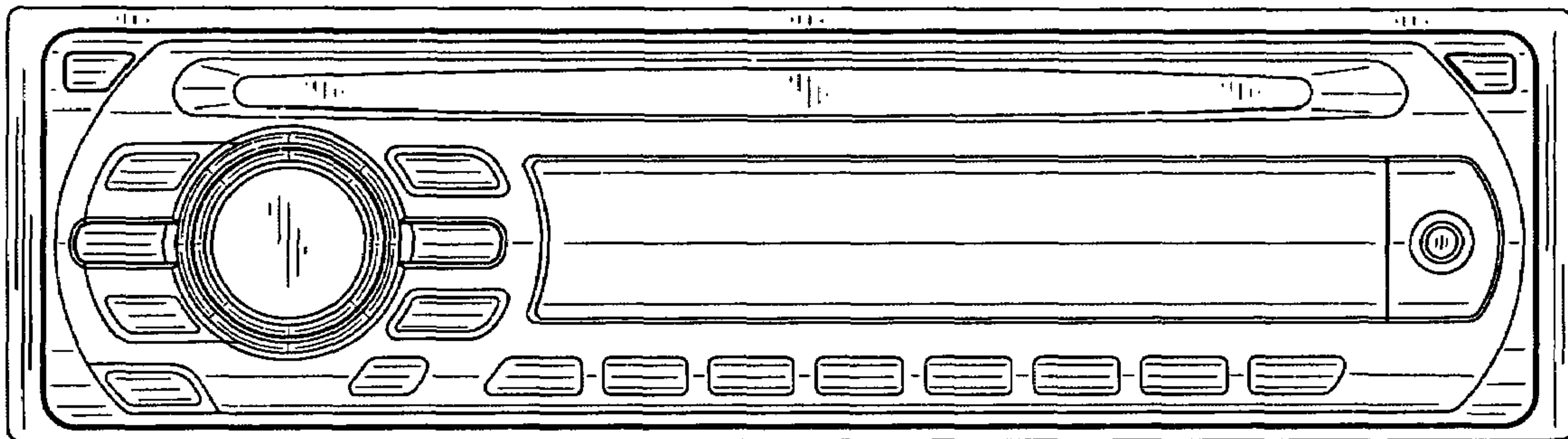


FIG. 3

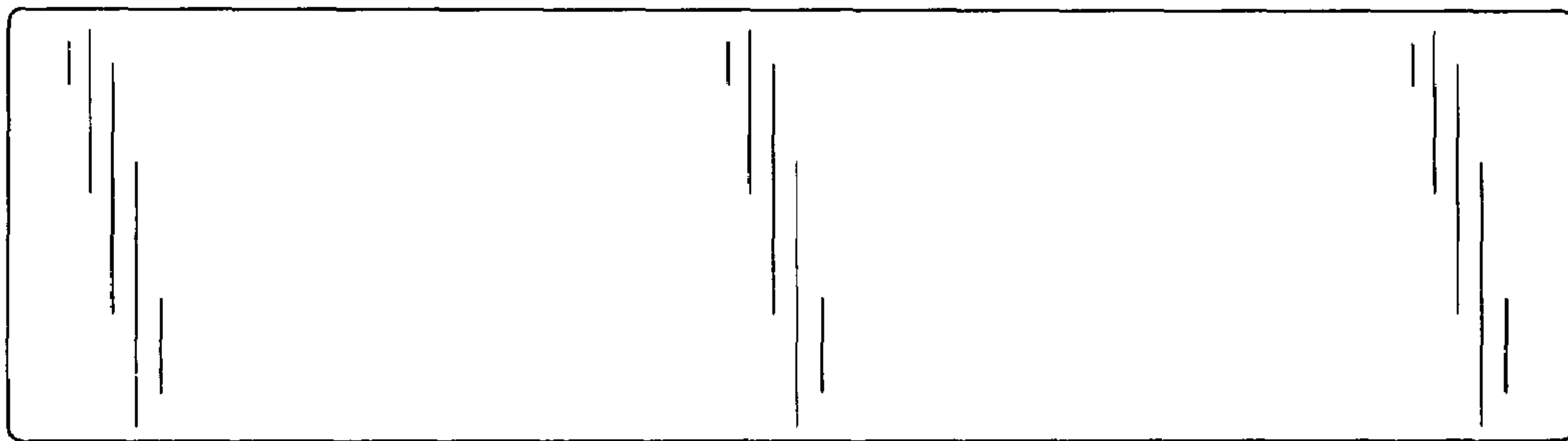


FIG. 4

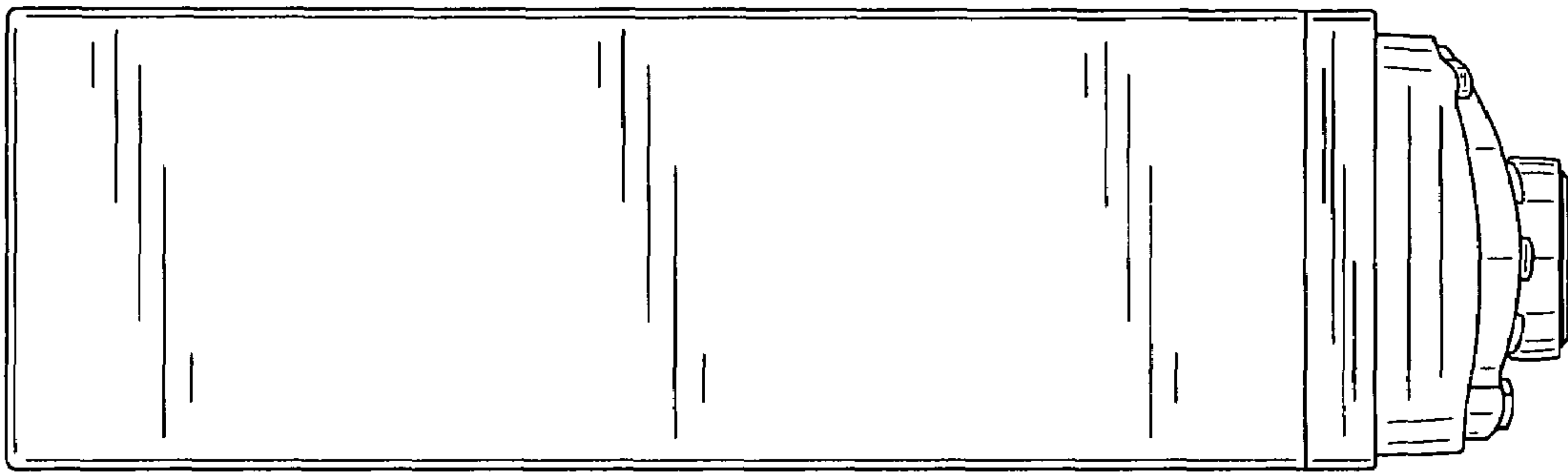


FIG. 5

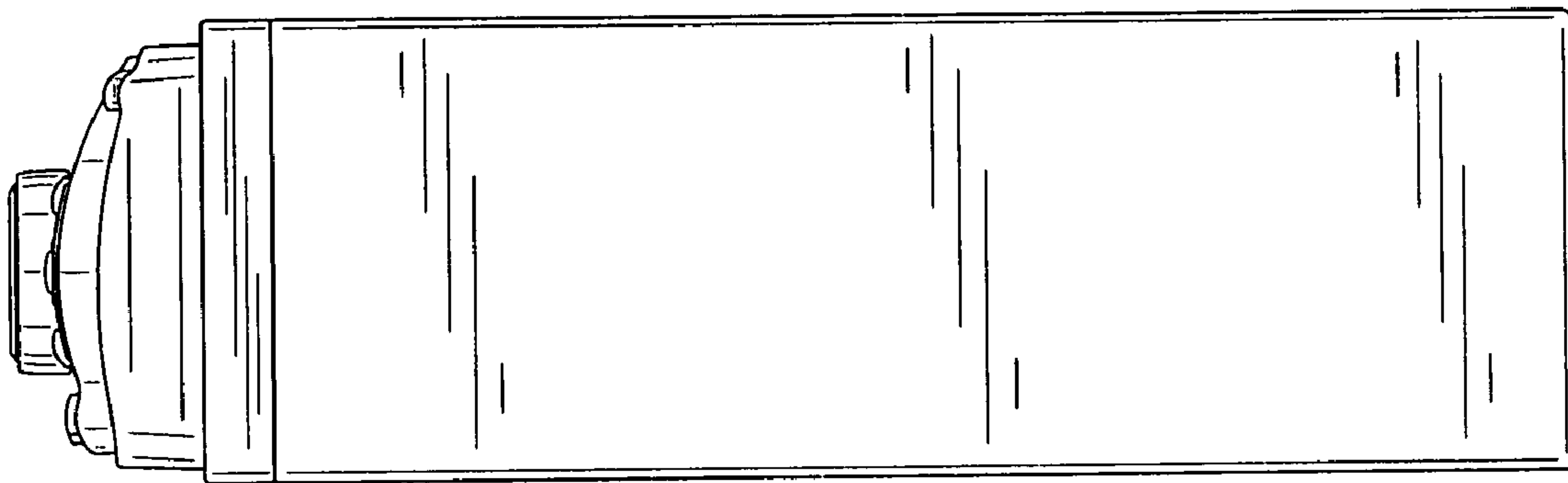


FIG. 6

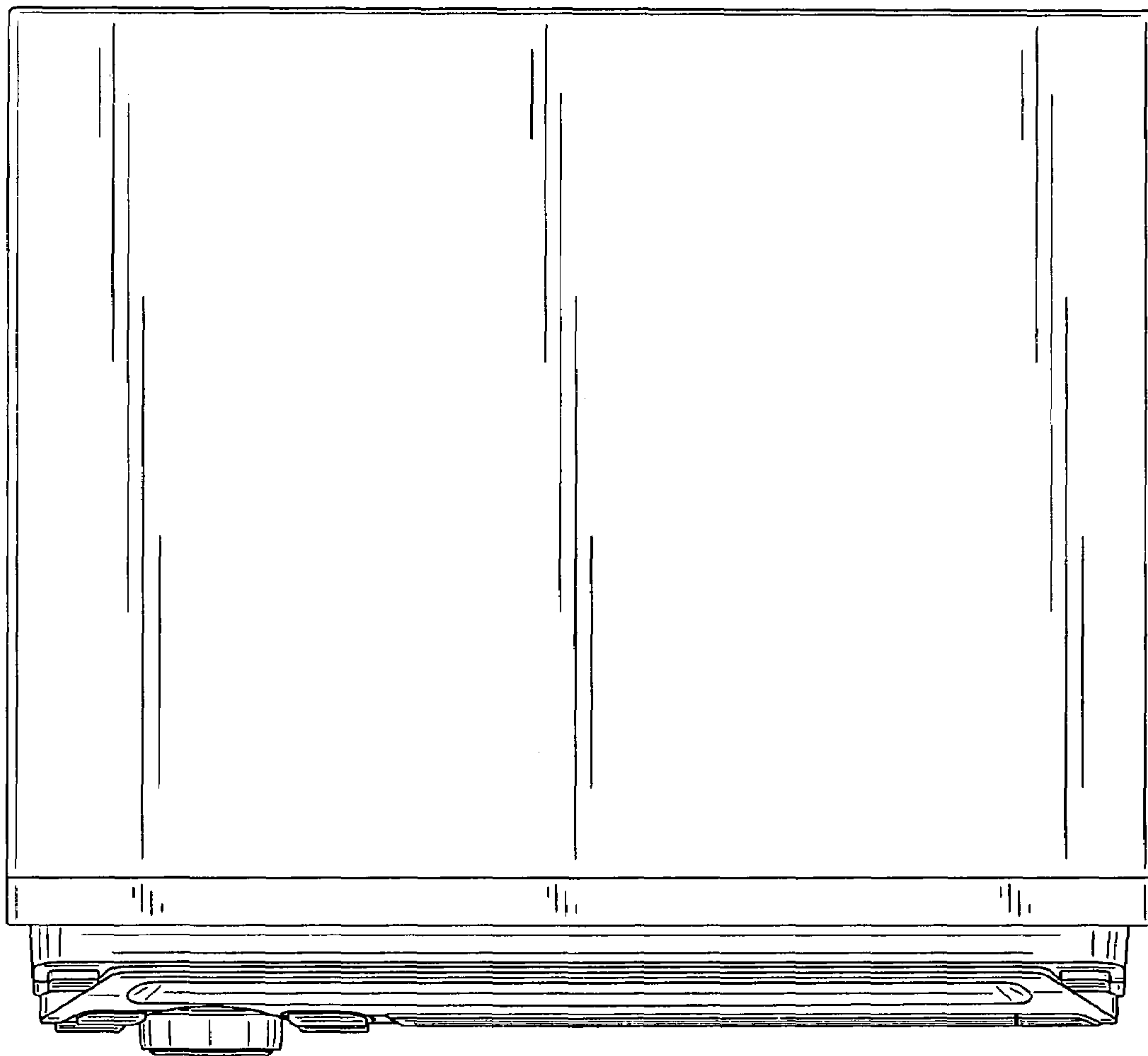


FIG. 7

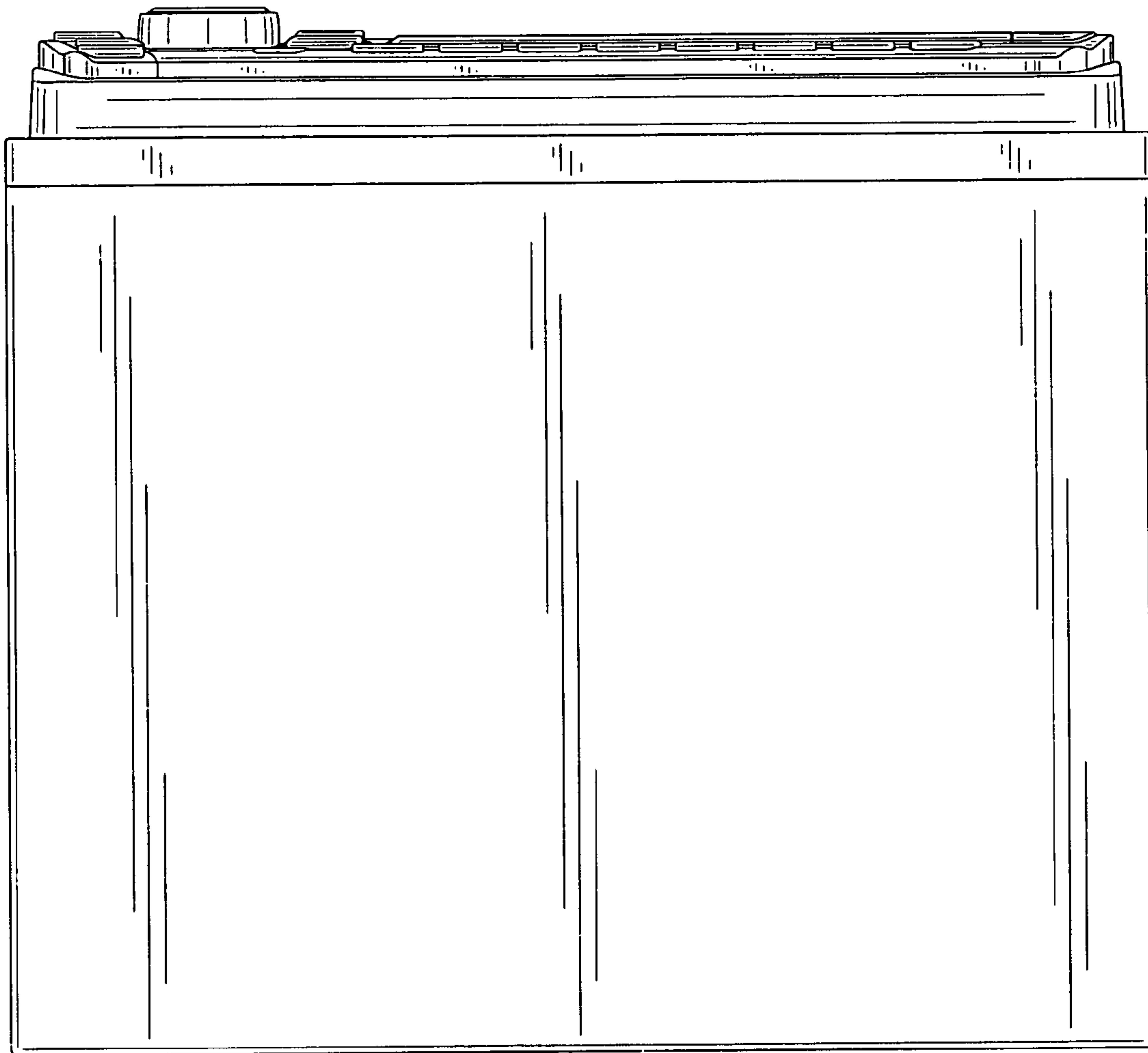


FIG. 8

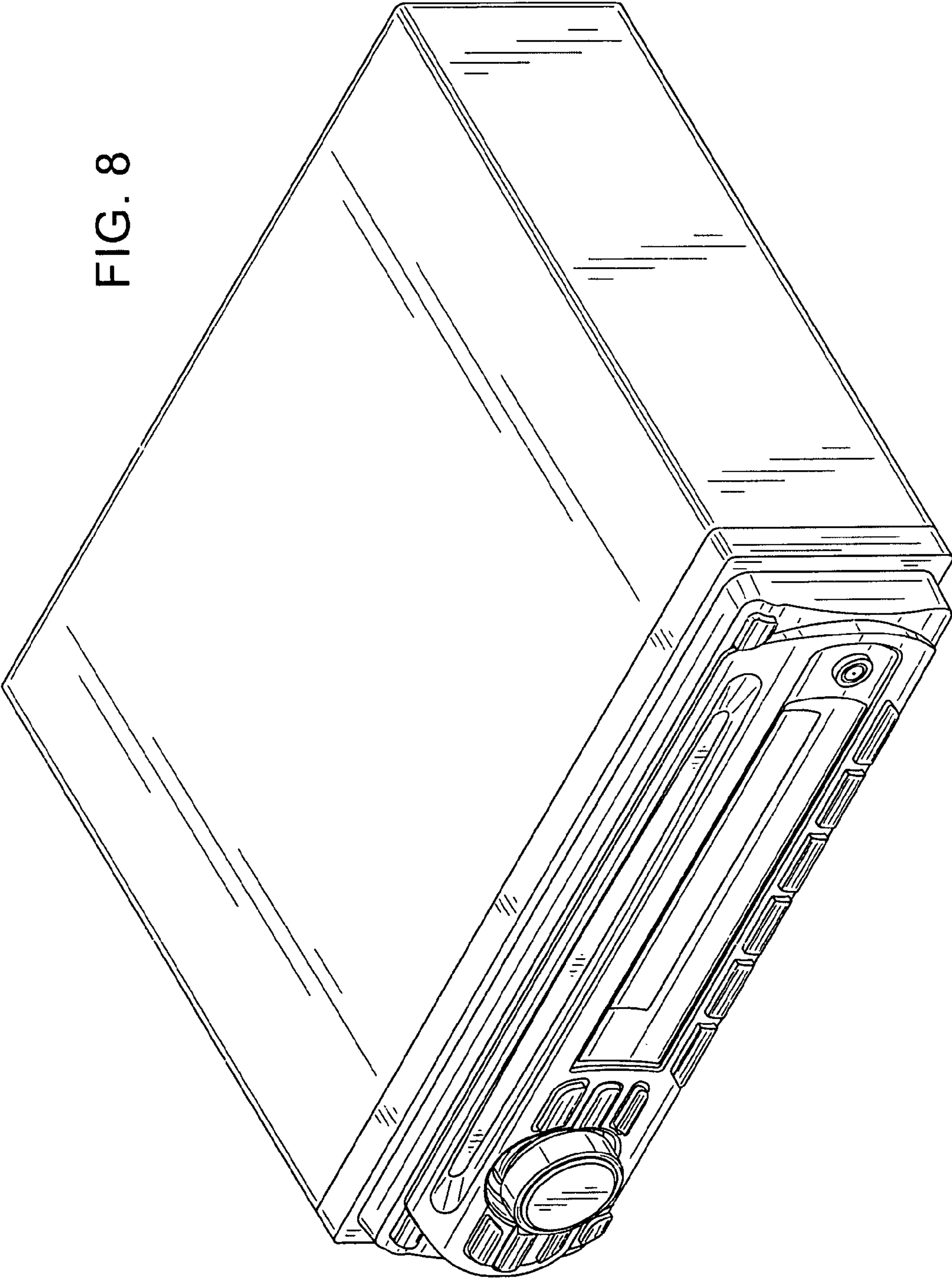


FIG. 9

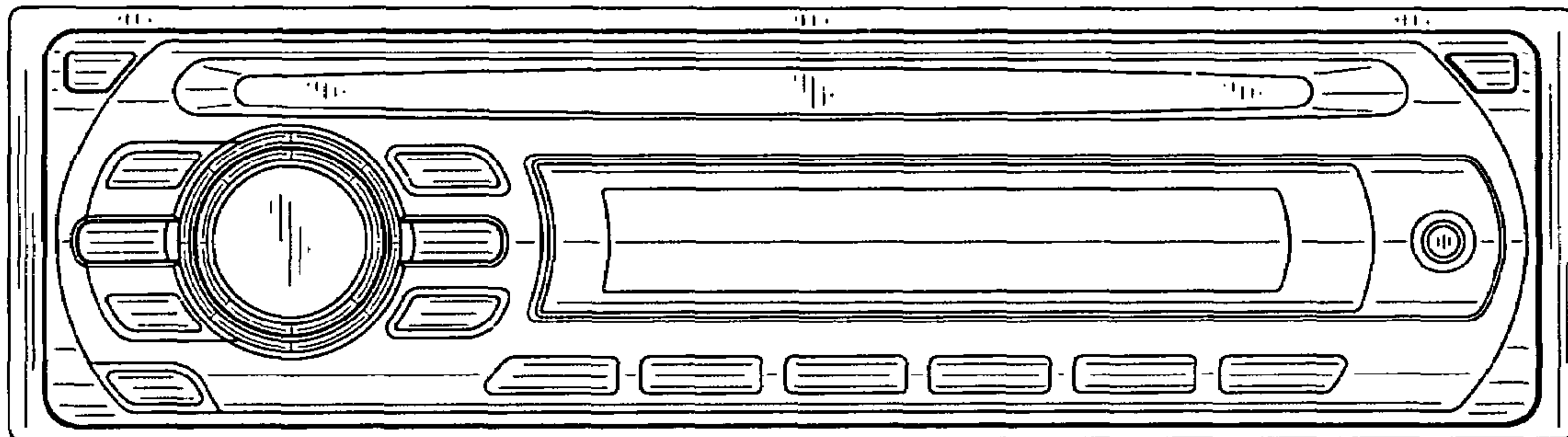


FIG. 10

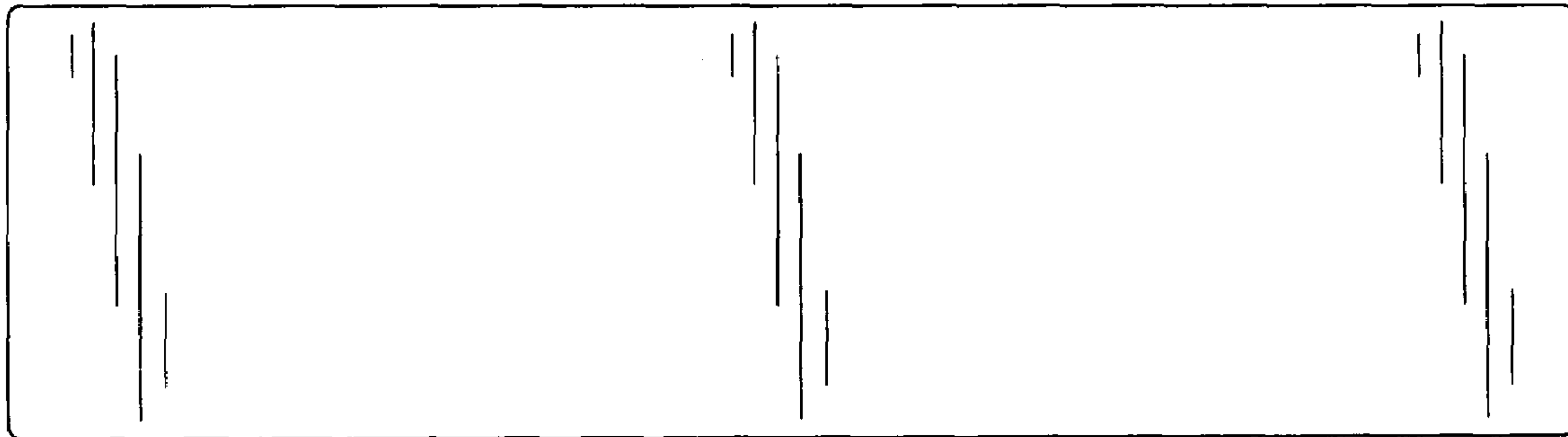


FIG. 11

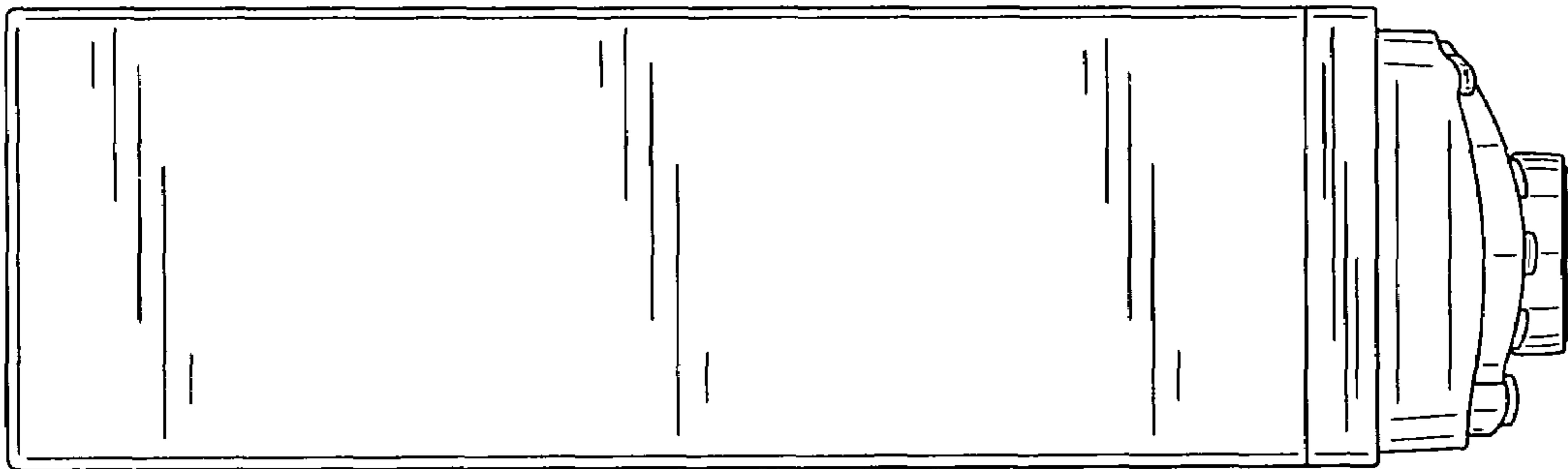


FIG. 12

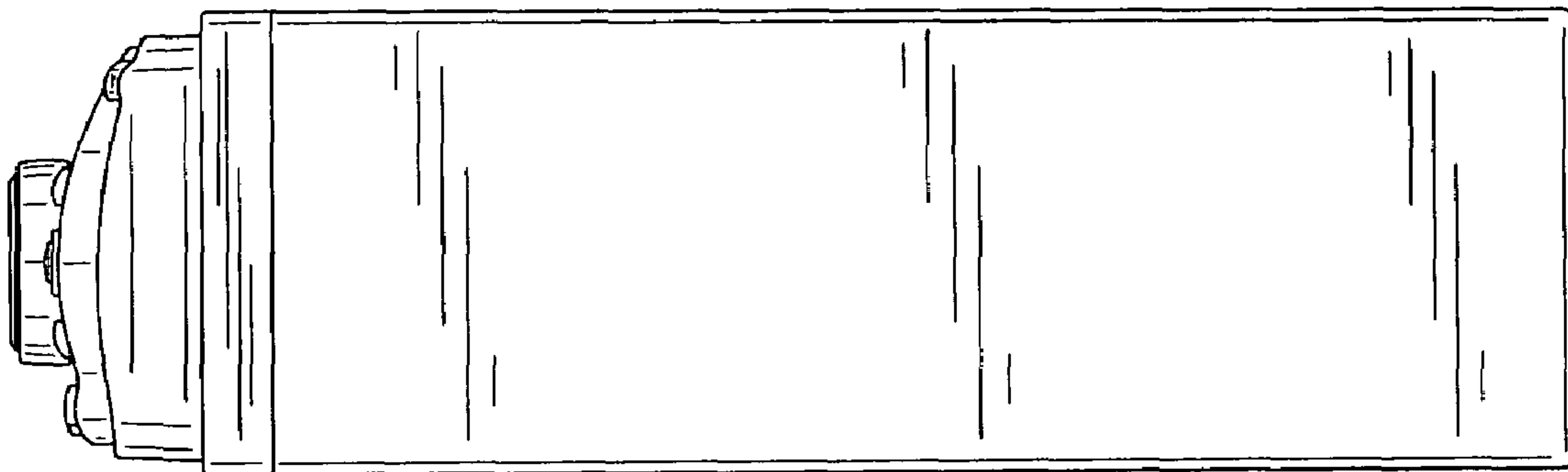


FIG. 13

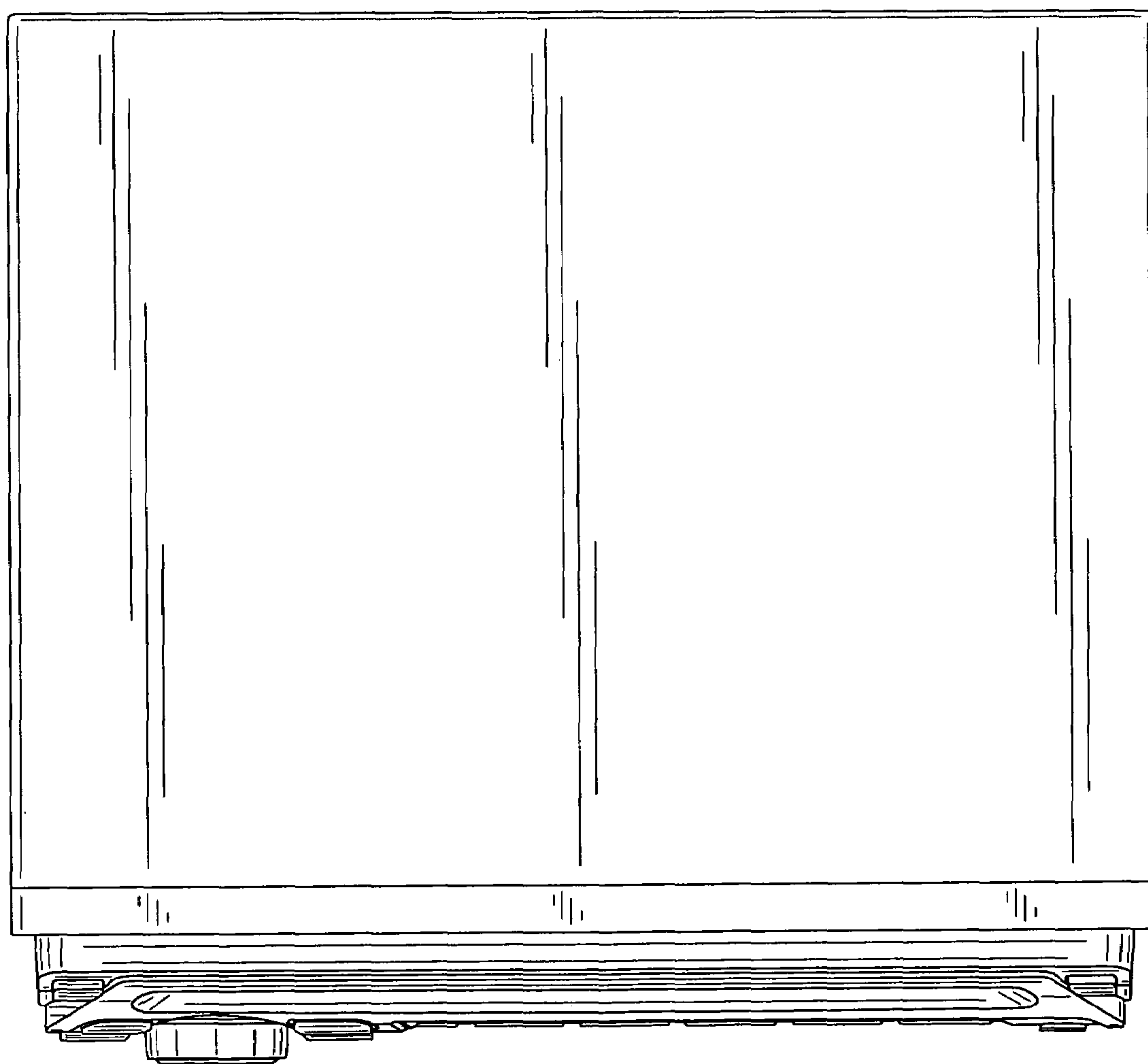


FIG. 14

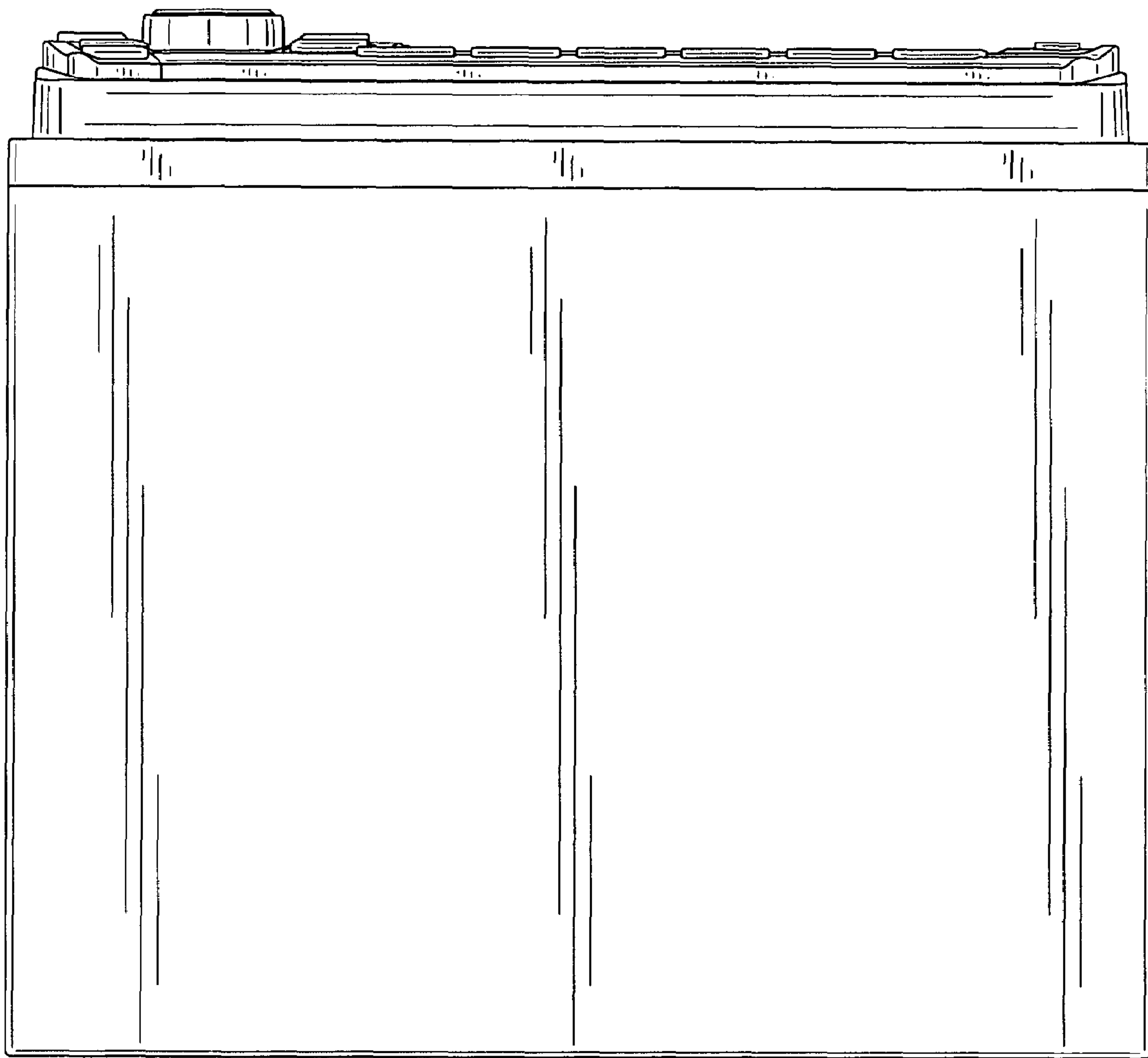


FIG. 15

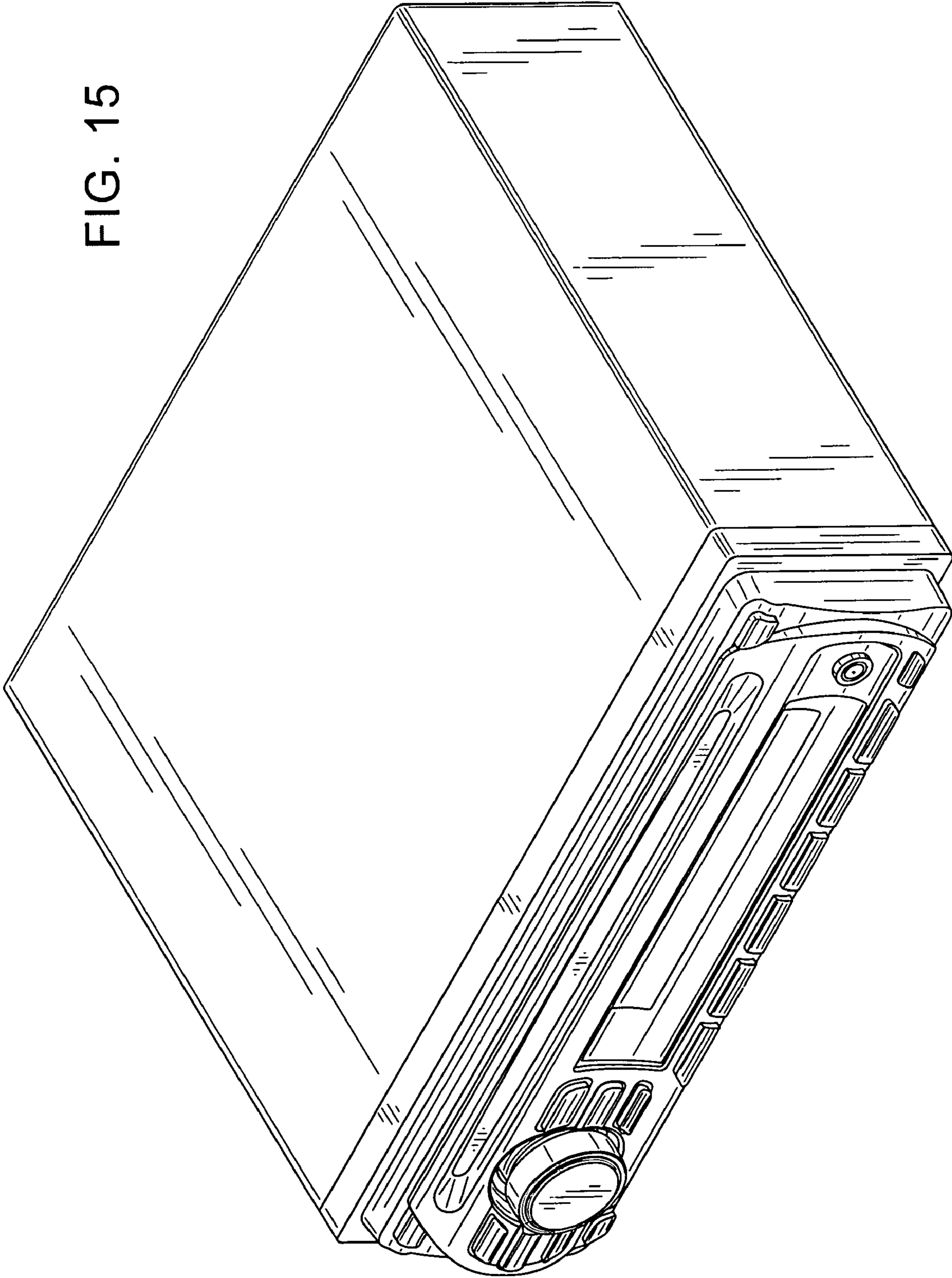


FIG. 16

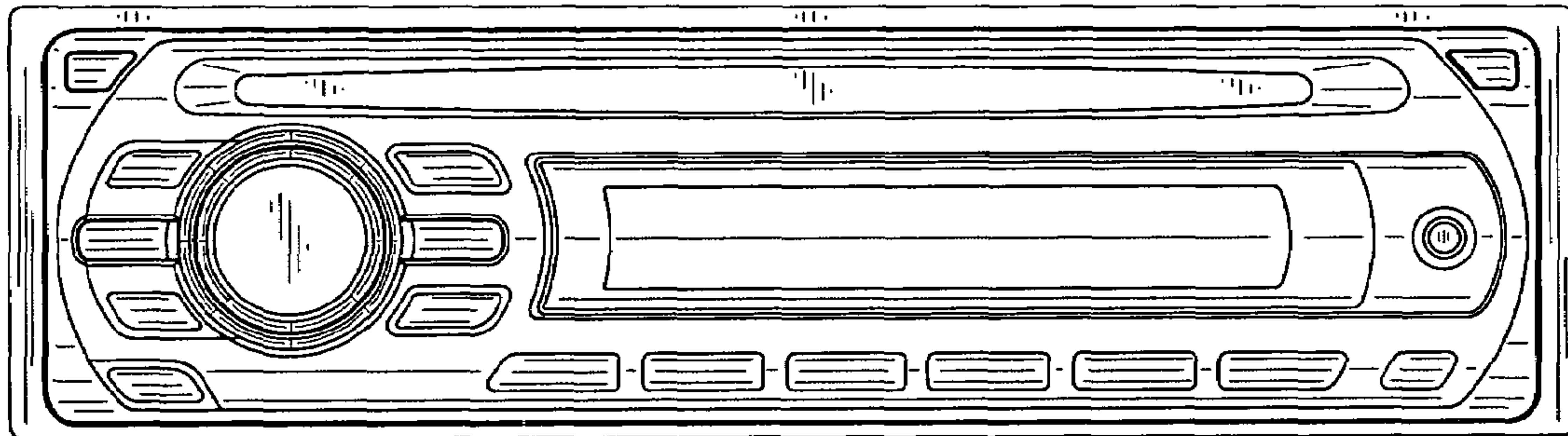


FIG. 17

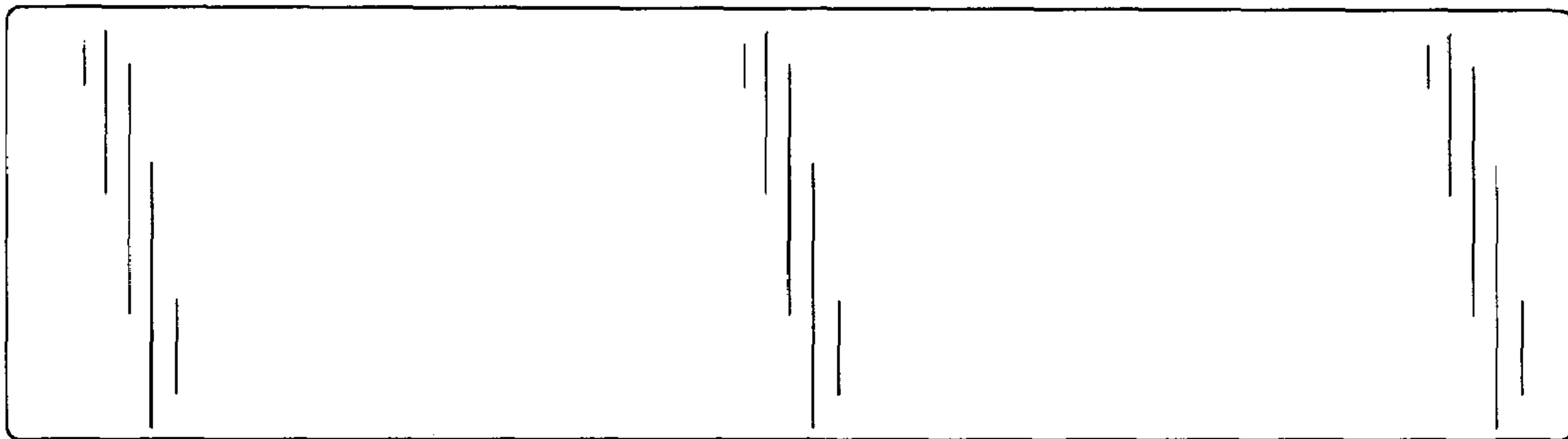


FIG. 18

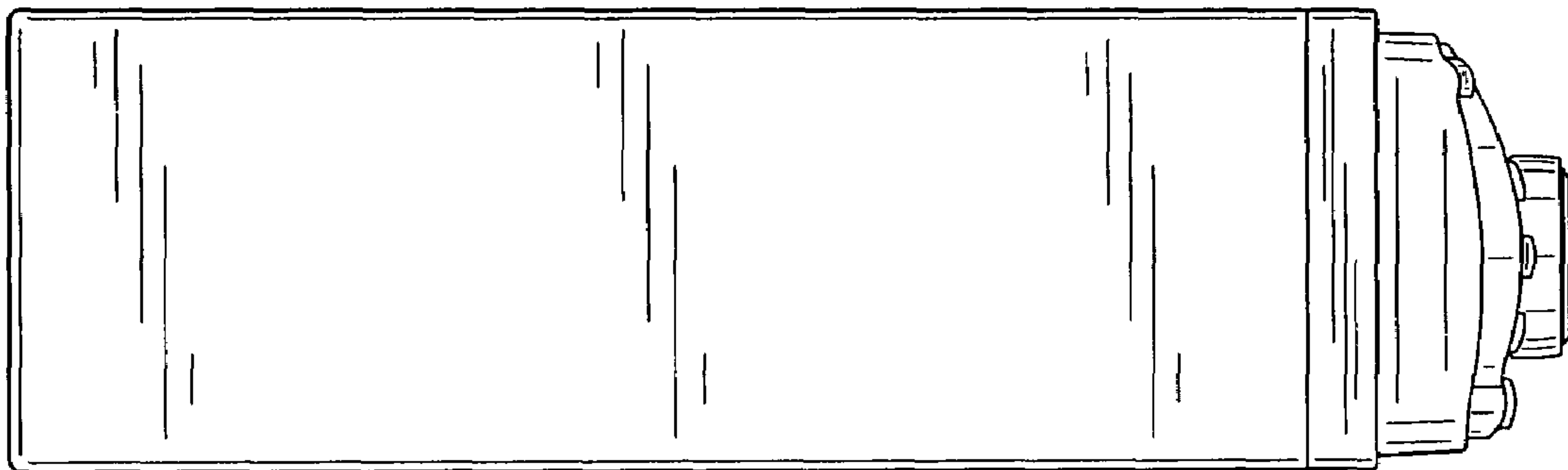


FIG. 19

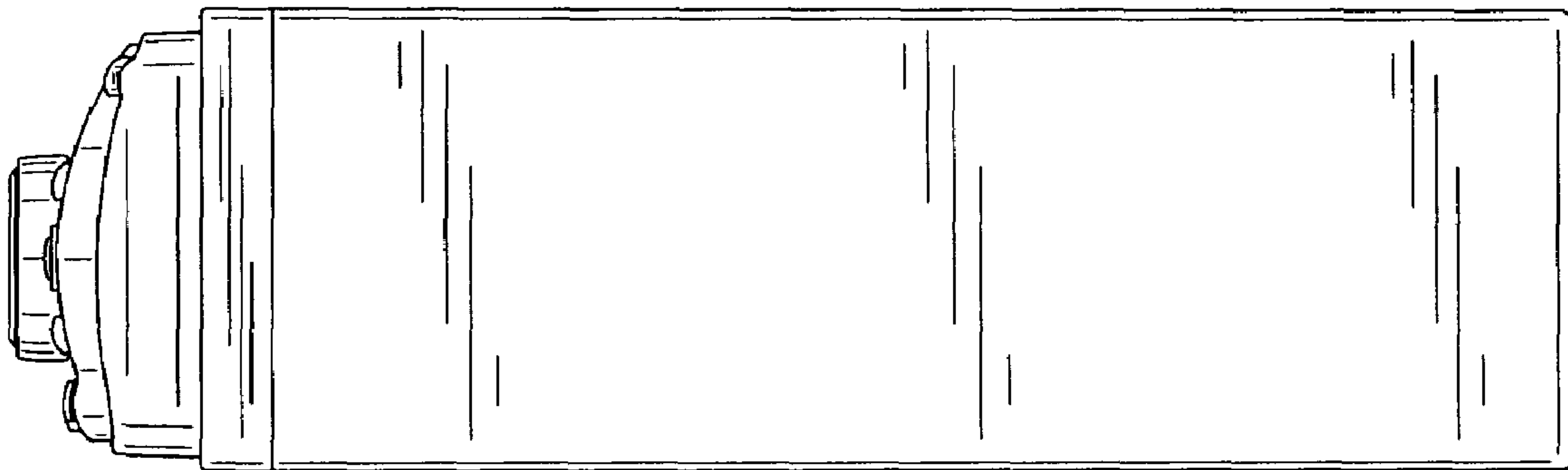


FIG. 20

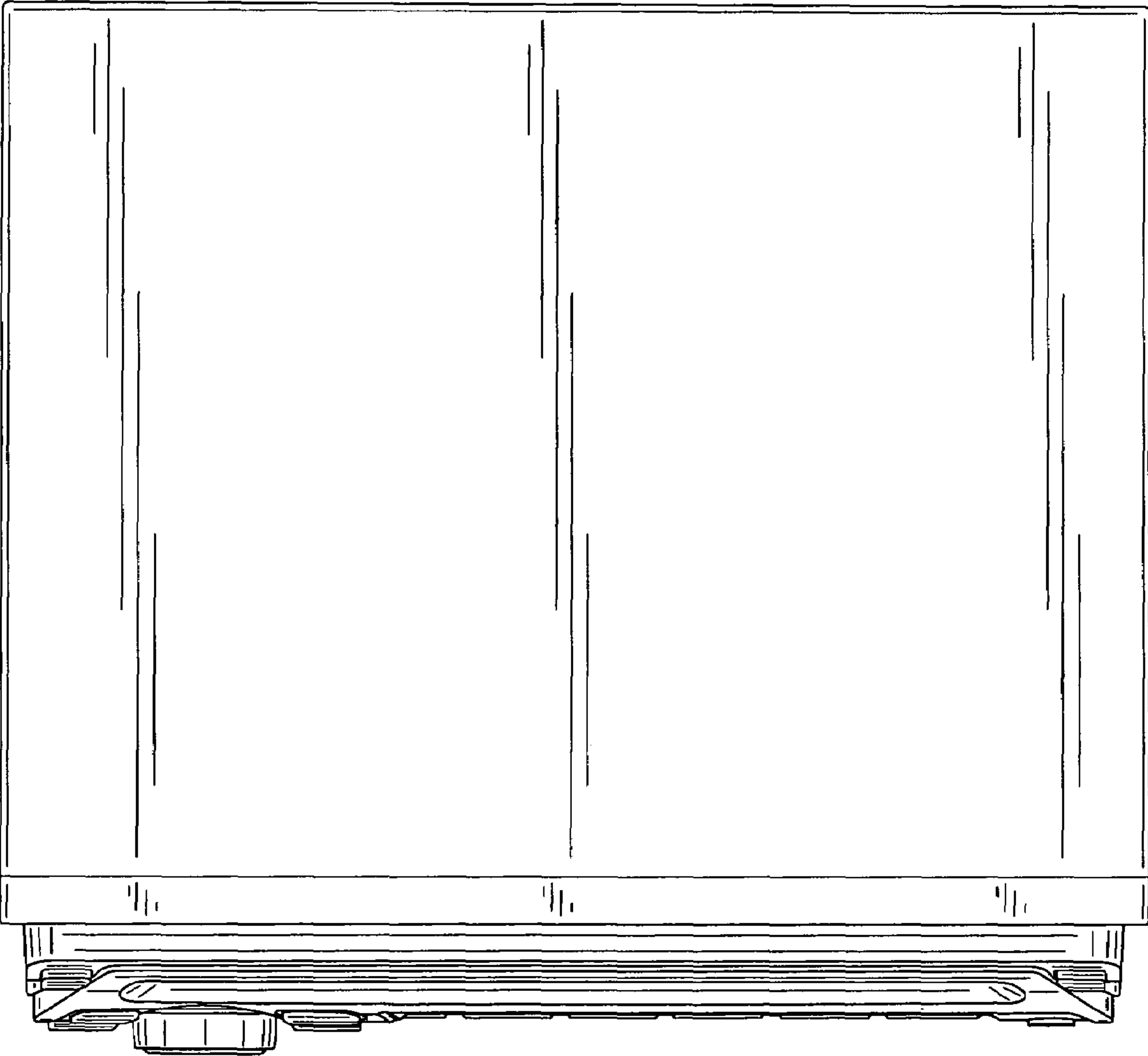


FIG. 21

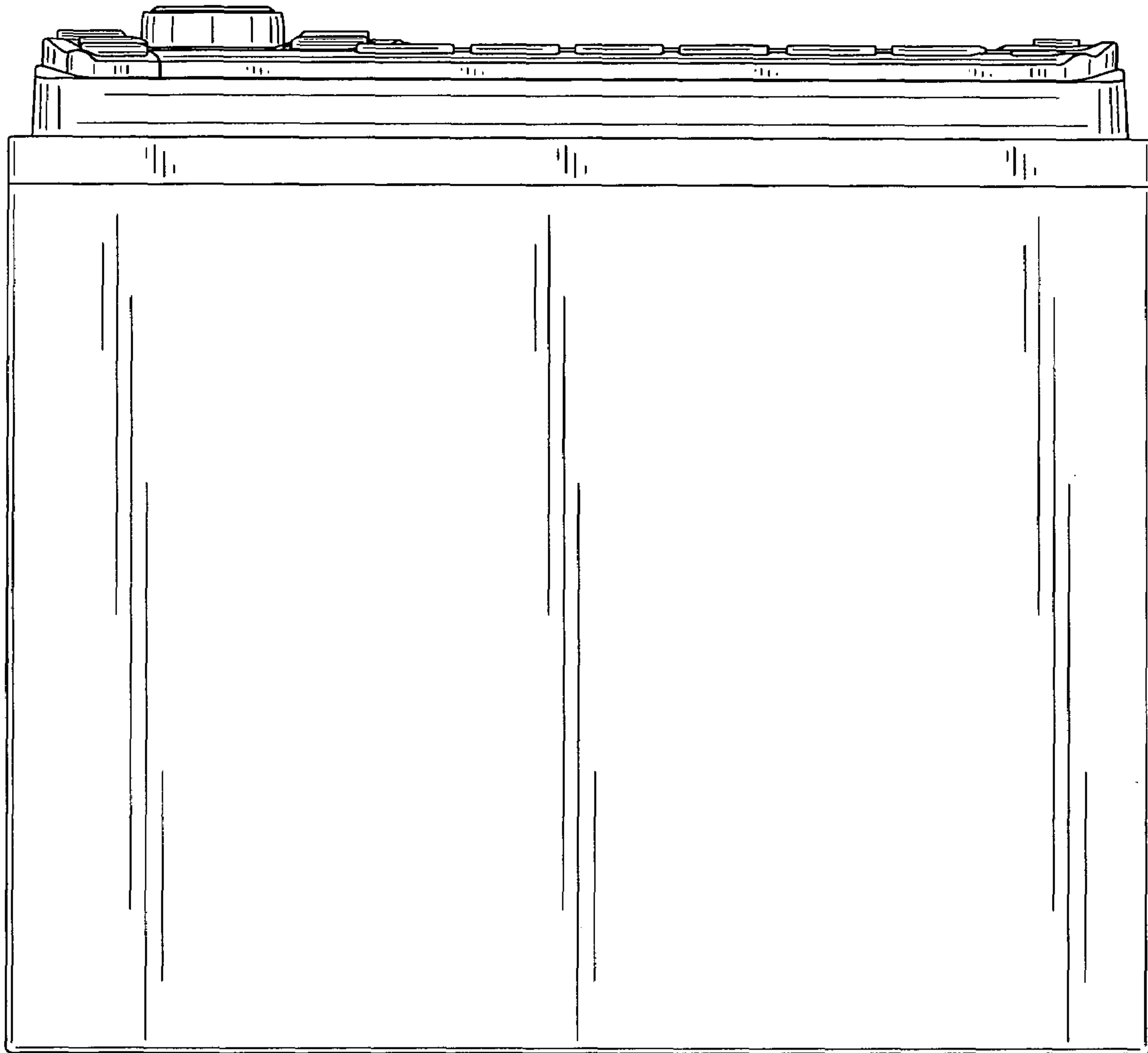


FIG. 22

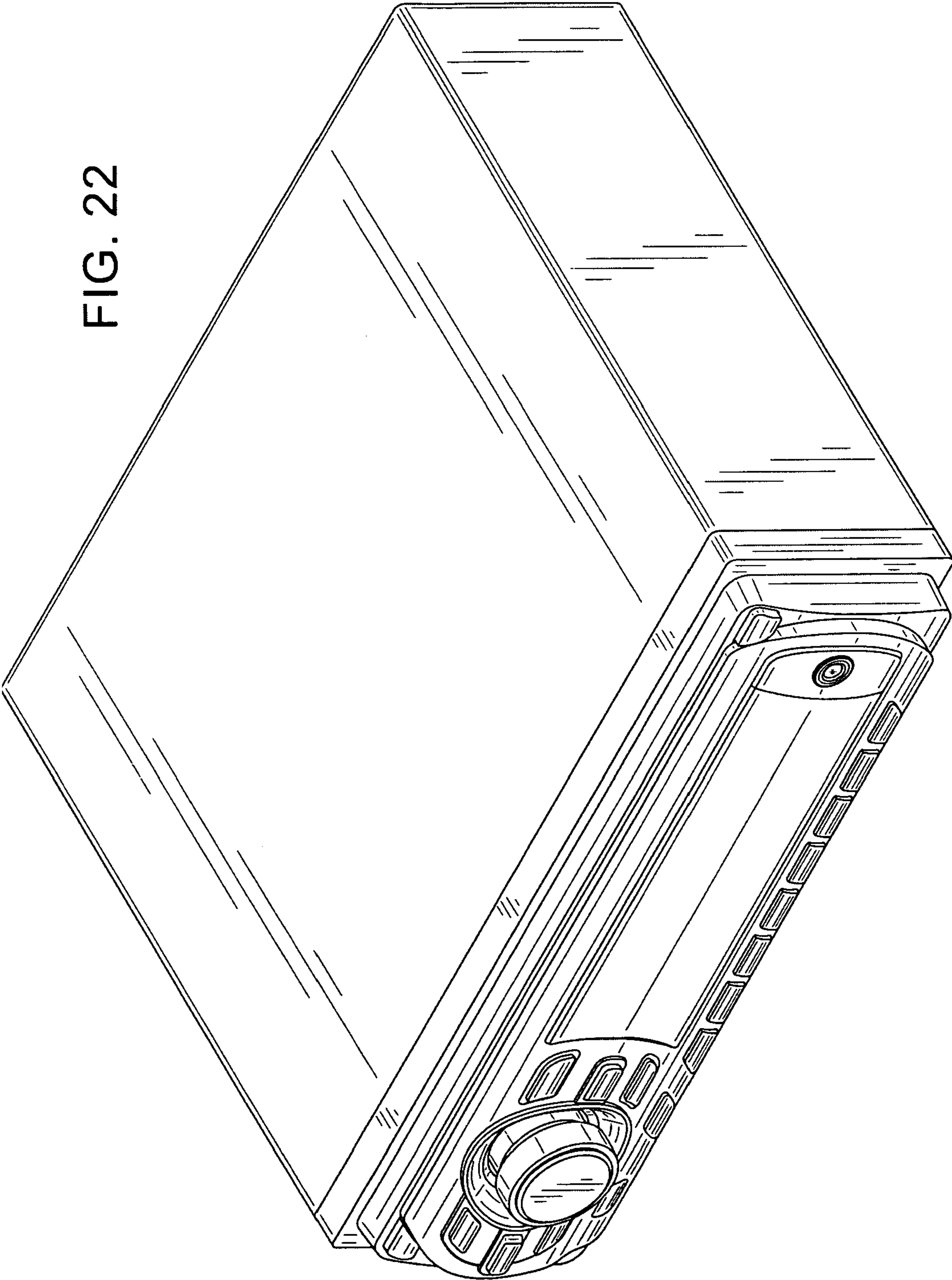


FIG. 23

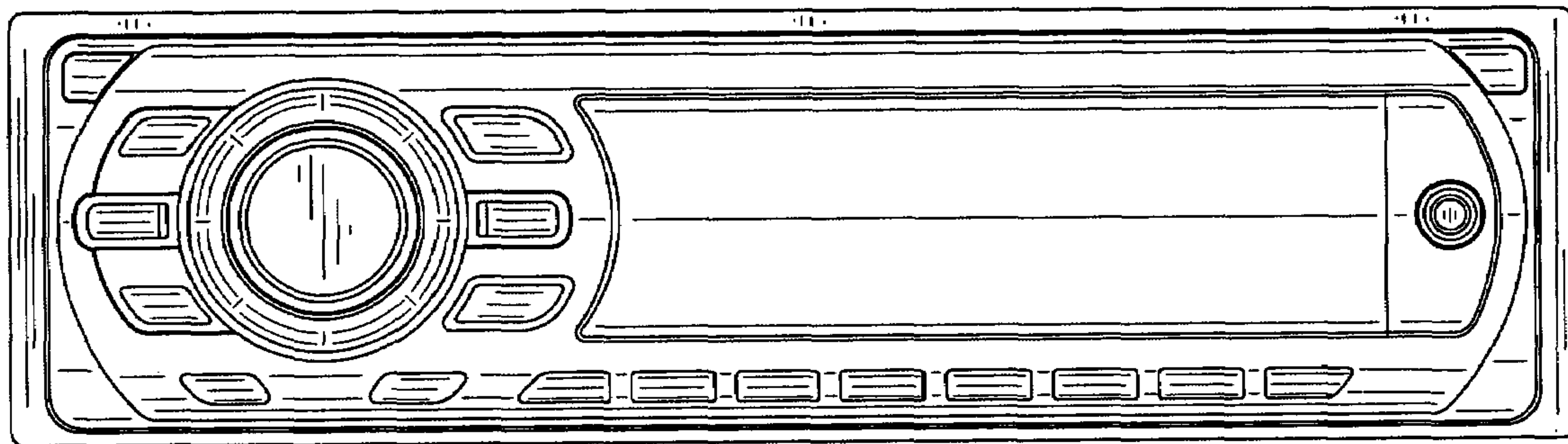


FIG. 24

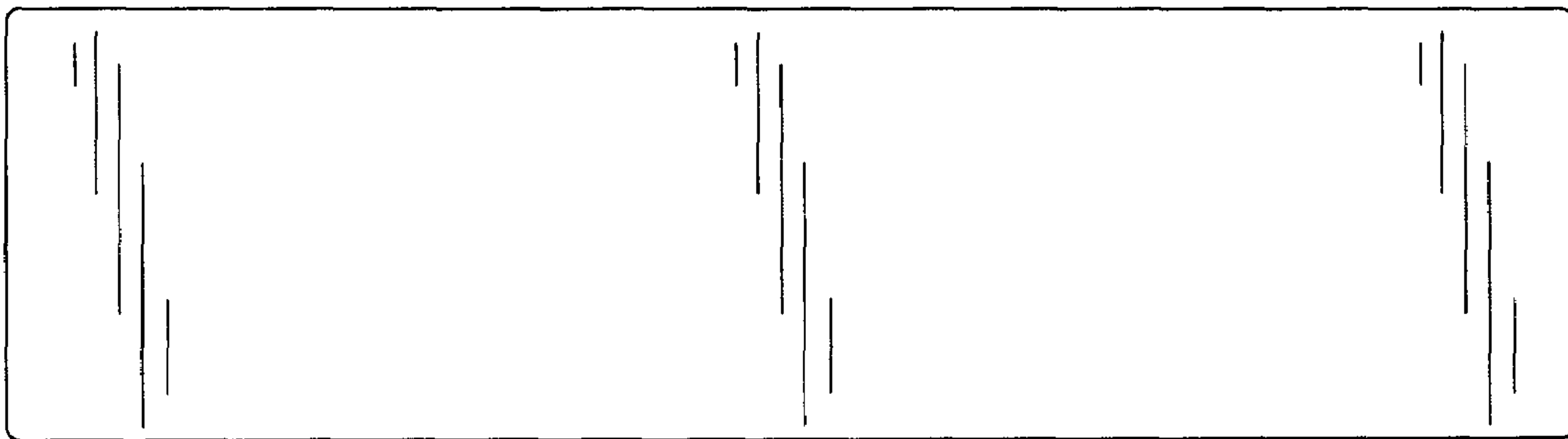


FIG. 25

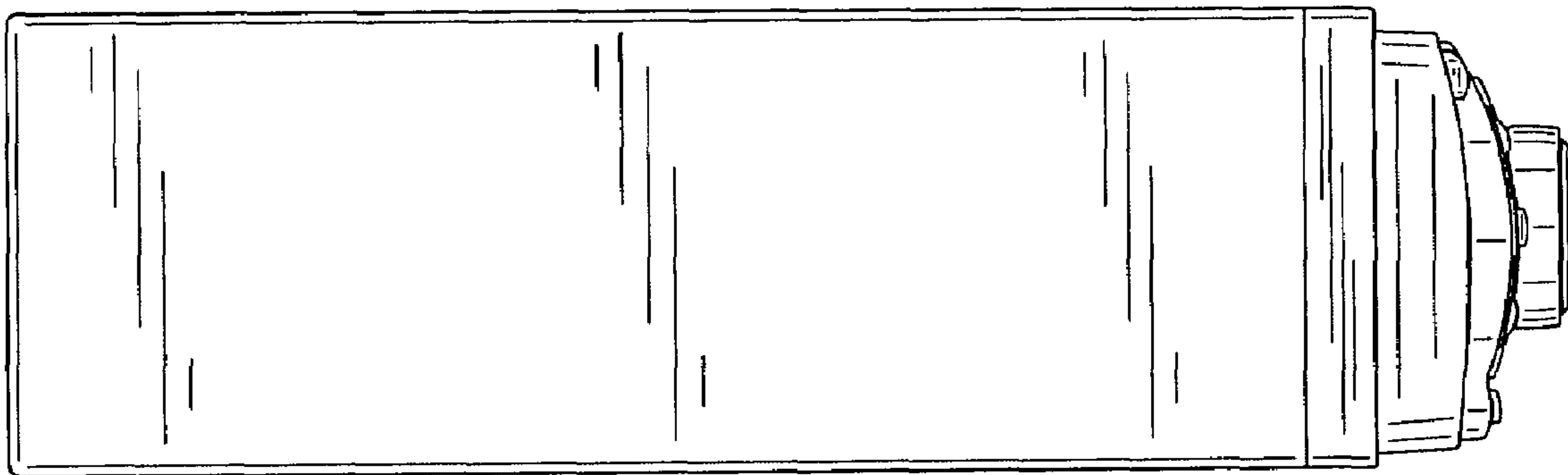


FIG. 26

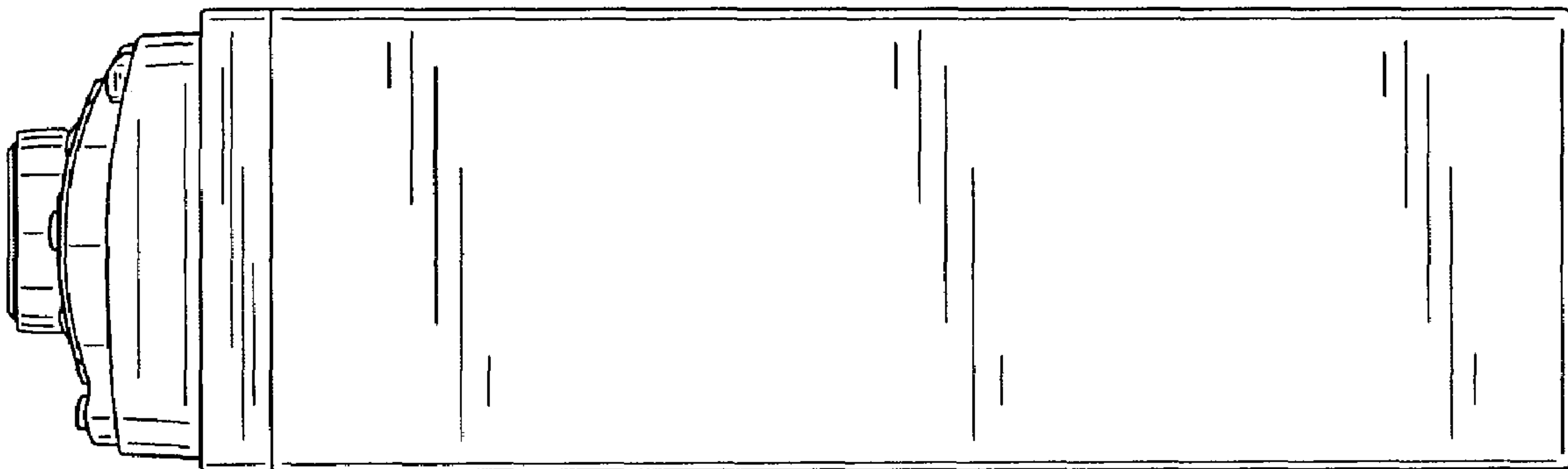


FIG. 27

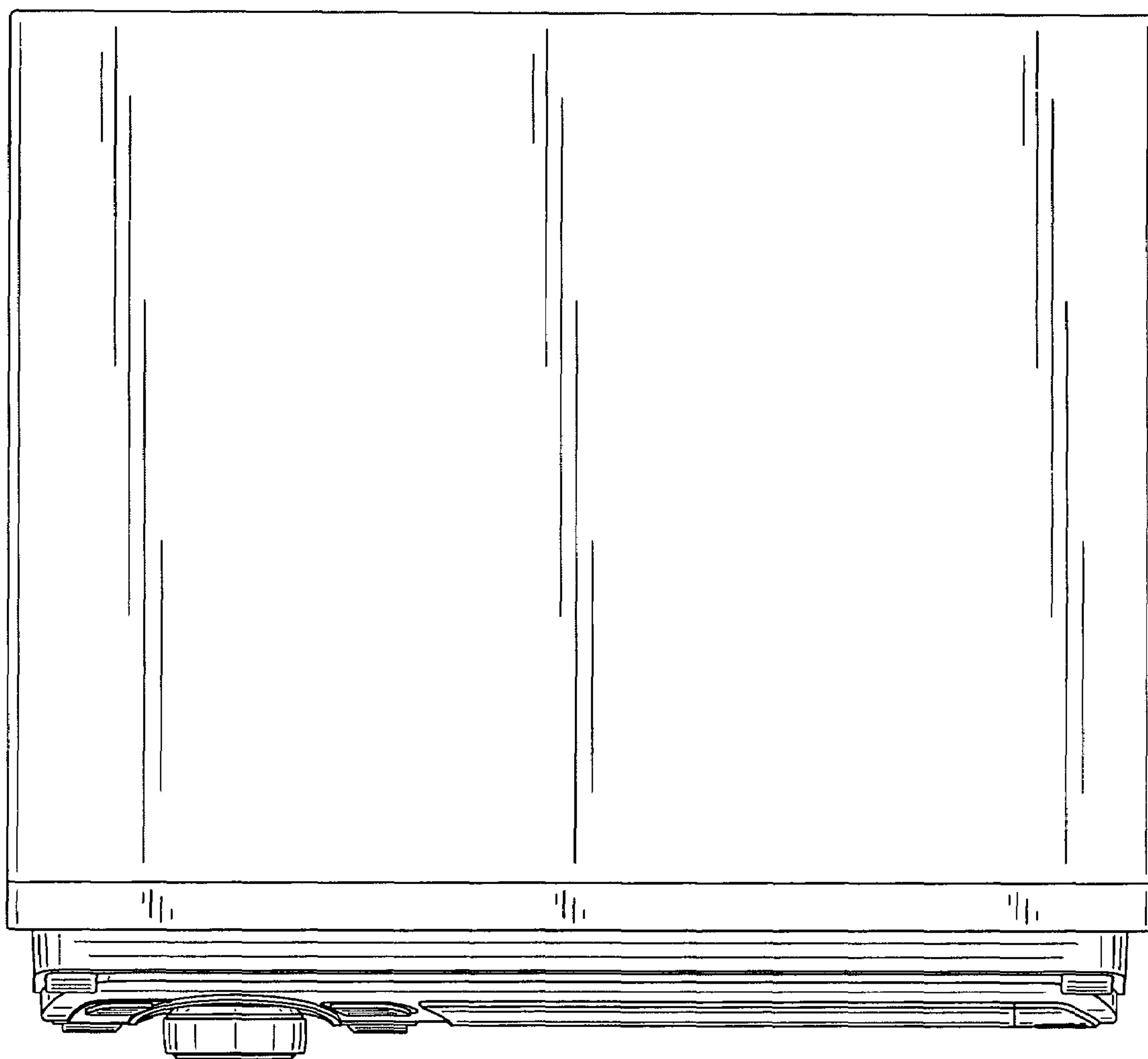


FIG. 28

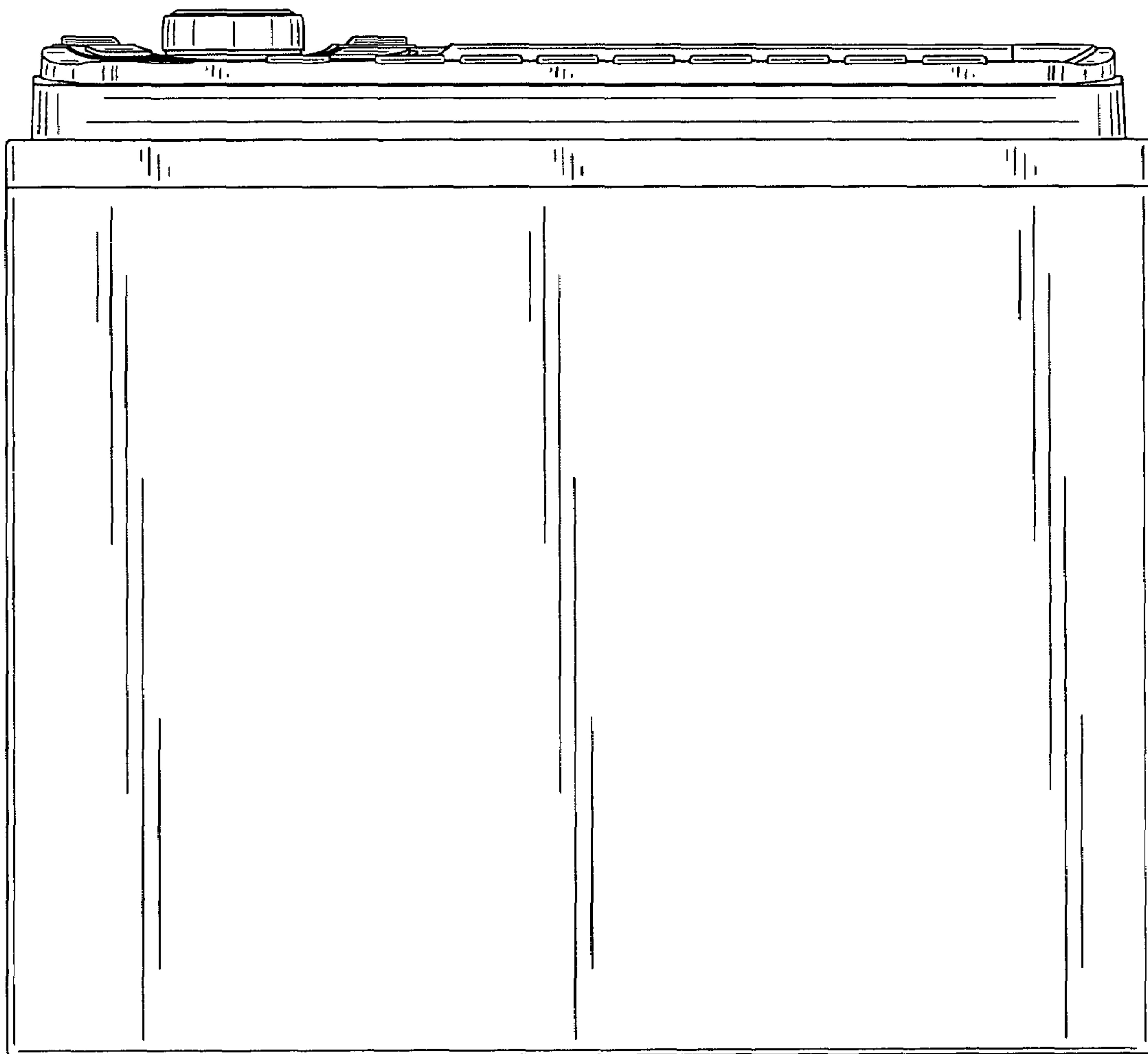


FIG. 29

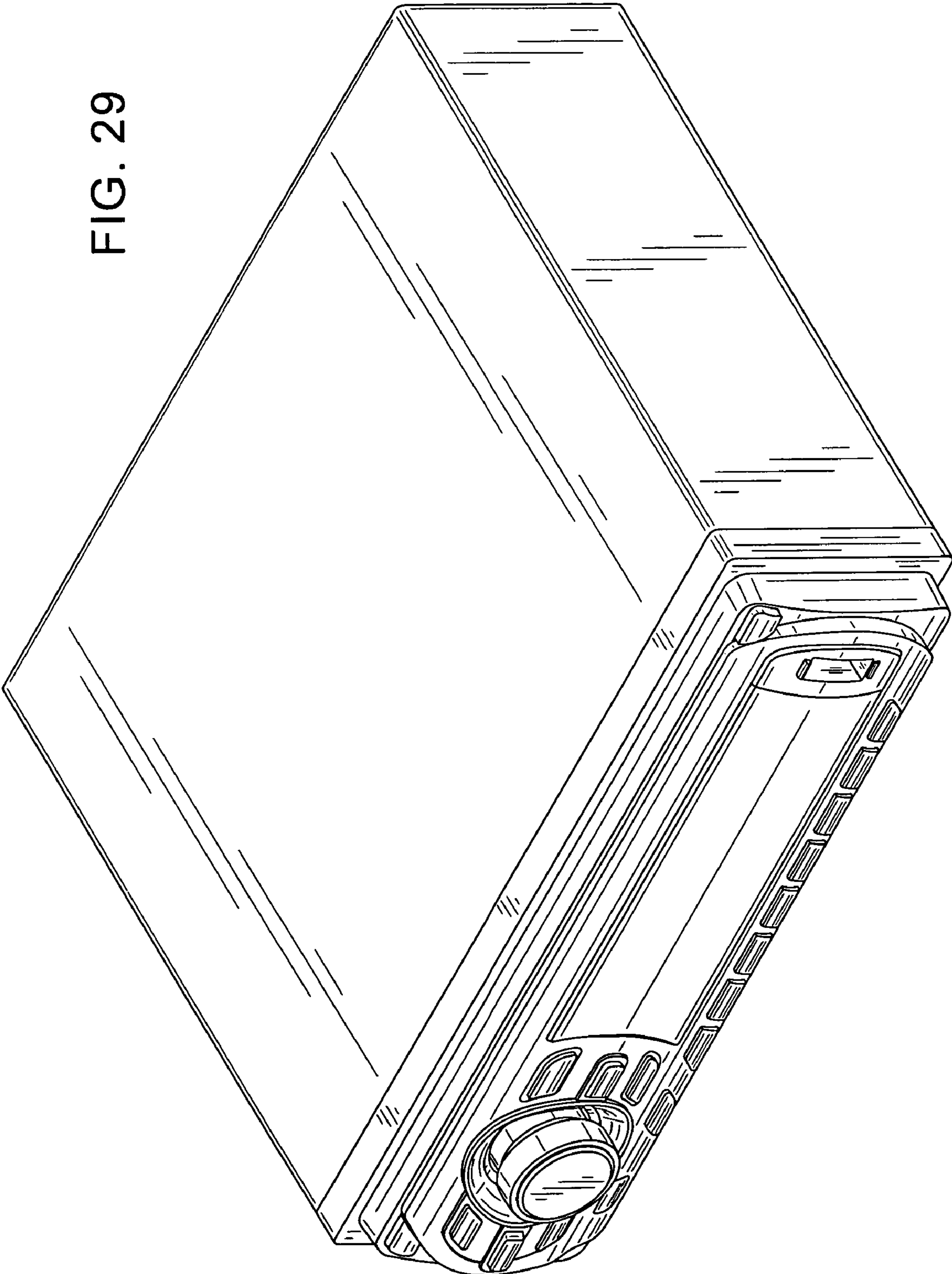


FIG. 30

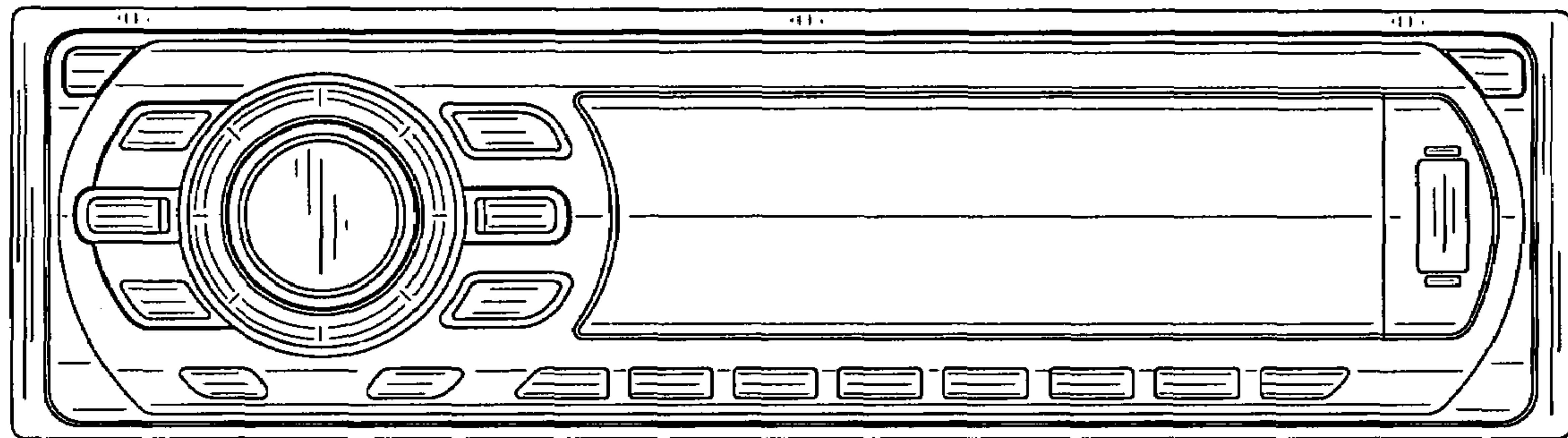


FIG. 31

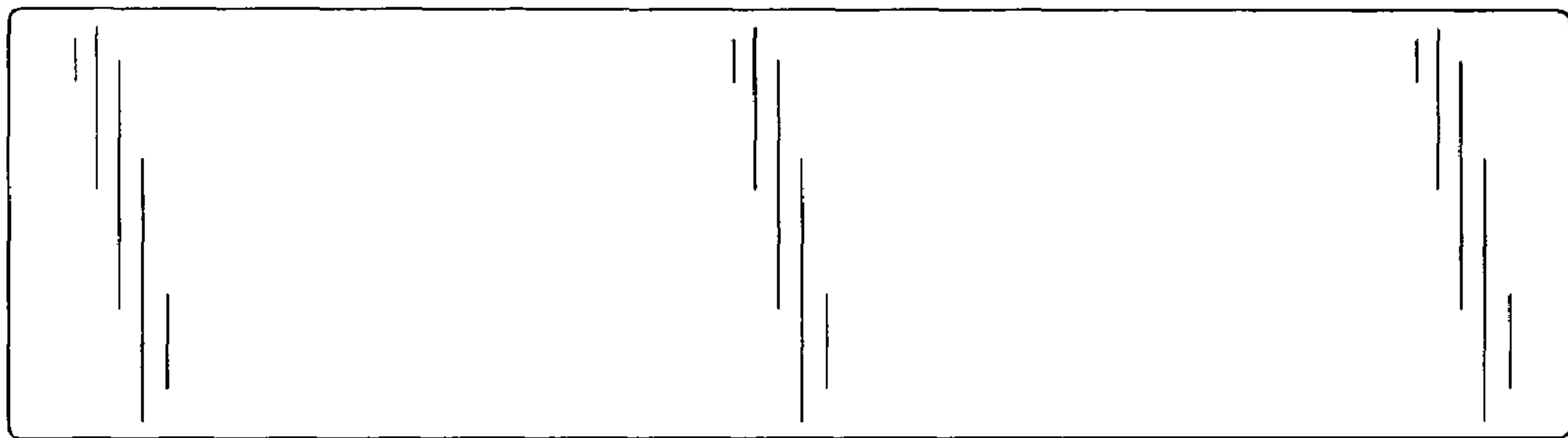


FIG. 32

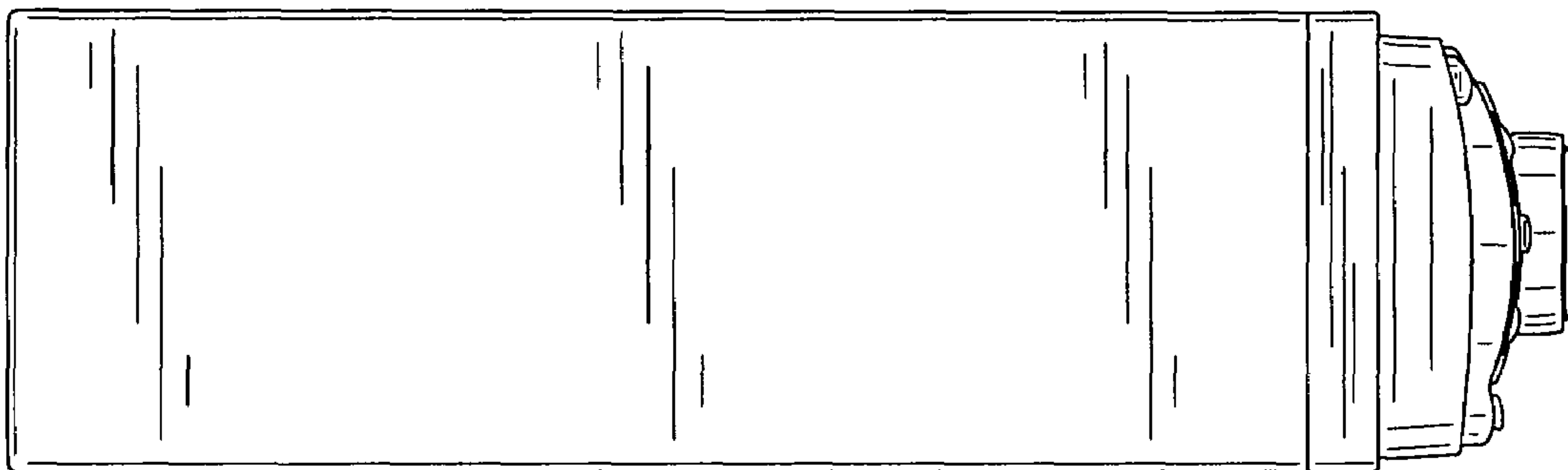


FIG. 33

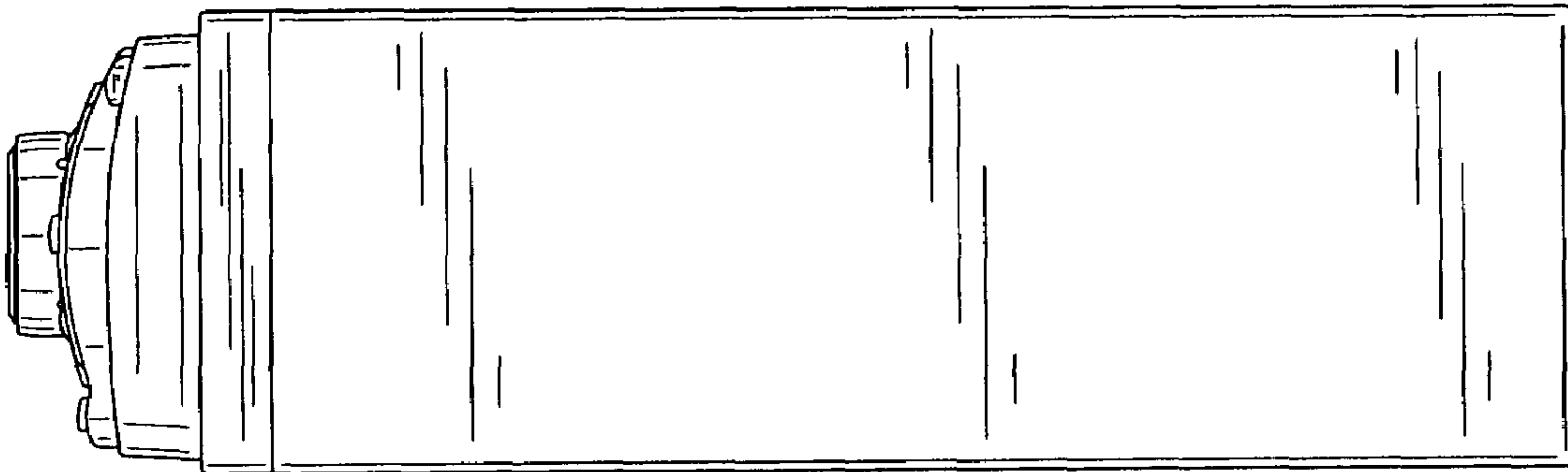


FIG. 34

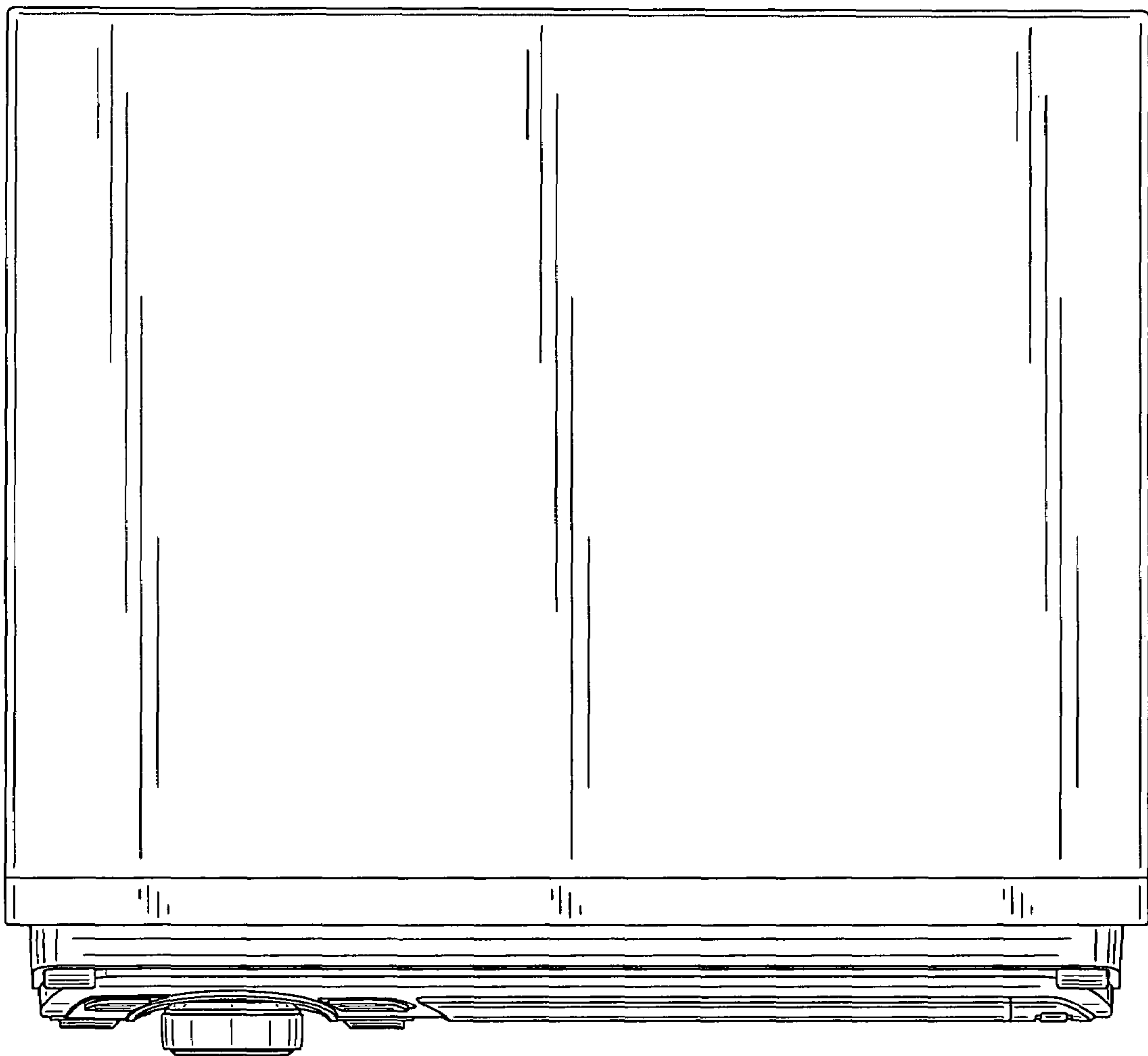


FIG. 35

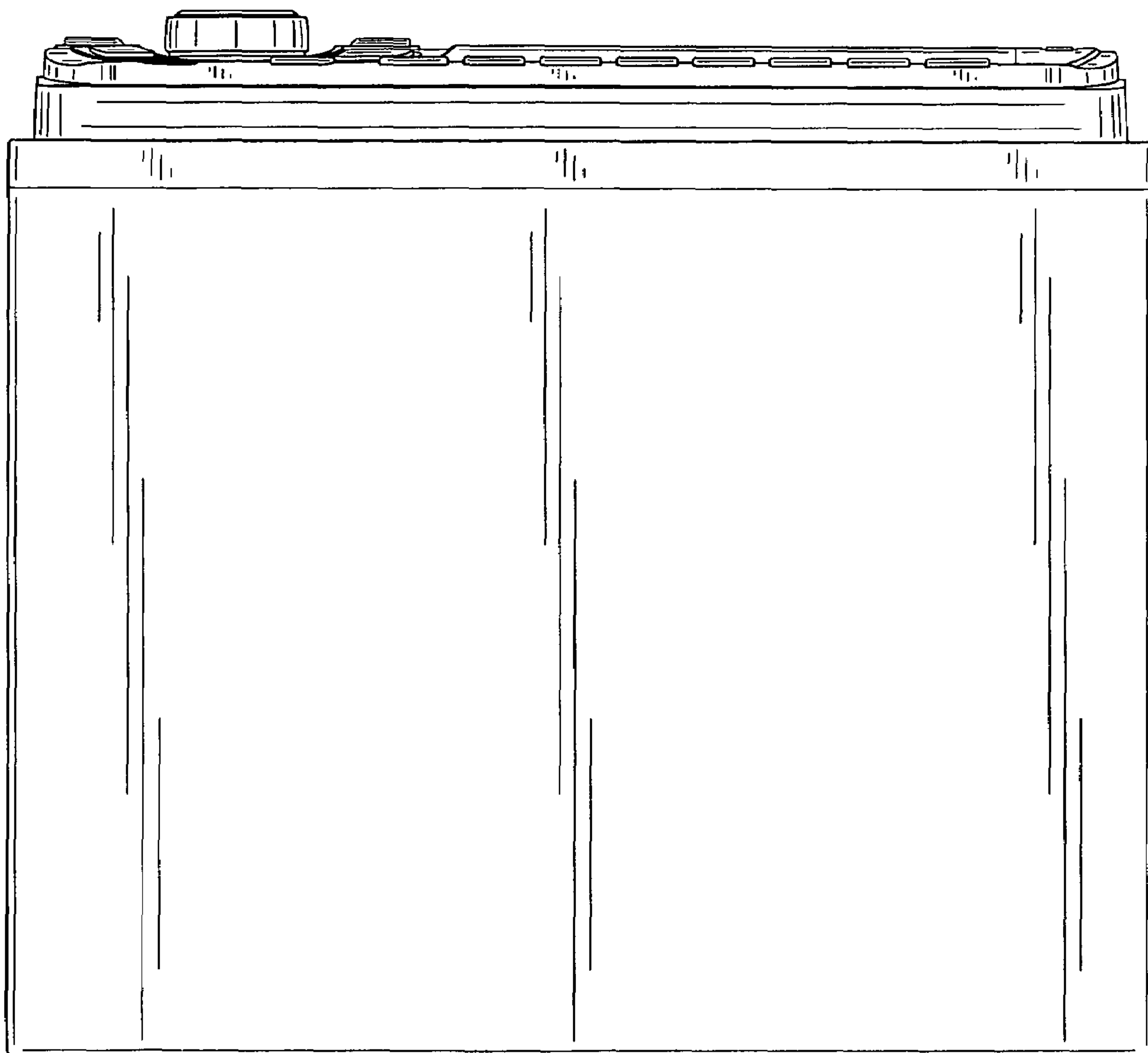


FIG. 36

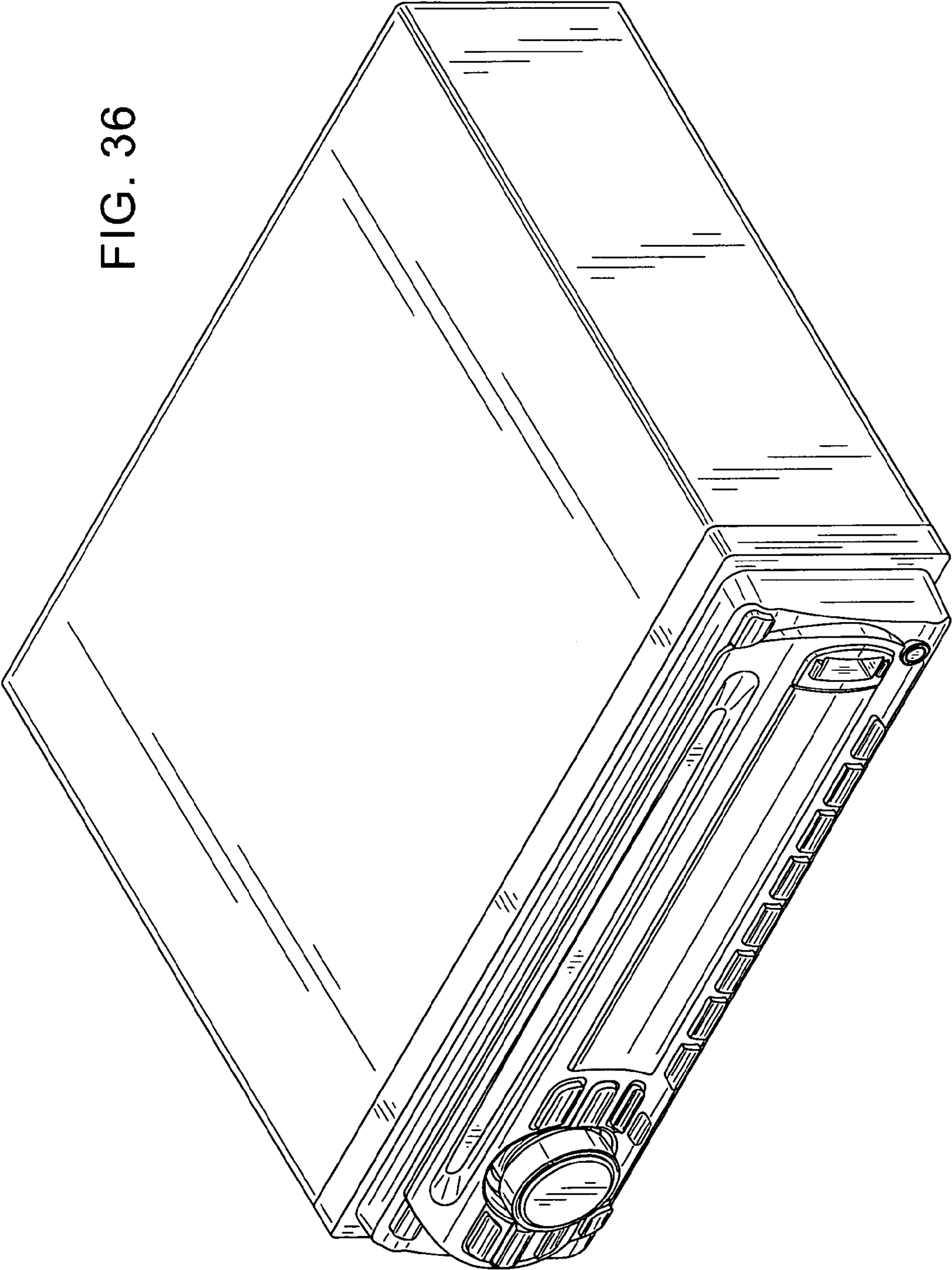


FIG. 37

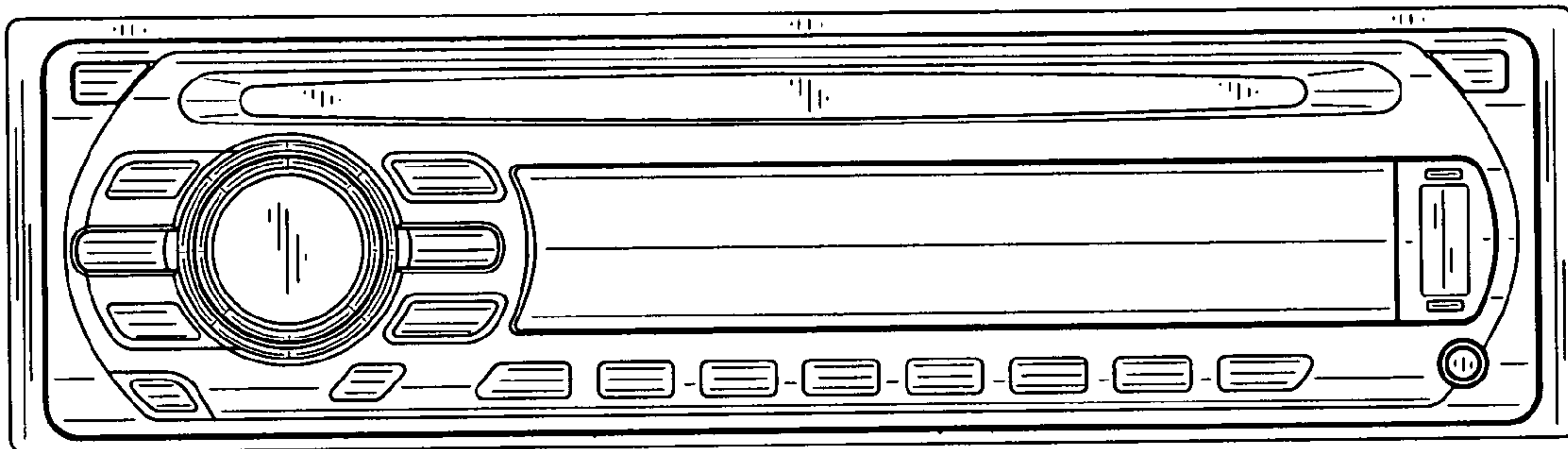


FIG. 38

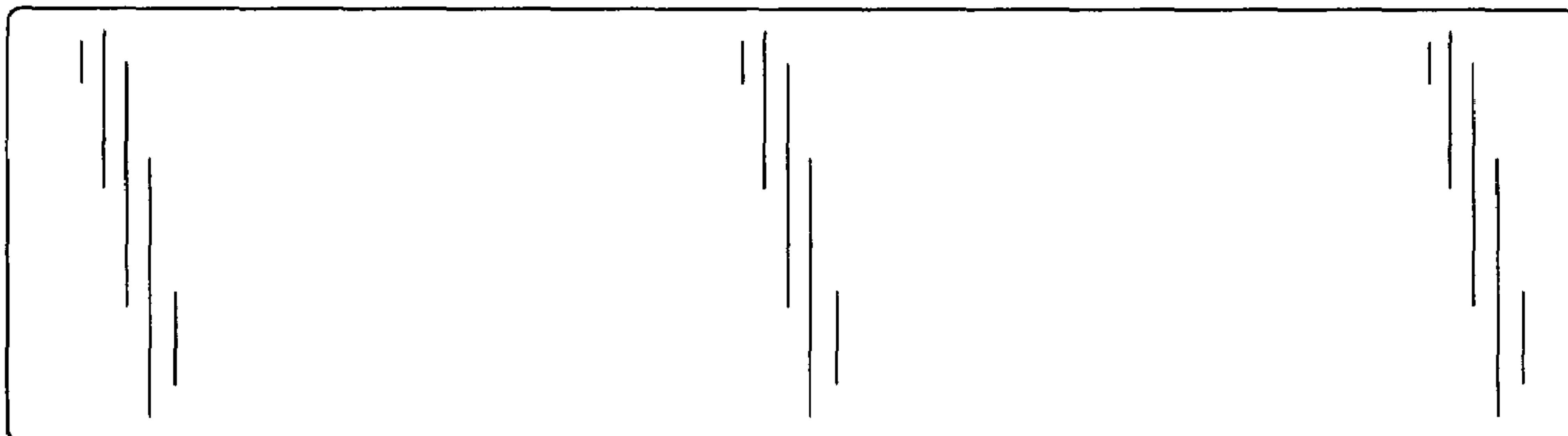


FIG. 39

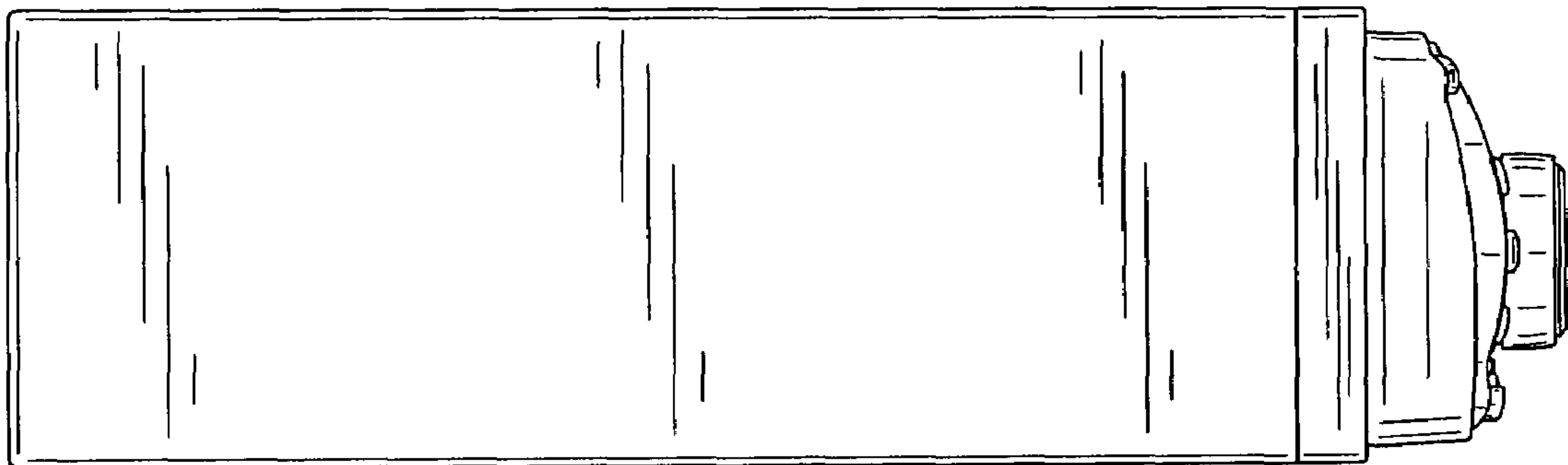


FIG. 40

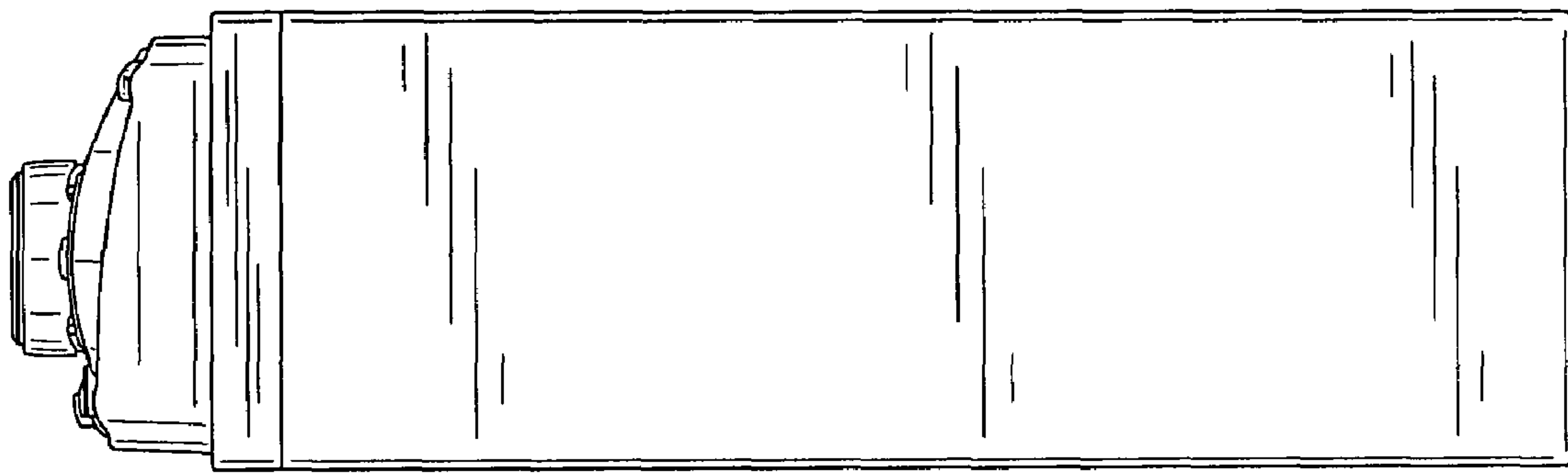


FIG. 41

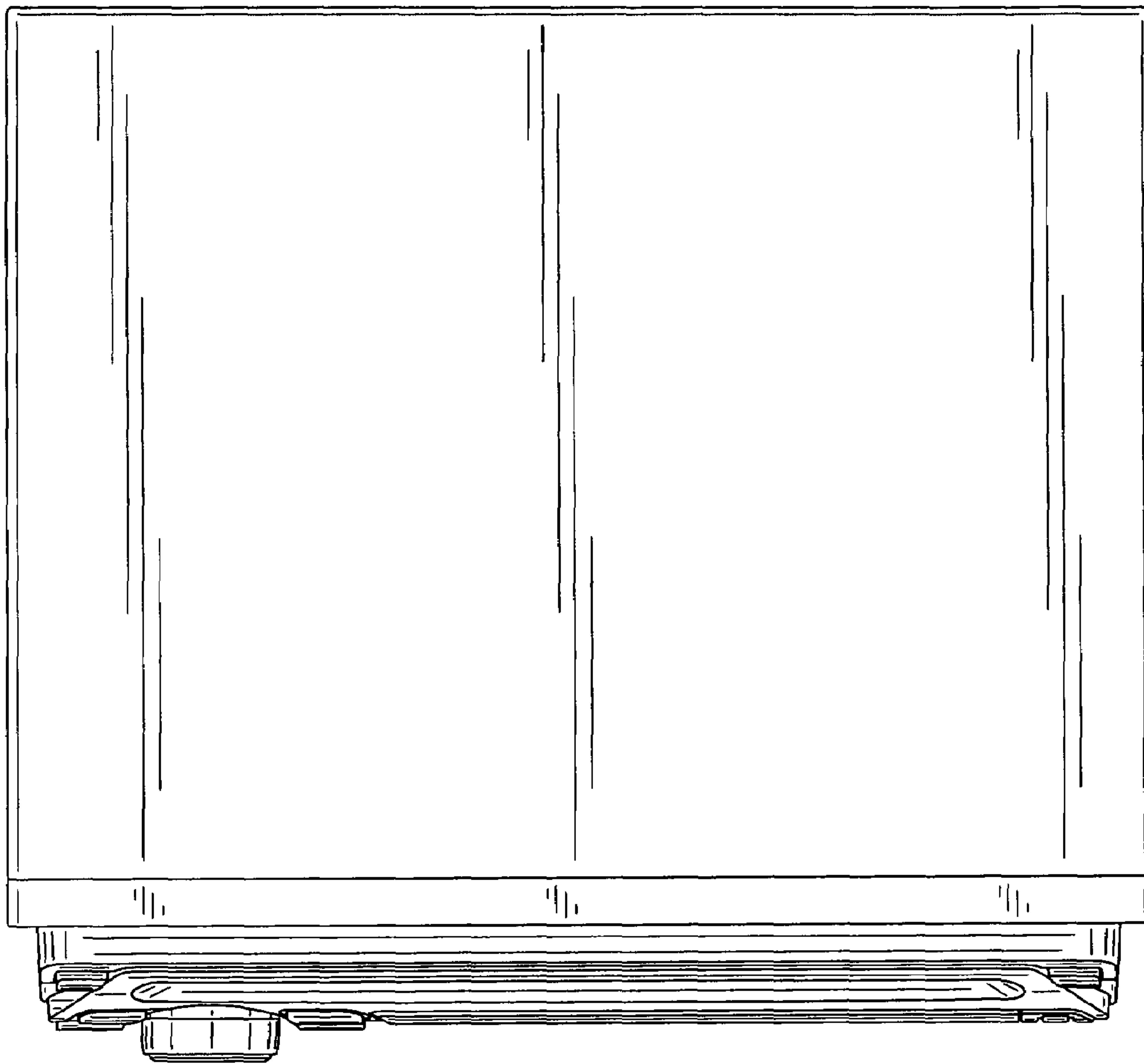


FIG. 42

