



US00D587664S

(12) **United States Design Patent**
Cometti

(10) **Patent No.:** **US D587,664 S**
(45) **Date of Patent:** **** Mar. 3, 2009**

(54) **TELEVISION APPARATUS**
(75) Inventor: **Valerio Cometti**, San Dona di Piave (IT)
(73) Assignee: **Super//Fluo S.p.A.**, Udine (IT)
(**) Term: **14 Years**

D524,774 S * 7/2006 Williams D14/126
D533,156 S * 12/2006 Nakata D14/126
D535,954 S * 1/2007 Hwang et al. D14/126
D536,016 S * 1/2007 Dayan D16/242
D543,516 S * 5/2007 Han et al. D14/126
D545,280 S * 6/2007 Imboden D14/126
D554,599 S * 11/2007 Otsuka et al. D14/126

(21) Appl. No.: **29/291,552**
(22) Filed: **Sep. 5, 2007**

* cited by examiner

Primary Examiner—Raphael Barkai
(74) *Attorney, Agent, or Firm*—Hamre, Schumann, Mueller & Larson, P.C.

(30) **Foreign Application Priority Data**
Mar. 6, 2007 (EM) 683552

(57) **CLAIM**

(51) **LOC (9) Cl.** **14-03**
(52) **U.S. Cl.** **D14/126**
(58) **Field of Classification Search** D14/125–134,
D14/239, 371, 136, 374–377, 440, 450, 448,
D14/336, 342; 312/7.2; 348/836, 838, 180,
348/184, 325, 739; 341/12; 248/917–924,
248/465; 345/104, 133, 156, 168, 87, 173;
720/605, 669, 600, 655; 369/99, 197; 455/344,
455/347; D21/329, 515, 577, 622, 333, 433,
D21/448, 452, 450, 331; D6/477, 479; 273/148 B;
446/484, 175, 356; D10/15, 26
See application file for complete search history.

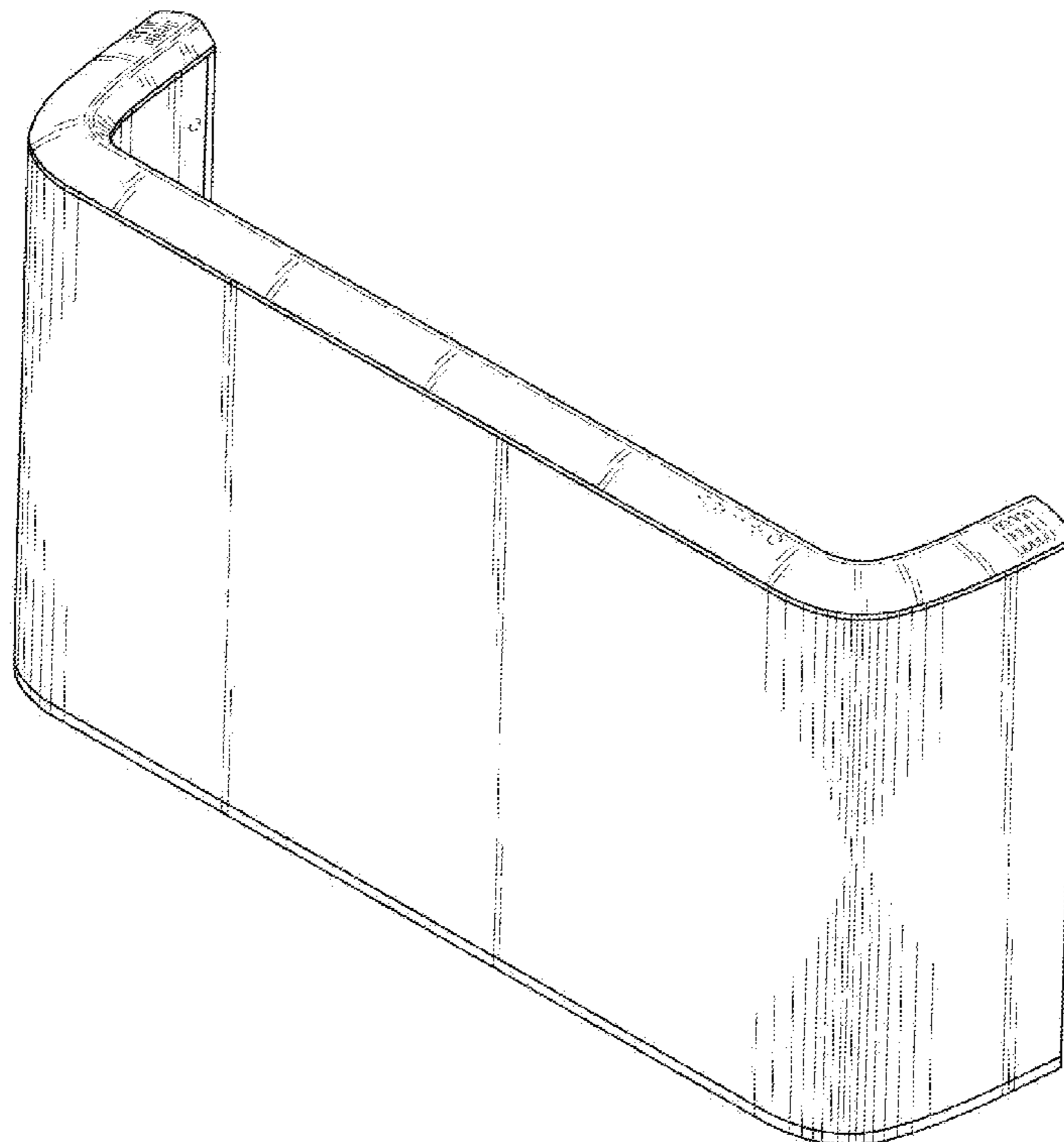
The ornamental design for television apparatus, as shown and described.

DESCRIPTION

FIG. 1 is a front perspective view of a television apparatus in accordance with my invention thereof;
FIG. 2 is a back perspective view thereof;
FIG. 3 is a front view thereof;
FIG. 4 is a left side view thereof;
FIG. 5 is a right side view thereof;
FIG. 6 is a back view thereof;
FIG. 7 is a top view thereof; and,
FIG. 8 is a bottom view thereof.

(56) **References Cited**
U.S. PATENT DOCUMENTS
D279,987 S * 8/1985 Bertone D14/381
D484,860 S * 1/2004 Kubota D14/239

1 Claim, 8 Drawing Sheets



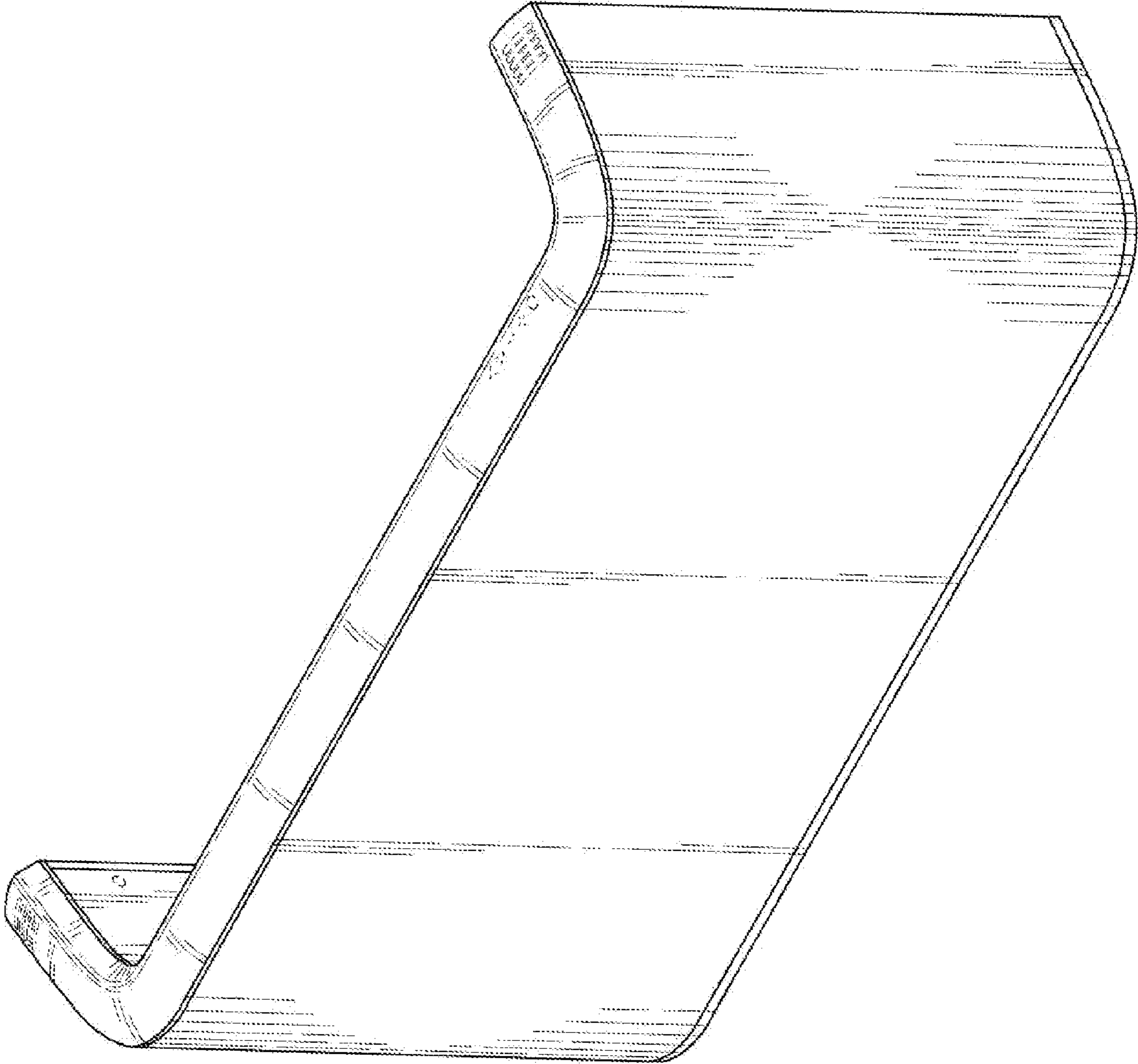


Fig. 1

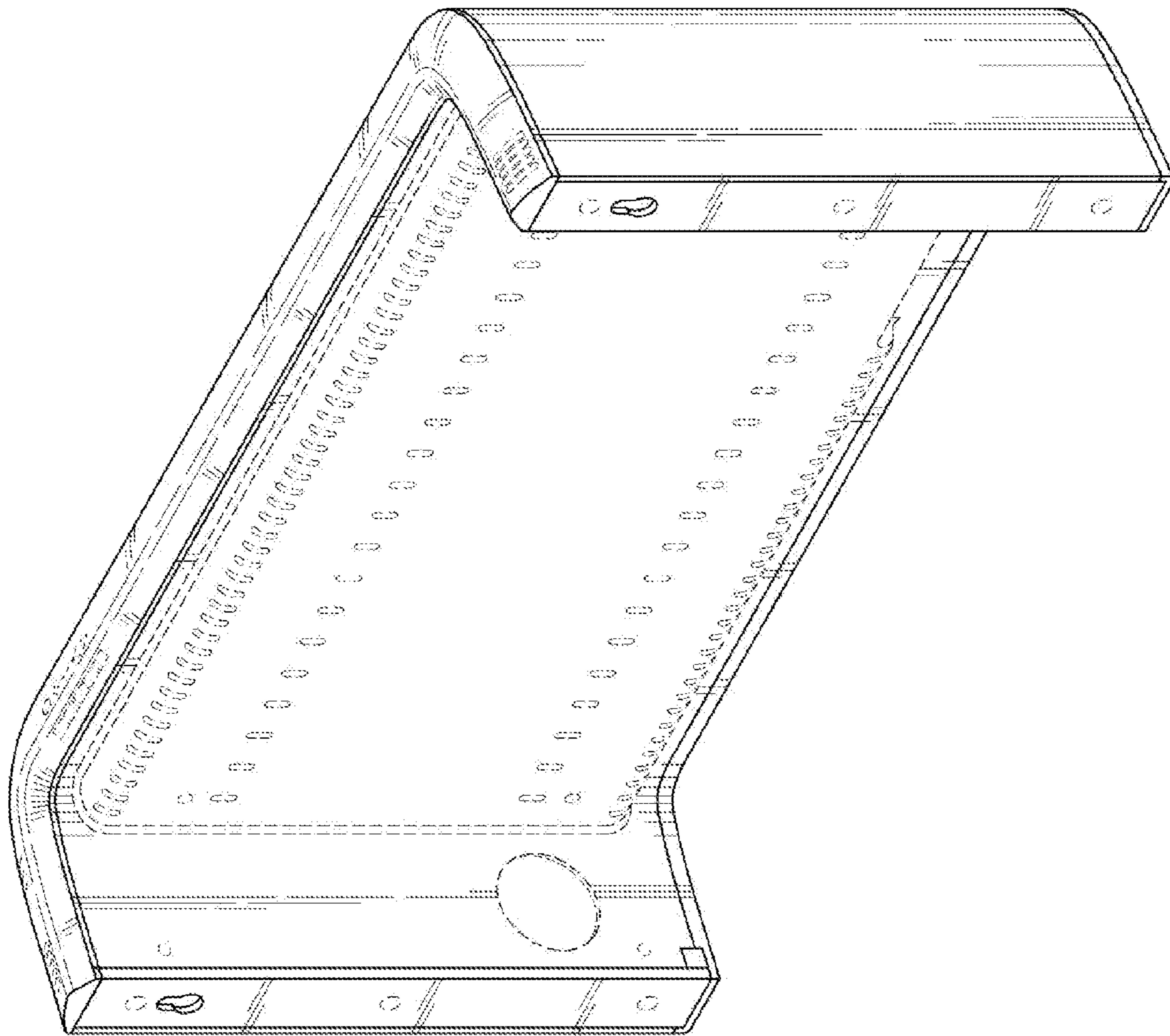


Fig. 2

Fig. 3

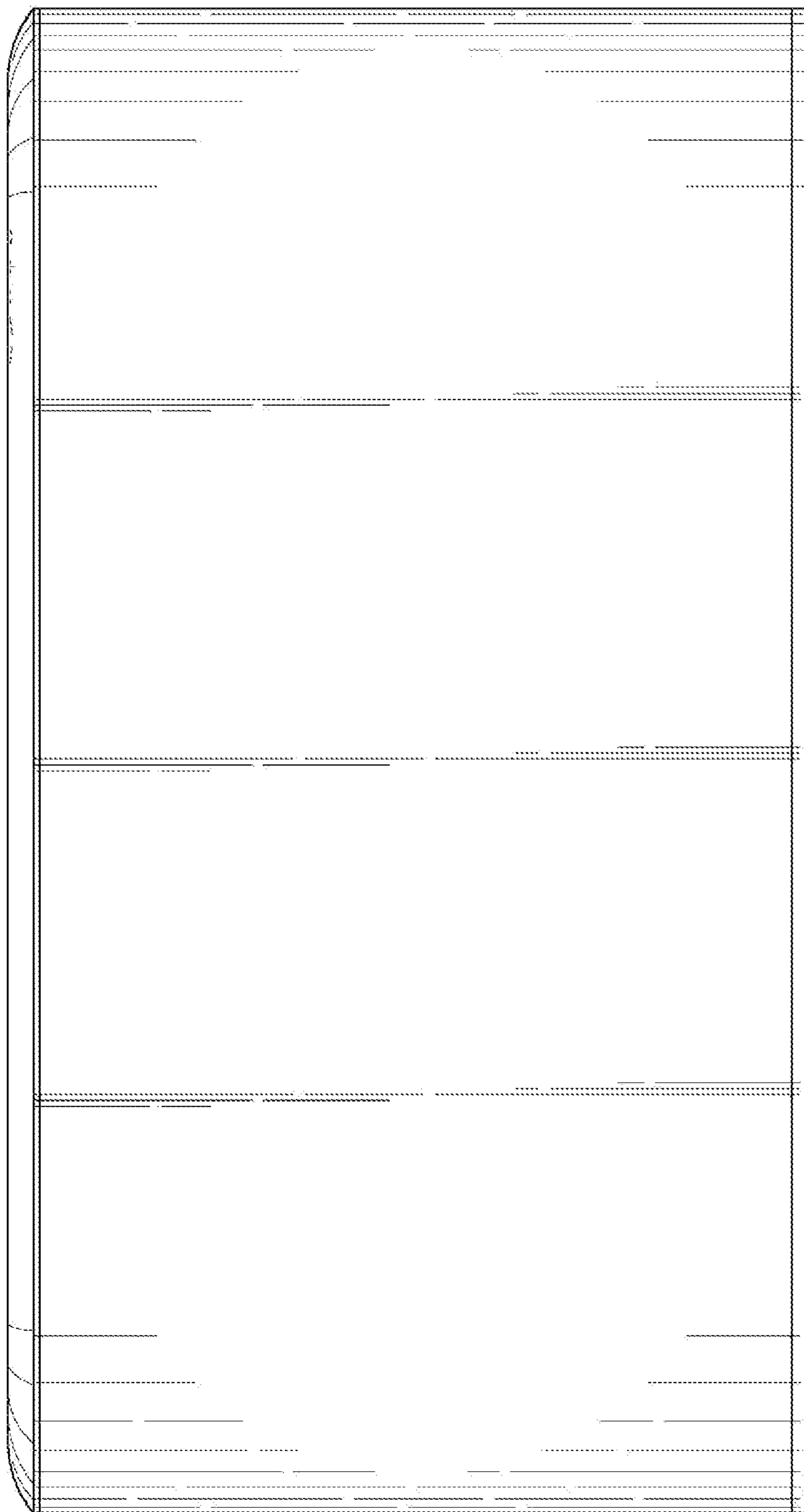


Fig. 4

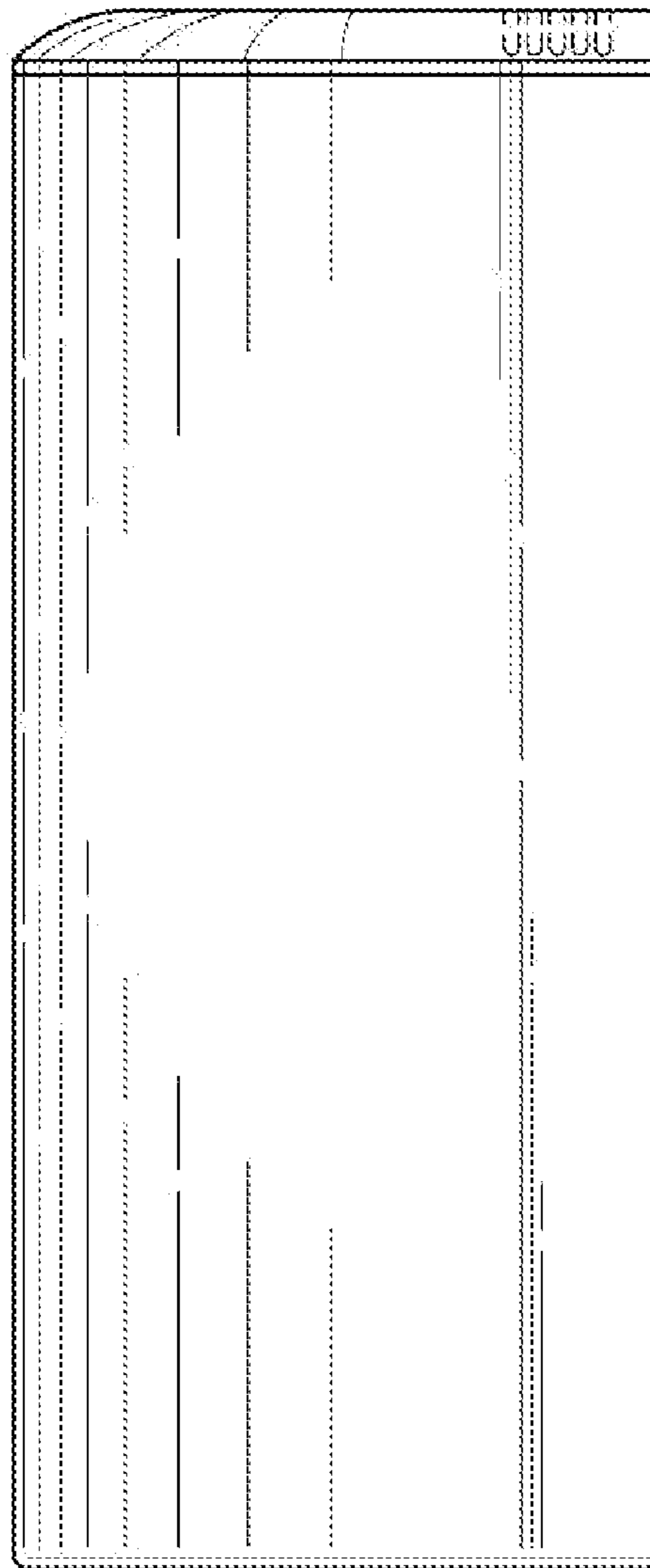


Fig. 5

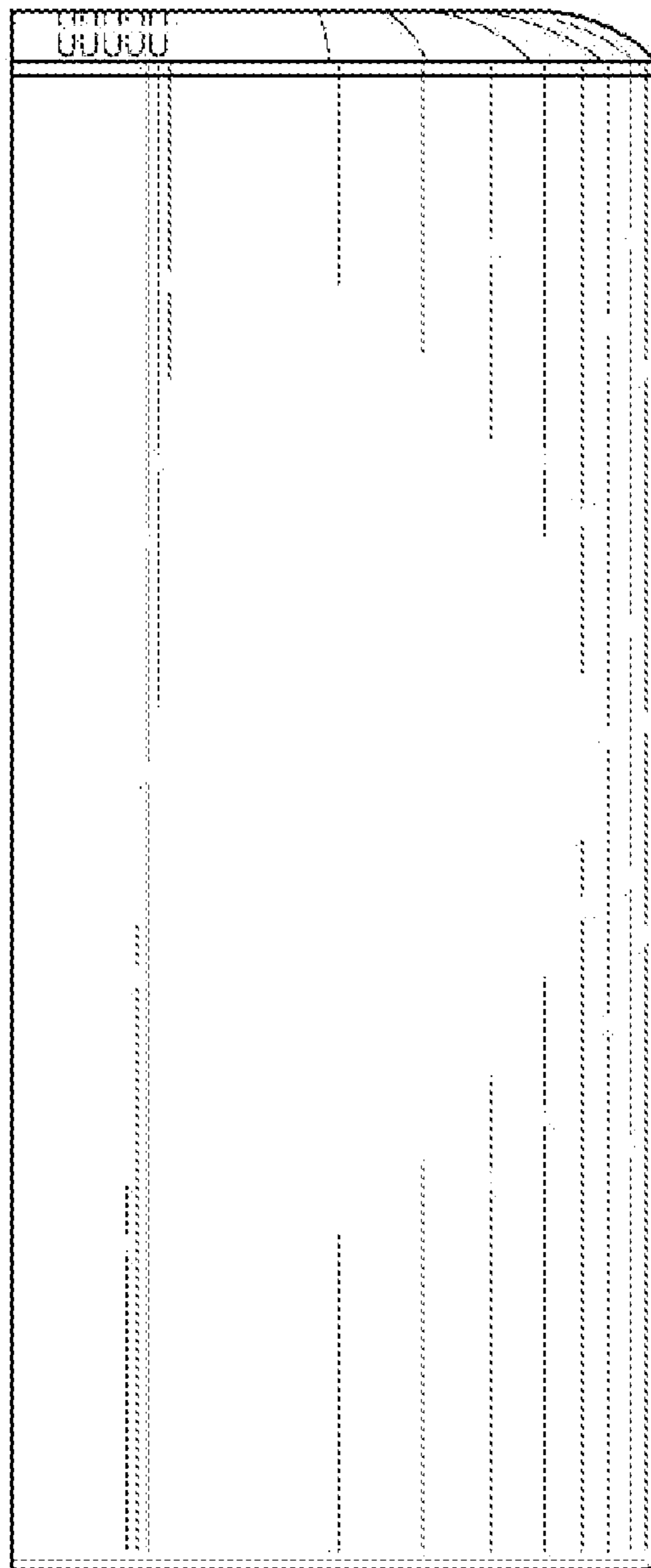


Fig. 6

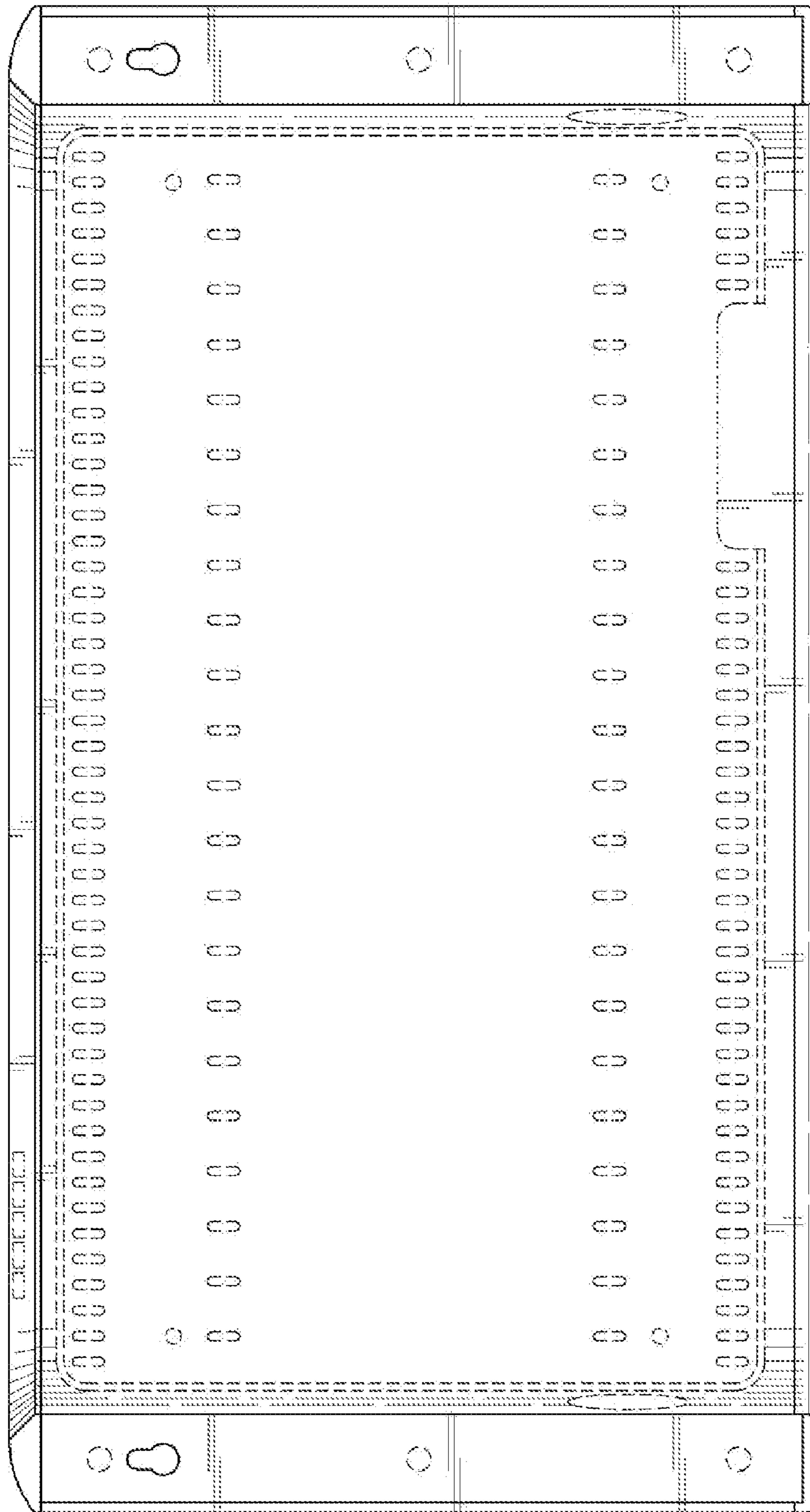


Fig. 7

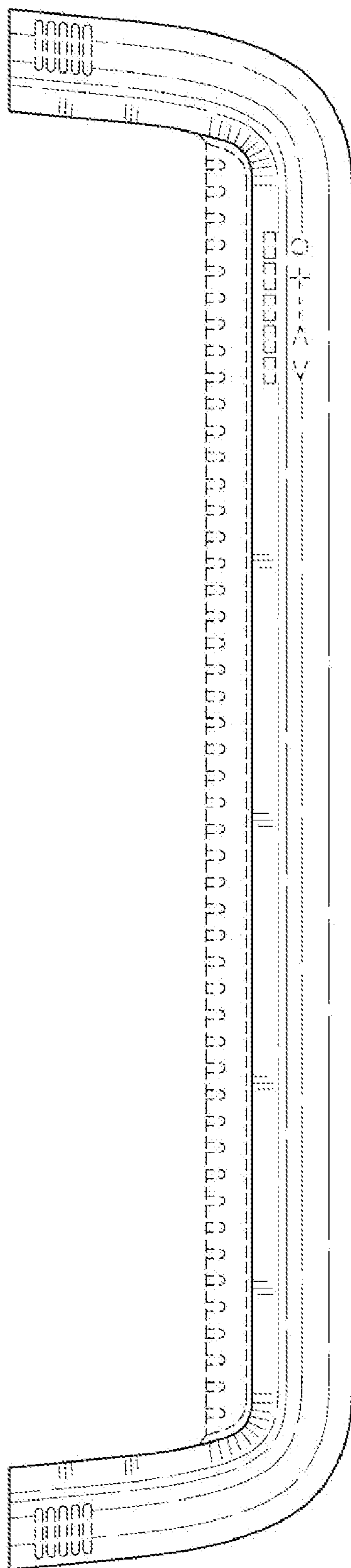


Fig. 8

