



US00D587663S

(12) **United States Design Patent**  
**Cometti**

(10) **Patent No.:** **US D587,663 S**  
(45) **Date of Patent:** **\*\* Mar. 3, 2009**

(54) **TELEVISION APPARATUS**

(75) Inventor: **Valerio Cometti**, San Dona di Piave (IT)

(73) Assignee: **Super//Fluo S.p.A**, Udine (IT)

(\*\*) Term: **14 Years**

(21) Appl. No.: **29/291,551**

(22) Filed: **Sep. 5, 2007**

(30) **Foreign Application Priority Data**

Mar. 6, 2007 (EM) ..... 683552

(51) **LOC (9) Cl.** ..... **14-03**

(52) **U.S. Cl.** ..... **D14/126**

(58) **Field of Classification Search** ..... D14/125-134,  
D14/239, 371, 136, 374-377, 440, 450, 448,  
D14/336, 342; 312/7.2; 348/836, 838, 180,  
348/184, 325, 739; 341/12; 248/917-924,  
248/465; 345/104, 133, 156, 168, 87, 173;  
720/605, 669, 600, 655; 369/99, 197; 455/344,  
455/347; D21/329, 515, 577, 622, 333, 433,  
D21/448, 452, 450, 331; D6/477, 479; 273/148 B;  
446/484, 175, 356; D10/15, 26

See application file for complete search history.

(56) **References Cited**

**U.S. PATENT DOCUMENTS**

D324,040 S \* 2/1992 Saito et al. .... D14/126  
5,100,098 A \* 3/1992 Hawkins ..... 248/291.1  
D403,670 S \* 1/1999 Liao ..... D14/375

D412,167 S \* 7/1999 Rosen ..... D14/126  
6,934,568 B2 \* 8/2005 Charlier et al. .... 455/575.3  
7,016,181 B2 \* 3/2006 Ito et al. .... 361/683  
D533,857 S \* 12/2006 Bradley ..... D14/126  
D541,238 S \* 4/2007 Smith ..... D14/126  
D546,348 S \* 7/2007 Yuyama ..... D14/496  
D563,915 S \* 3/2008 Profit ..... D14/126  
D564,995 S \* 3/2008 Gray ..... D14/132  
2006/0050473 A1 \* 3/2006 Zheng ..... 361/681

\* cited by examiner

*Primary Examiner*—Raphael Barkai

(74) *Attorney, Agent, or Firm*—Hamre, Schumann, Mueller & Larson, P.C.

(57) **CLAIM**

The ornamental design for television apparatus, as shown and described.

**DESCRIPTION**

FIG. 1 is a front perspective view of a television apparatus in accordance with my invention thereof;

FIG. 2 is a back perspective view thereof;

FIG. 3 is a front view thereof;

FIG. 4 is a left side view thereof;

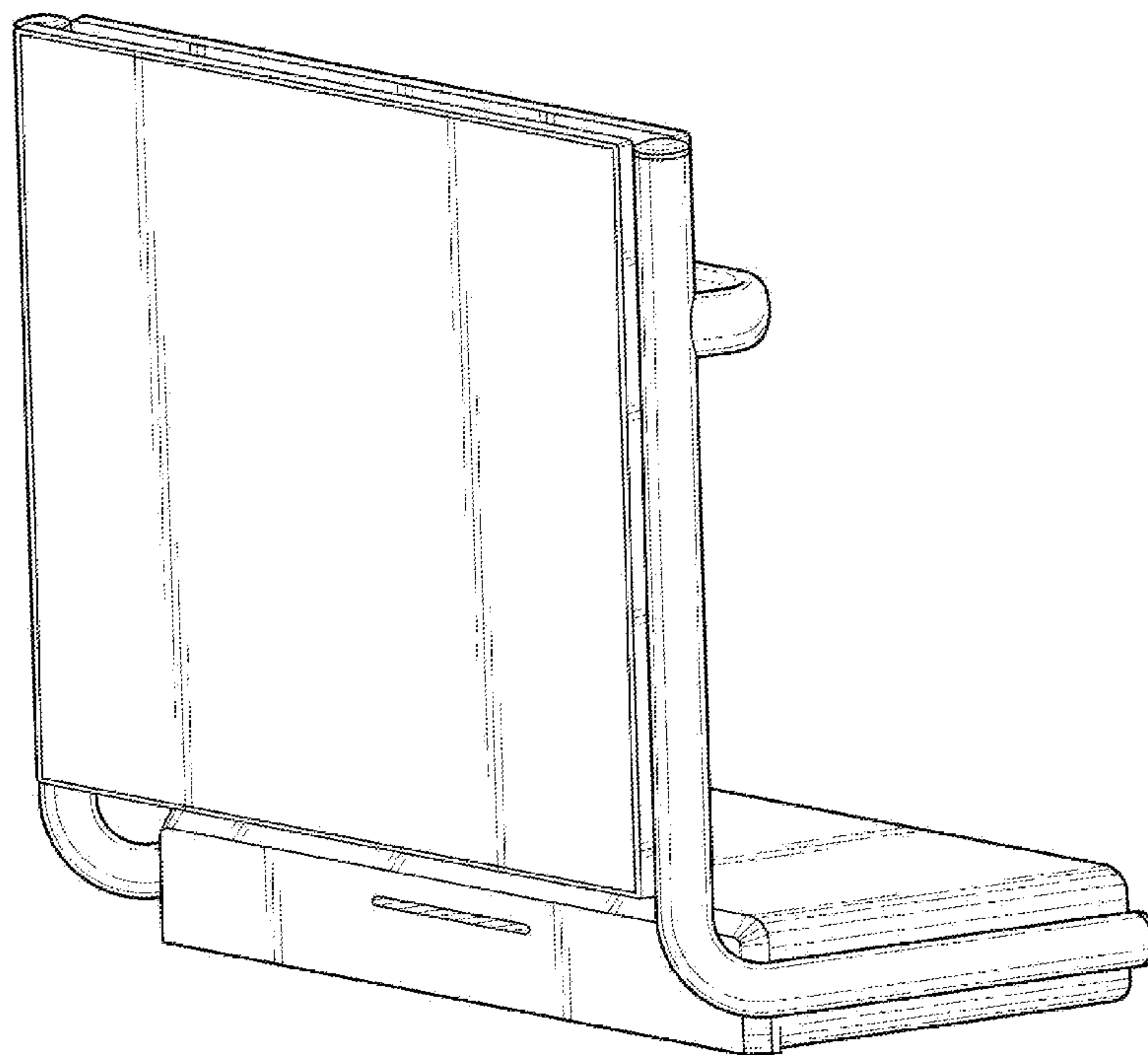
FIG. 5 is a right side view thereof;

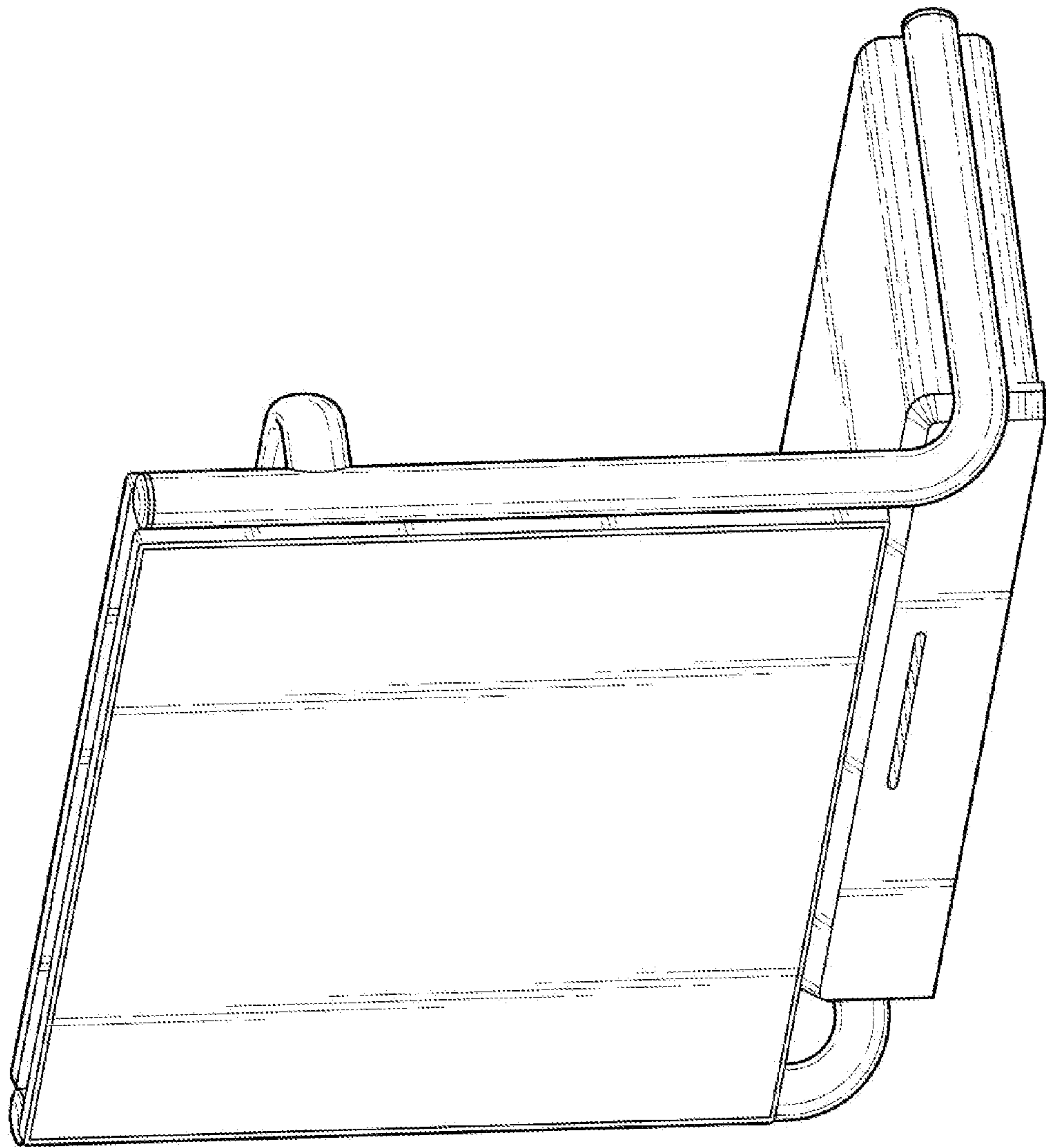
FIG. 6 is a back view thereof;

FIG. 7 is a top view thereof; and,

FIG. 8 is a bottom view thereof.

**1 Claim, 8 Drawing Sheets**





*Fig. 1*

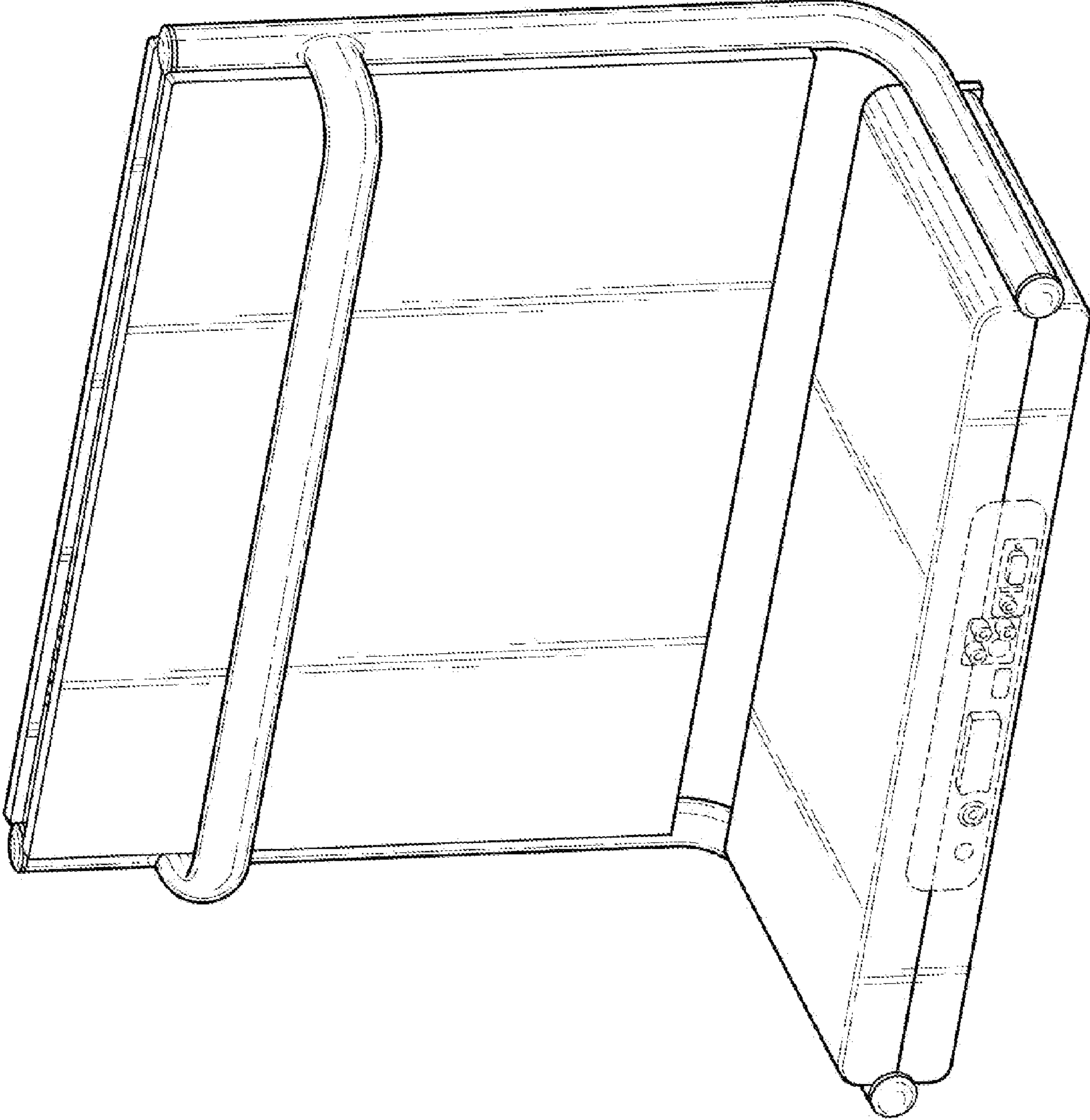


Fig. 2

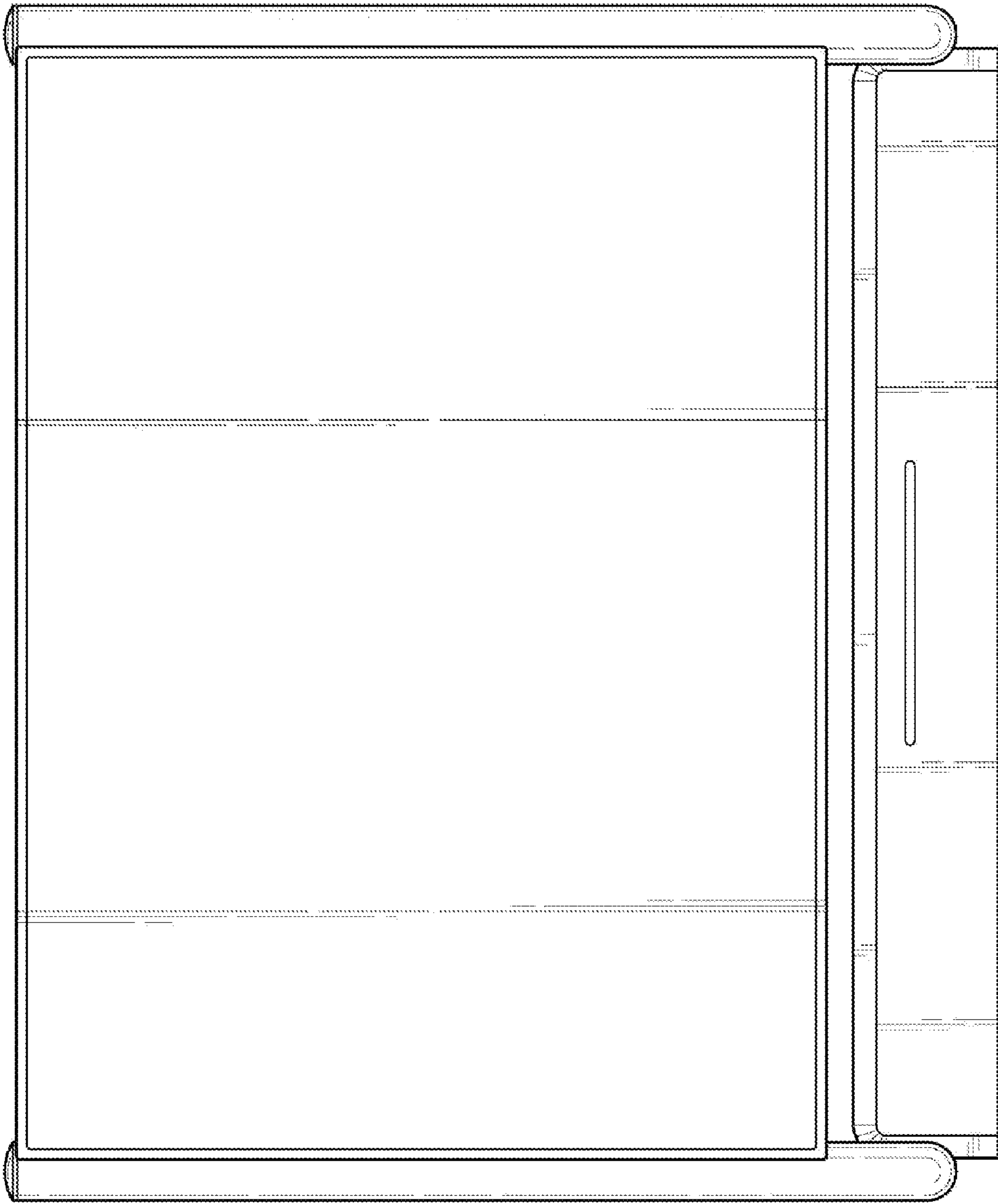
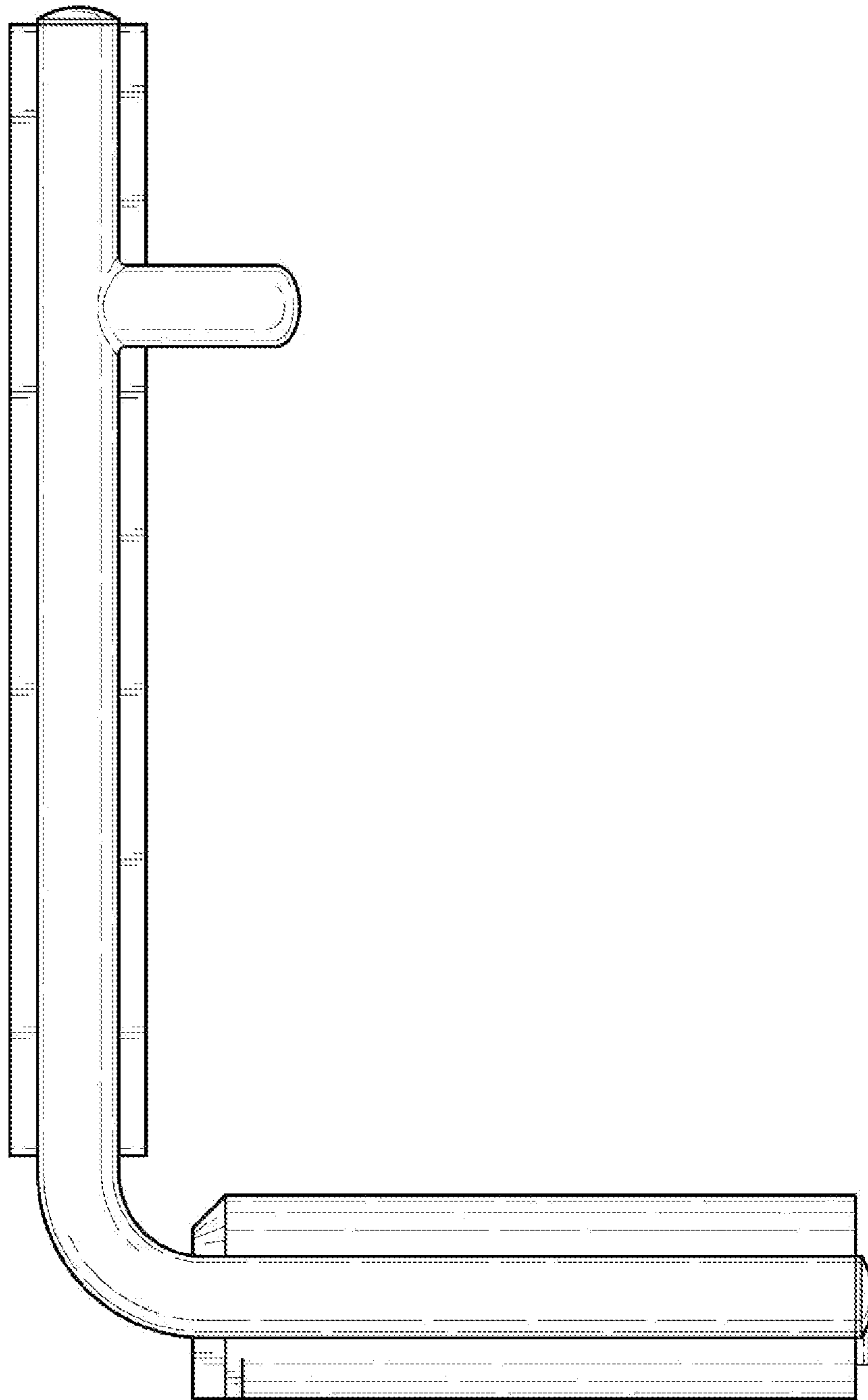


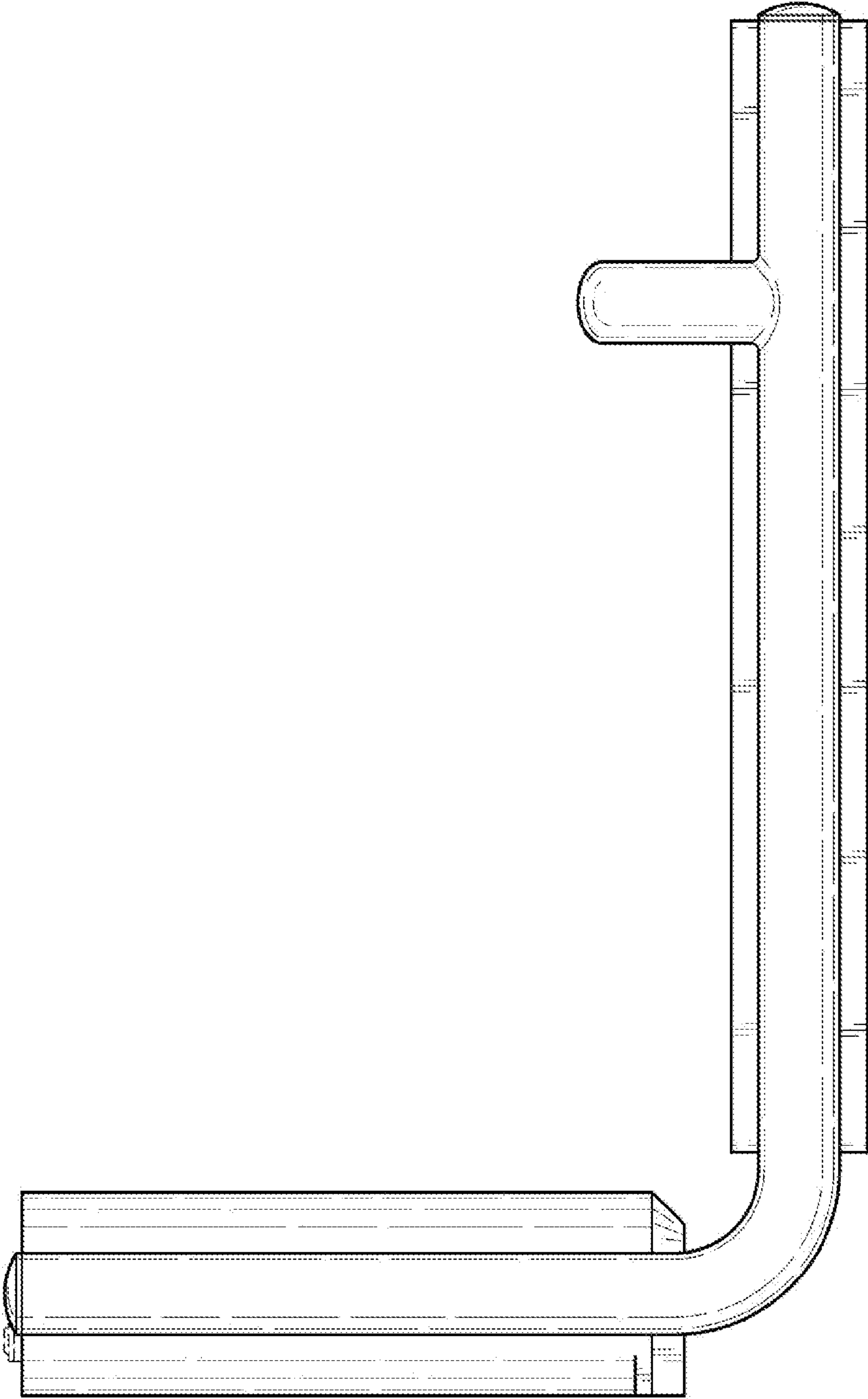
Fig. 3

*Fig. 4*





*Fig. 5*



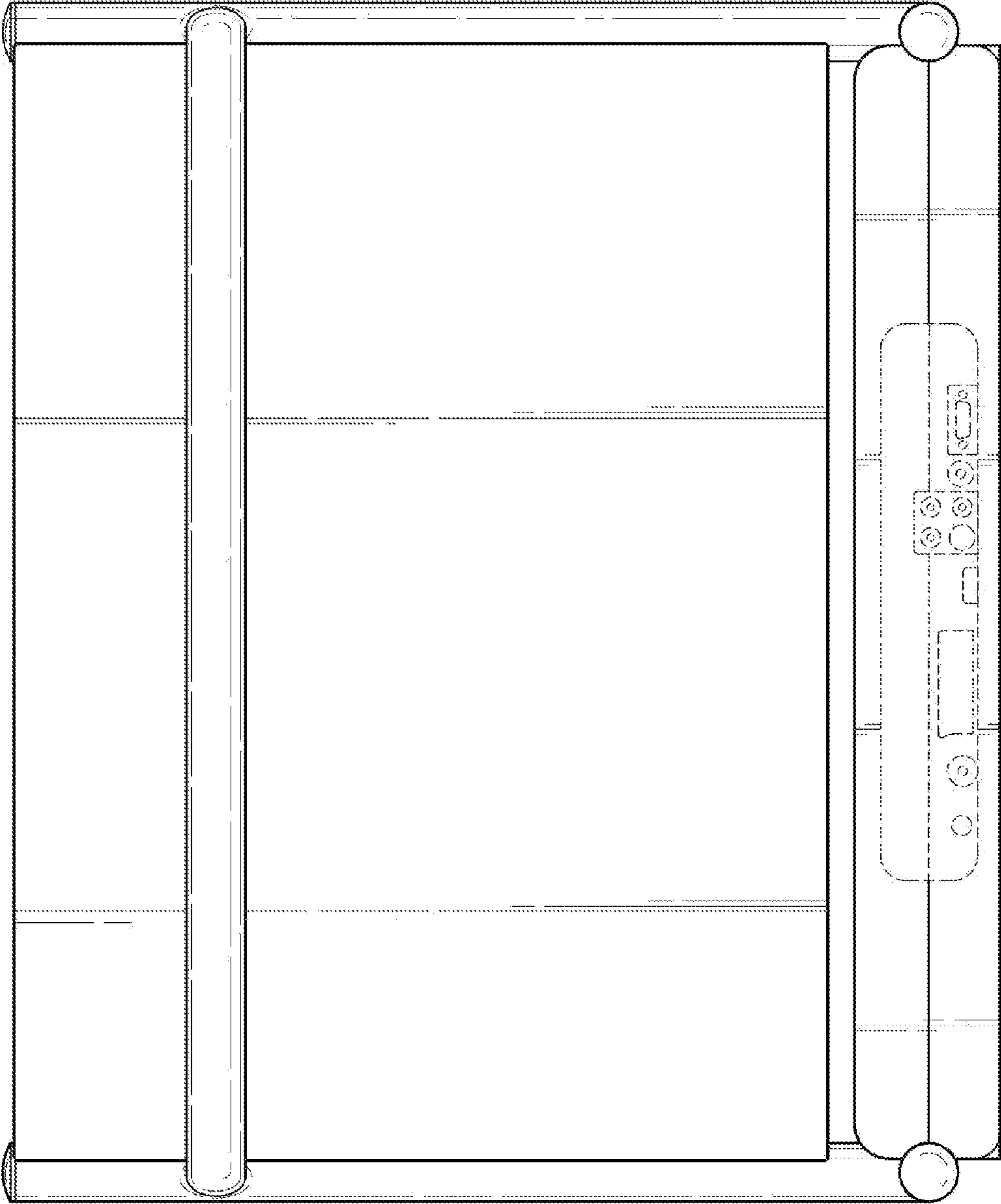


Fig. 6

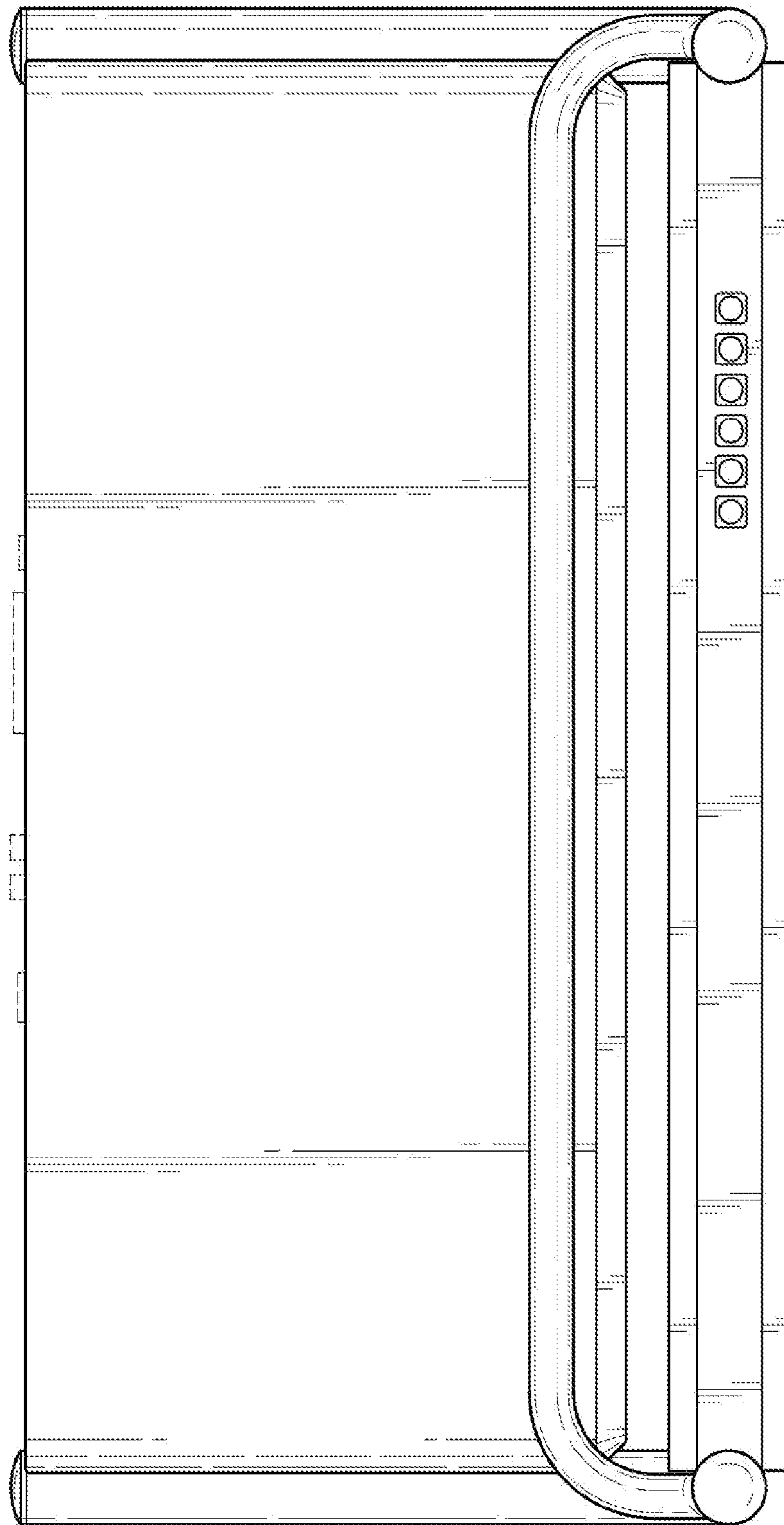


Fig. 7



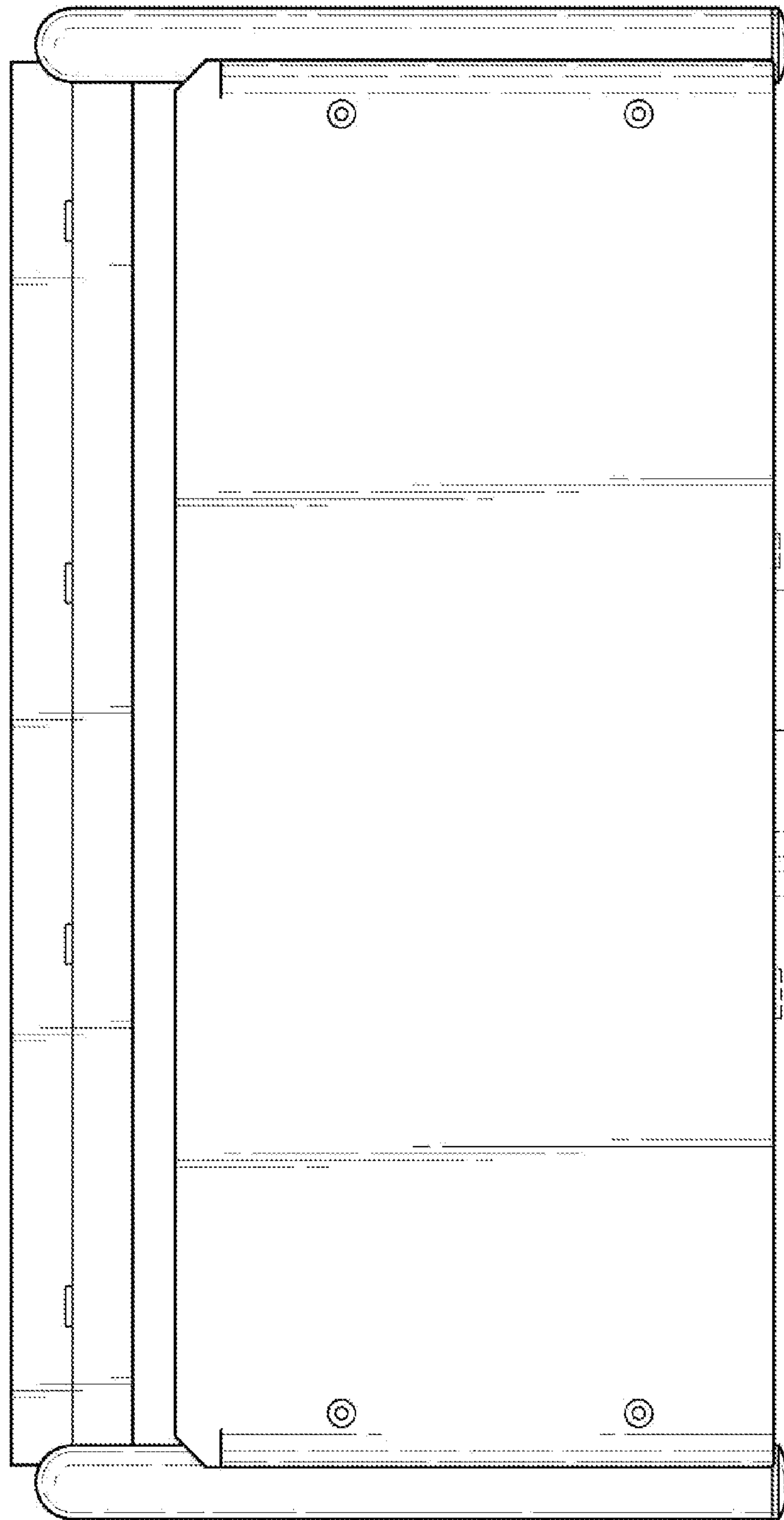


Fig. 8