



US00D587661S

(12) **United States Design Patent**
Blakesley

(10) **Patent No.:** **US D587,661 S**

(45) **Date of Patent:** **** Mar. 3, 2009**

(54) **ACTUATOR**

(75) Inventor: **Patrick B. Blakesley**, Bristol, IN (US)

(73) Assignee: **CTS Corporation**, Elkhart, IN (US)

(**) Term: **14 Years**

(21) Appl. No.: **29/301,657**

(22) Filed: **Mar. 12, 2008**

(51) **LOC (9) Cl.** **13-03**

(52) **U.S. Cl.** **D13/174; D13/158**

(58) **Field of Classification Search** D13/158,
D13/171, 173, 174, 184; 200/43.11, 43.13,
200/237, 238, 275, 293, 302.1, 308, 310,
200/313, 316, 329, 336, 341

See application file for complete search history.

(56) **References Cited**

U.S. PATENT DOCUMENTS

4,654,487	A *	3/1987	Sawada	200/1 V
5,008,503	A *	4/1991	Stuhlmacher	200/308
D349,101	S *	7/1994	Schaeffer	D13/174
5,491,311	A *	2/1996	Muscat et al.	200/4
5,613,600	A *	3/1997	Yokoji et al.	200/564
5,821,480	A *	10/1998	Machida	200/4
5,877,463	A *	3/1999	Choi	200/4

D409,156	S *	5/1999	Taylor et al.	D13/174
D456,012	S *	4/2002	Pratt	D13/171
D538,237	S *	3/2007	Castaldo	D13/169

* cited by examiner

Primary Examiner—Daniel D Bui

Assistant Examiner—Thomas J Johannes

(74) *Attorney, Agent, or Firm*—Daniel J. Deneufbourg; Mark P. Bourgeois

(57) **CLAIM**

The ornamental design for an actuator, as shown and described.

DESCRIPTION

FIG. 1 is a top perspective view of an actuator showing my new design;

FIG. 2 is a bottom perspective view thereof;

FIG. 3 is a side elevational view of the actuator thereof;

FIG. 4 is an opposite side elevational view thereof;

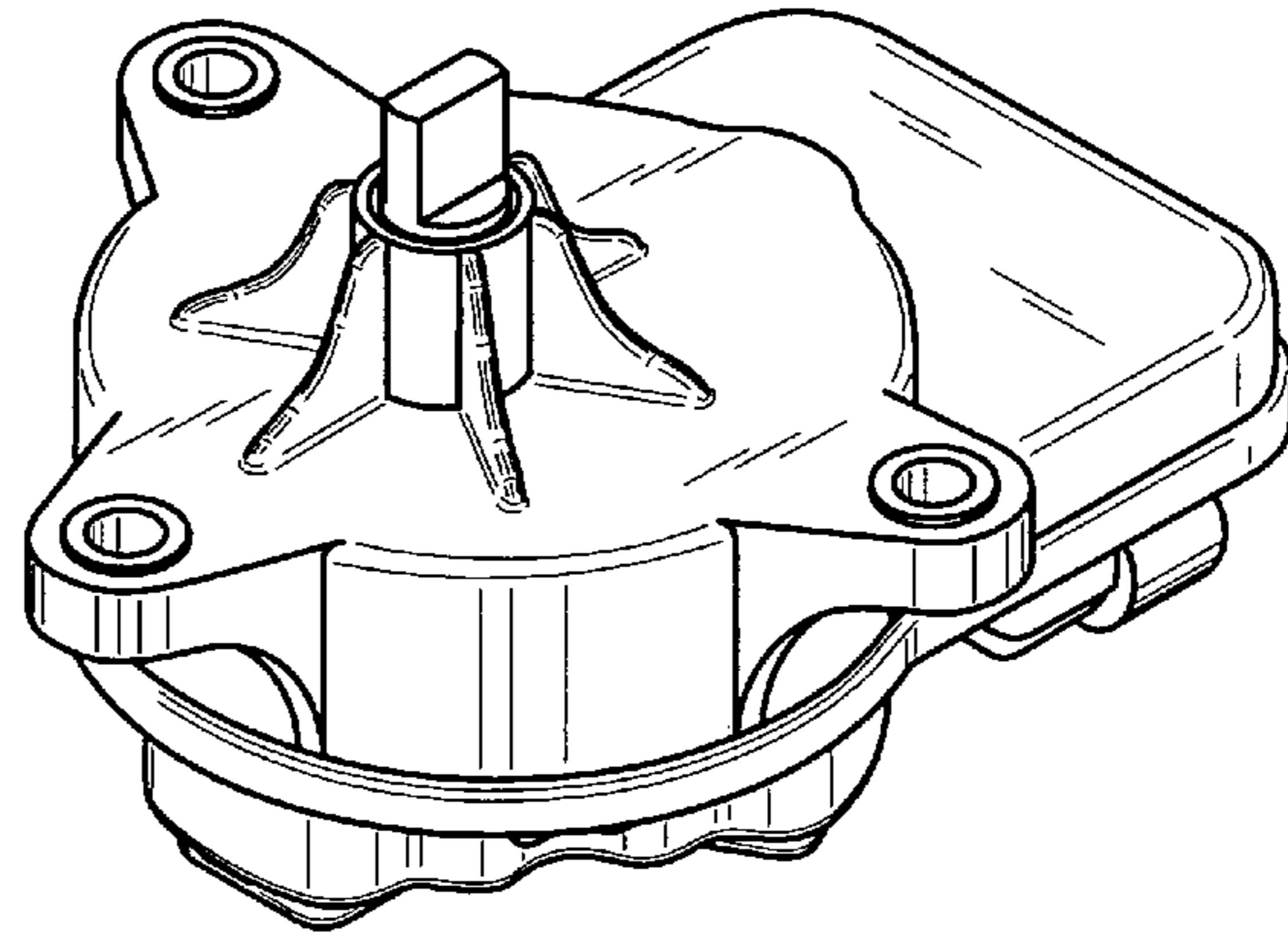
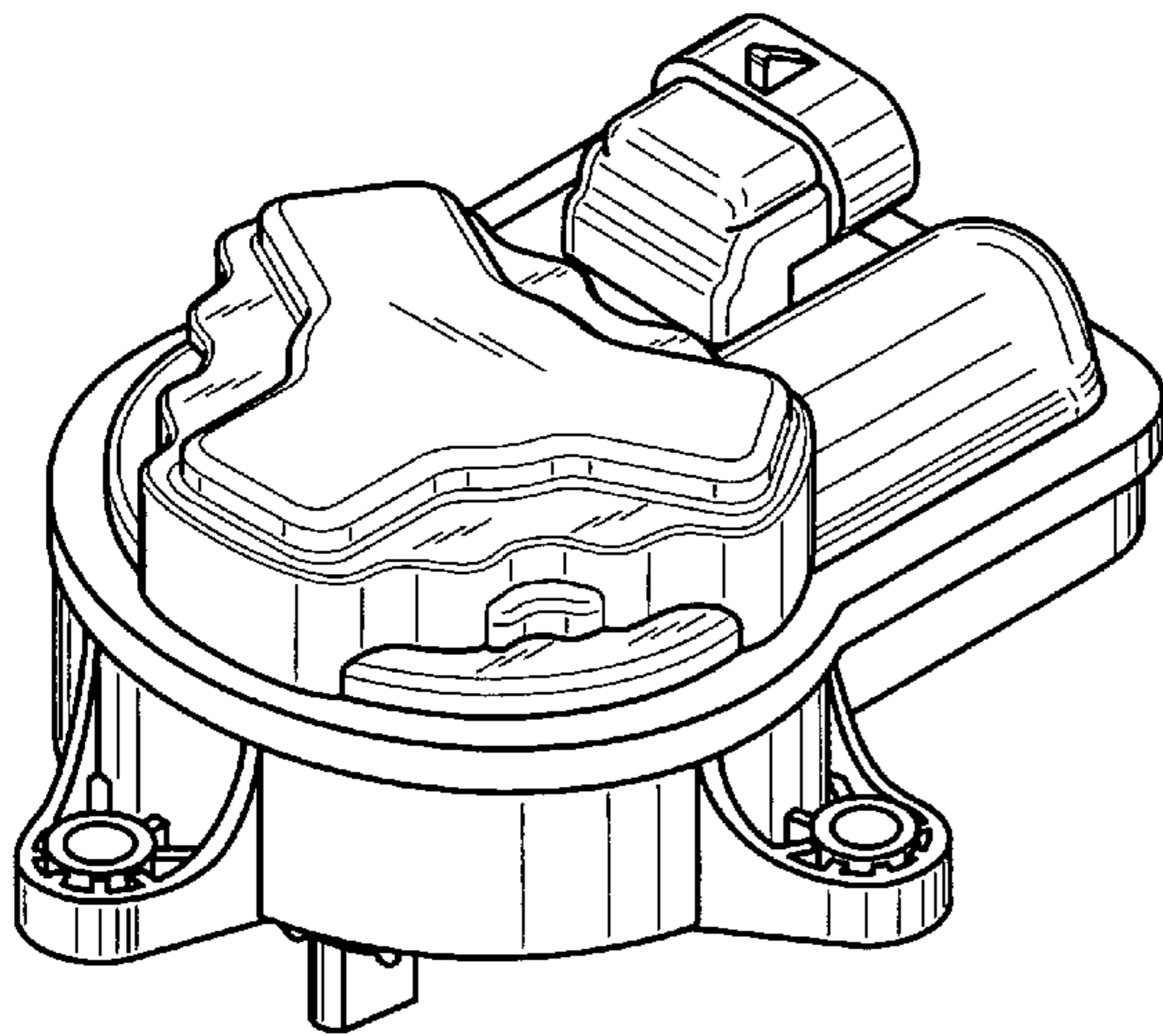
FIG. 5 is a top plan view thereof;

FIG. 6 is a bottom plan view thereof;

FIG. 7 is a front elevational view thereof; and,

FIG. 8 is a rear elevational view thereof.

1 Claim, 4 Drawing Sheets



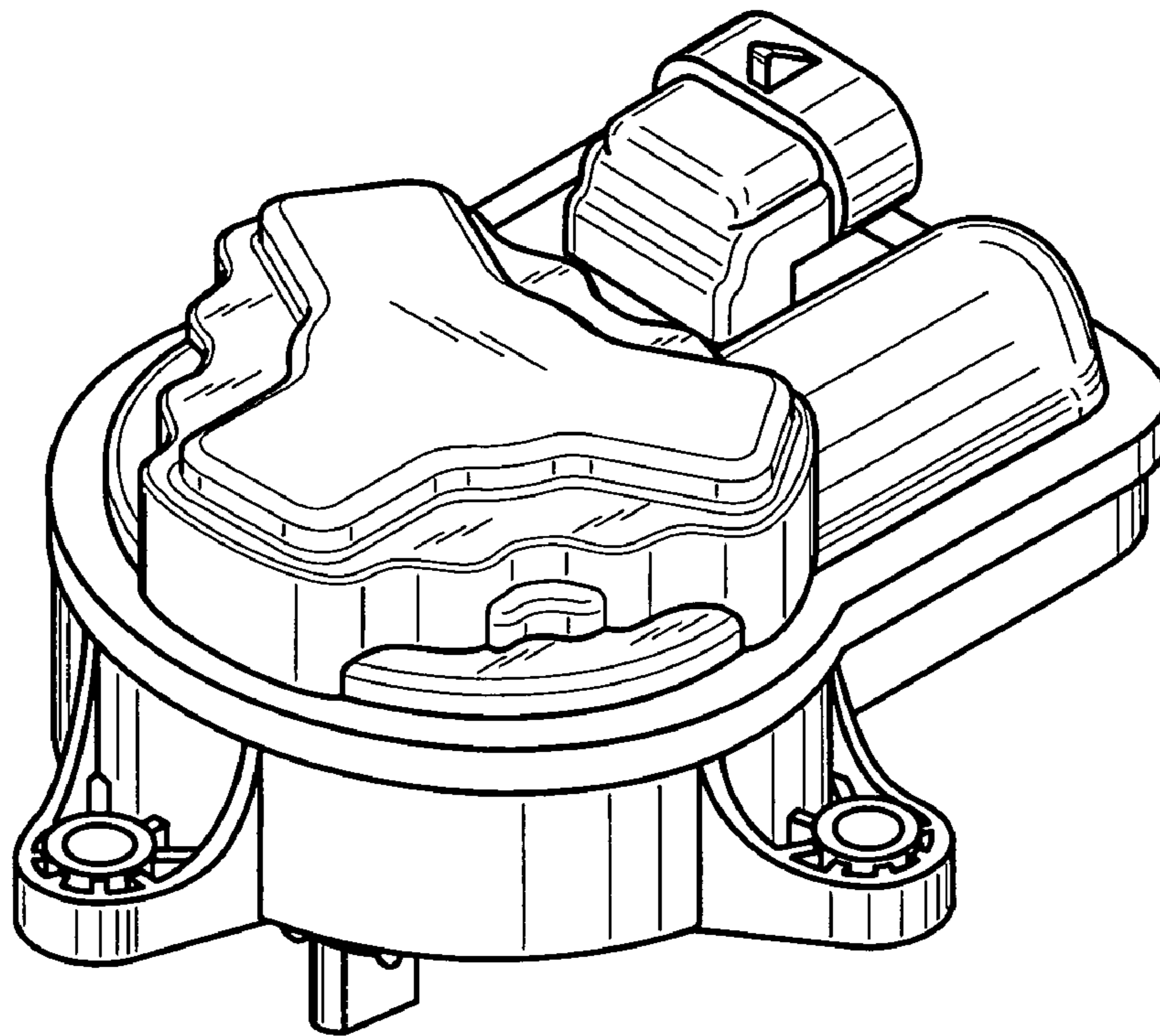


FIGURE 1

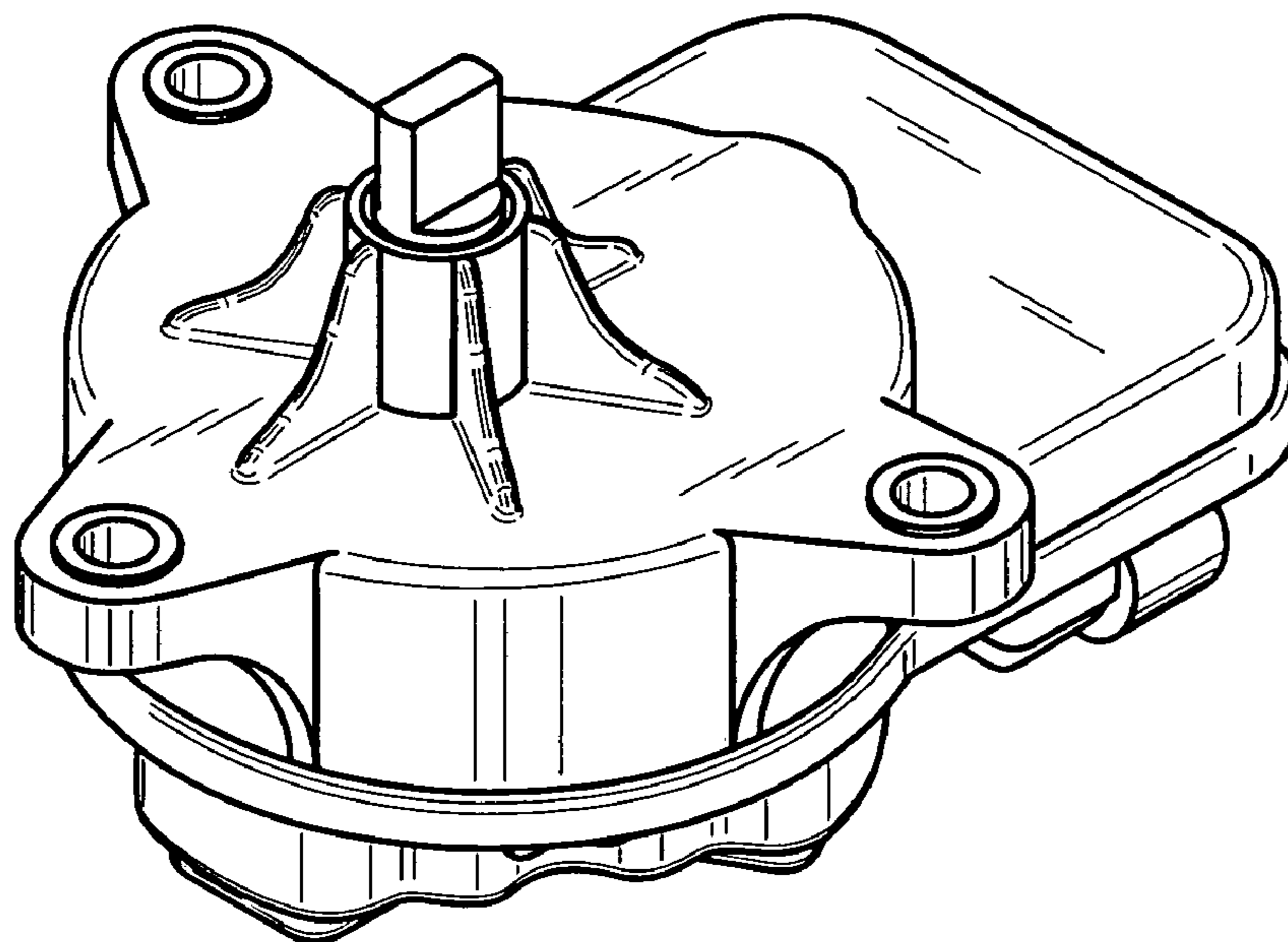


FIGURE 2

FIGURE 3

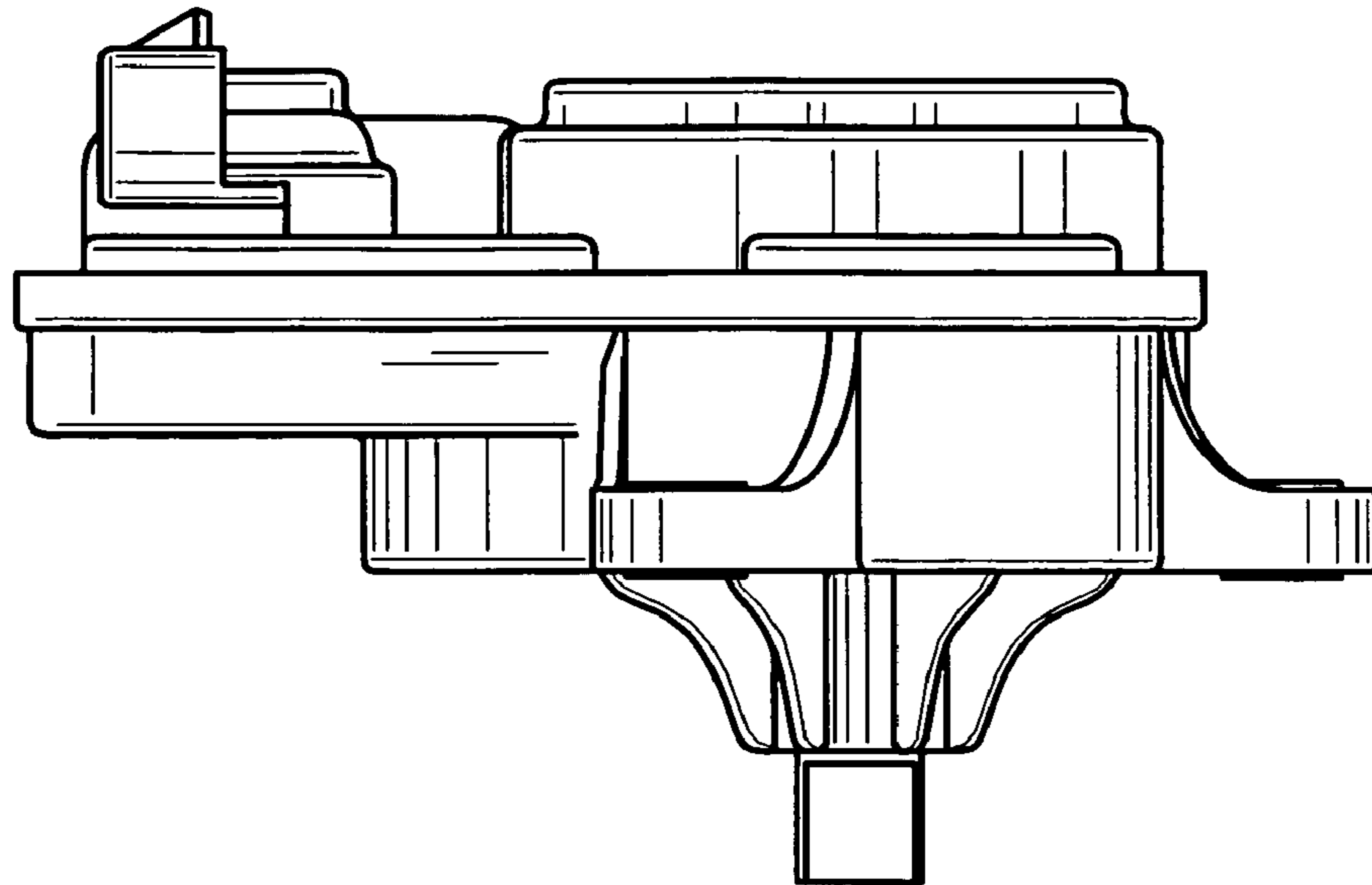
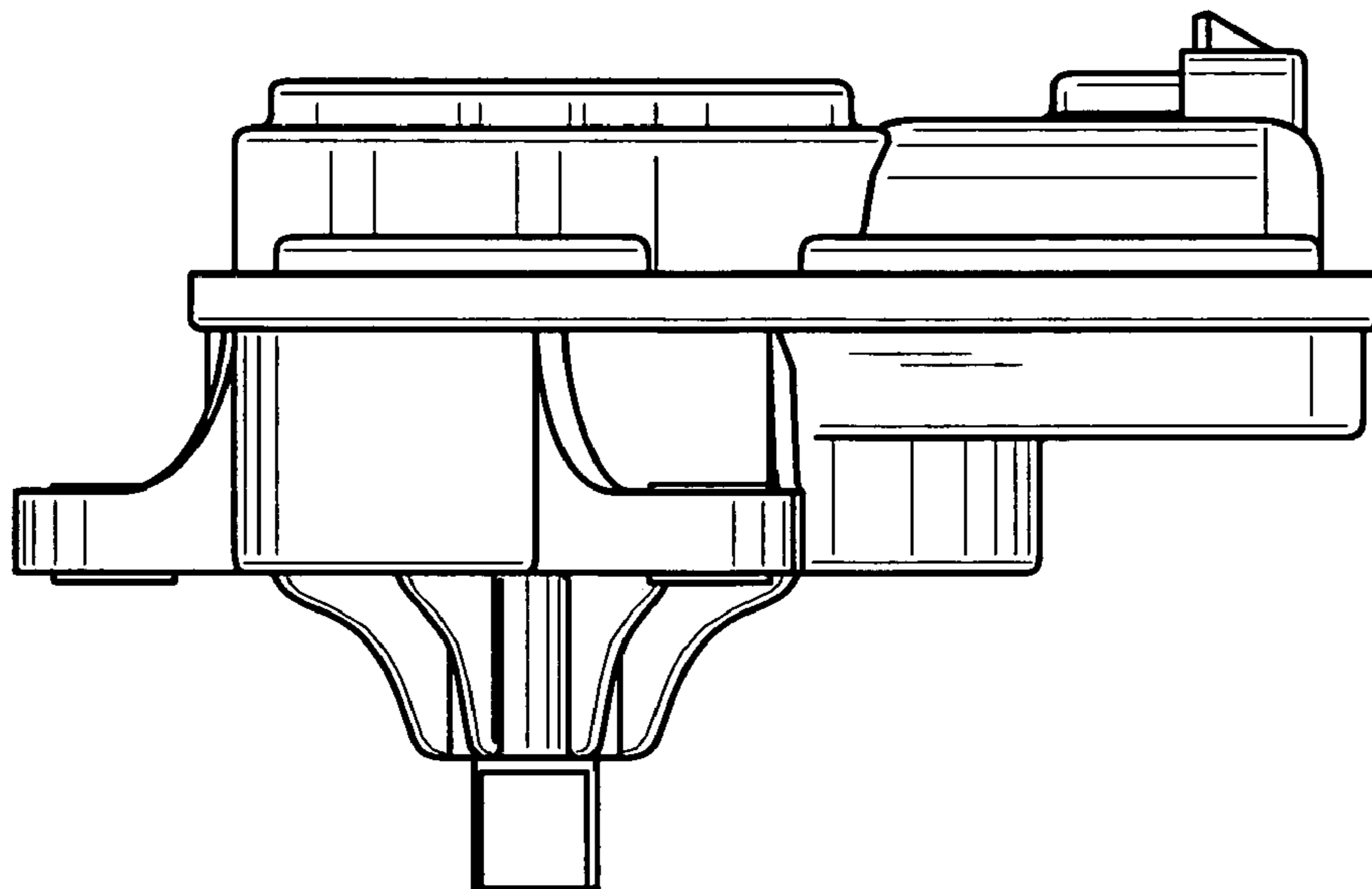


FIGURE 4



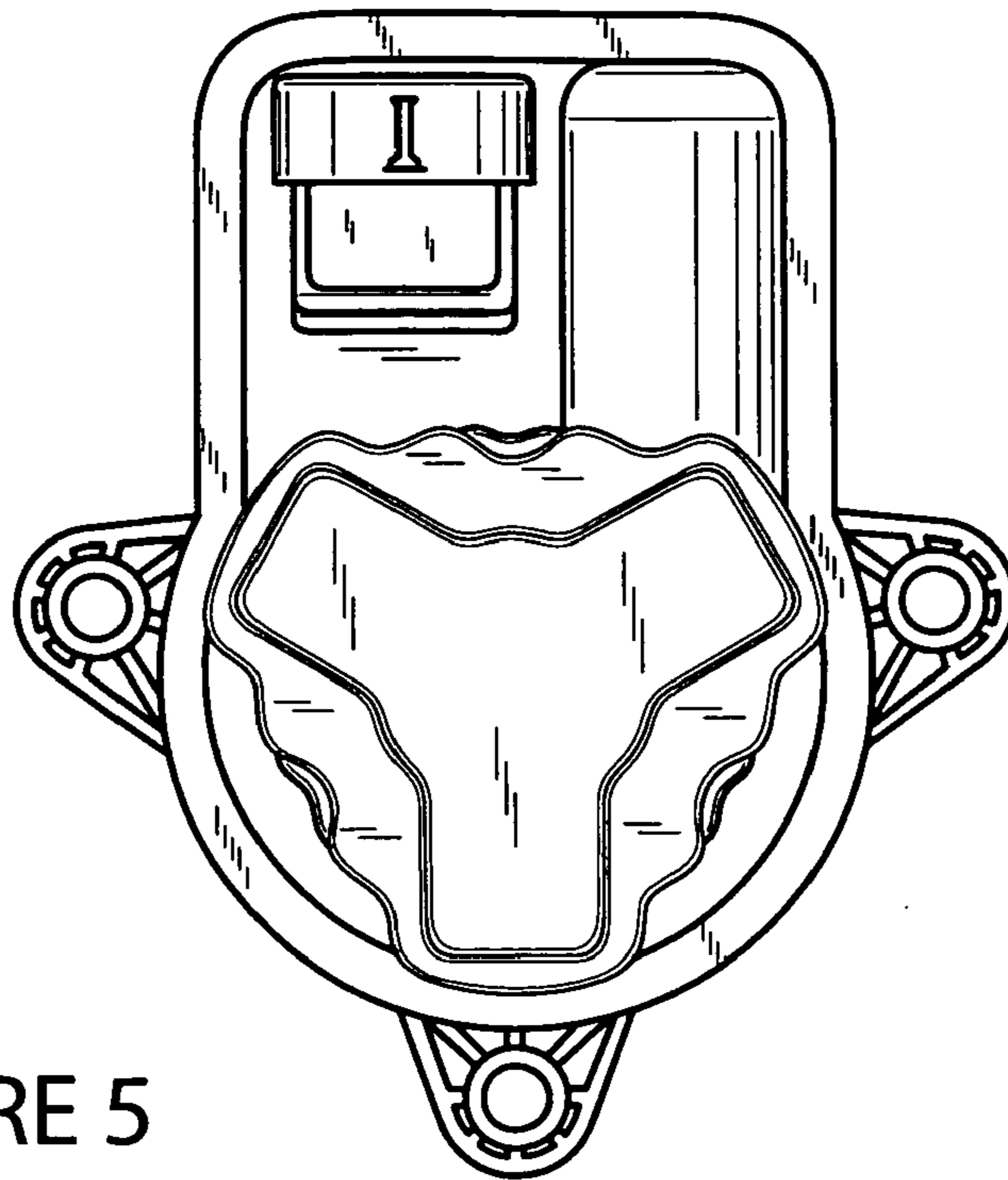


FIGURE 5

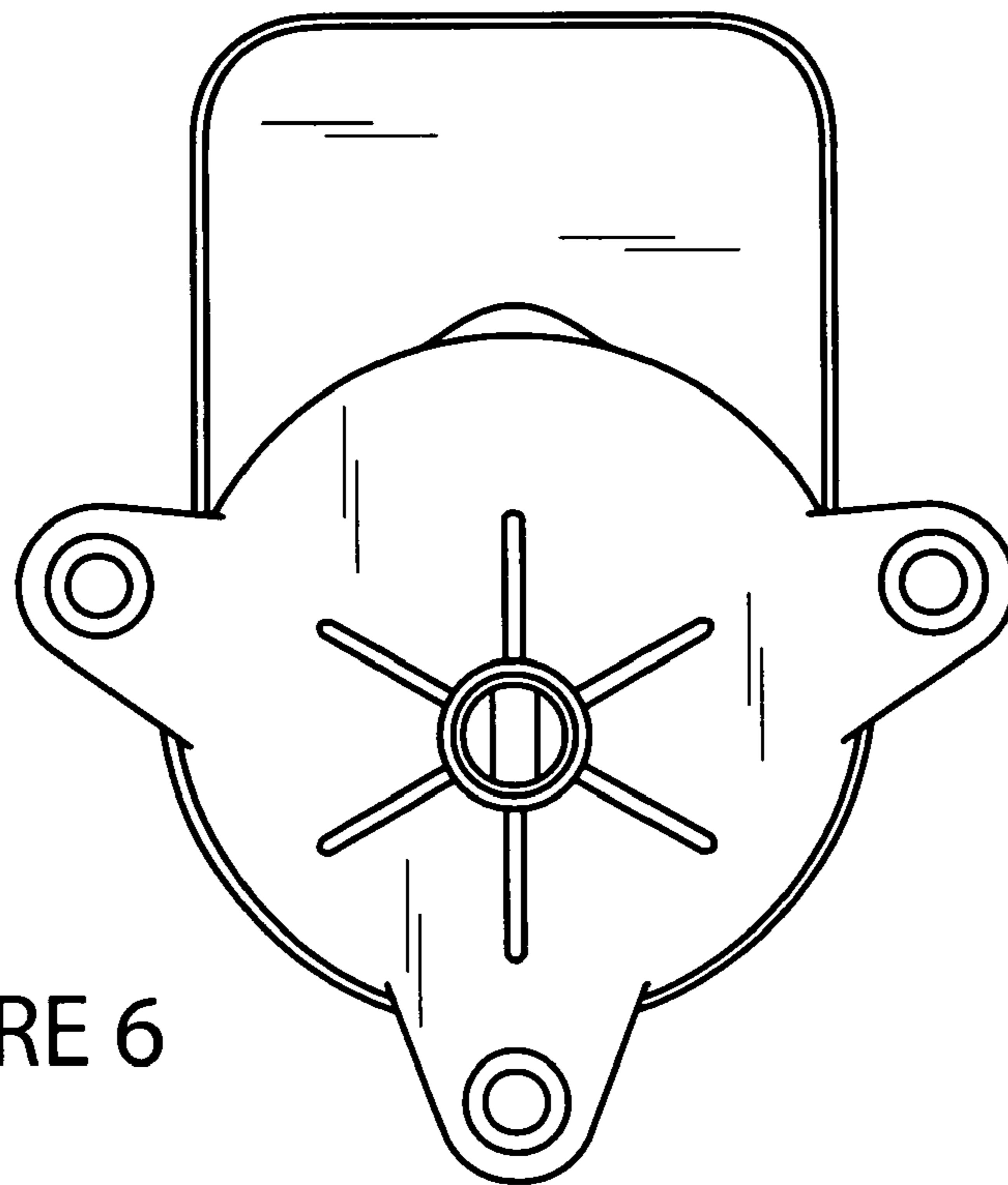


FIGURE 6

FIGURE 7

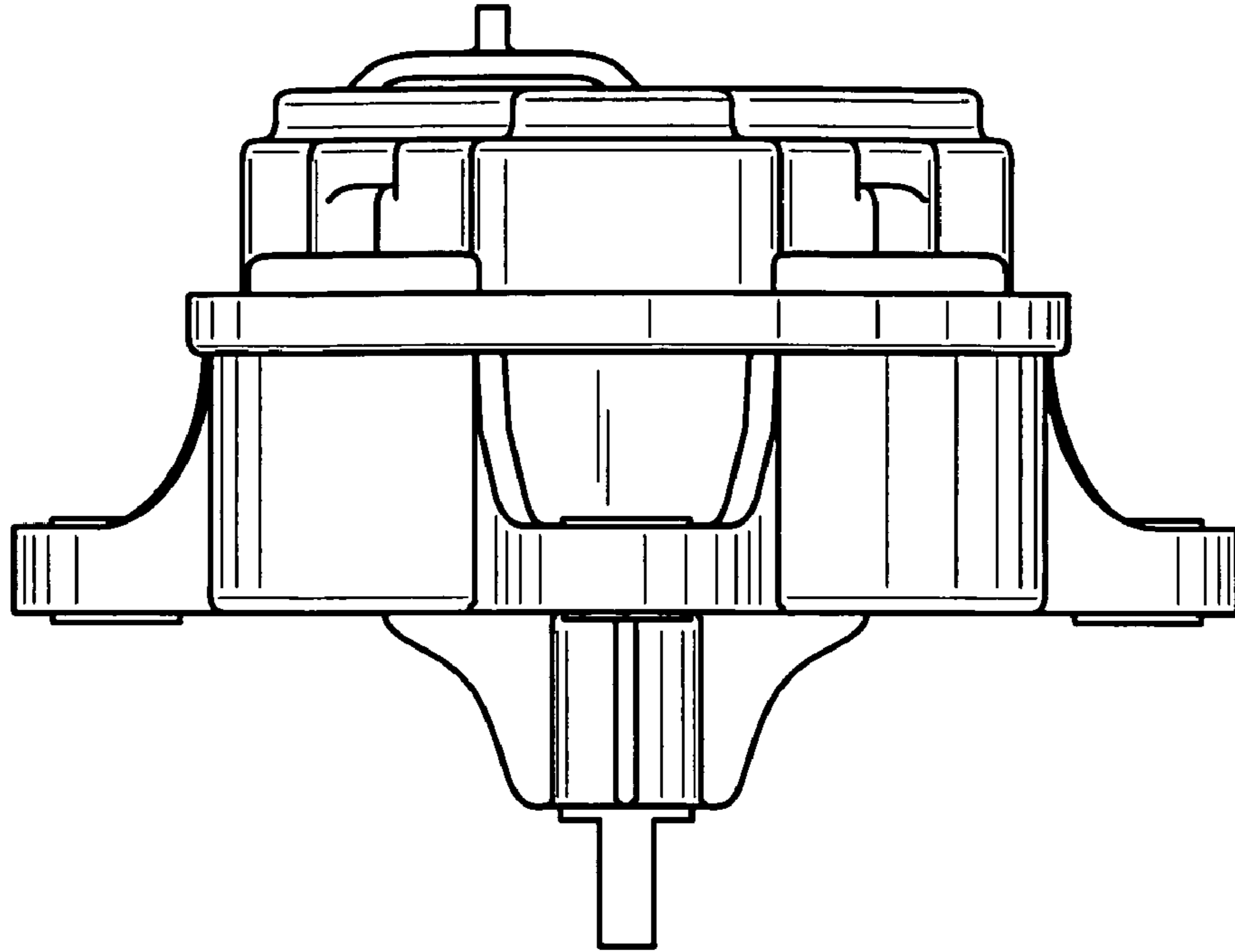


FIGURE 8

