

US00D587658S

(12) **United States Design Patent**
Azzola et al.

(10) **Patent No.:** **US D587,658 S**
(45) **Date of Patent:** **** Mar. 3, 2009**

(54) **CIRCUIT BREAKER**

2006/0118397 A1* 6/2006 Dahl et al. 200/50.01

(75) Inventors: **Lucio Azzola**, Bergamo (IT); **Giovanni Frassinetti**, Bergamo (IT)

FOREIGN PATENT DOCUMENTS

WO WO-DM/055273 4/2001

(73) Assignee: **ABB S.p.A.**, Milan (IT)

OTHER PUBLICATIONS

(**) Term: **14 Years**

Co-pending U.S. Appl. No. 29/188,211 by L. Azzola filed Aug. 15, 2003.

(21) Appl. No.: **29/241,662**

Co-pending U.S. Appl. No. 29/213,604 by L. Azzola filed Sep. 22, 2004.

(22) Filed: **Oct. 31, 2005**

ABB SACE L.V., SACE Emax. A system that's open to any solution, 604060/011 en, Jul. 1999.

(30) **Foreign Application Priority Data**

Terasaki Electric, Revolution in circuit breaker technology, 35 pp, dated unknown.

May 10, 2005 (EM) 000341169

* cited by examiner

(51) **LOC (9) Cl.** **13-03**

Primary Examiner—Selina Sikder

(52) **U.S. Cl.** **D13/160**

(74) *Attorney, Agent, or Firm*—Connolly Bove Lodge & Hutz LLP; Myron K. Wyche

(58) **Field of Classification Search** D13/160;
200/43.14, 50.01, 50.21–50.23, 293, 400,
200/401; 361/42, 44, 45, 50, 71, 115, 608,
361/634

See application file for complete search history.

(57) **CLAIM**

The ornamental design for a “circuit breaker,” as shown and described.

(56) **References Cited**

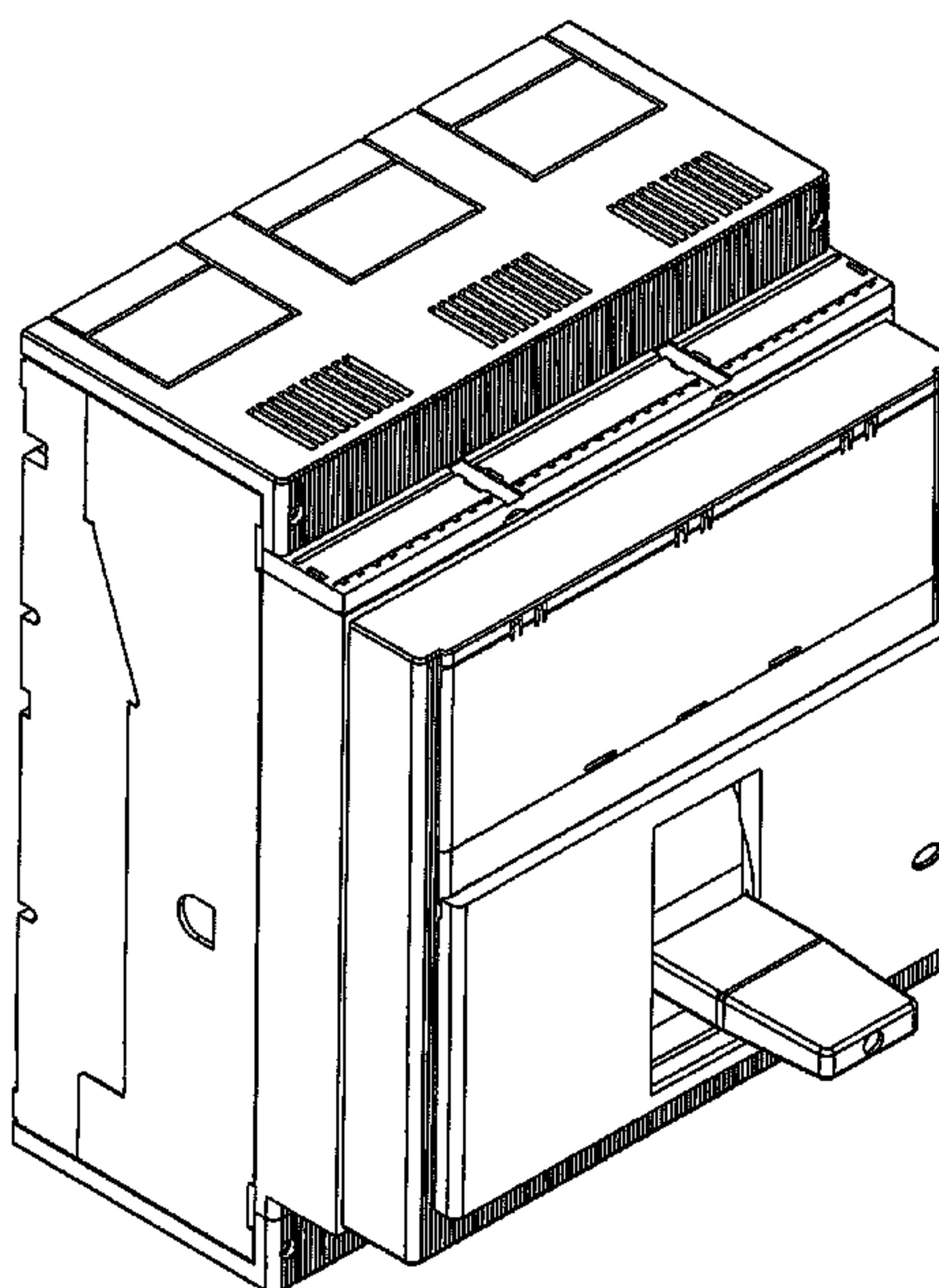
U.S. PATENT DOCUMENTS

- 4,728,757 A * 3/1988 Buxton et al. 200/50.21
- 5,362,933 A * 11/1994 Kutsche et al. 200/401
- D378,914 S * 4/1997 Smith et al. D13/160
- 5,717,178 A * 2/1998 Turner et al. 200/50.01
- D402,267 S * 12/1998 M'Sadoques D13/160
- 5,902,973 A * 5/1999 Ramey et al. 200/50.01
- 6,177,641 B1 * 1/2001 Morel et al. 200/50.26
- 6,388,867 B1 * 5/2002 Rakus et al. 361/605
- 6,445,559 B1 * 9/2002 Phillips et al. 361/115
- 6,489,577 B2 * 12/2002 Kurata 200/331
- 7,064,283 B2 * 6/2006 Deylitz et al. 200/50.21
- 2001/0025773 A1 * 10/2001 Rane et al. 200/50.21
- 2004/0045796 A1 * 3/2004 Azzola et al. 200/50.01

DESCRIPTION

FIG. 1 is a perspective view the circuit breaker;
 FIG. 2 is a front view the circuit breaker;
 FIG. 3 is a right view the circuit breaker wherein the broken line showing of the environment is for illustrative purpose only and forms no part of the claimed design.
 FIG. 4 is a left view the circuit breaker;
 FIG. 5 is a bottom view the circuit breaker; and,
 FIG. 6 is a top view the circuit breaker.

1 Claim, 6 Drawing Sheets



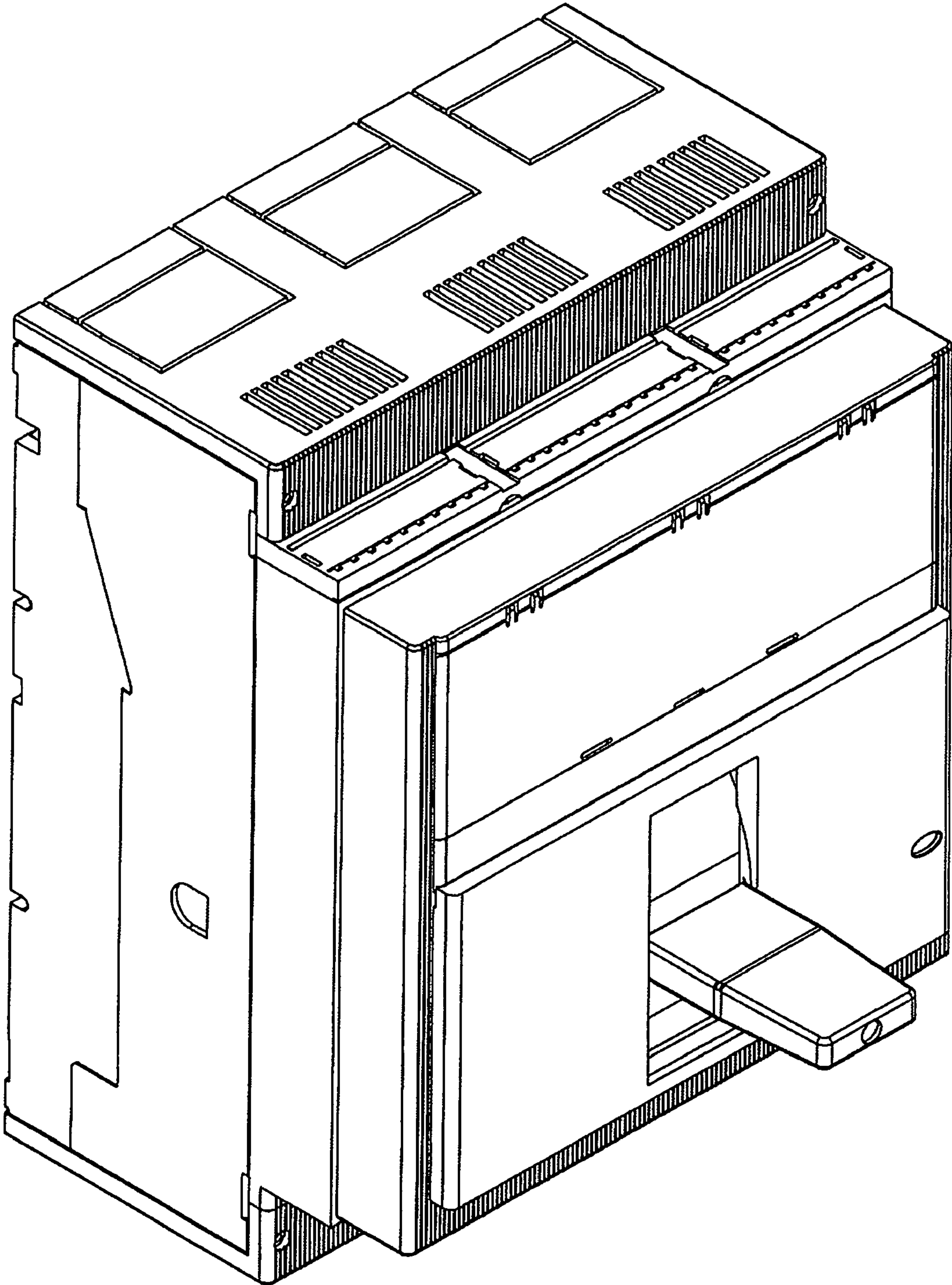


FIG. 1

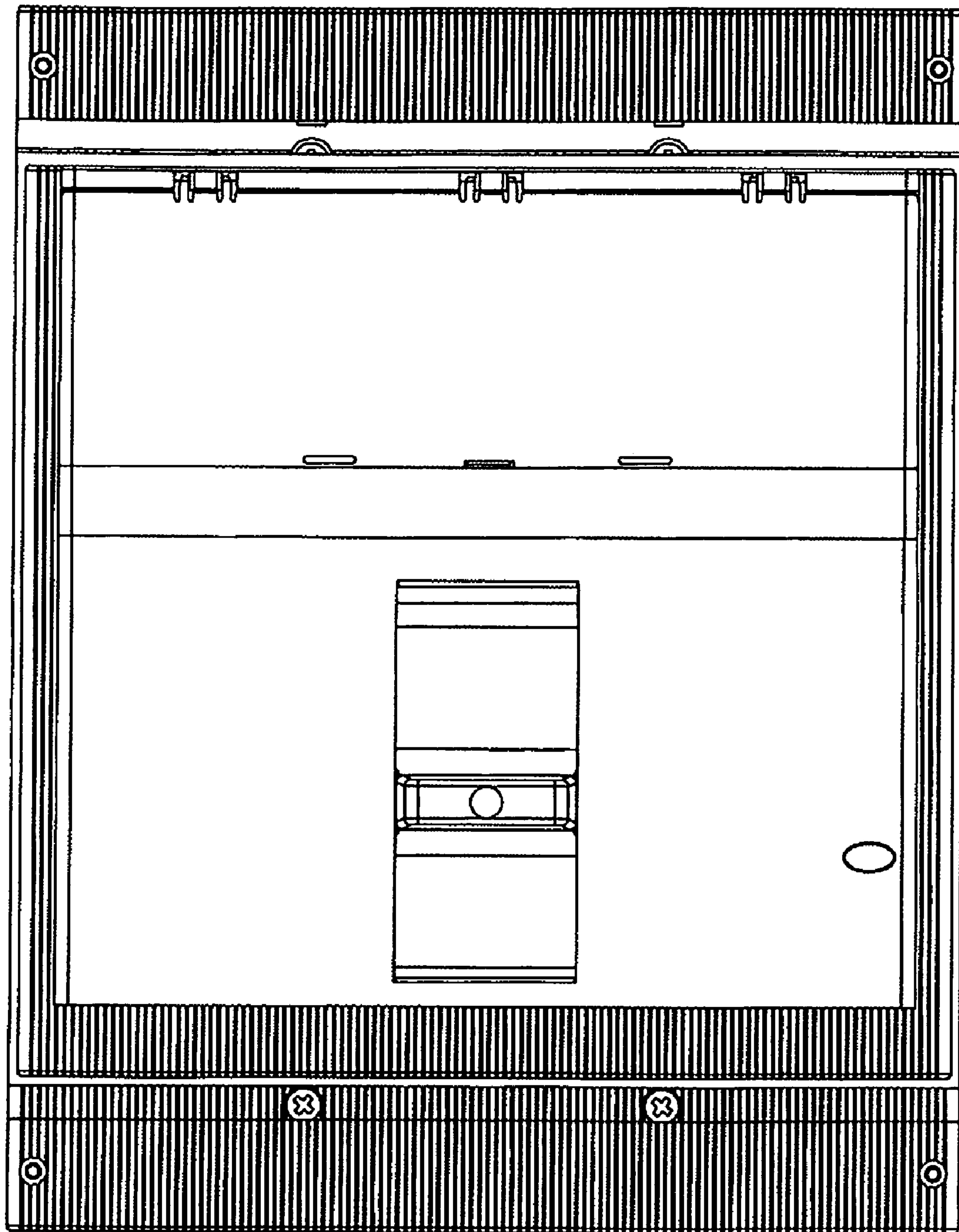


FIG. 2

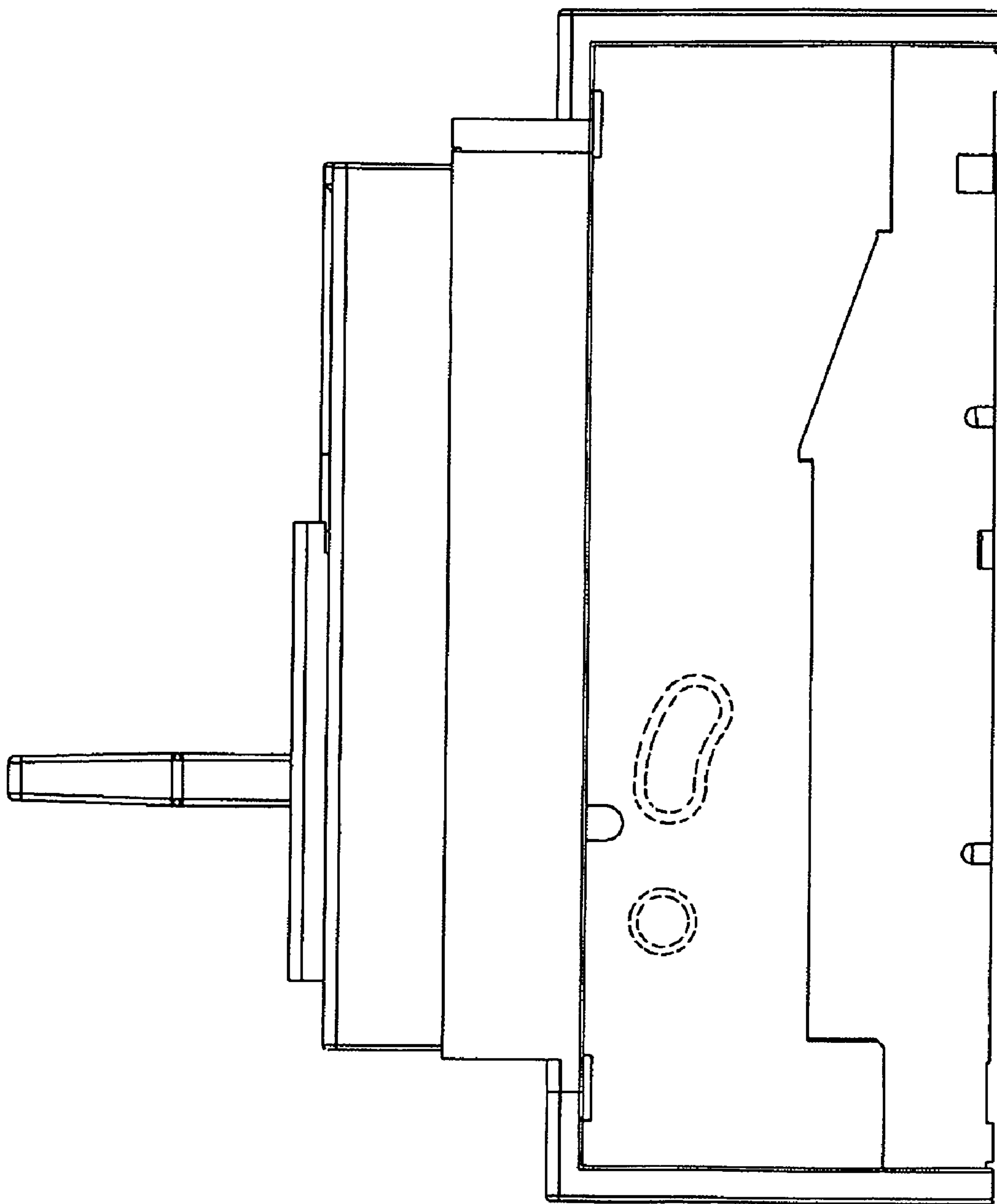


FIG. 3

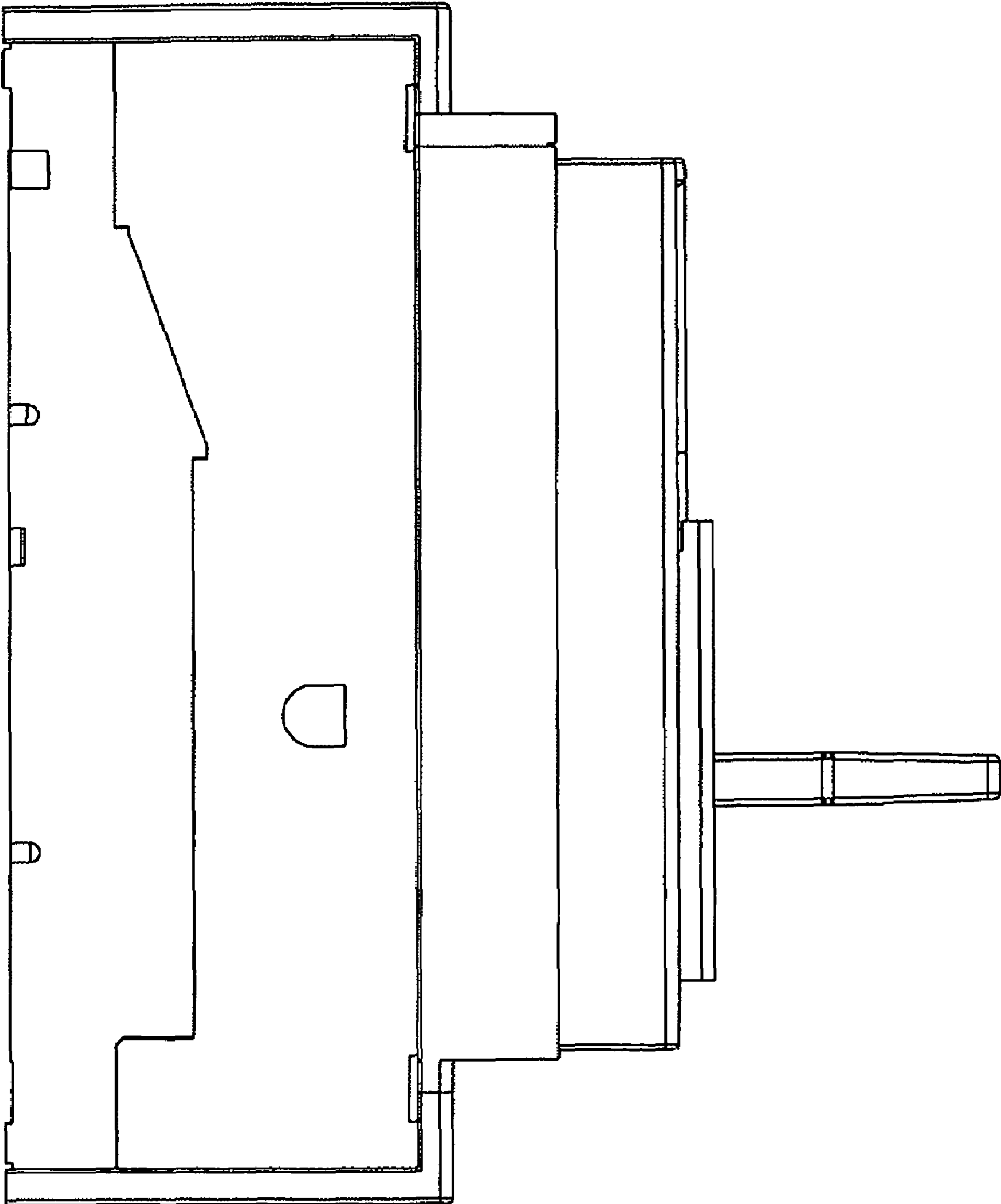


FIG. 4

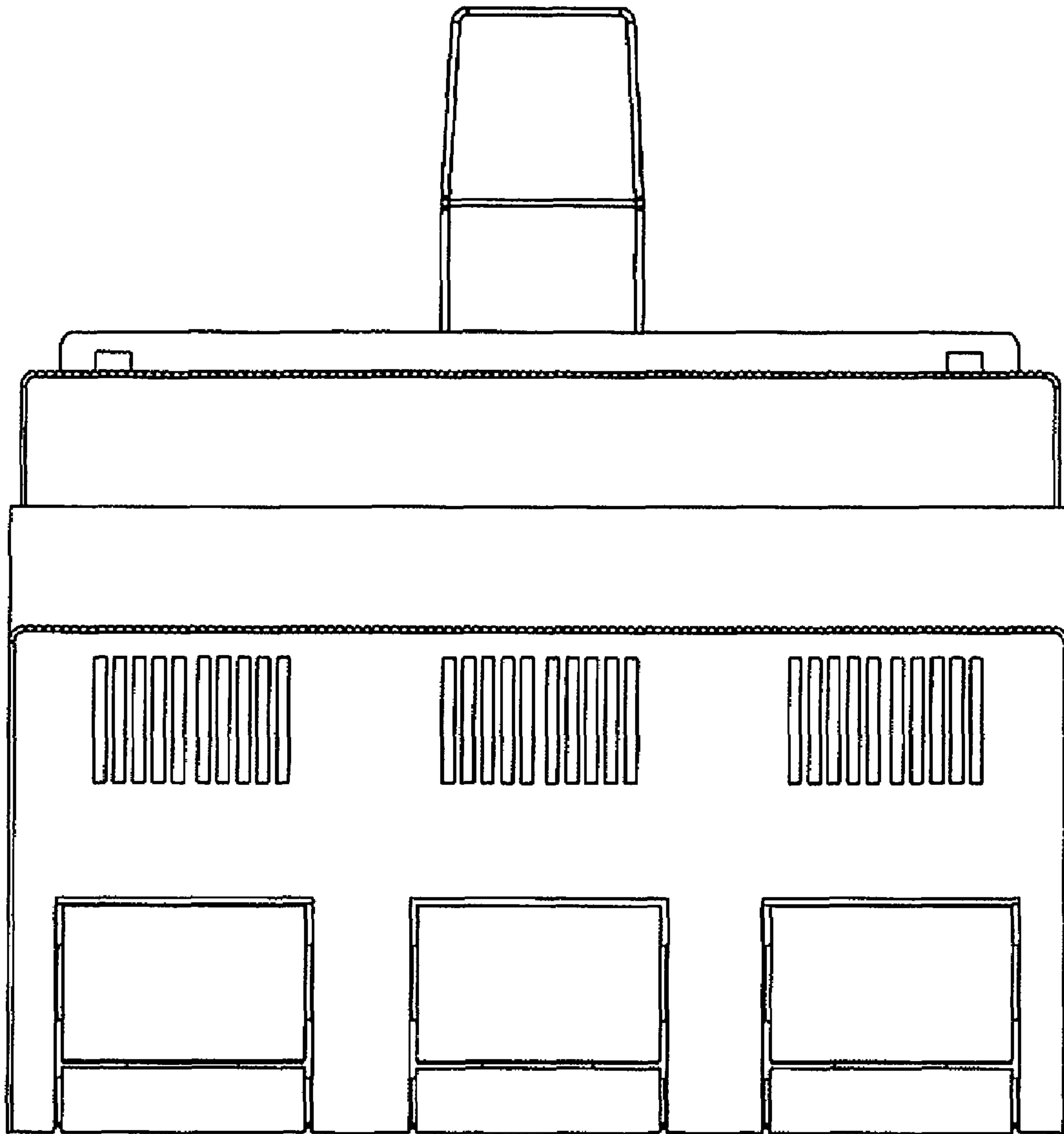


FIG. 5

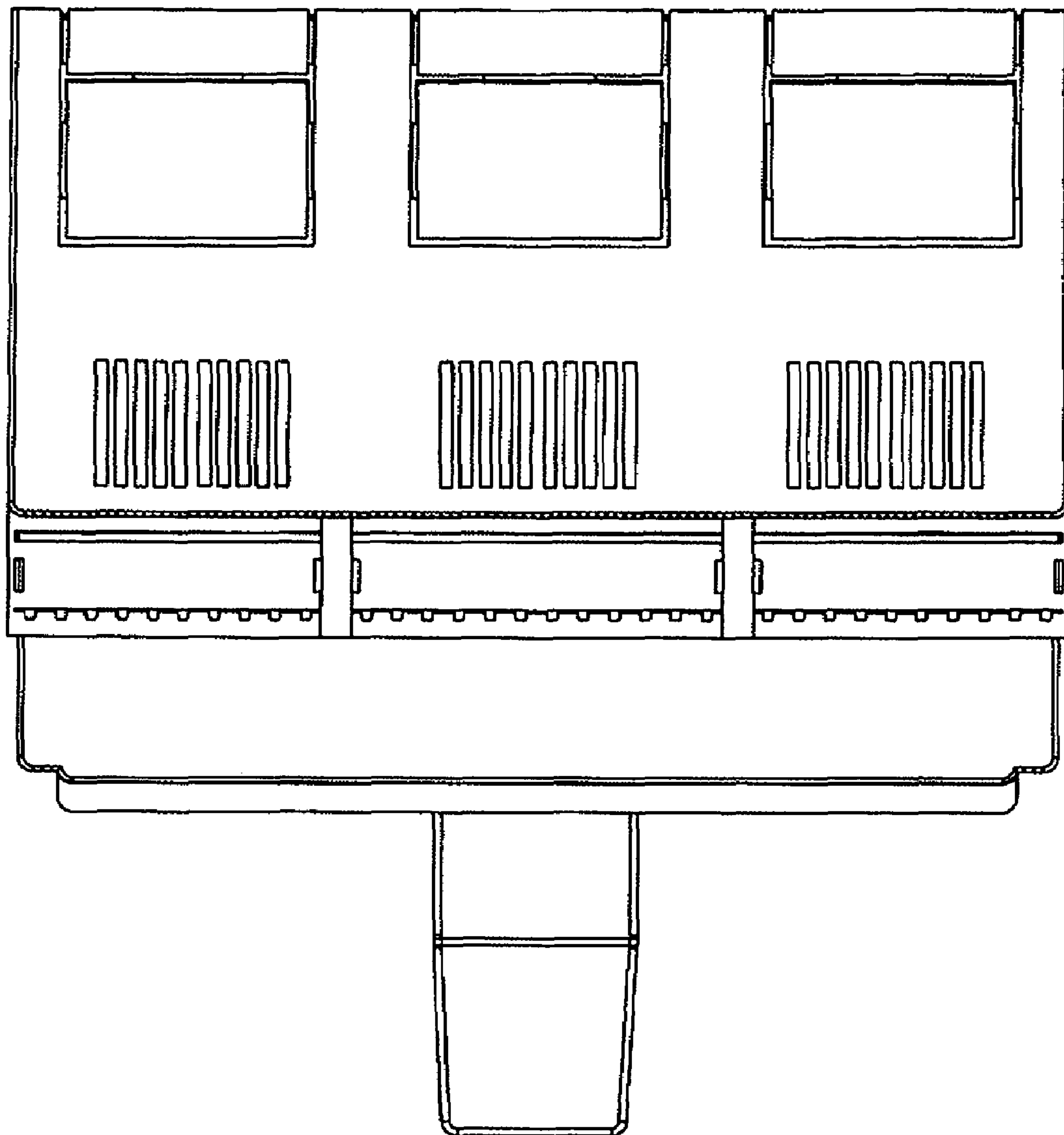


FIG. 6