



US00D587657S

(12) **United States Design Patent**
Al-Ali et al.

(10) **Patent No.:** **US D587,657 S**
(45) **Date of Patent:** **** Mar. 3, 2009**

(54) **CONNECTOR ASSEMBLY**

(75) Inventors: **Ammar Al-Ali**, Tustin, CA (US); **Kevin Forrest**, Rancho Santa Margarita, CA (US); **Yassir Abdul-Hafiz**, Irvine, CA (US); **Eric Yang**, Baldwin Park, CA (US)

(73) Assignee: **Masimo Corporation**, Irvine, CA (US)

(**) Term: **14 Years**

(21) Appl. No.: **29/296,067**

(22) Filed: **Oct. 12, 2007**

(51) **LOC (9) Cl.** **13-03**

(52) **U.S. Cl.** **D13/156**

(58) **Field of Classification Search** D13/133,
D13/138.1, 154, 156, 184; 439/447, 483,
439/586, 578, 606-610, 668-669, 675-676,
439/889, 892

See application file for complete search history.

(56) **References Cited**

U.S. PATENT DOCUMENTS

4,960,128	A	10/1990	Gordon et al.
4,964,408	A	10/1990	Hink et al.
5,041,187	A	8/1991	Hink et al.
5,069,213	A	12/1991	Polczynski
5,163,438	A	11/1992	Gordon et al.
5,337,744	A	8/1994	Branigan
5,341,805	A	8/1994	Stavridi et al.
D353,195	S	12/1994	Savage et al.
D353,196	S	12/1994	Savage et al.
5,377,676	A	1/1995	Vari et al.
D359,546	S	6/1995	Savage et al.
5,431,170	A	7/1995	Mathews
D361,840	S	8/1995	Savage et al.
D362,063	S	9/1995	Savage et al.
5,452,717	A	9/1995	Branigan et al.
D363,120	S	10/1995	Savage et al.
5,456,252	A	10/1995	Vari et al.

(Continued)

Primary Examiner—Brian N Vinson

(74) *Attorney, Agent, or Firm*—Knobbe Martens Olson & Bear, LLP

(57) **CLAIM**

The ornamental design for a connector assembly, as shown and described.

DESCRIPTION

FIG. 1 is a top plan view of a joined connector assembly showing our new design in accordance with an embodiment of the invention;

FIG. 2 is a side elevational view thereof;

FIG. 3 is a perspective view of the top and one side of a male sensor connector half of the connector assembly;

FIG. 4 is a perspective view of the bottom and opposite side thereof;

FIG. 5 is a top plan view thereof;

FIG. 6 is a bottom plan view thereof;

FIG. 7 is a front elevational view thereof;

FIG. 8 is a back elevational view thereof;

FIG. 9 is a side elevational view thereof;

FIG. 10 is a perspective view of the top and one side of the female patient cable connector half of the connector assembly;

FIG. 11 is a perspective view of the bottom and opposite side thereof;

FIG. 12 is a top plan view thereof;

FIG. 13 is a bottom plan view thereof;

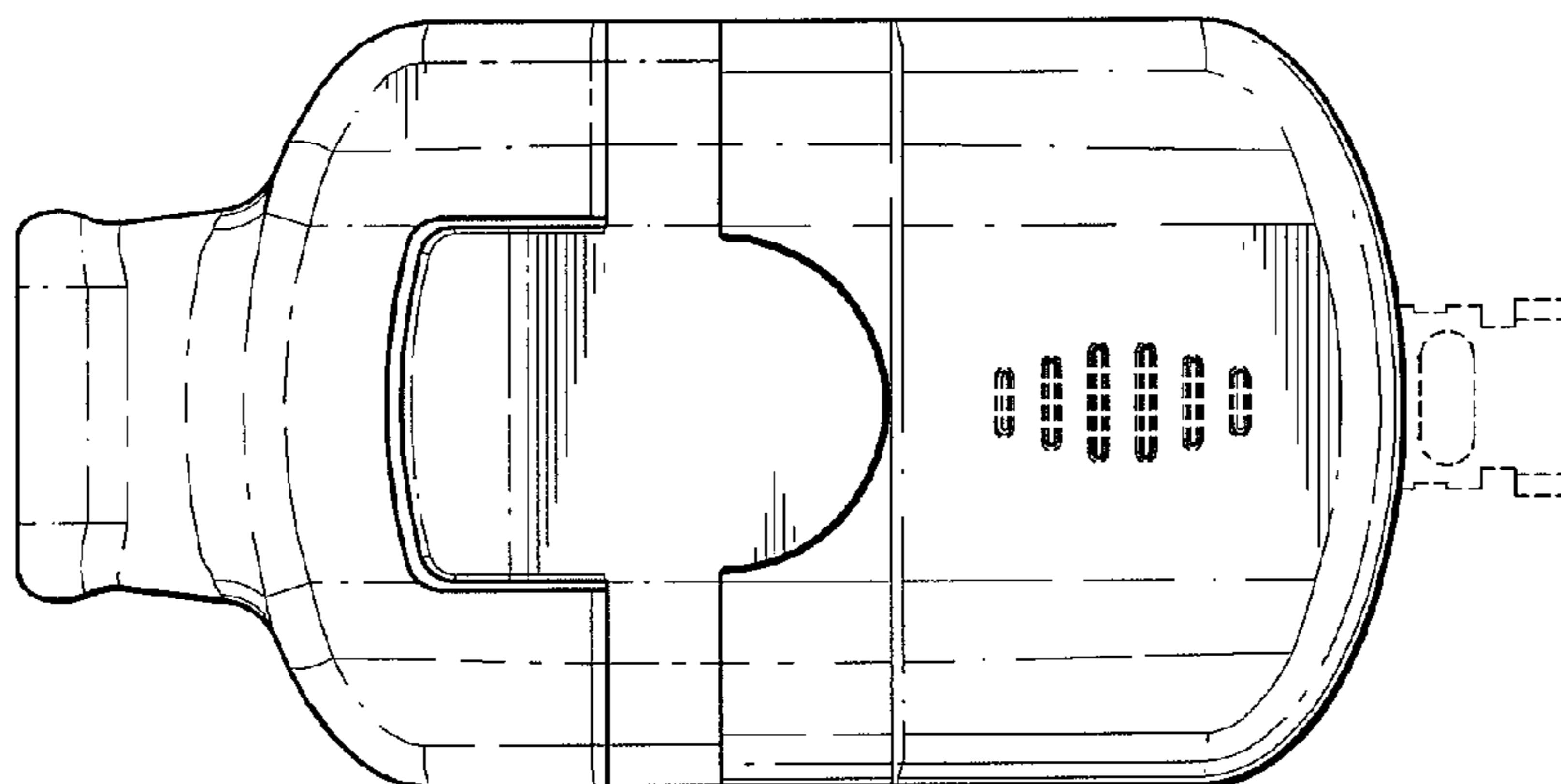
FIG. 14 a front elevational view thereof;

FIG. 15 is a back elevational view thereof; and,

FIG. 16 is a side elevational view thereof.

Where utilized, phantom lining is for illustrative purposes only and is not intended to limit or form any part of the claimed design.

1 Claim, 7 Drawing Sheets



US D587,657 S

U.S. PATENT DOCUMENTS					
		6,470,199	B1	10/2002	Kopotic et al.
		6,501,975	B2	12/2002	Diab et al.
		6,505,059	B1	1/2003	Kollias et al.
		6,515,273	B2	2/2003	Al-Ali
		6,519,487	B1	2/2003	Parker
		6,525,386	B1	2/2003	Mills et al.
		6,526,300	B1	2/2003	Kiani et al.
		6,541,756	B2	4/2003	Schulz et al.
		6,542,764	B1	4/2003	Al-Ali et al.
		6,580,086	B1	6/2003	Schulz et al.
		6,584,336	B1	6/2003	Ali et al.
		6,595,316	B2	7/2003	Cybulski et al.
		6,597,932	B2	7/2003	Tian et al.
		6,597,933	B2	7/2003	Kiani et al.
		6,606,511	B1	8/2003	Ali et al.
		6,632,181	B2	10/2003	Flaherty et al.
		6,639,668	B1	10/2003	Trepagnier
		6,640,116	B2	10/2003	Diab
		6,643,530	B2	11/2003	Diab et al.
		6,650,917	B2	11/2003	Diab et al.
		6,654,624	B2	11/2003	Diab et al.
		6,658,276	B2	12/2003	Diab et al.
		6,661,161	B1	12/2003	Lanzo et al.
		6,671,531	B2	12/2003	Al-Ali et al.
		6,678,543	B2	1/2004	Diab et al.
		6,684,090	B2	1/2004	Ali et al.
		6,684,091	B2	1/2004	Parker
		6,697,656	B1	2/2004	Al-Ali
		6,697,657	B1	2/2004	Shehada et al.
		6,697,658	B2	2/2004	Al-Ali
		RE38,476	E	3/2004	Diab et al.
		6,699,194	B1	3/2004	Diab et al.
		6,714,804	B2	3/2004	Al-Ali et al.
		RE38,492	E	4/2004	Diab et al.
		6,721,582	B2	4/2004	Trepagnier et al.
		6,721,585	B1	4/2004	Parker
		6,725,075	B2	4/2004	Al-Ali
		6,728,560	B2	4/2004	Kollias et al.
		6,735,459	B2	5/2004	Parker
		6,745,060	B2	6/2004	Diab et al.
		6,760,607	B2	7/2004	Al-Ali
		6,770,028	B1	8/2004	Ali et al.
		6,771,994	B2	8/2004	Kiani et al.
		6,792,300	B1	9/2004	Diab et al.
		6,813,511	B2	11/2004	Diab et al.
		6,816,741	B2	11/2004	Diab
		6,822,564	B2	11/2004	Al-Ali
		6,826,419	B2	11/2004	Diab et al.
		6,830,711	B2	12/2004	Mills et al.
		6,850,787	B2	2/2005	Weber et al.
		6,850,788	B2	2/2005	Al-Ali
		6,852,083	B2	2/2005	Caro et al.
		6,861,639	B2	3/2005	Al-Ali
		6,898,452	B2	5/2005	Al-Ali et al.
		6,920,345	B2	7/2005	Al-Ali et al.
		6,931,268	B1	8/2005	Kiani-Azarbayjany et al.
		6,934,570	B2	8/2005	Kiani et al.
		D509,803	S *	9/2005	Titchener D13/156
		6,939,305	B2	9/2005	Flaherty et al.
		6,943,348	B1	9/2005	Coffin IV
		6,950,687	B2	9/2005	Al-Ali
		6,961,598	B2	11/2005	Diab
		6,970,792	B1	11/2005	Diab
		6,979,812	B2	12/2005	Al-Ali
		D513,409	S *	1/2006	Suckle D13/156
		6,985,764	B2	1/2006	Mason et al.
		6,993,371	B2	1/2006	Kiani et al.
		6,996,427	B2	2/2006	Ali et al.
		6,999,904	B2	2/2006	Weber et al.
		7,003,338	B2	2/2006	Weber et al.
		7,003,339	B2	2/2006	Diab et al.
		7,015,451	B2	3/2006	Dalke et al.
		D519,465	S *	4/2006	Sirichai et al. D13/156

US D587,657 S

Page 3

7,024,233 B2	4/2006	Ali et al.	7,215,984 B2	5/2007	Diab
7,027,849 B2	4/2006	Al-Ali	7,215,986 B2	5/2007	Diab
7,030,749 B2	4/2006	Al-Ali	7,221,971 B2	5/2007	Diab
D520,459 S *	5/2006	Kent et al. D13/156	7,225,006 B2	5/2007	Al-Ali et al.
7,039,449 B2	5/2006	Al-Ali	7,225,007 B2	5/2007	Al-Ali
7,041,060 B2	5/2006	Flaherty et al.	RE39,672 E	6/2007	Shehada et al.
7,044,918 B2	5/2006	Diab	7,239,905 B2	7/2007	Kiani-Azarbayjany et al.
7,067,893 B2	6/2006	Mills et al.	7,245,953 B1	7/2007	Parker
D524,759 S *	7/2006	Wada et al. D13/156	7,254,431 B2	8/2007	Al-Ali
7,096,052 B2	8/2006	Mason et al.	7,254,433 B2	8/2007	Diab et al.
7,096,054 B2	8/2006	Abdul-Hafiz et al.	7,254,434 B2	8/2007	Schulz et al.
7,132,641 B2	11/2006	Schulz et al.	7,272,425 B2	9/2007	Al-Ali
7,142,901 B2	11/2006	Kiani et al.	7,274,955 B2	9/2007	Kiani et al.
7,149,561 B2	12/2006	Diab	7,280,858 B2	10/2007	Al-Ali et al.
7,186,966 B2	3/2007	Al-Ali	D567,183 S *	4/2008	Victor D13/156
7,190,261 B2	3/2007	Al-Ali			

* cited by examiner

FIG. 1

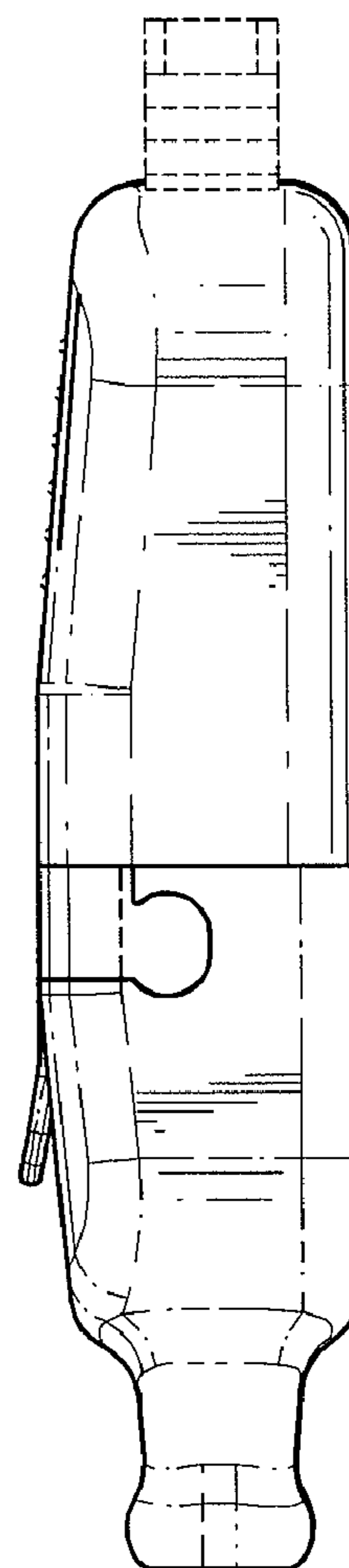
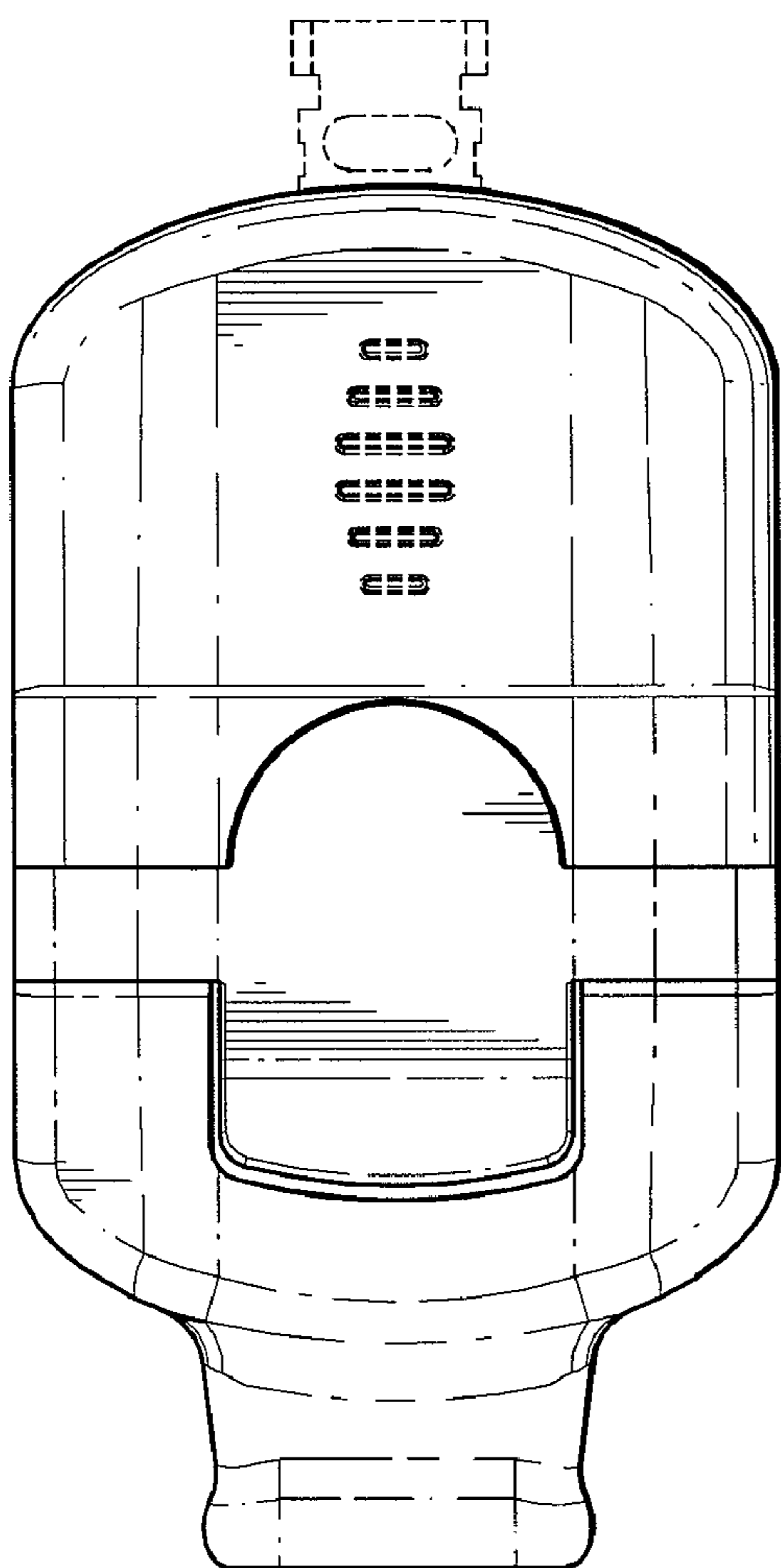


FIG. 2

FIG. 3

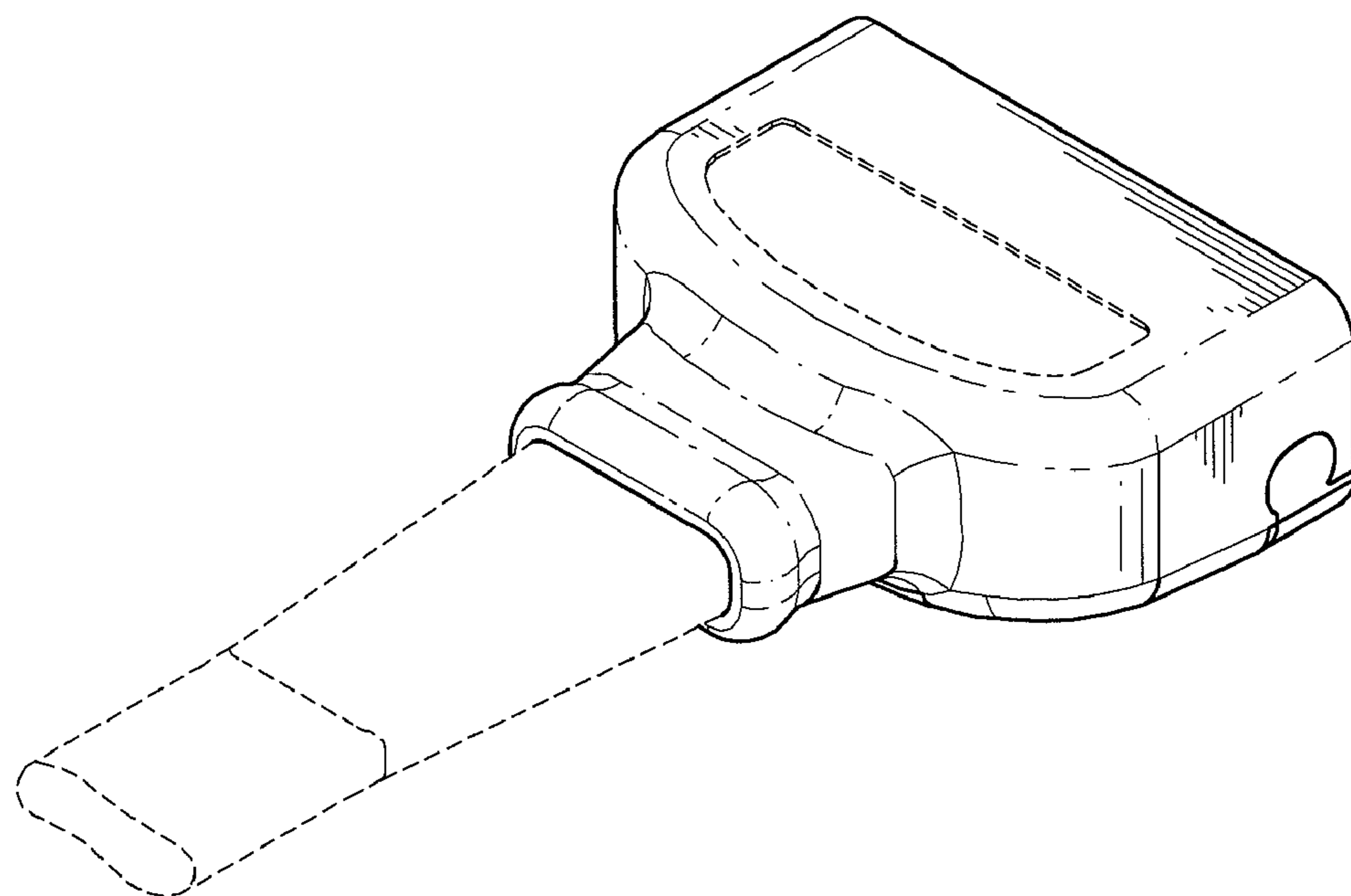
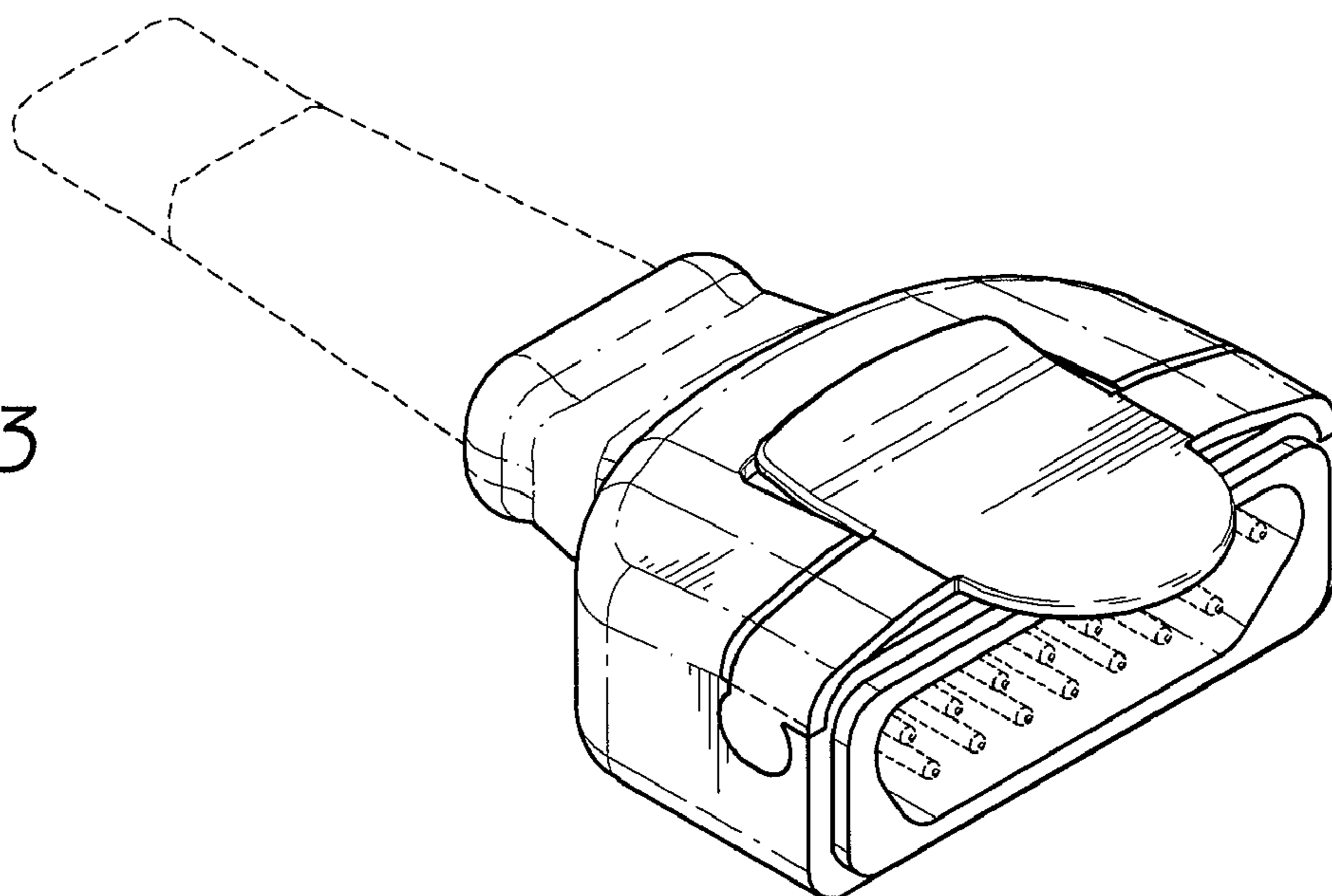


FIG. 4

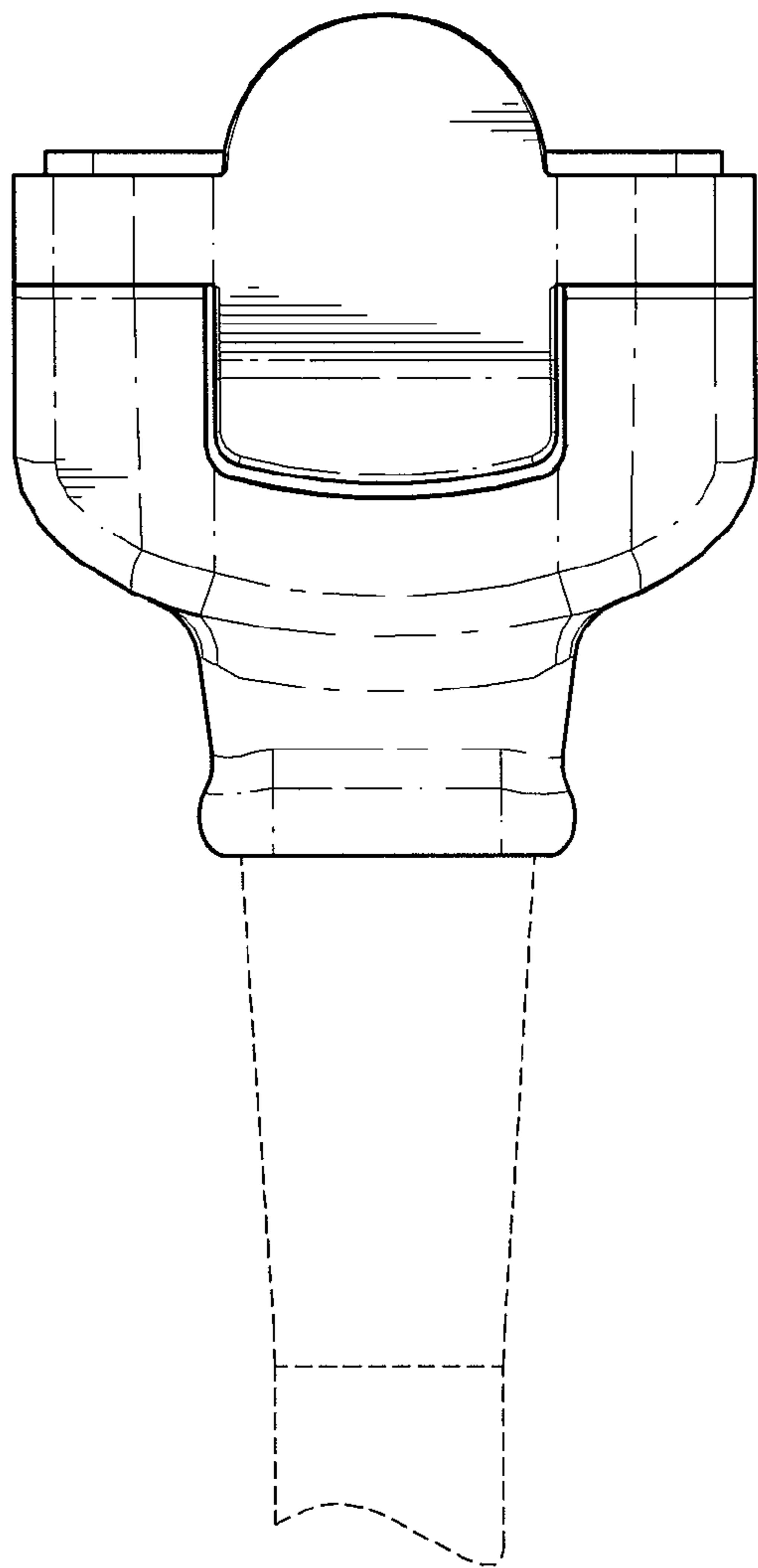


FIG. 5

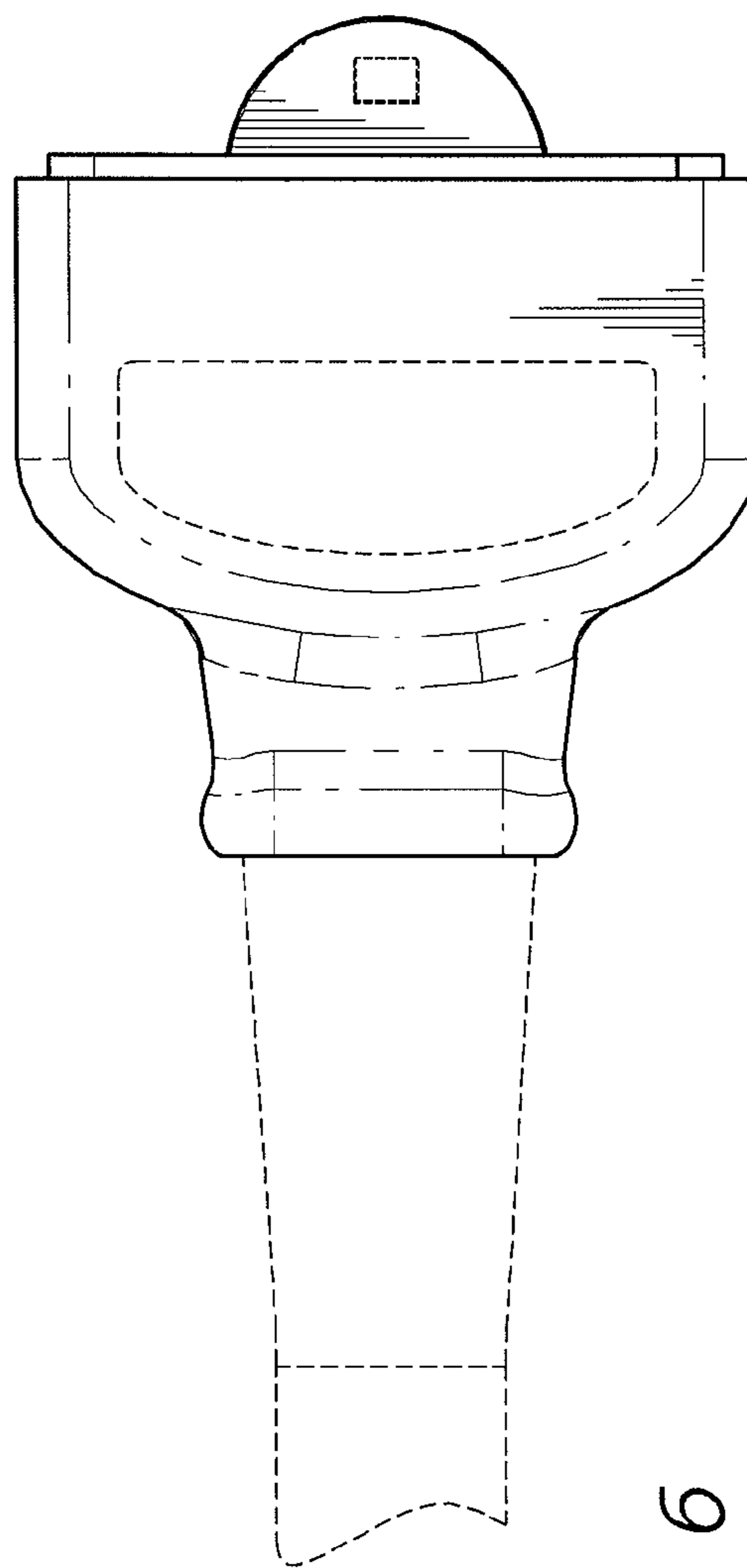


FIG. 6

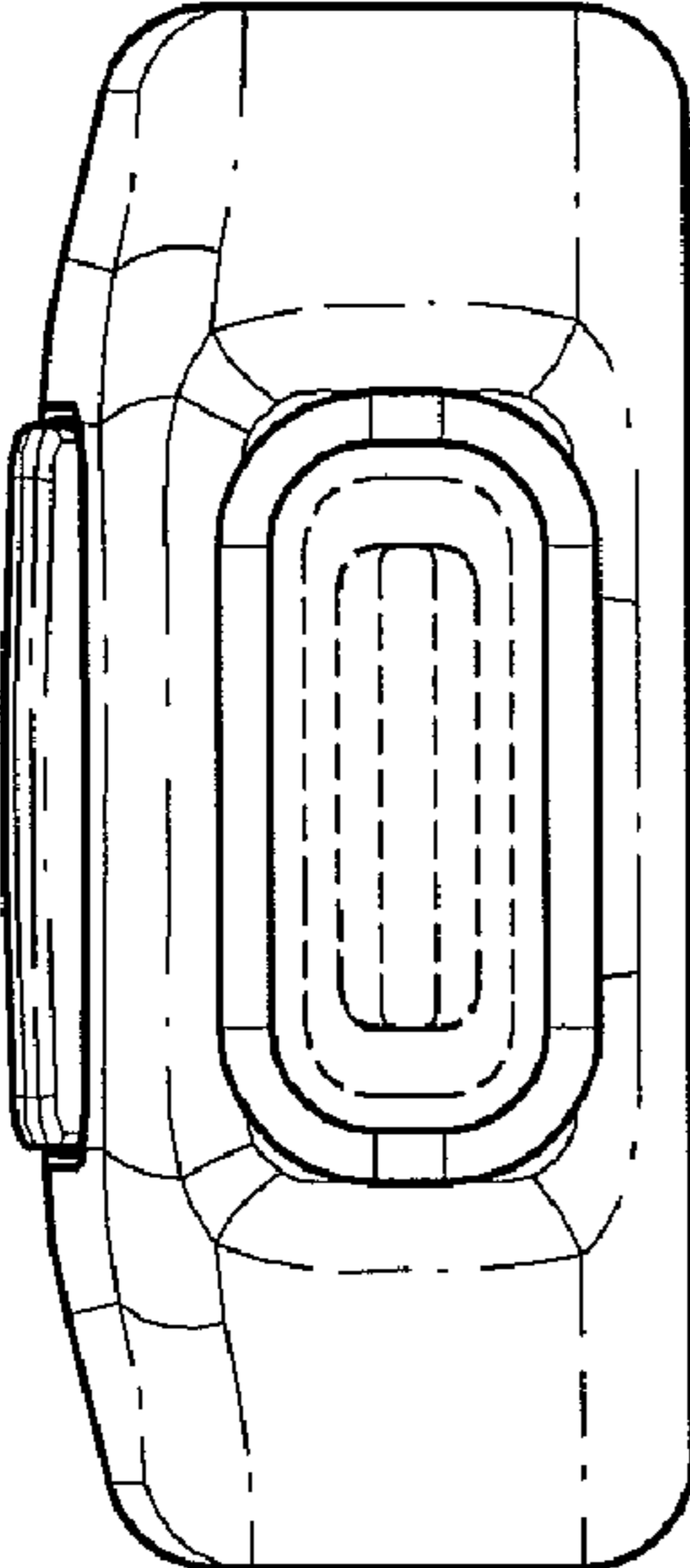


FIG. 8

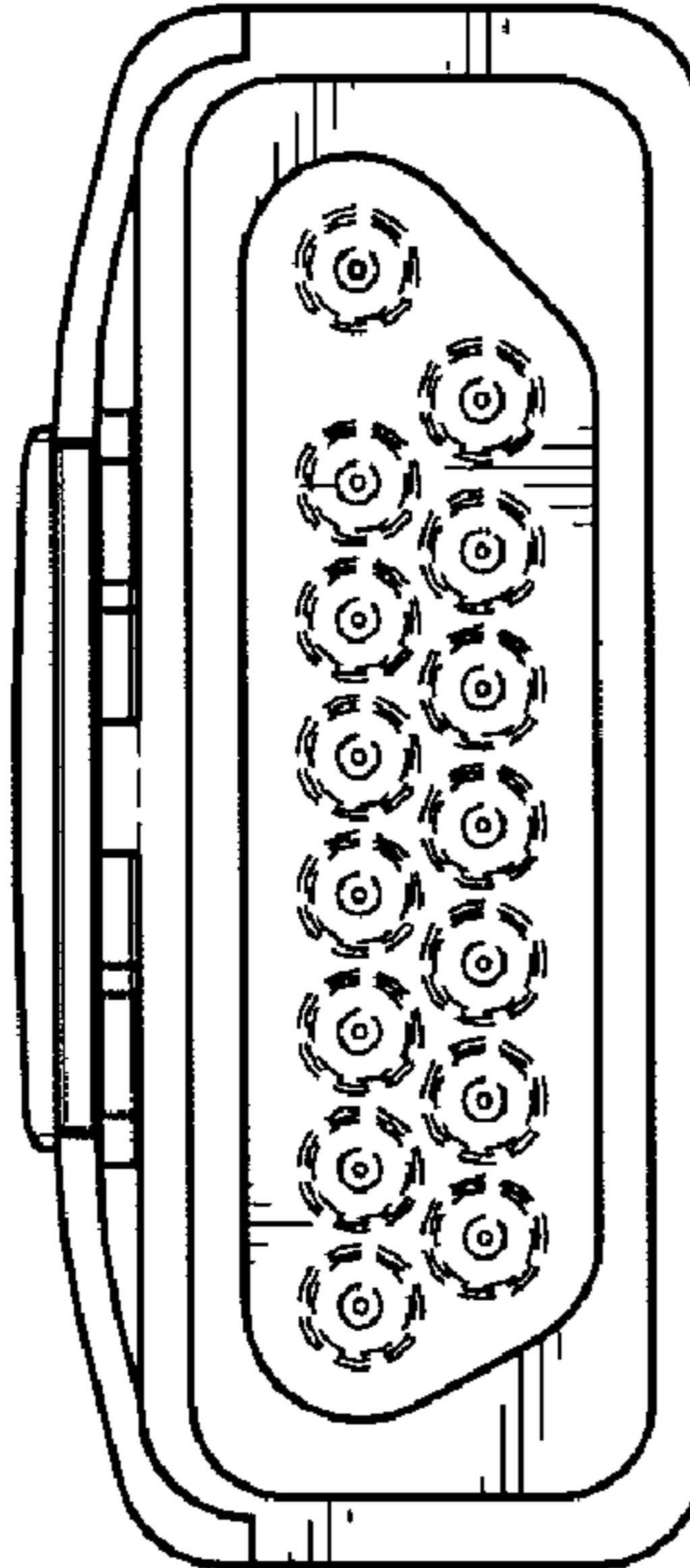


FIG. 7

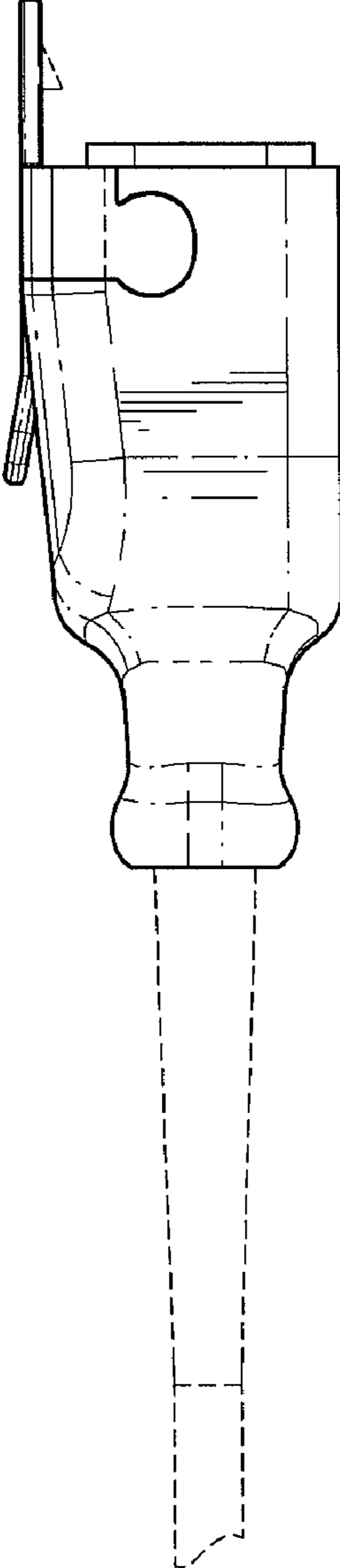


FIG. 9

FIG. 10

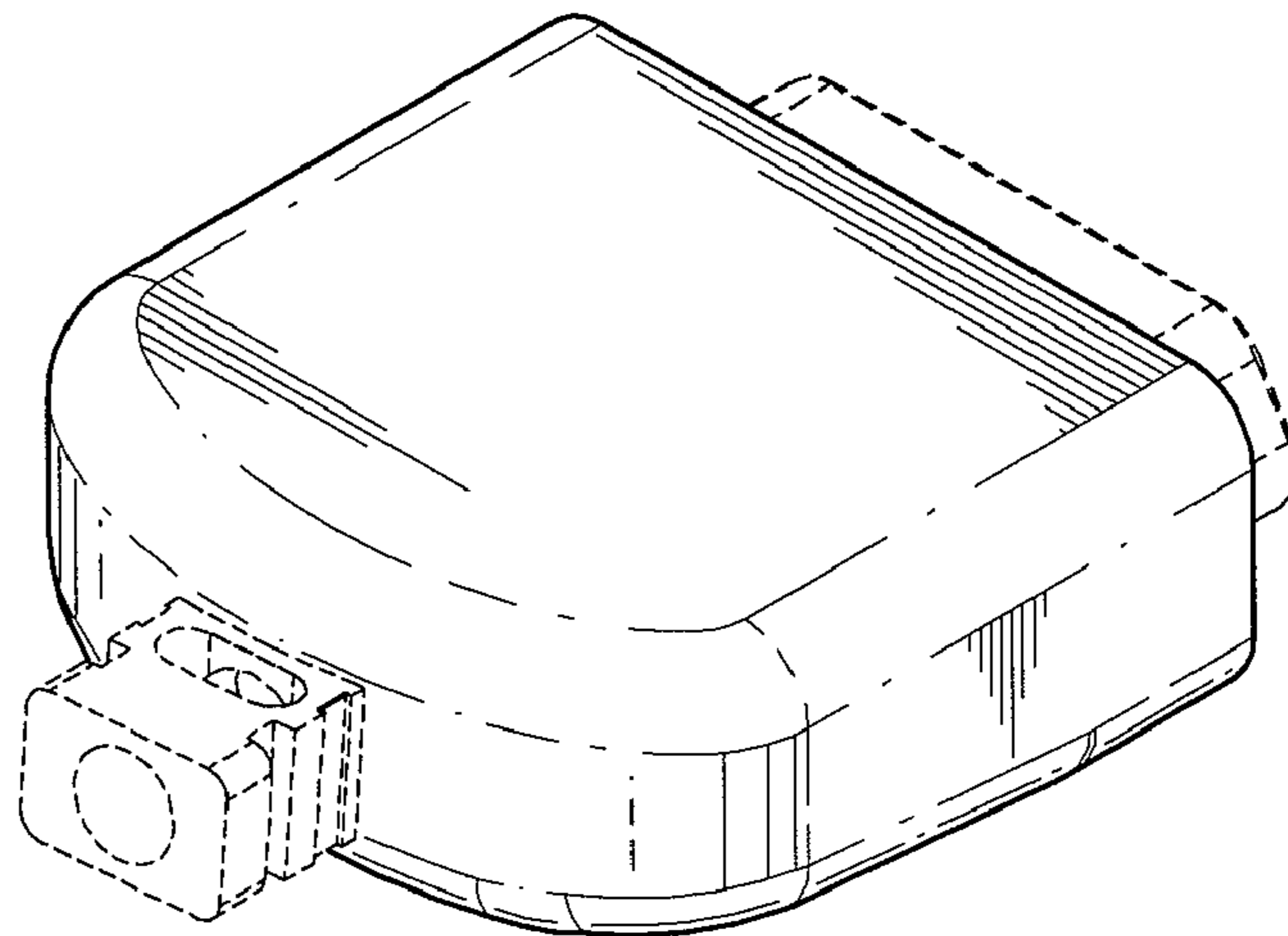
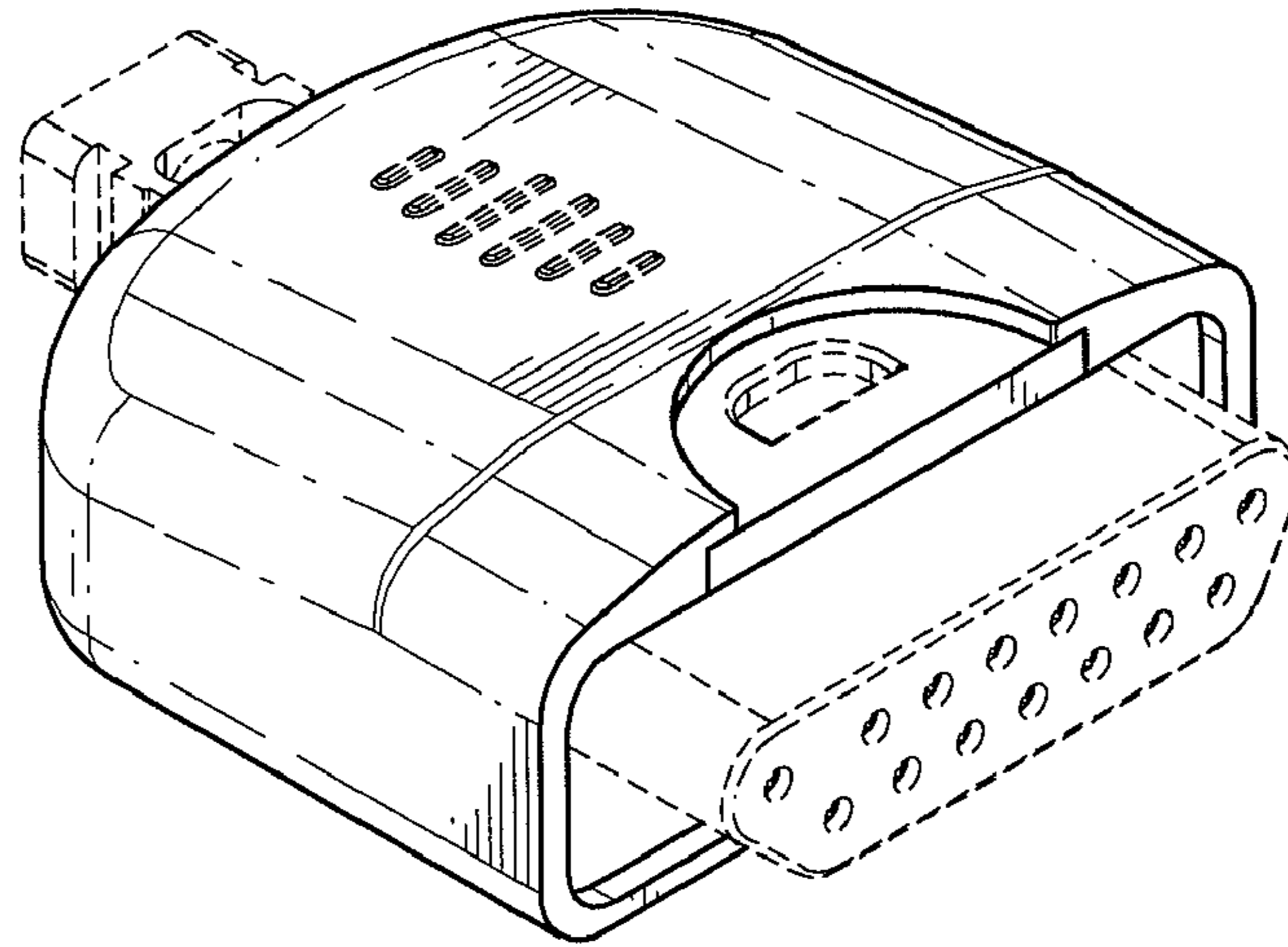


FIG. 11

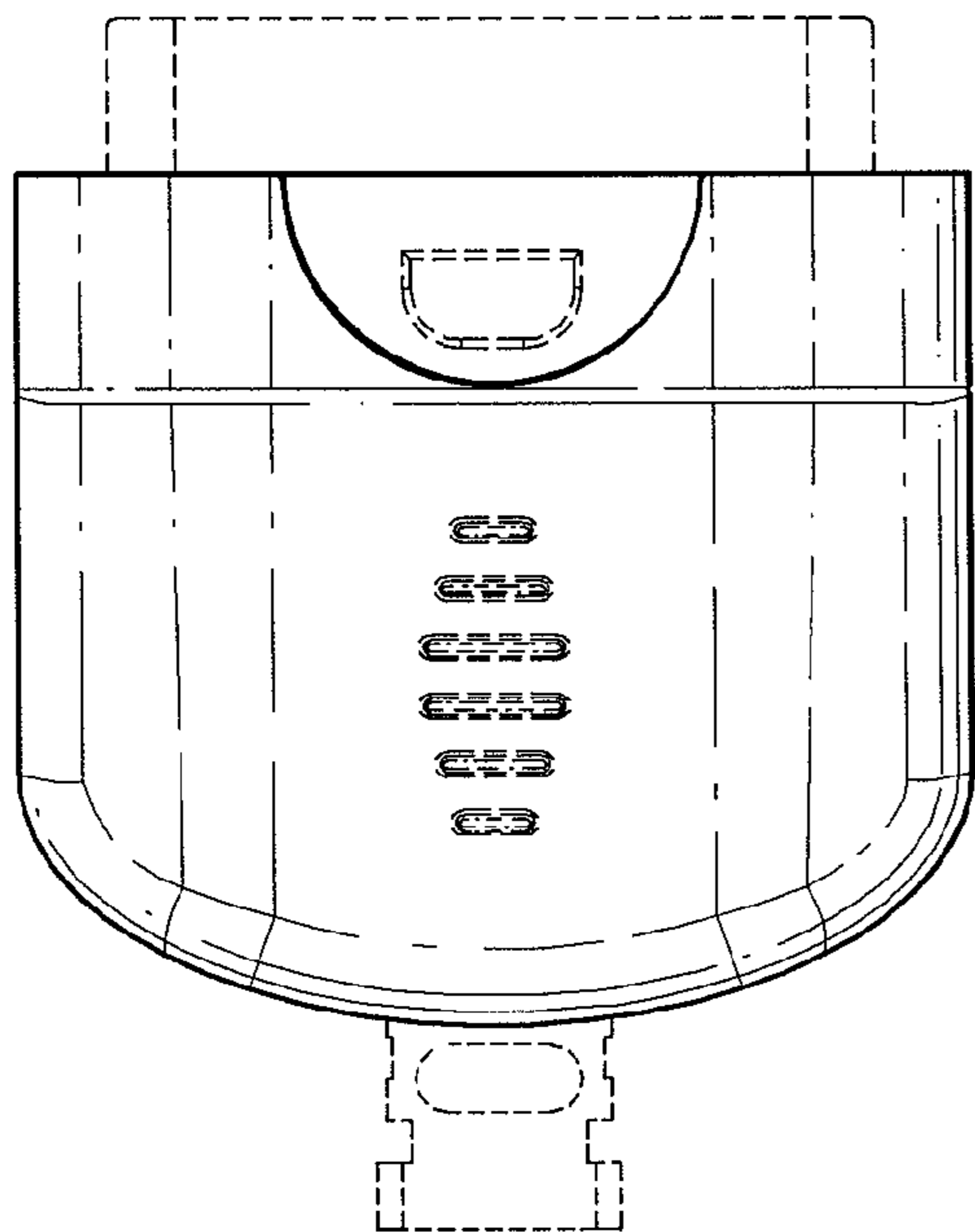


FIG. 12

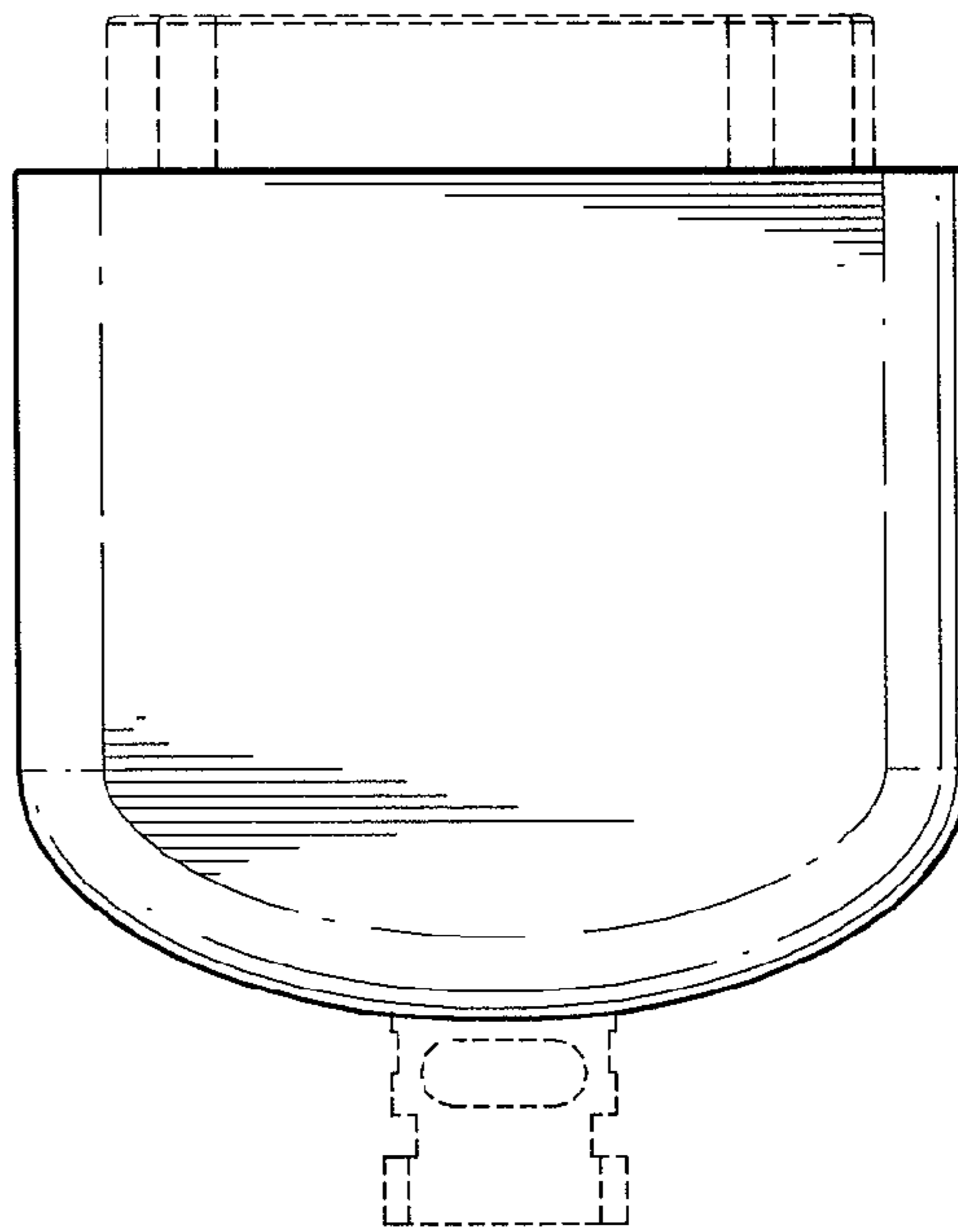


FIG. 13

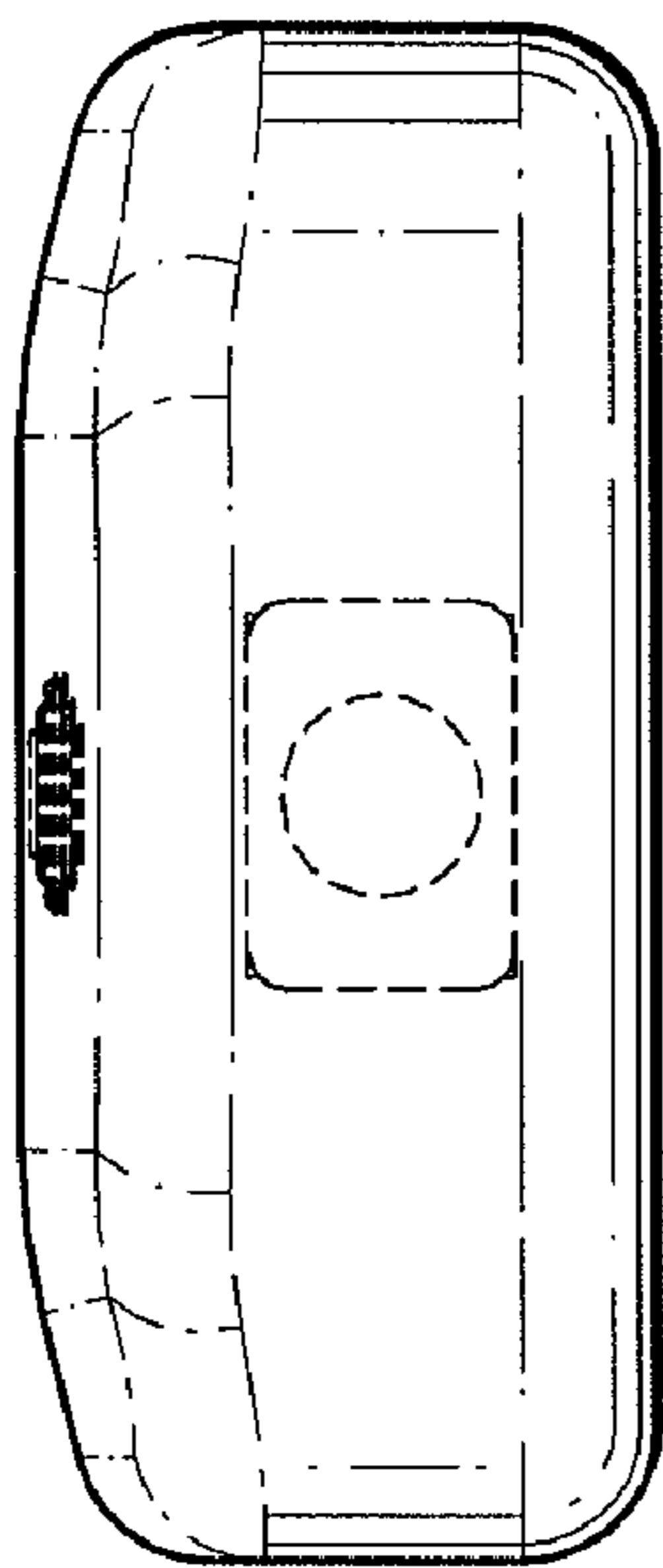


FIG. 15

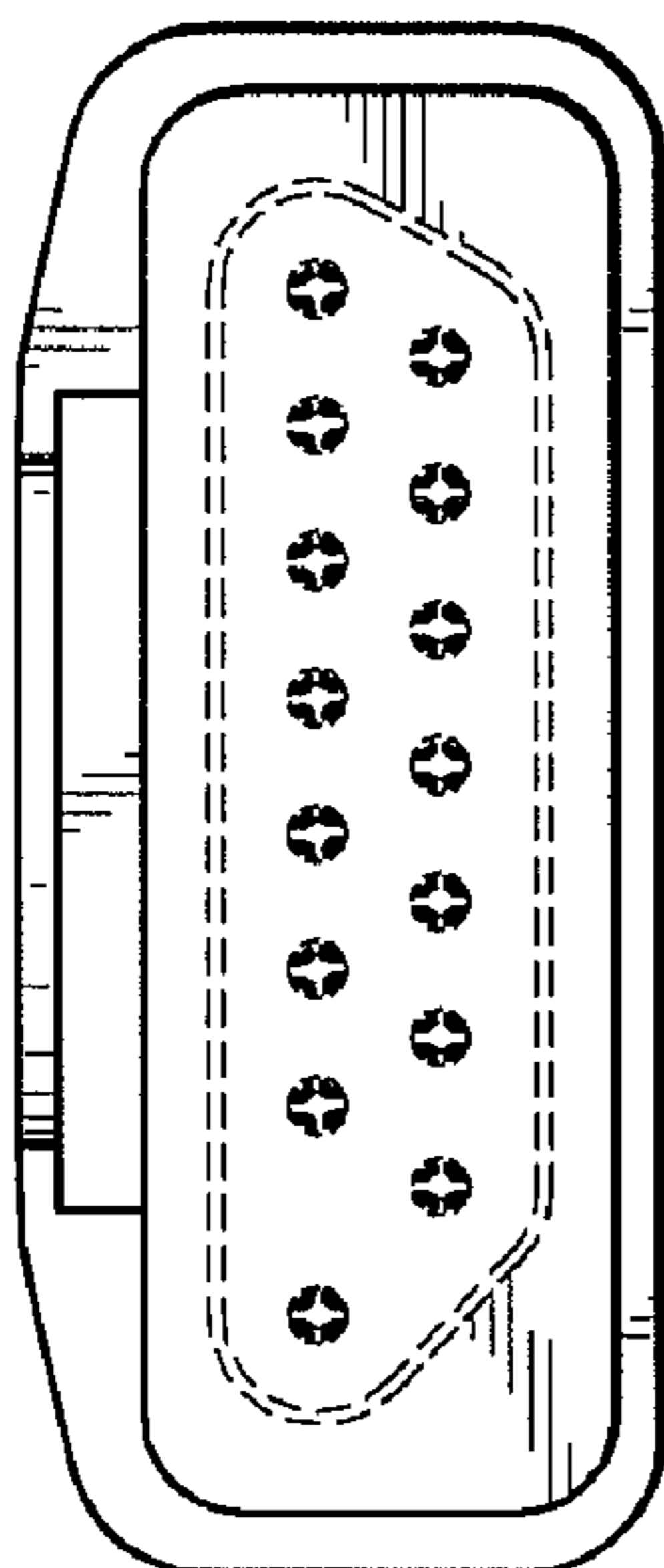


FIG. 14



FIG. 16