



US00D587656S

(12) **United States Design Patent**
Shen et al.

(10) **Patent No.:** **US D587,656 S**
(45) **Date of Patent:** **** Mar. 3, 2009**

(54) **HOUSING FOR ELECTRICAL PLUG OR CONNECTOR**

(74) *Attorney, Agent, or Firm*—King & Spalding LLP

(75) Inventors: **Raymond Shen**, Peachtree City, GA (US); **Brian Paul Balmes**, Fayetteville, GA (US); **Christian David Baker**, Peachtree City, GA (US); **Andree Michelle Chaisson**, Peachtree City, GA (US)

(57) **CLAIM**

The ornamental design for a housing for an electrical plug or connector, as shown and described.

(73) Assignee: **Cooper Technologies Company**, Houston, TX (US)

DESCRIPTION

(**) Term: **14 Years**

FIG. 1 is a top perspective view of a first embodiment of a housing for electrical plug or connector, showing our new design, in a typical usage condition;

(21) Appl. No.: **29/288,186**

FIG. 2 is a bottom perspective view thereof;

(22) Filed: **May 31, 2007**

FIG. 3 is a back elevational view thereof;

(51) **LOC (9) Cl.** **13-03**

(52) **U.S. Cl.** **D13/154; D13/147**

(58) **Field of Classification Search** D13/123, D13/133, 137.1–139.8, 146, 147, 154, 156, D13/184; 439/278, 374, 378, 527, 578, 775, 439/801, 802, 842, 851, 892, 894
See application file for complete search history.

FIG. 4 is a front elevational view thereof;

FIG. 5 is a side view thereof, the opposite side being a mirror-image thereto;

FIG. 6 is a top plan view thereof;

FIG. 7 is a bottom plan view thereof;

(56) **References Cited**

U.S. PATENT DOCUMENTS

2,324,738	A	7/1943	Stieglitz	
2,415,357	A	2/1947	Kucki	
3,334,770	A	8/1967	Harris	
3,477,609	A	11/1969	Winkler	
3,605,059	A *	9/1971	Lipinski et al.	439/106
D244,861	S *	6/1977	D'Amato	D13/138.1

FIG. 8 is a top perspective view of a second embodiment of a housing for electrical plug or connector, showing our new design, in a typical usage condition;

FIG. 9 is a bottom perspective view thereof;

FIG. 10 is a rear elevational view thereof;

FIG. 11 is a front elevational view thereof;

FIG. 12 is a side view thereof, the opposite side being a mirror-image thereto;

FIG. 13 is a bottom perspective view of the interior of a housing for electrical plug or connector, shown separately for clarity;

FIG. 14 is a rear elevational view thereof;

FIG. 15 is a front elevational view thereof; and,

FIG. 16 is a side view thereof, the opposite side being a mirror-image thereto.

The broken line portion of the figure drawings is included to show unclaimed subject matter only and forms no part of the claimed design.

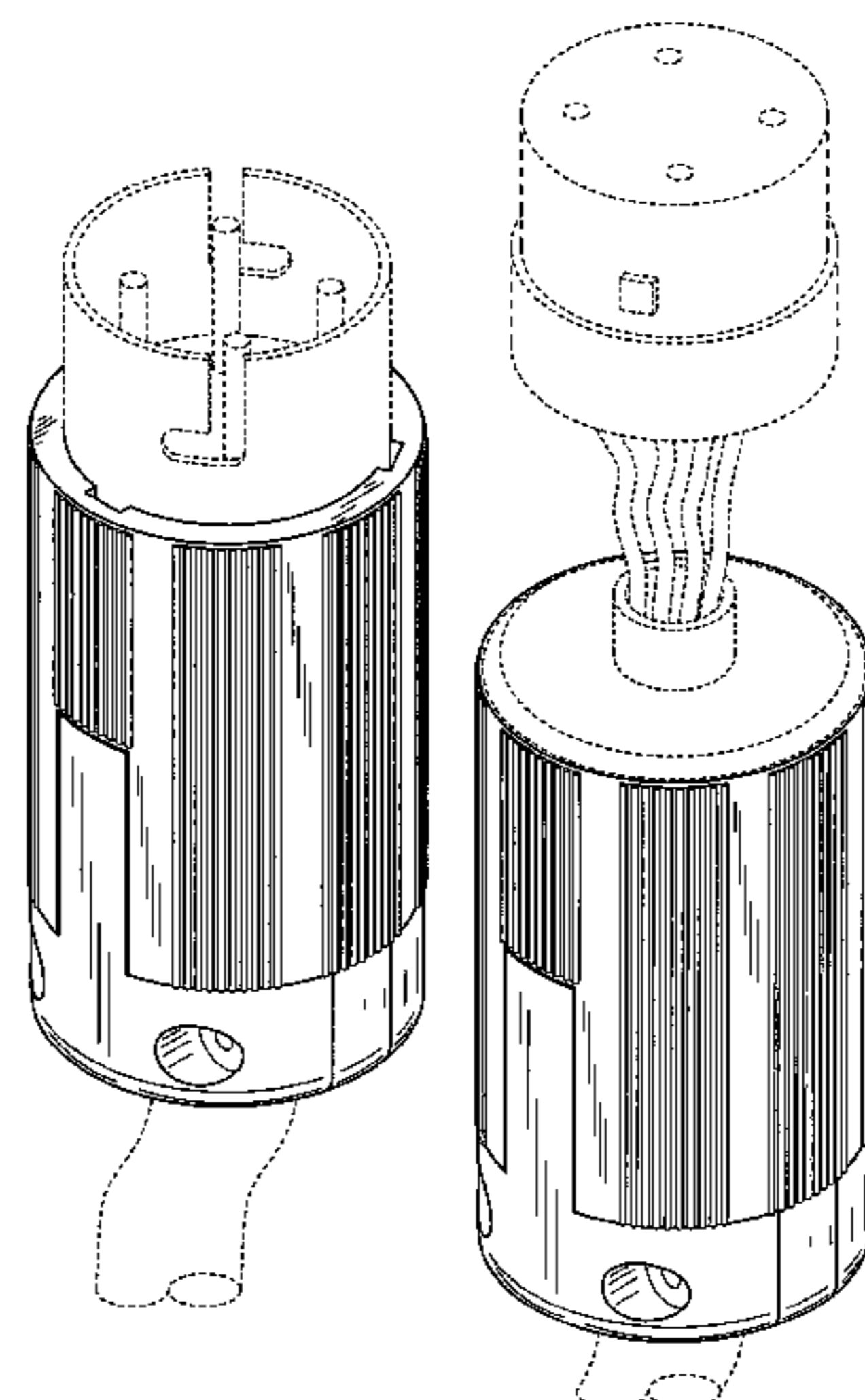
(Continued)

OTHER PUBLICATIONS

U.S. Appl. No. 12/103,644, filed Apr. 15, 2008, Shen et al.
U.S. Appl. No. 12/131,040, filed May 31, 2008, Shen et al.

Primary Examiner—Daniel D Bui
Assistant Examiner—Thomas J Johannes

1 Claim, 7 Drawing Sheets



US D587,656 S

Page 2

U.S. PATENT DOCUMENTS

4,079,880	A	3/1978	Edwards				
D260,511	S	* 9/1981	Avramovich	D13/146	D419,966	S	2/2000 Mowery et al.
4,875,318	A	10/1989	MacLeod et al.		6,051,786	A	4/2000 Gretz
D306,583	S	3/1990	Krolopp et al.		6,268,563	B1	7/2001 Gretz
4,920,708	A	5/1990	MacLeod et al.		D450,665	S	11/2001 Isely et al.
D319,217	S	* 8/1991	Fujioka	D13/199	6,355,882	B1	3/2002 Gretz
D325,961	S	* 5/1992	Hayes	D23/262	6,806,426	B1	10/2004 Gretz
D337,310	S	* 7/1993	Yamaguchi et al.	D13/156	D499,330	S	12/2004 Peato
5,326,060	A	7/1994	Chubb et al.		6,956,171	B1	10/2005 Gretz
D357,459	S	* 4/1995	Warden	D13/138.2	6,965,078	B1	11/2005 Gretz
5,456,377	A	10/1995	Williams		7,005,578	B2	2/2006 Gretz
D368,250	S	* 3/1996	Castaldo	D13/156	D537,414	S	* 2/2007 Saito
5,549,266	A	8/1996	Mitchell et al.		D541,747	S	* 5/2007 Bernardini
5,722,208	A	3/1998	Humphrey et al.		D547,724	S	* 7/2007 Ciancanelli et al.
D412,885	S	* 8/1999	Toly	D13/154	D566,657	S	4/2008 Shen et al.
					2007/0261872	A1	11/2007 Schieta et al.

* cited by examiner

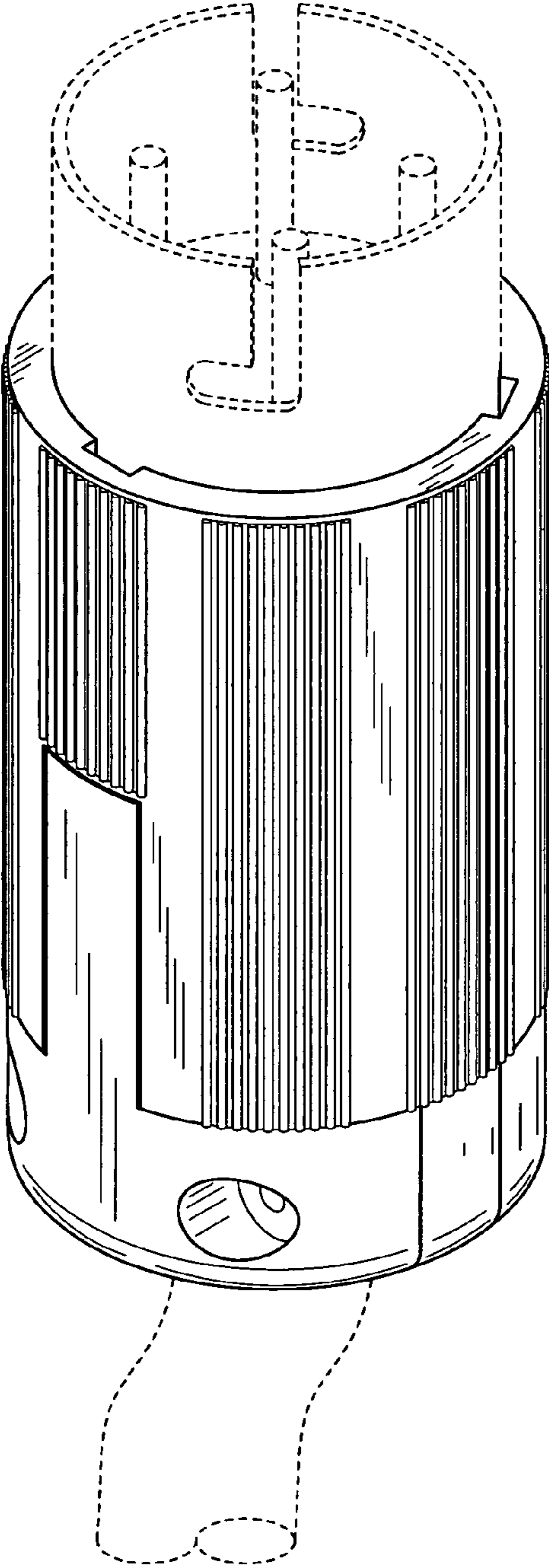


FIG. 1

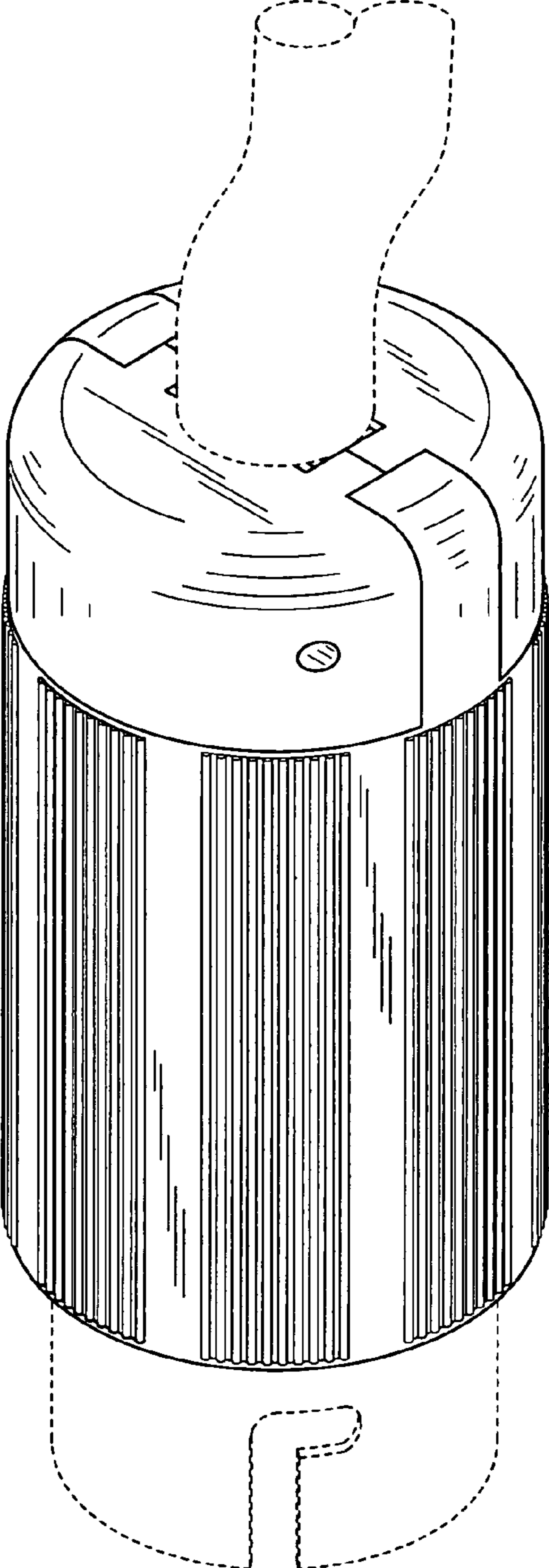


FIG. 2

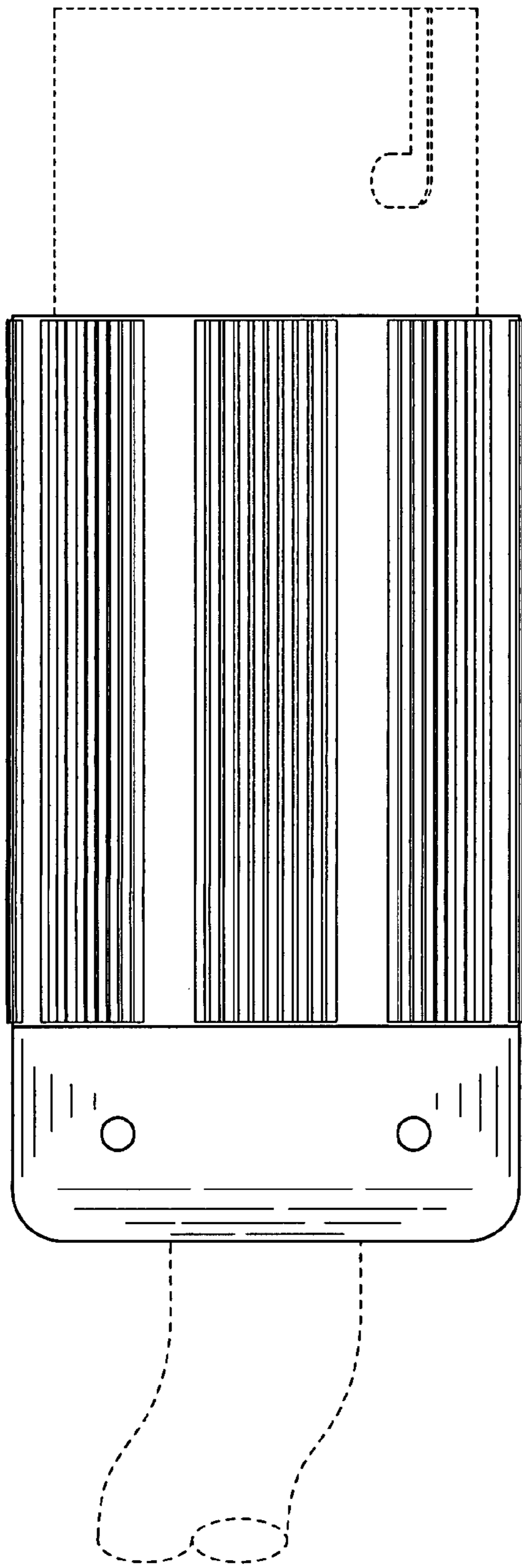


FIG. 3

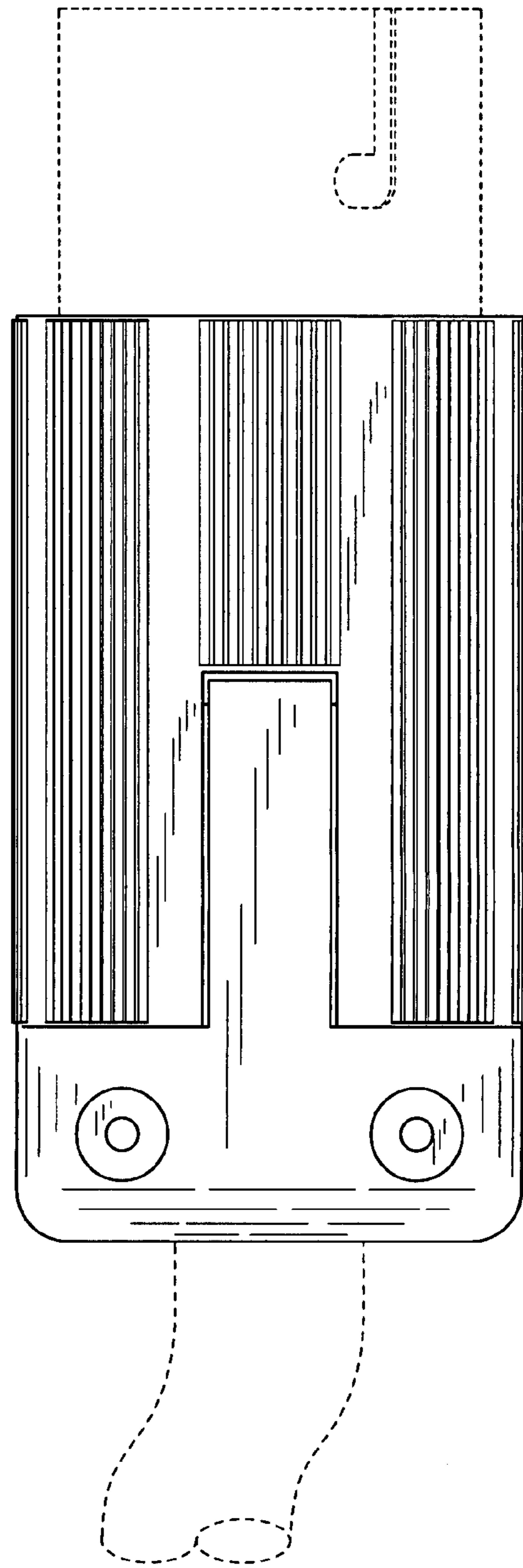


FIG. 4

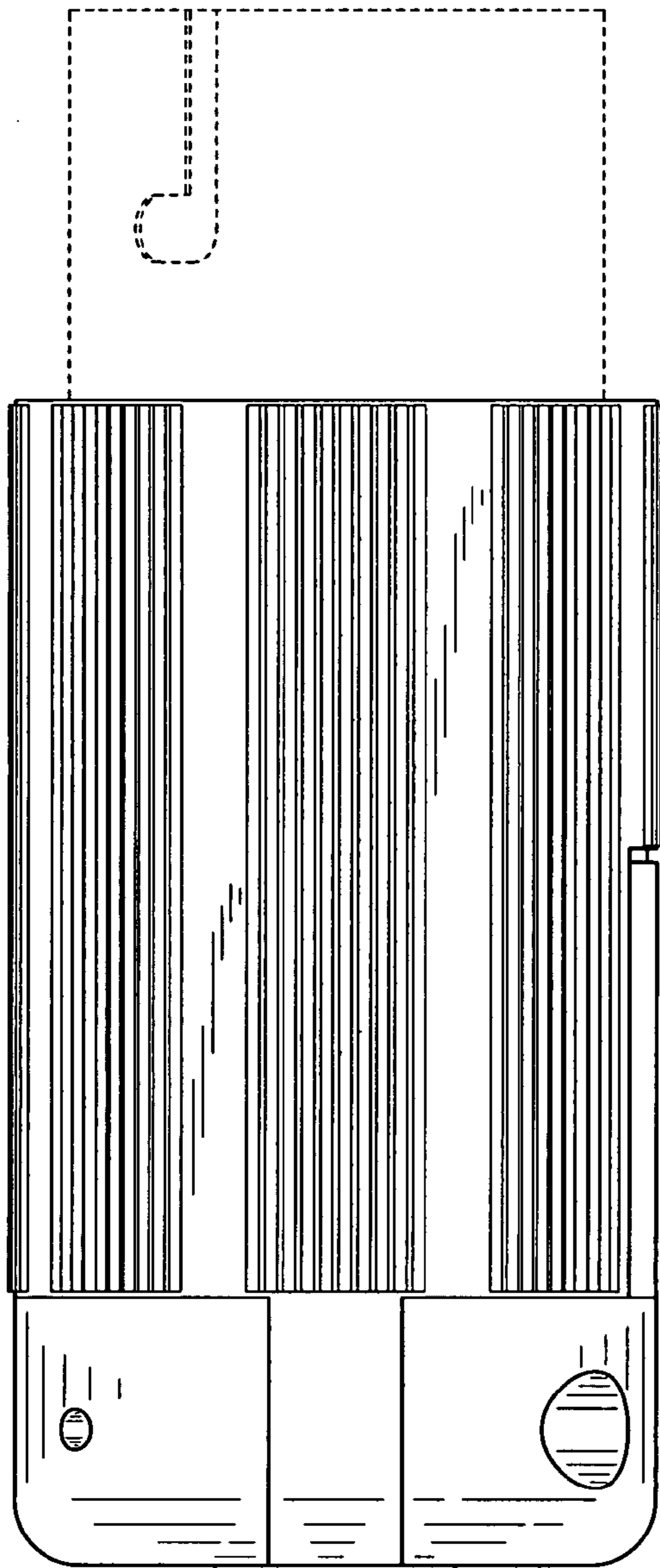


FIG. 5

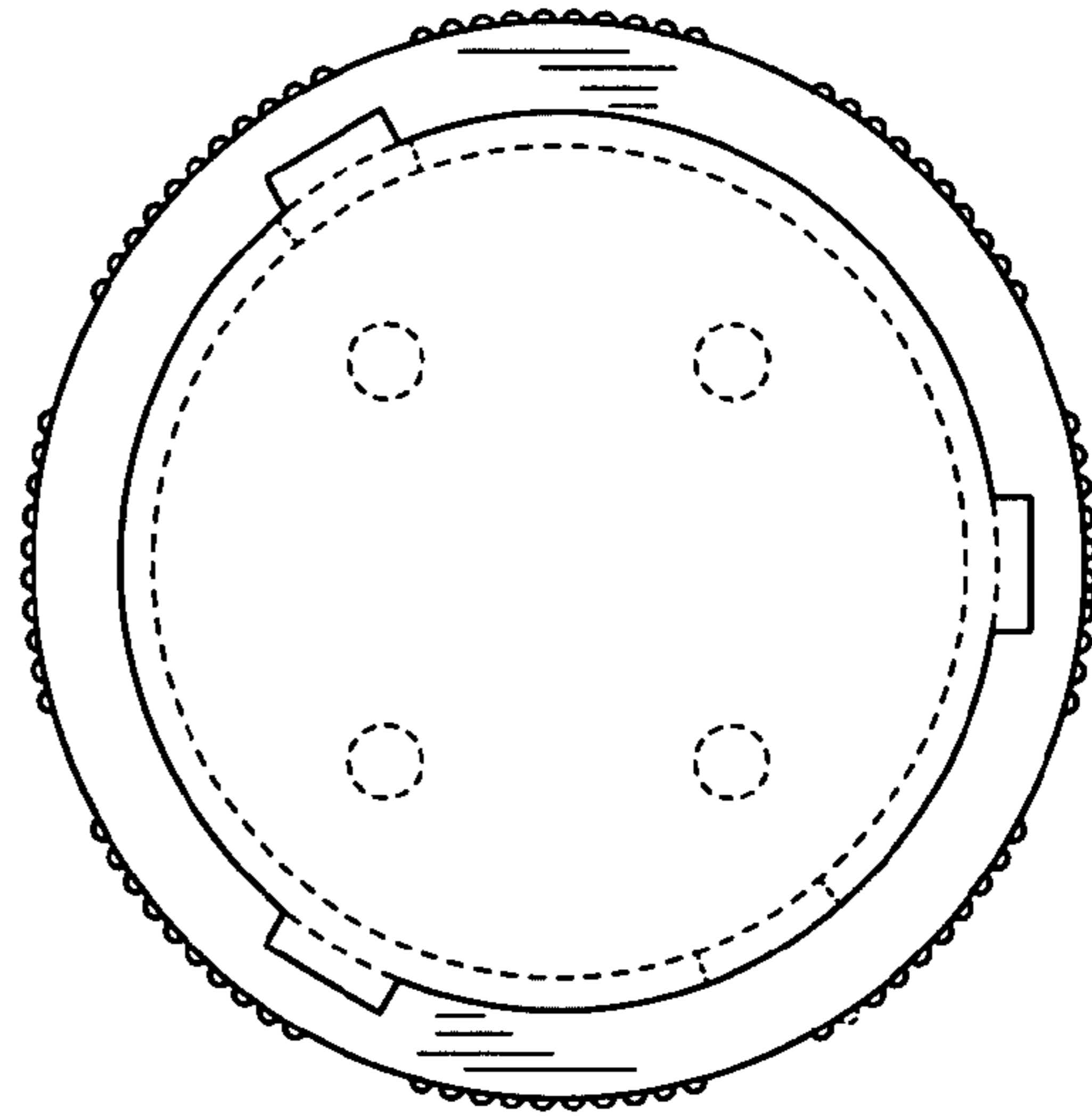


FIG. 6

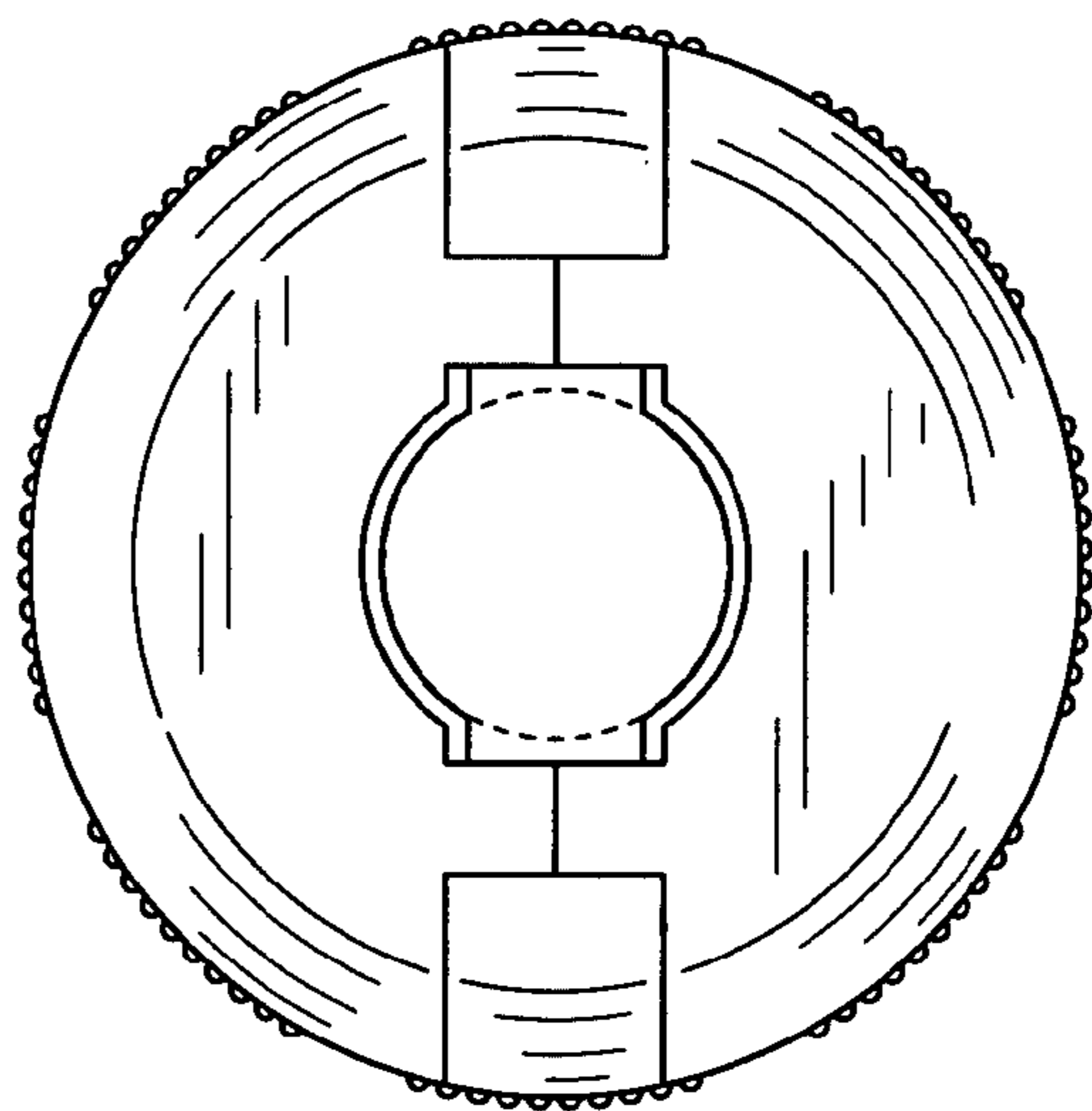


FIG. 7

FIG. 8

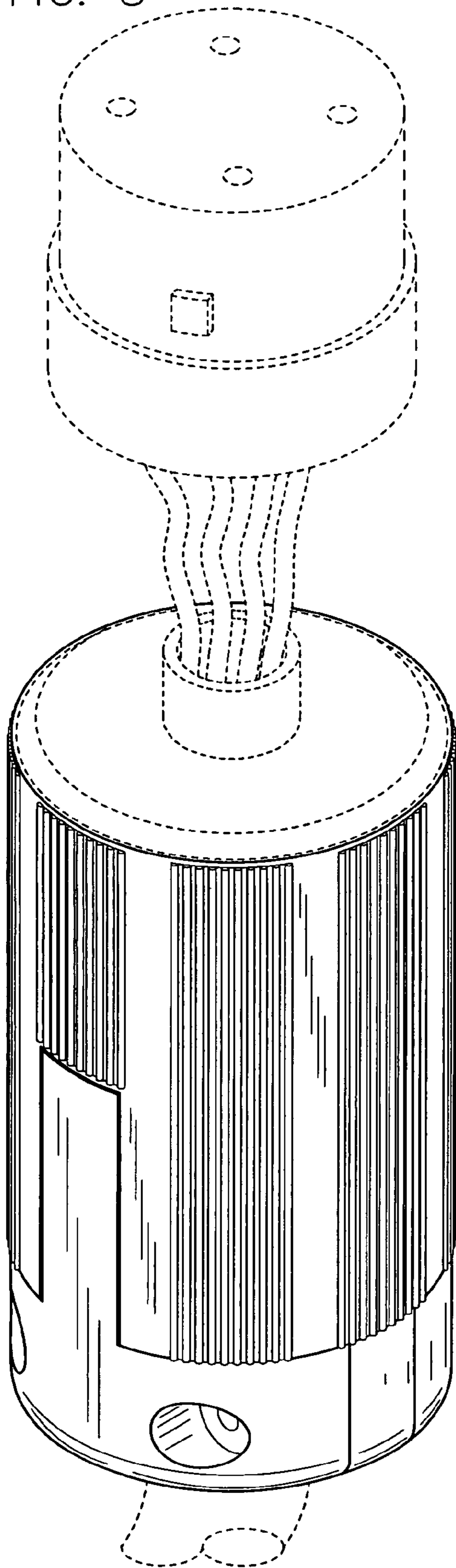


FIG. 9

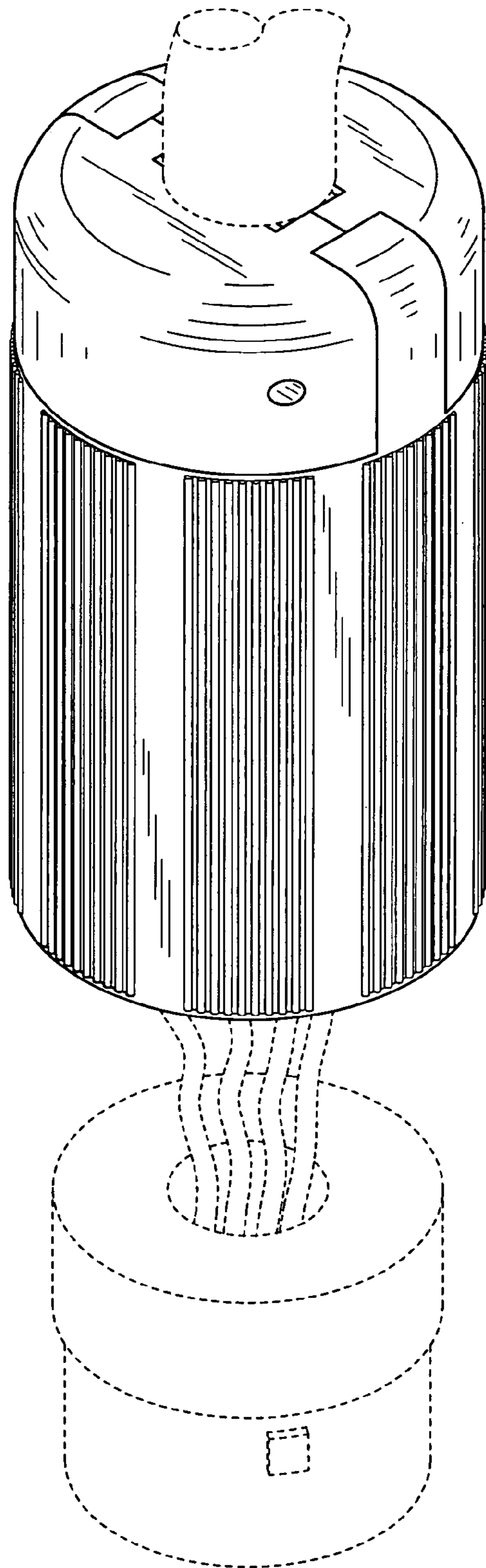


FIG. 10

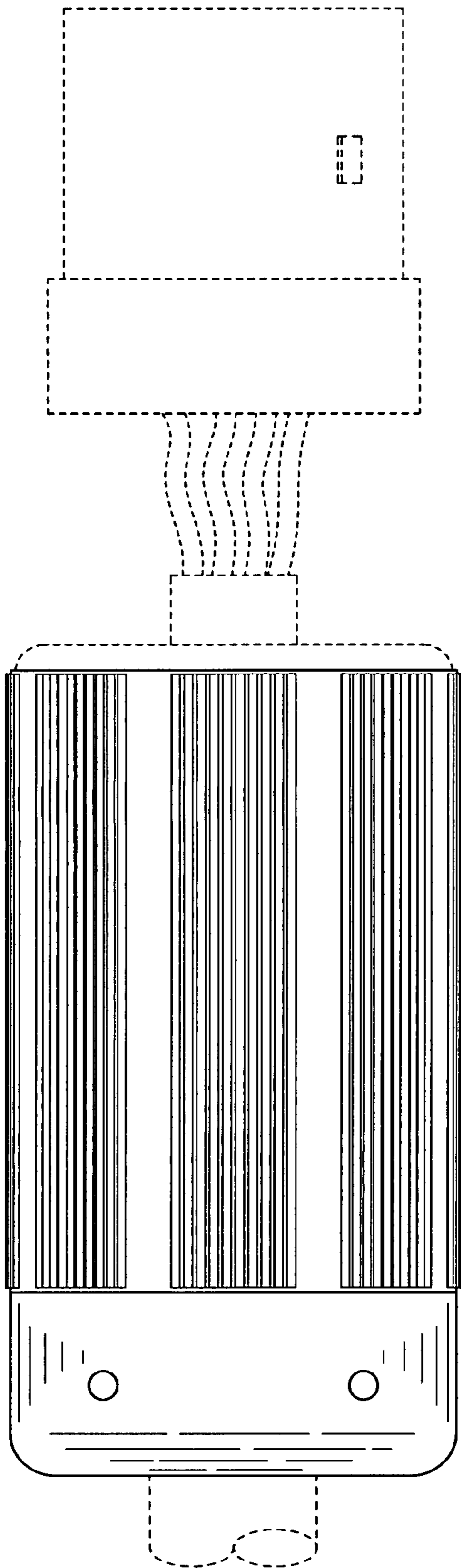


FIG. 11

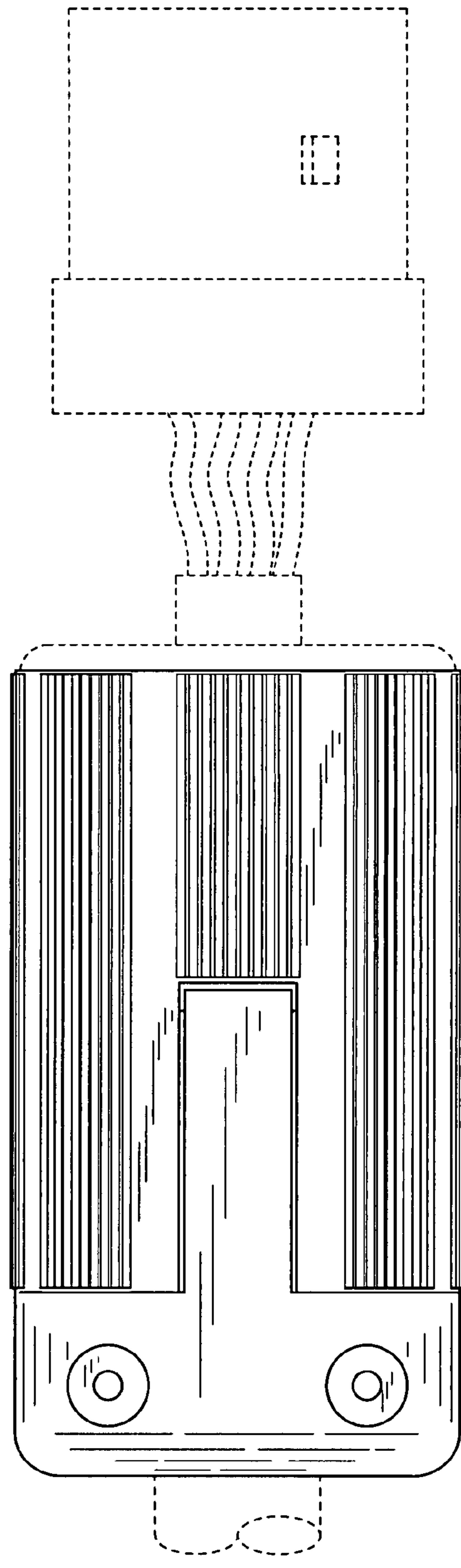


FIG. 12

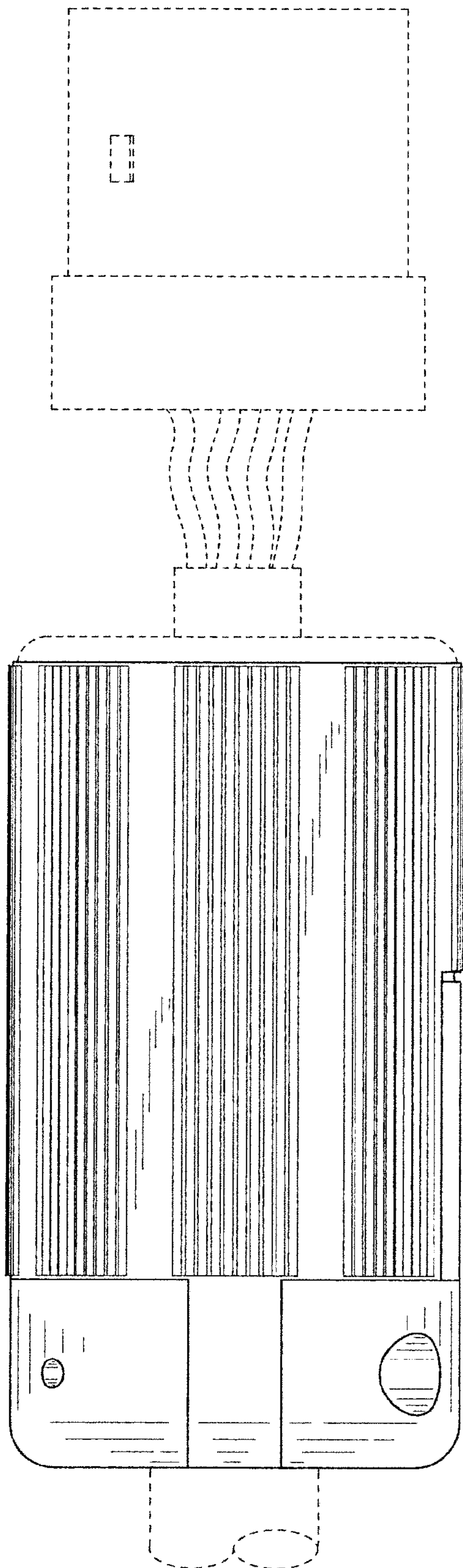


FIG. 13

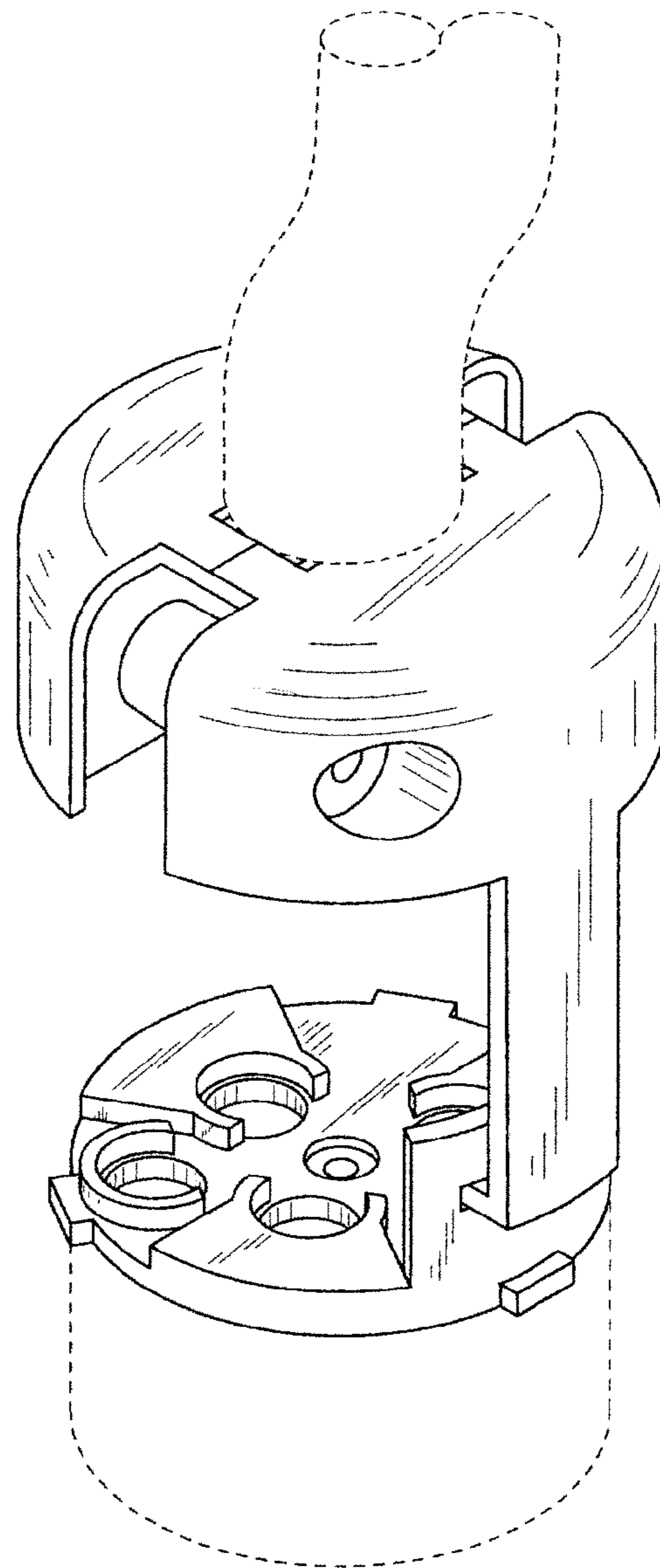


FIG. 14

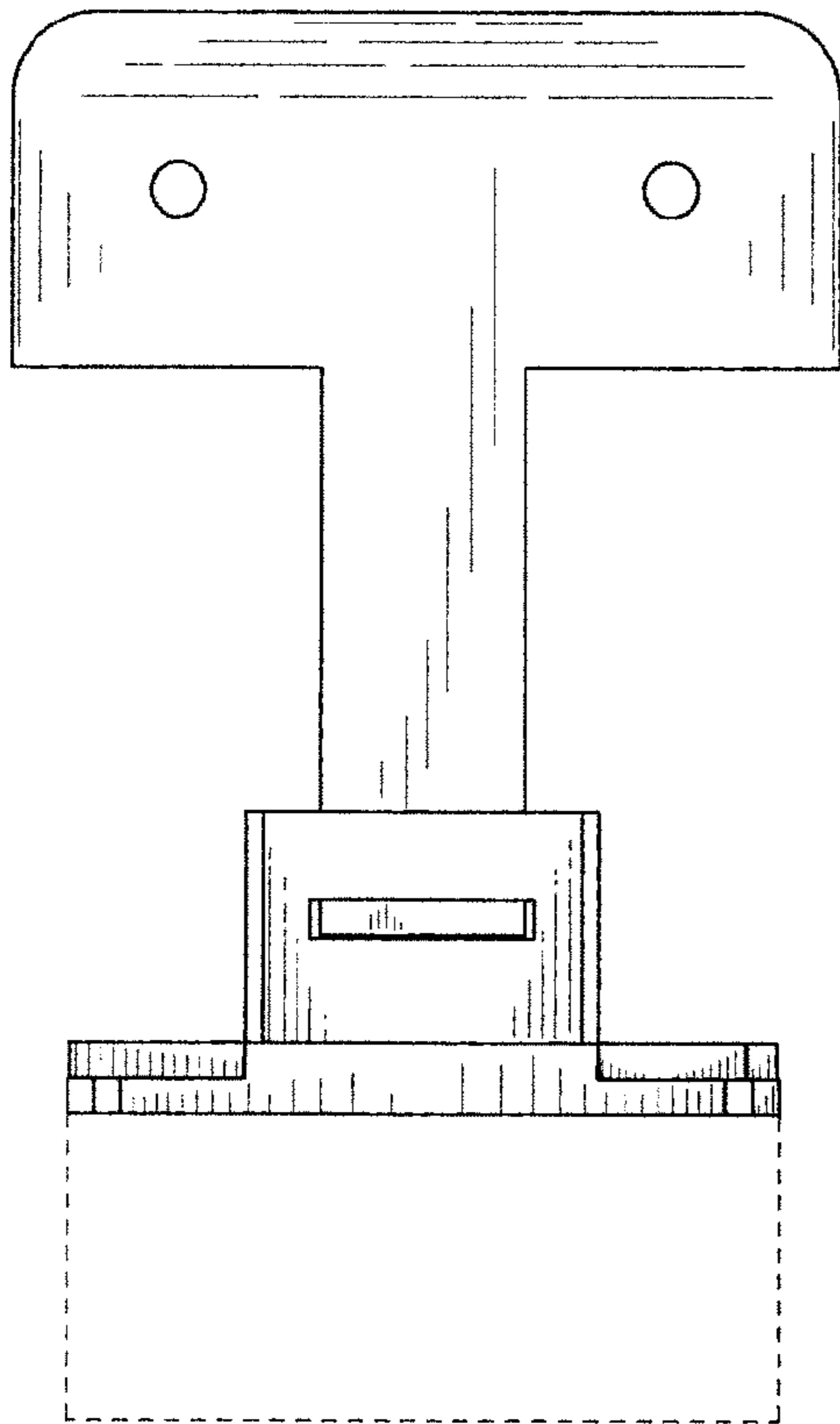


FIG. 15

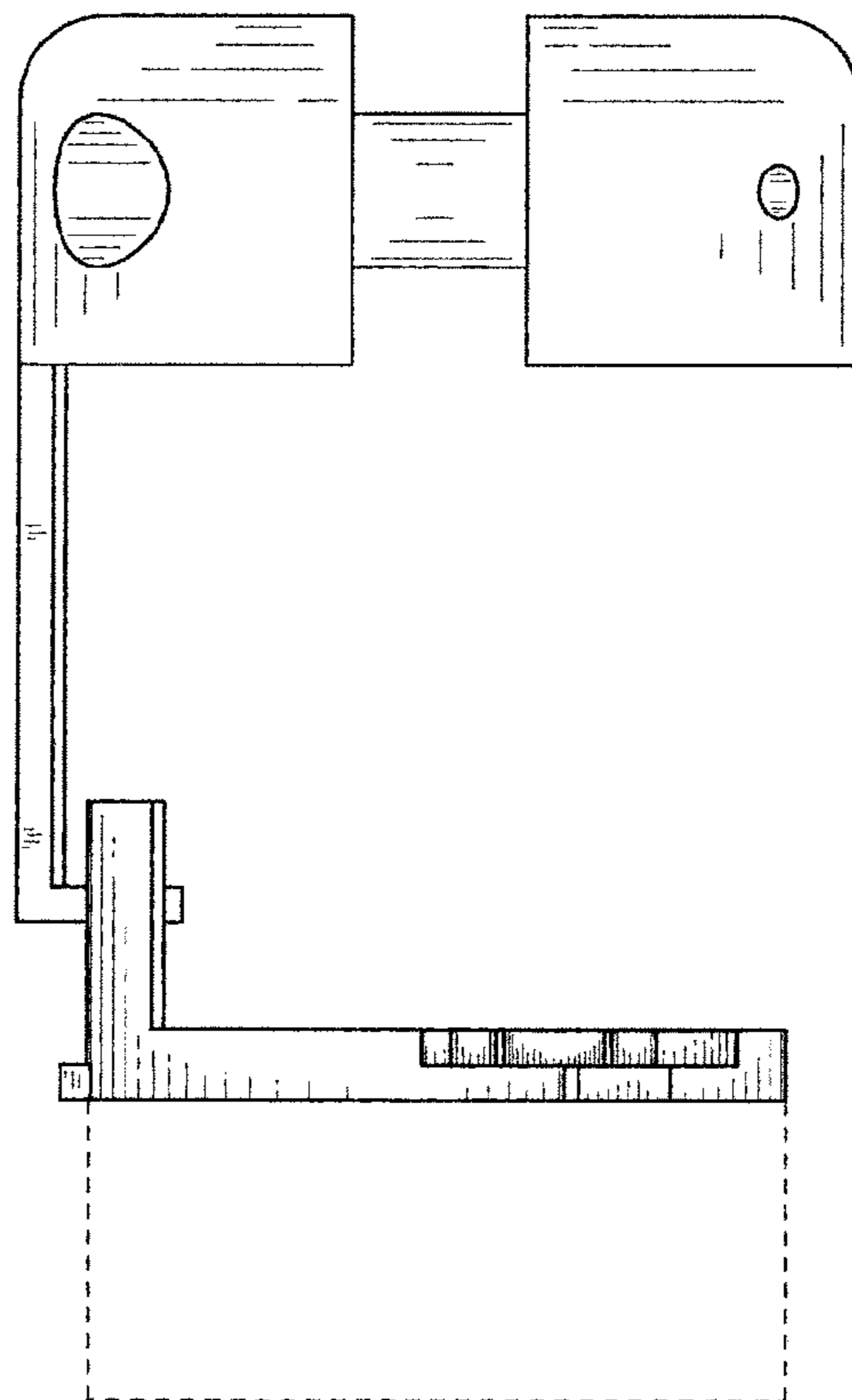
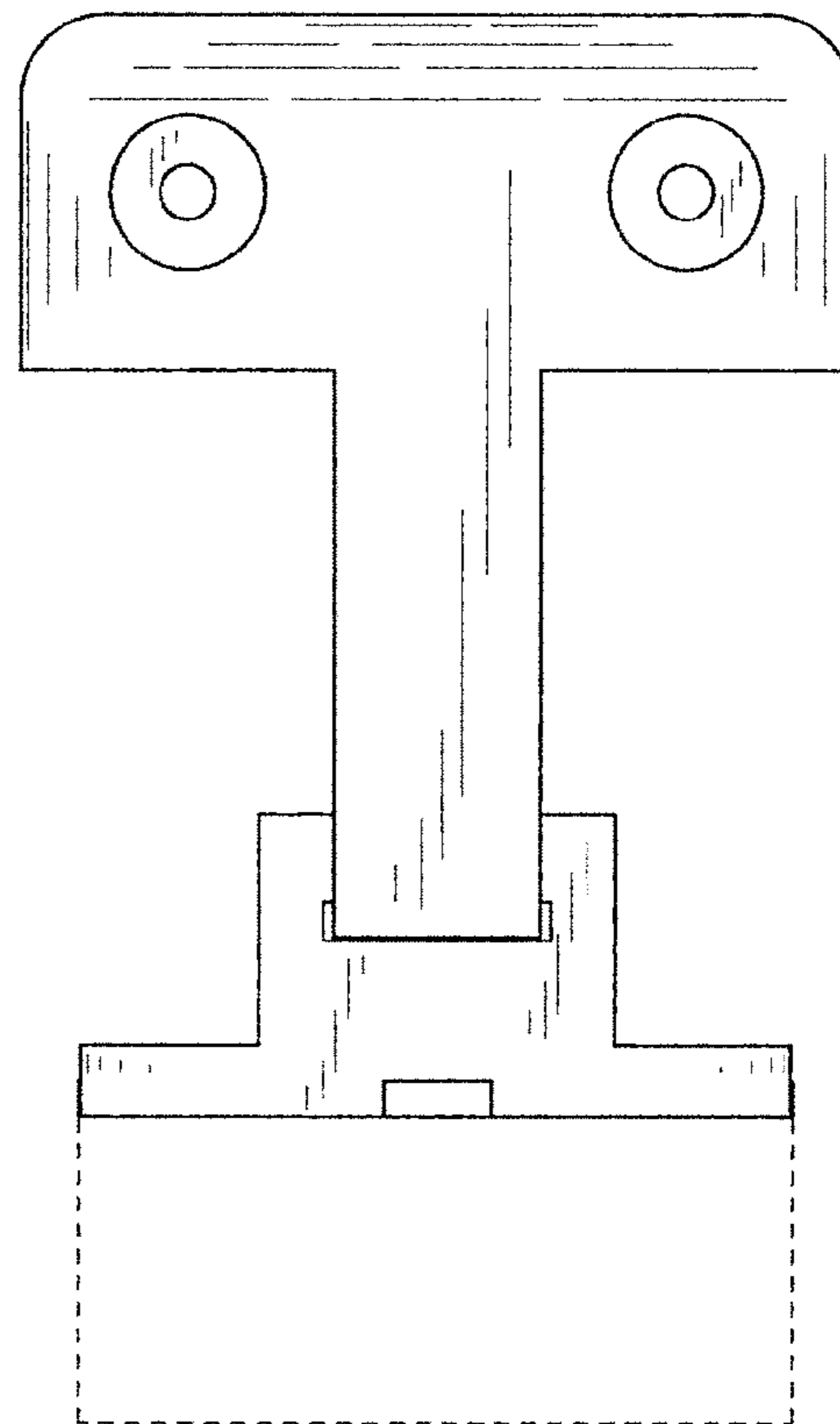


FIG. 16