



US00D587655S

(12) **United States Design Patent**
Chiang

(10) **Patent No.:** **US D587,655 S**
(45) **Date of Patent:** **** Mar. 3, 2009**

(54) **RECEPTACLE CONNECTOR**

D560,612 S * 1/2008 Arai et al. D13/147

(75) Inventor: **Shu Man Chiang**, Tu-Cheng (TW)

* cited by examiner

(73) Assignee: **Cheng Uei Precision Industry Co., Ltd.**, Taipei Hsien (TW)

Primary Examiner—Daniel D Bui
(74) *Attorney, Agent, or Firm*—Rosenberg, Klein & Lee

(**) Term: **14 Years**

(57) **CLAIM**

(21) Appl. No.: **29/300,294**

The ornamental design for a receptacle connector, as shown and described.

(22) Filed: **Mar. 10, 2008**

DESCRIPTION

(51) **LOC (9) Cl.** **13-03**

(52) **U.S. Cl.** **D13/147**

(58) **Field of Classification Search** D13/146–147,
D13/154, 184; 439/79, 108, 607–610, 660,
439/668, 680

See application file for complete search history.

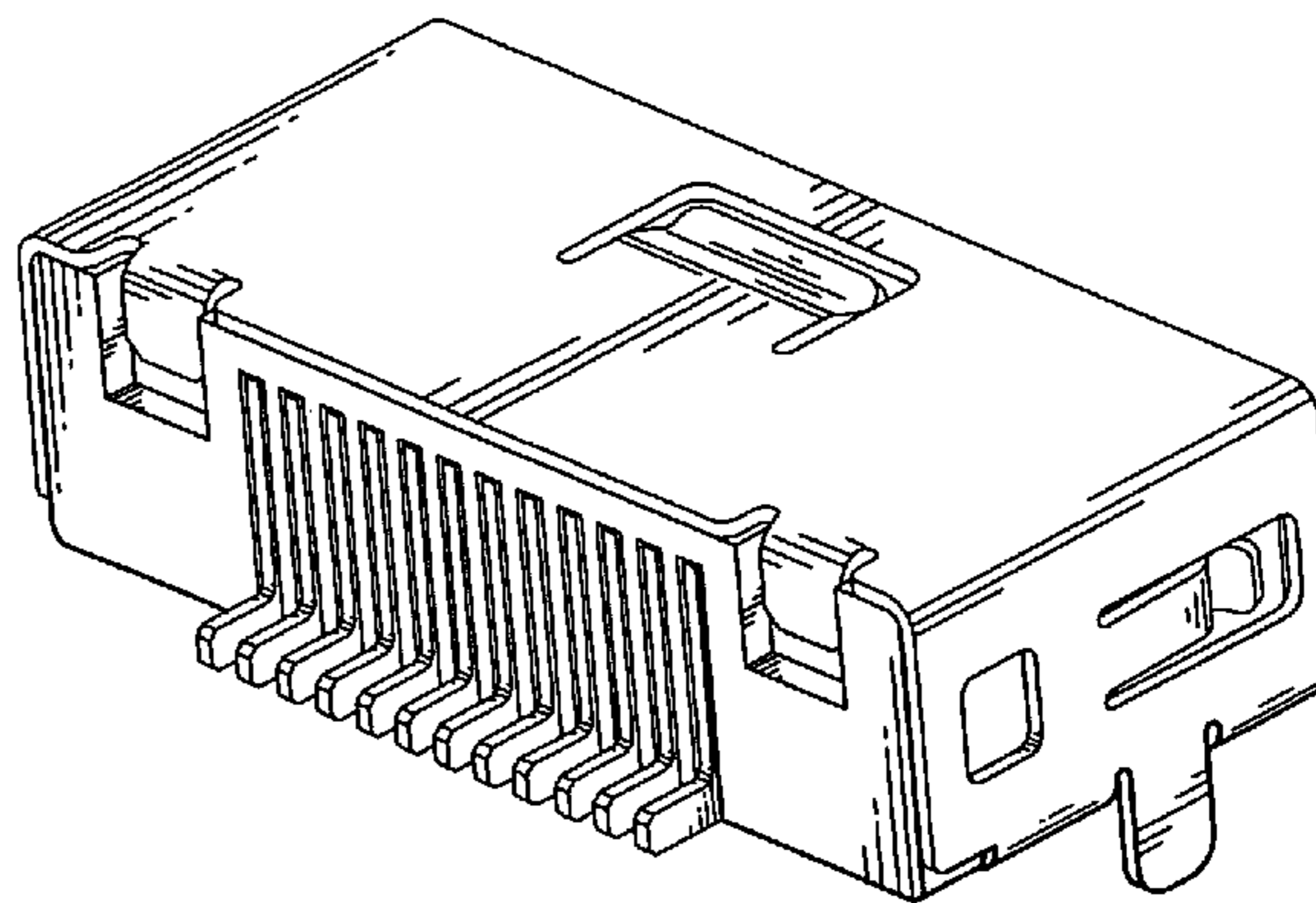
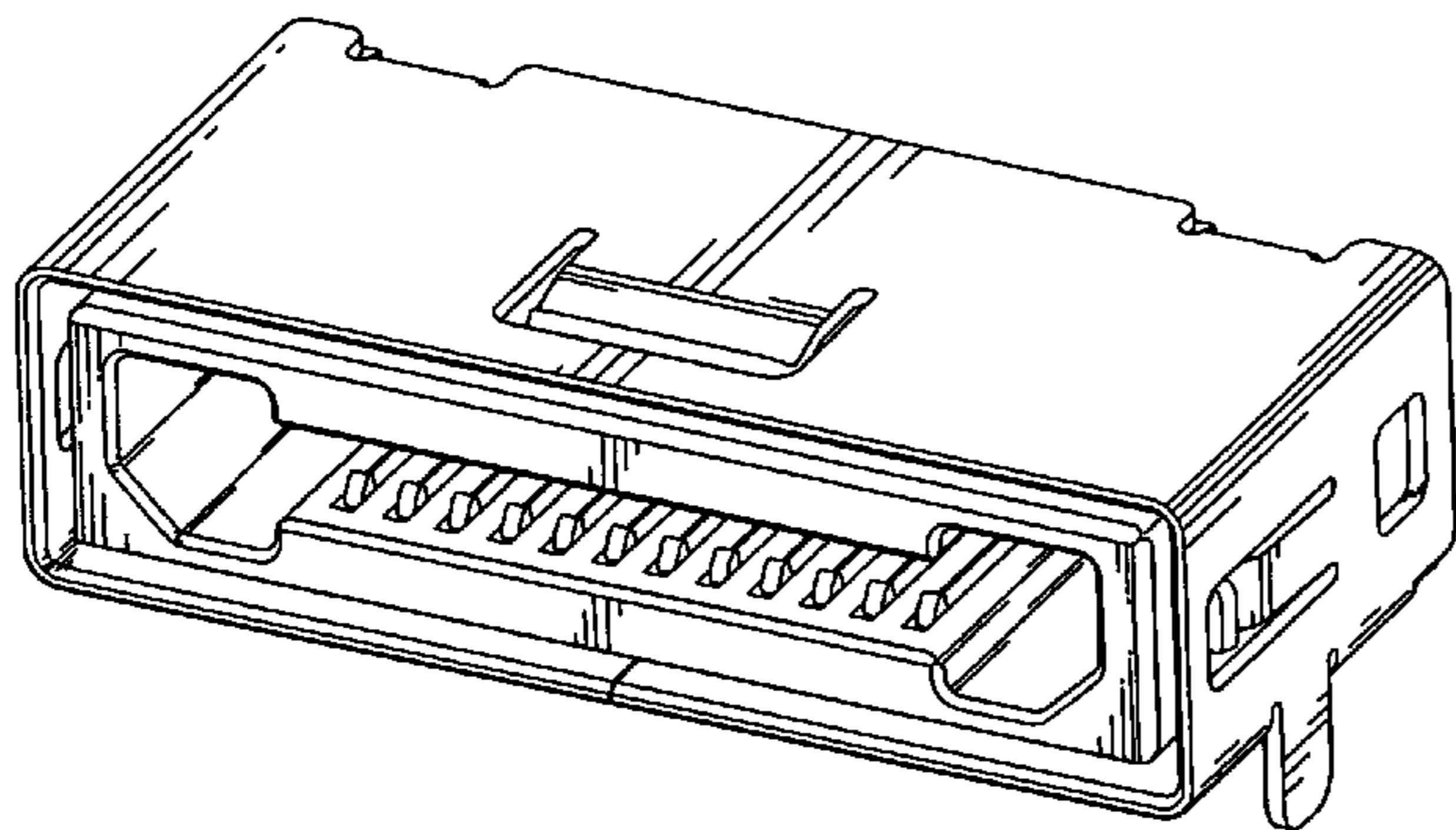
FIG. 1 is a top, front and right side perspective view of a receptacle connector showing my new design;
FIG. 2 is a front elevational view thereof;
FIG. 3 is a rear elevational view thereof;
FIG. 4 is a left side elevational view thereof;
FIG. 5 is a right side elevational view thereof;
FIG. 6 is a top plan view thereof;
FIG. 7 is a bottom plan view thereof; and,
FIG. 8 is a top, rear and left side perspective view thereof.

(56) **References Cited**

U.S. PATENT DOCUMENTS

- D351,136 S * 10/1994 Kurata D13/147
- D522,460 S * 6/2006 Chiang et al. D13/147
- D522,969 S * 6/2006 Nishio et al. D13/147
- D524,753 S * 7/2006 Asakawa et al. D13/147

1 Claim, 8 Drawing Sheets



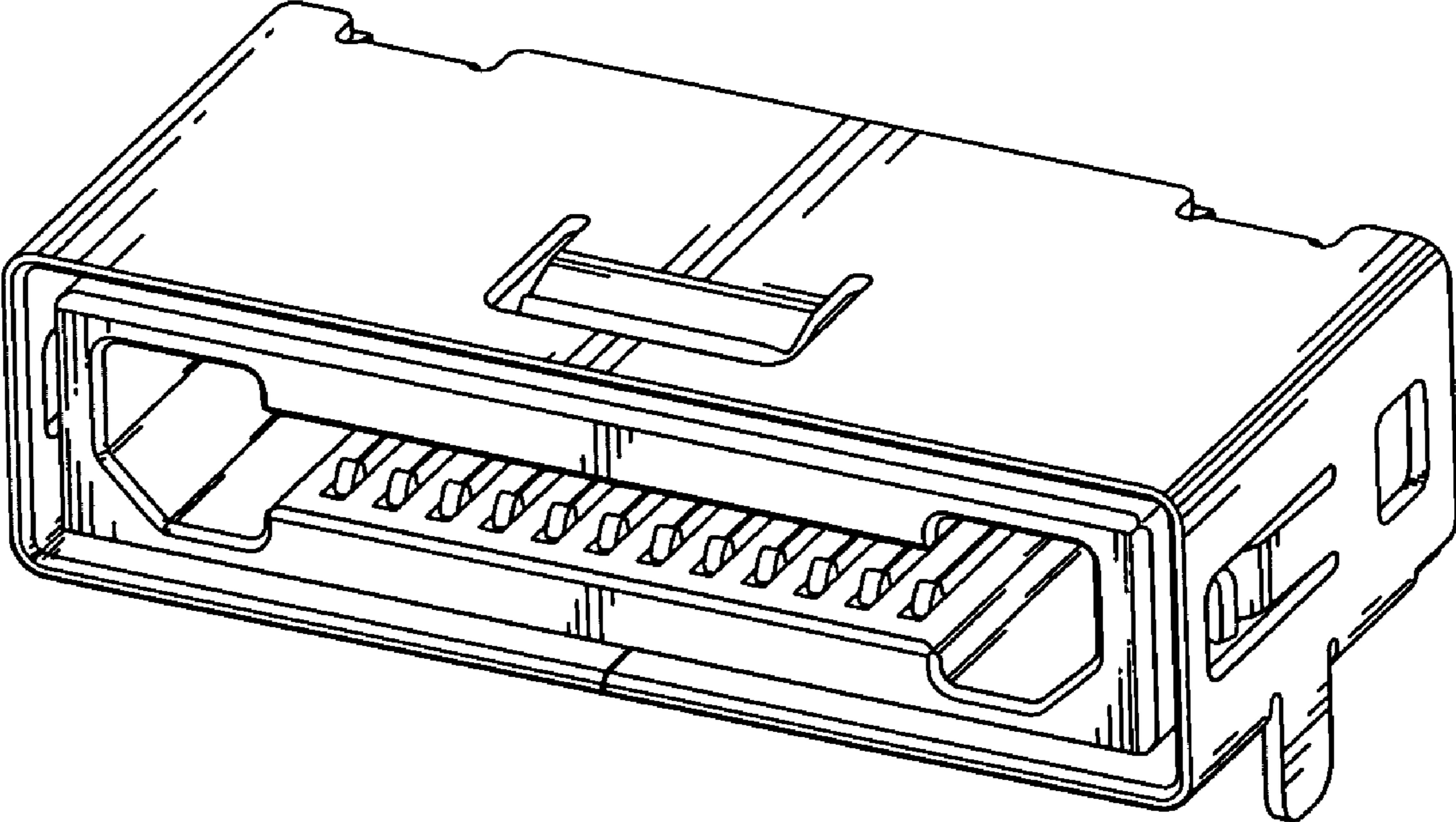


FIG. 1

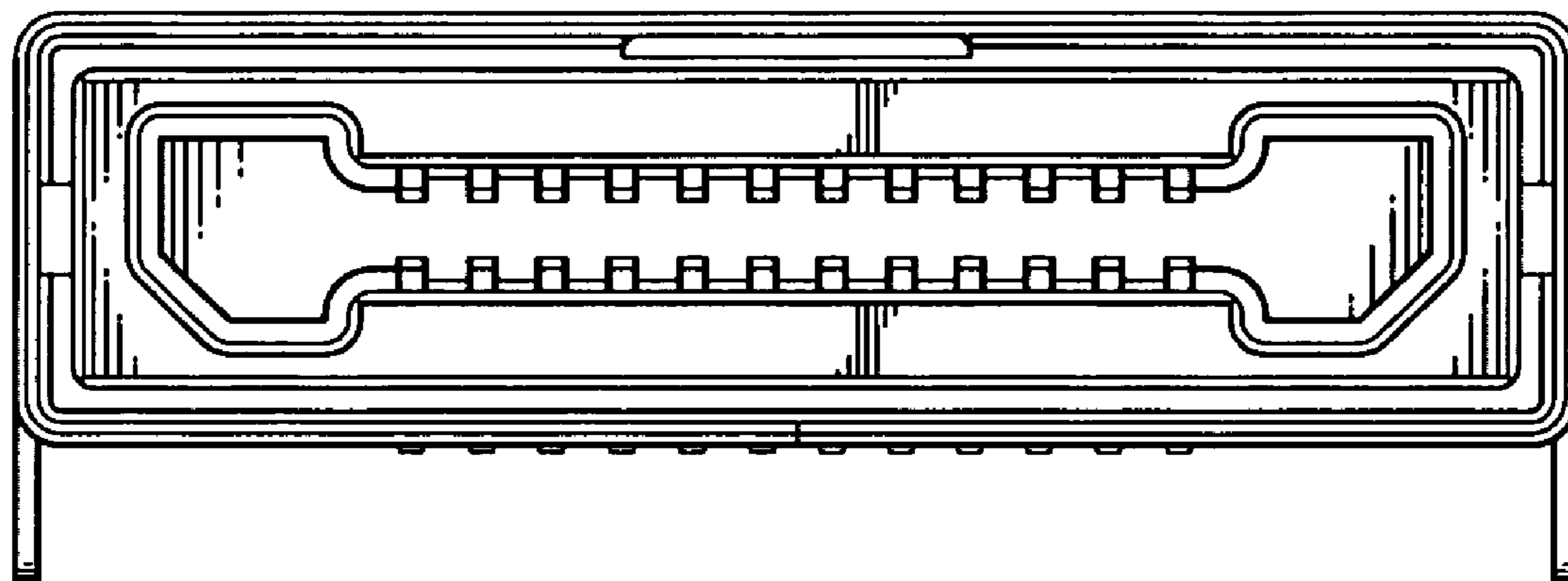


FIG. 2

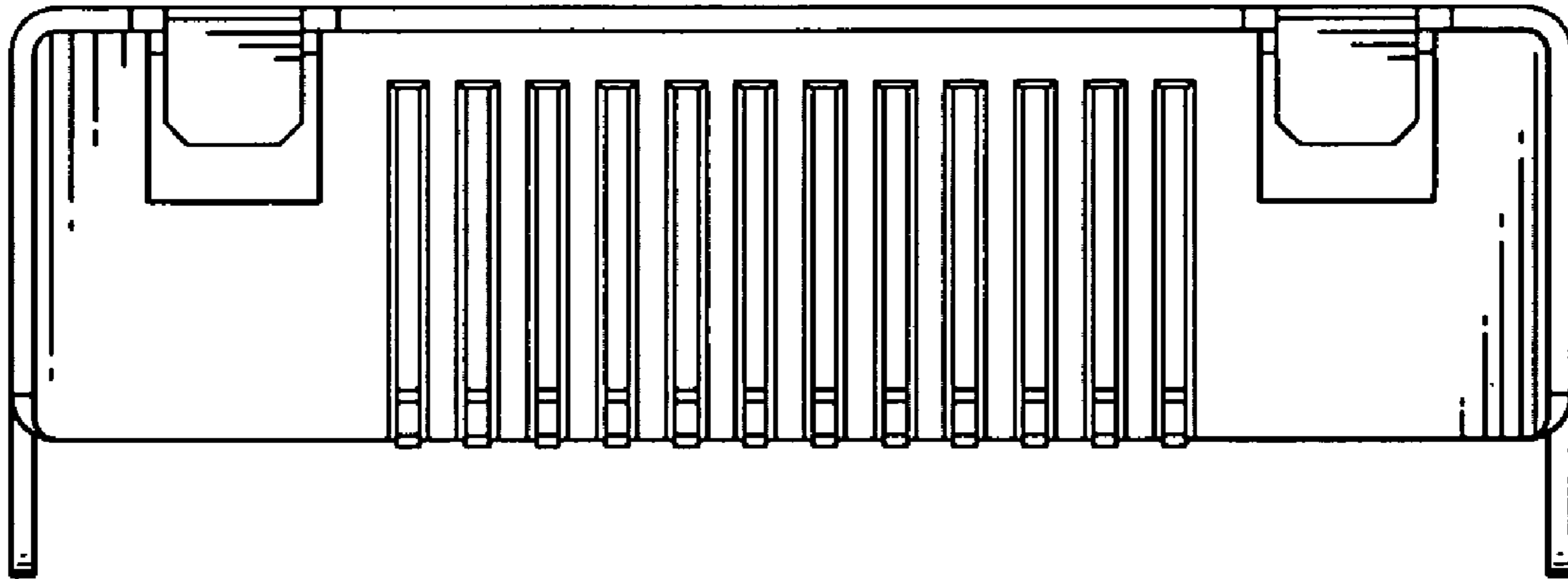


FIG. 3

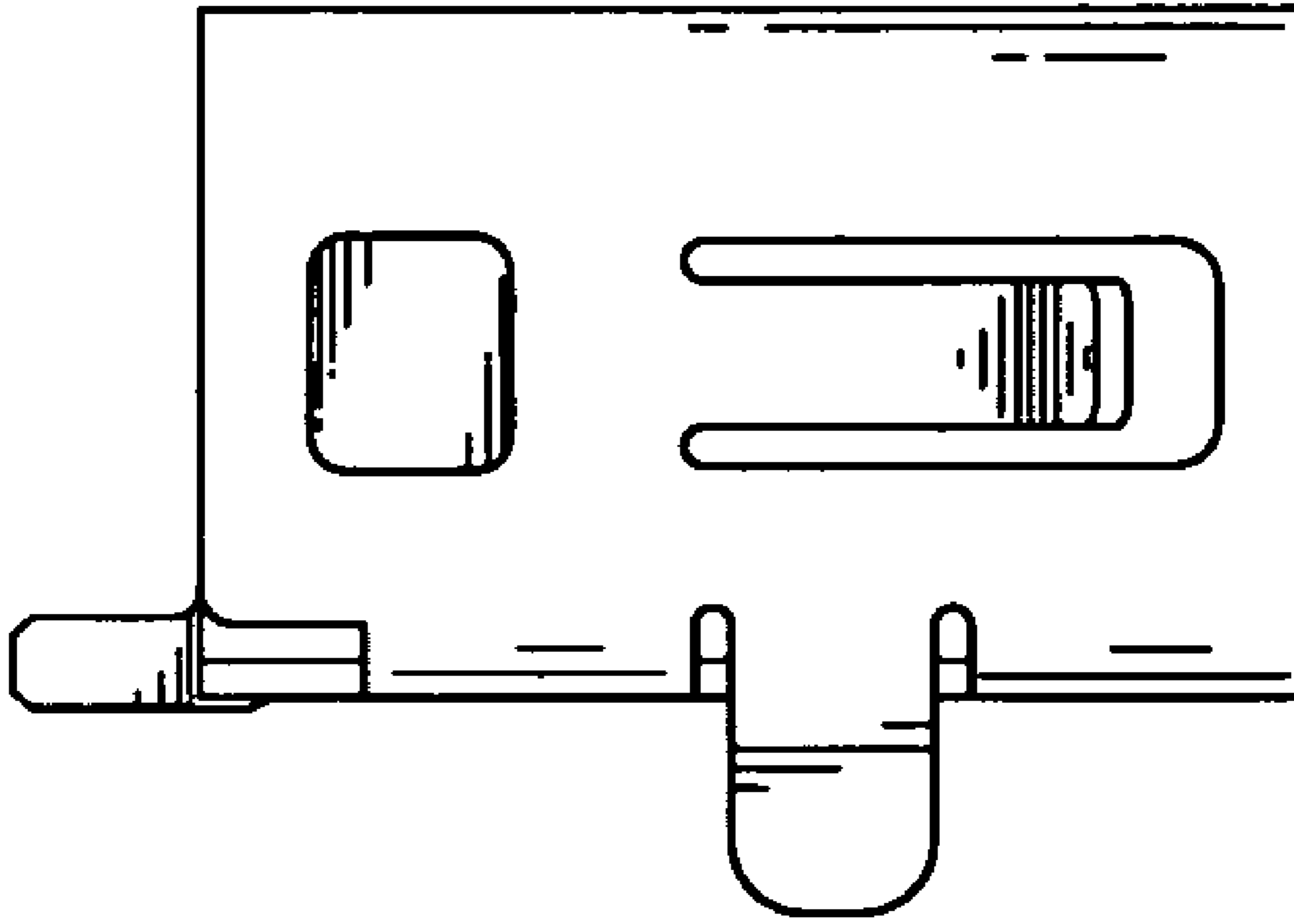


FIG. 4

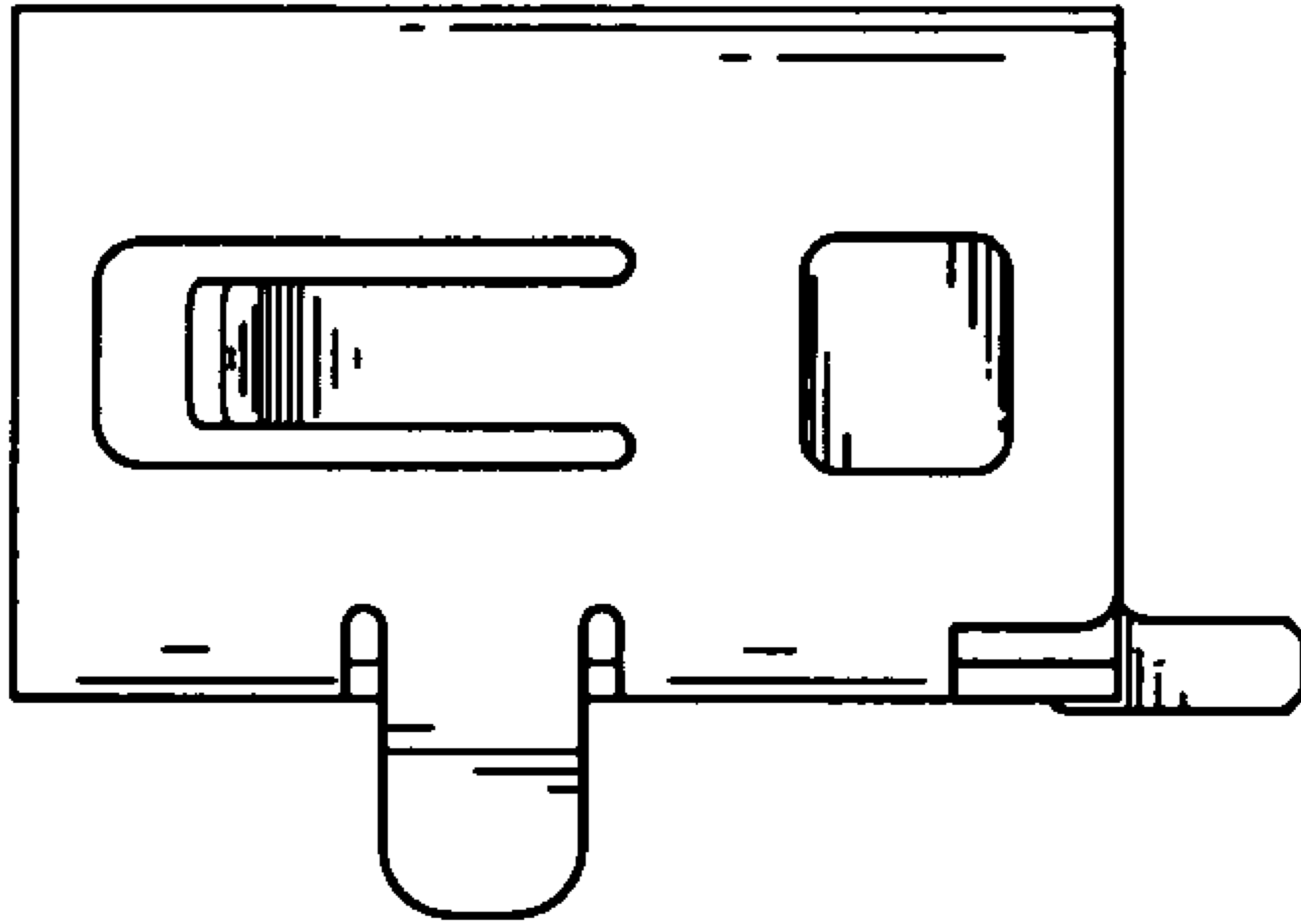


FIG. 5

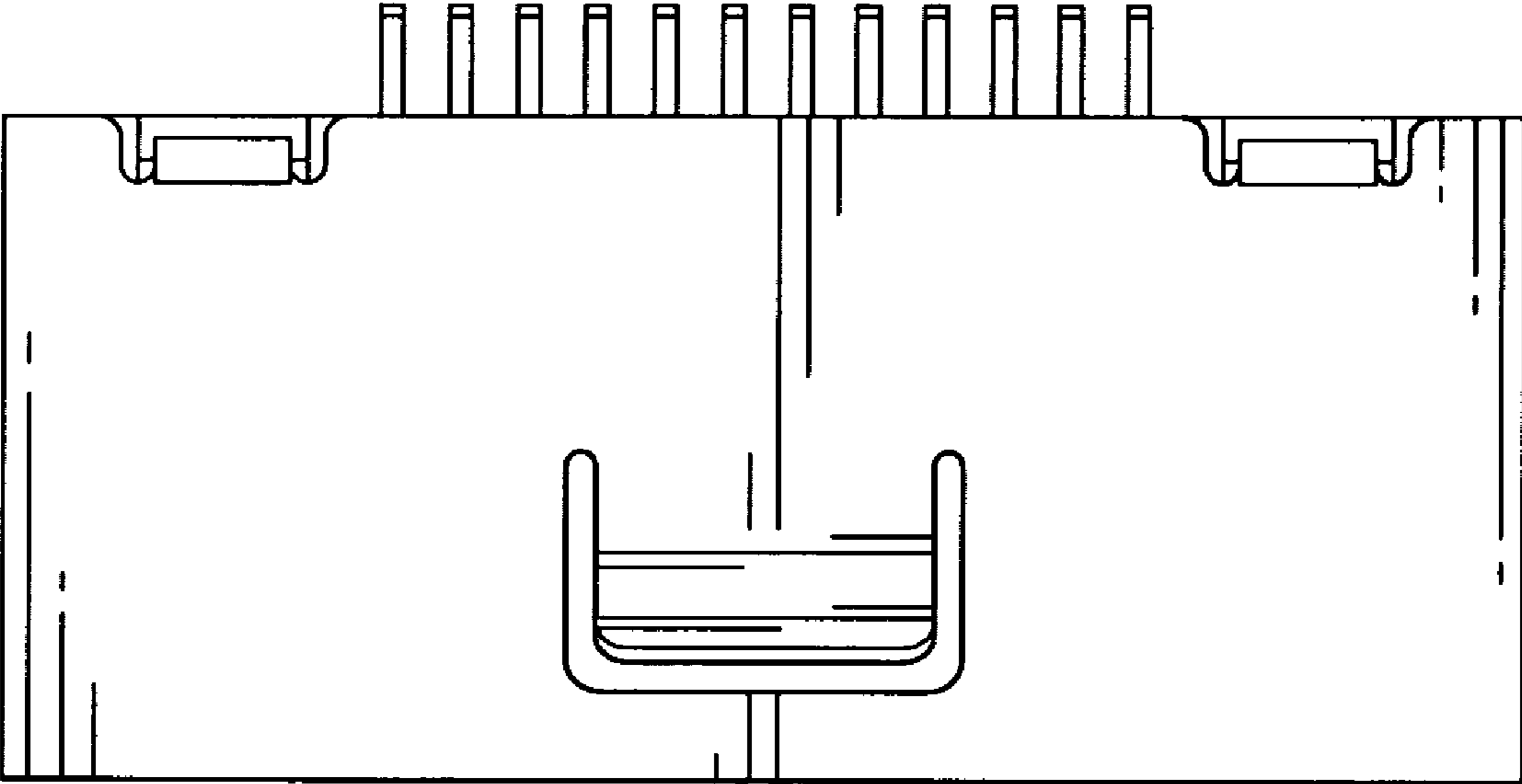


FIG. 6

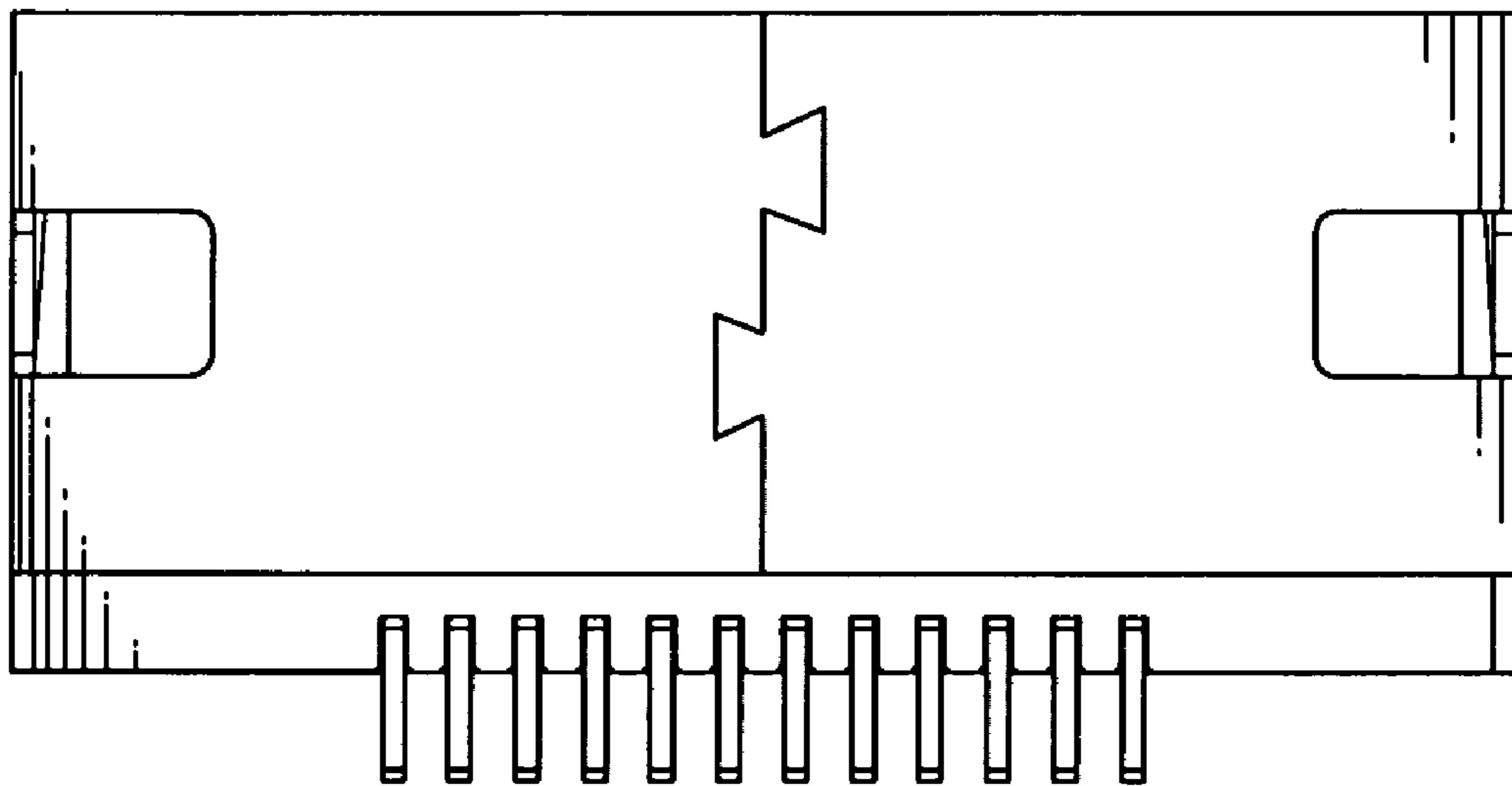


FIG. 7

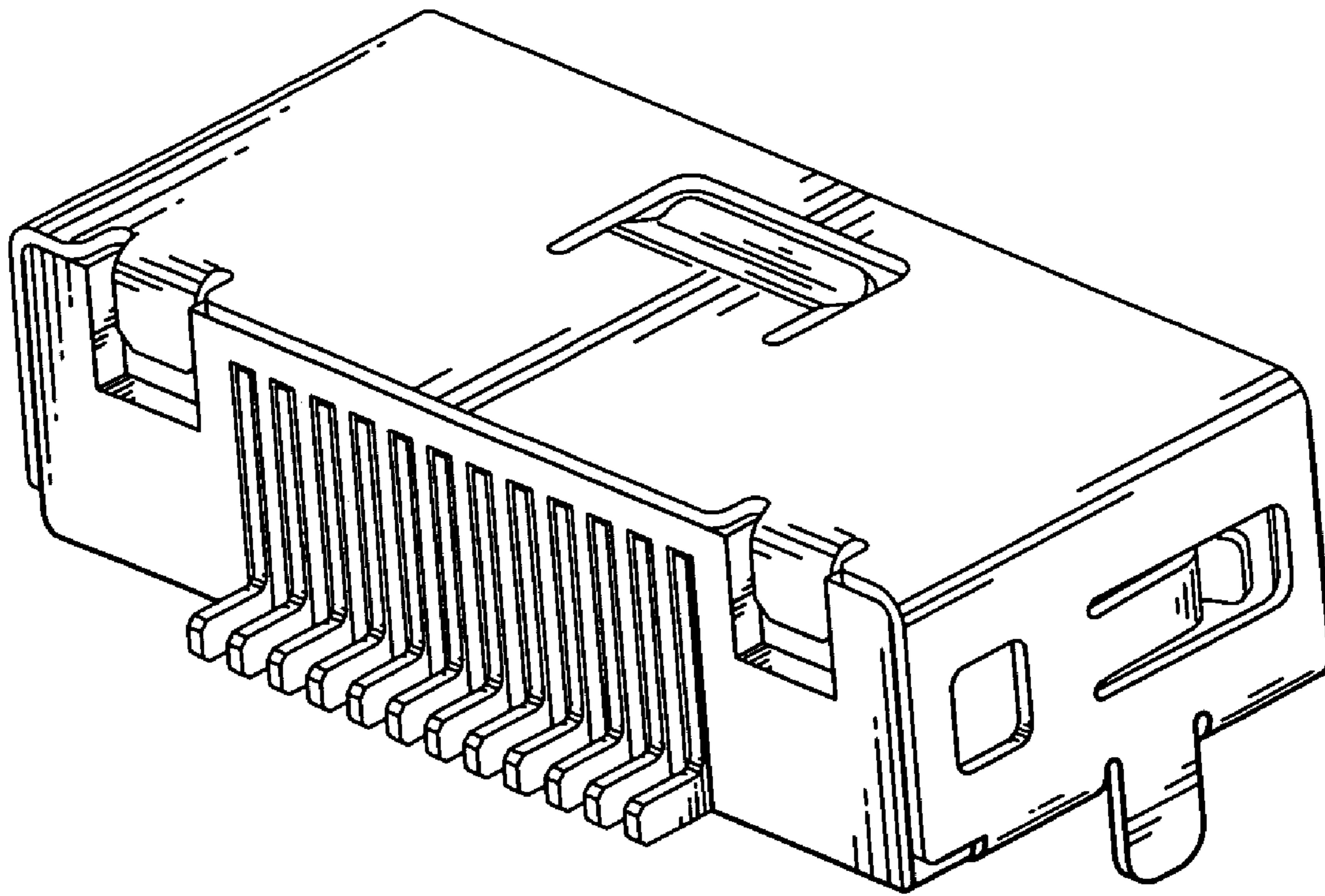


FIG. 8