



US00D587653S

(12) **United States Design Patent**
Barnes, Jr. et al.

(10) **Patent No.:** **US D587,653 S**
(45) **Date of Patent:** **** Mar. 3, 2009**

(54) **ELECTRICAL PLUG**

(75) Inventors: **Jimmie Barnes, Jr.**, Emporia, KS (US);
David Ihde, Osage City, KS (US)

(73) Assignee: **Hopkins Manufacturing Corporation**,
Emporia, KS (US)

(**) Term: **14 Years**

(21) Appl. No.: **29/302,191**

(22) Filed: **Jan. 11, 2008**

(51) **LOC (9) Cl.** **13-03**

(52) **U.S. Cl.** **D13/138.1**

(58) **Field of Classification Search** D13/139.1,
D13/139.2, 139.3, 139.4, 139.5, 139.6, 139.7,
D13/139.8, 138.1, 138.2, 123, 133, 137.1,
D13/137.2, 184, 137.3, 137.4, 124, 160, 162,
D13/164, 178, 154, 156, 146, 147; D14/433,
D14/256; D8/350, 353; 174/53, 55, 56,
174/59, 66, 494, 153 G, 152 G, 154, 167,
174/168, 650, 656; 439/101, 105, 43, 53,
439/374, 894, 46, 55, 63, 92, 93, 95, 102,
439/106, 107, 108, 135, 149, 222, 266, 285,
439/291, 300, 344, 373, 535, 620.21, 638,
439/660, 907, 650, 651, 652, 653, 654
See application file for complete search history.

(56) **References Cited**

U.S. PATENT DOCUMENTS

4,784,610 A * 11/1988 Stuart 439/144
D311,724 S * 10/1990 Huang D13/146
5,505,632 A * 4/1996 Hayashi et al. 439/318
5,584,712 A * 12/1996 Fukushima 439/141

D406,816 S * 3/1999 Hopper et al. D13/146
D413,100 S * 8/1999 Nakazawa D13/146
D461,448 S * 8/2002 Amin D13/133
D484,102 S * 12/2003 Fan D13/160
D509,474 S * 9/2005 Bihrer D13/146
D511,747 S * 11/2005 Rey et al. D13/147
D512,965 S * 12/2005 Dobler D13/146
D525,203 S * 7/2006 Bihrer D13/146
D534,126 S * 12/2006 Chan D13/139.1

* cited by examiner

Primary Examiner—Jennifer Rivard

Assistant Examiner—Angela J Lee

(74) *Attorney, Agent, or Firm*—George R. McGuire; Bond
Schoeneck & King, PLLC

(57) **CLAIM**

The ornamental design for an electrical plug, as shown and
described.

DESCRIPTION

FIG. 1 is a perspective view of a new and ornamental design
for an electrical plug;

FIG. 2 is a front elevation view thereof;

FIG. 3 is a rear elevation view thereof;

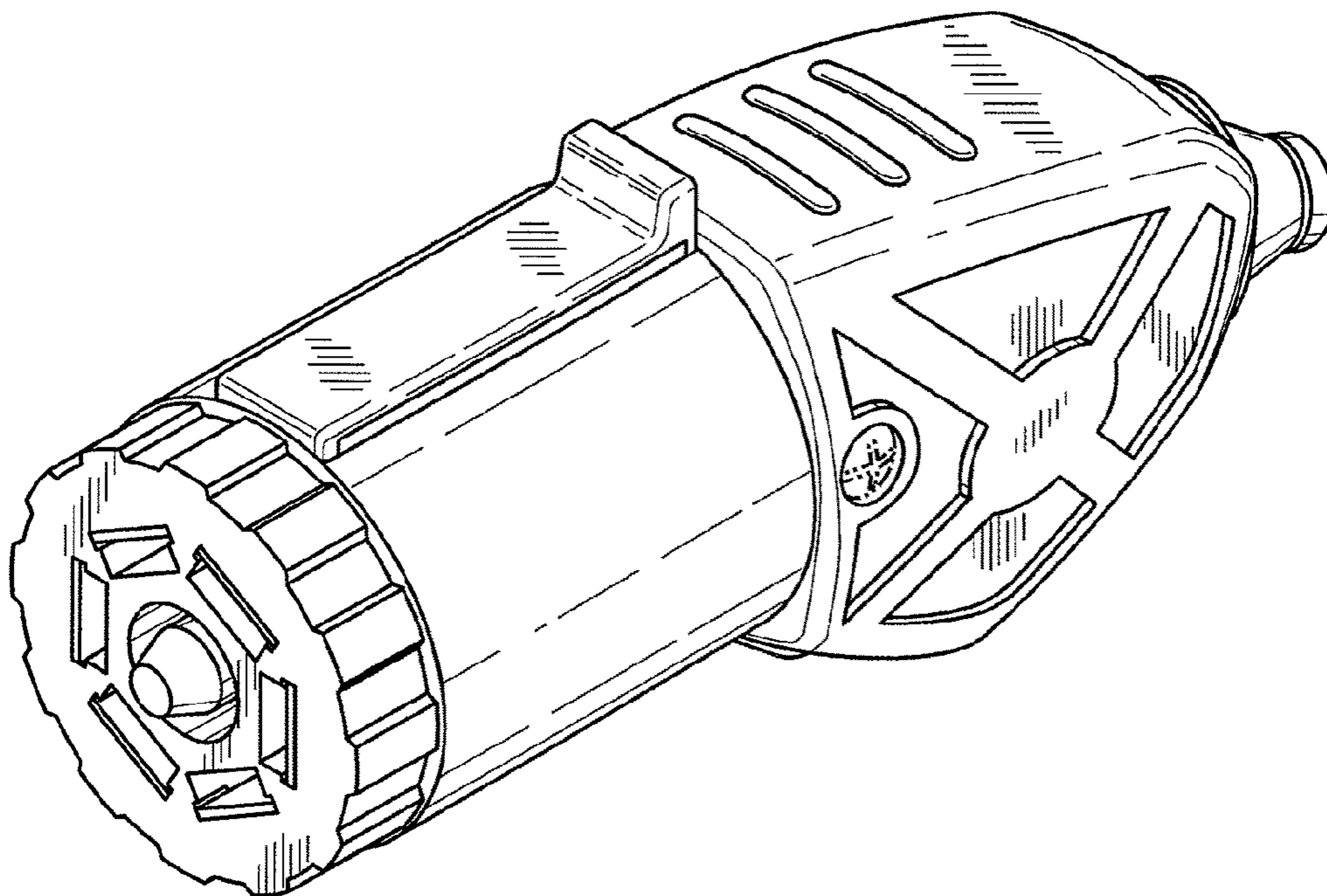
FIG. 4 is a top plan view thereof;

FIG. 5 is a side elevation view thereof; the other side being a
mirror image; and,

FIG. 6 is a bottom plan view thereof.

The broken line showing of portions of an electrical plug is
included for the purpose of illustrating environmental struc-
ture and forms no part of the claimed design.

1 Claim, 2 Drawing Sheets



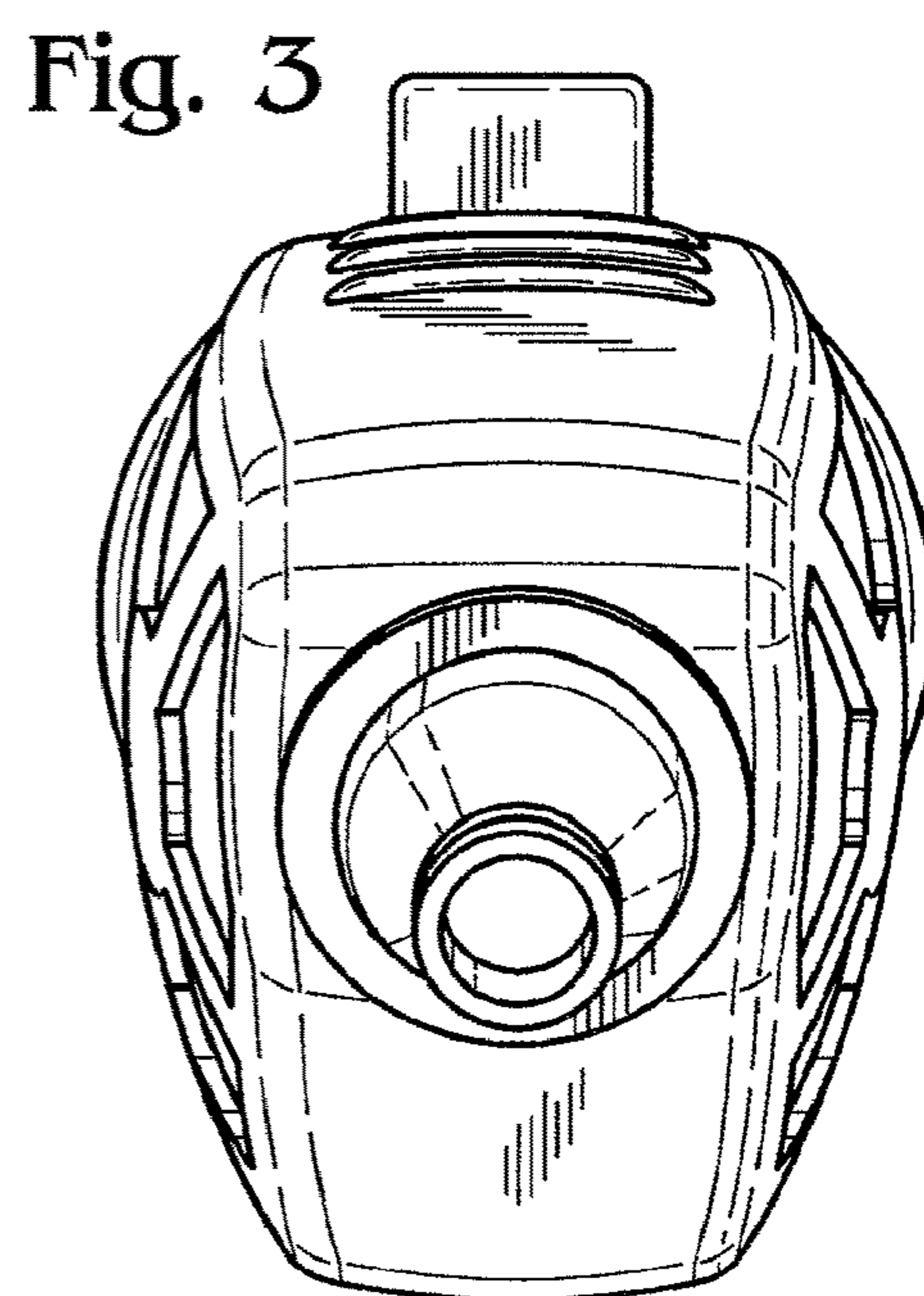
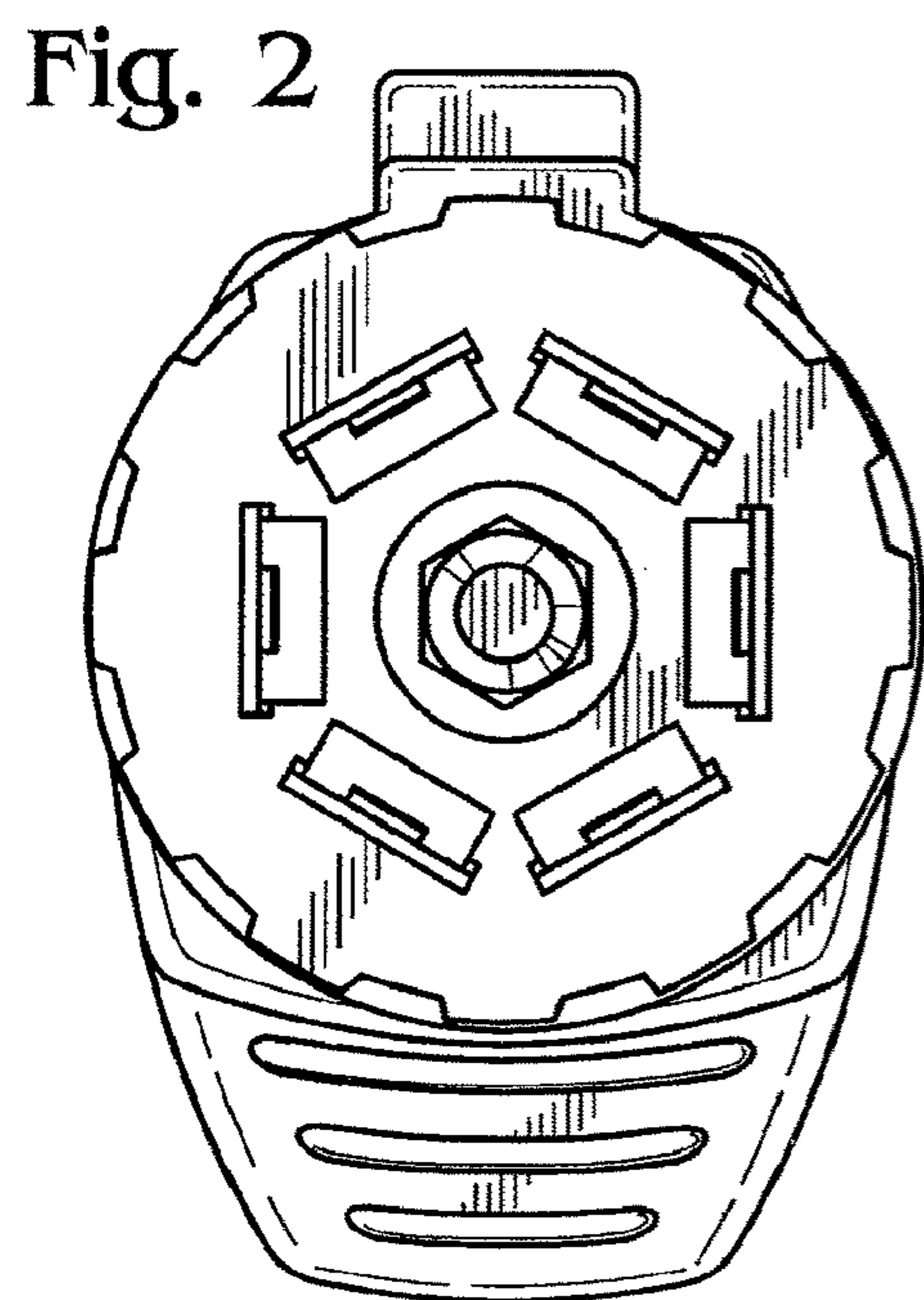
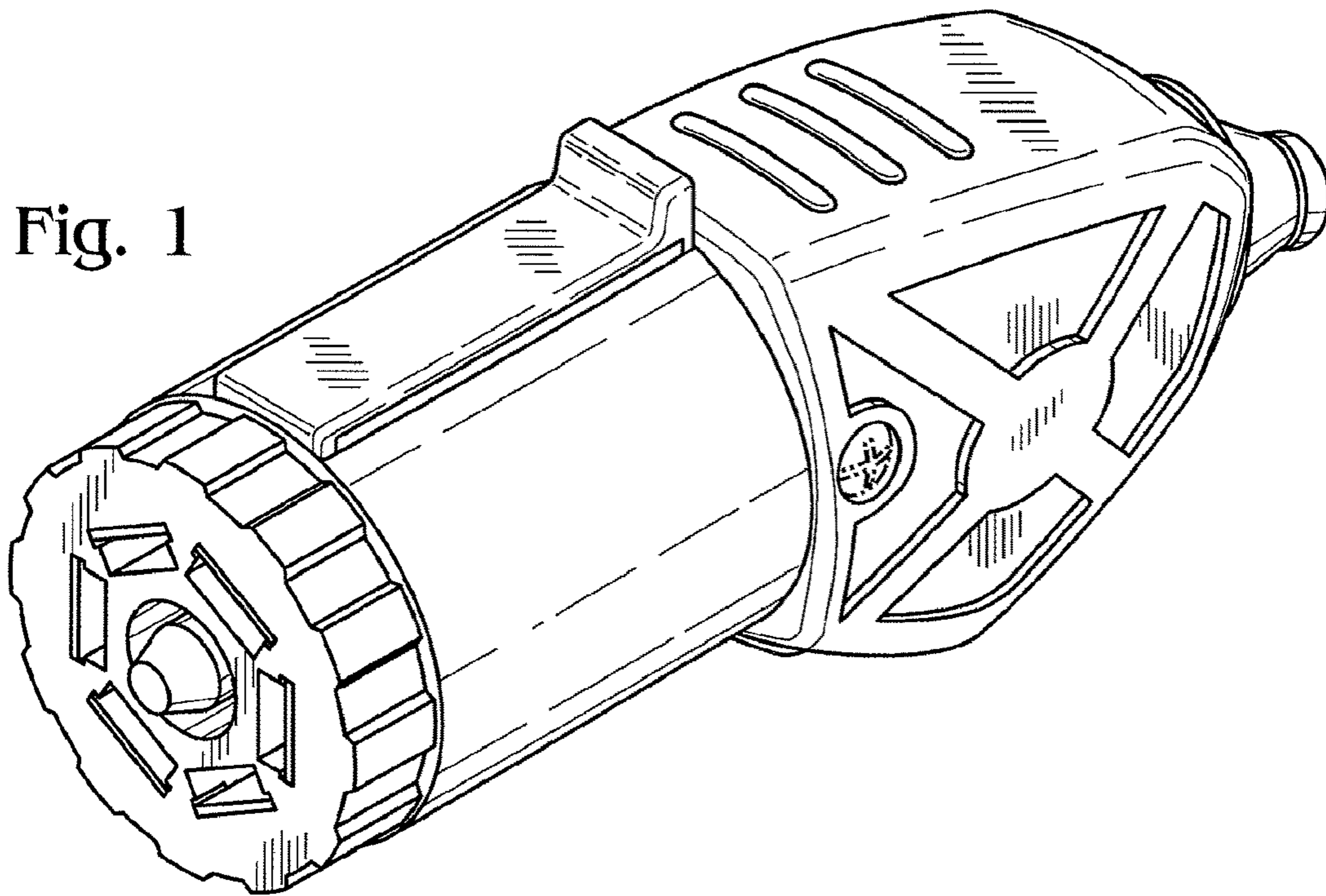


Fig. 4

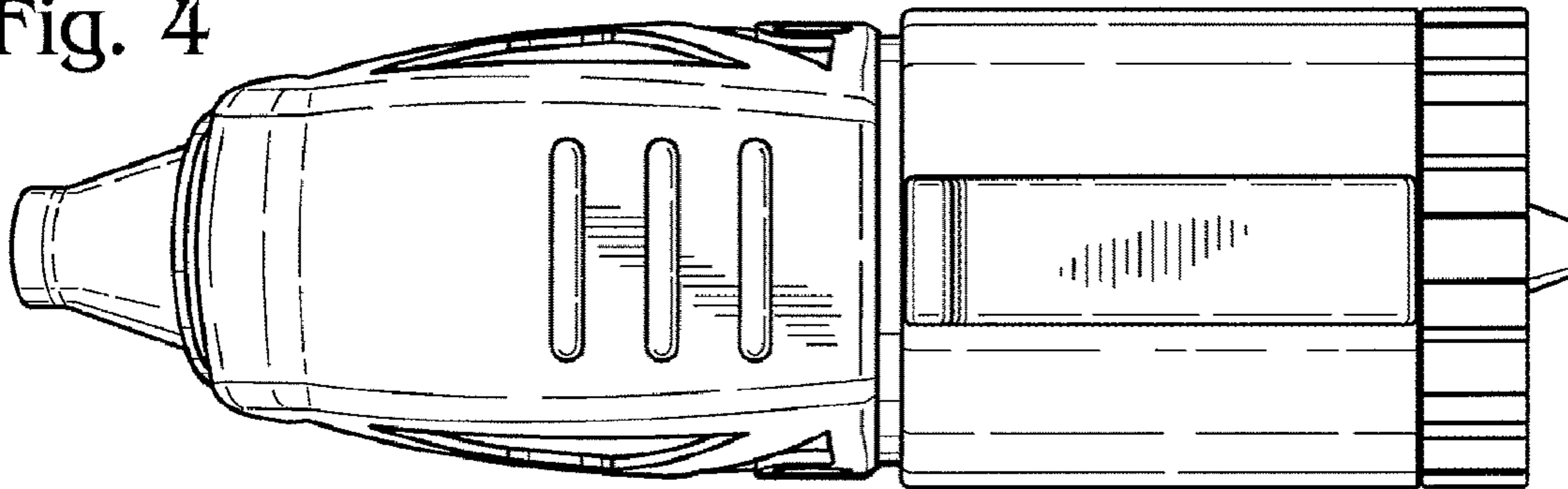


Fig. 5

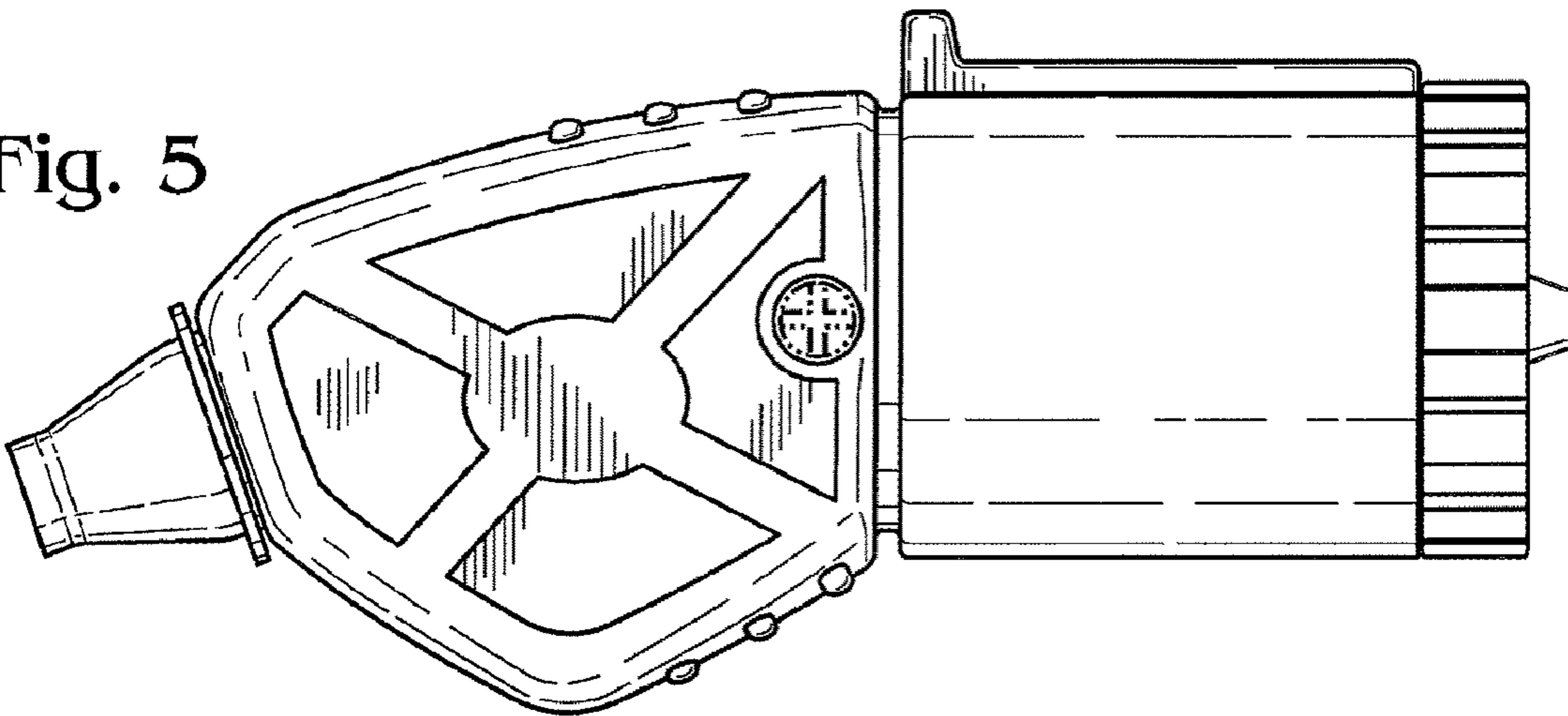


Fig. 6

