



US00D587652S

(12) **United States Design Patent**
Yang

(10) **Patent No.:** **US D587,652 S**
(45) **Date of Patent:** **** Mar. 3, 2009**

(54) **CONNECTOR**

D553,568 S * 10/2007 Lee et al. D13/133

(76) Inventor: **Lin Wei Yang**, No. 1 Henghai Road,
South District Zhongshan, Guangdong
(CN) 528400

* cited by examiner

Primary Examiner—Daniel D Bui
(74) *Attorney, Agent, or Firm*—Merchant & Gould P.C.

(**) Term: **14 Years**

(57) **CLAIM**

(21) Appl. No.: **29/321,894**

The ornamental design for a connector, as shown and described.

(22) Filed: **Jul. 25, 2008**

DESCRIPTION

(51) **LOC (9) Cl.** **13-03**

(52) **U.S. Cl.** **D13/133**

(58) **Field of Classification Search** D13/133,
D13/146–147, 153, 154, 184; 439/79, 108,
439/607–610, 660, 668, 680, 686
See application file for complete search history.

FIG. 1 is a top plan view of a connector showing my new design;

FIG. 2 is a side elevation view thereof;

FIG. 3 is an opposite side elevation view thereof;

FIG. 4 is a bottom plan view thereof;

FIG. 5 is an end elevation view thereof;

FIG. 6 is an opposite end elevation view thereof; and,

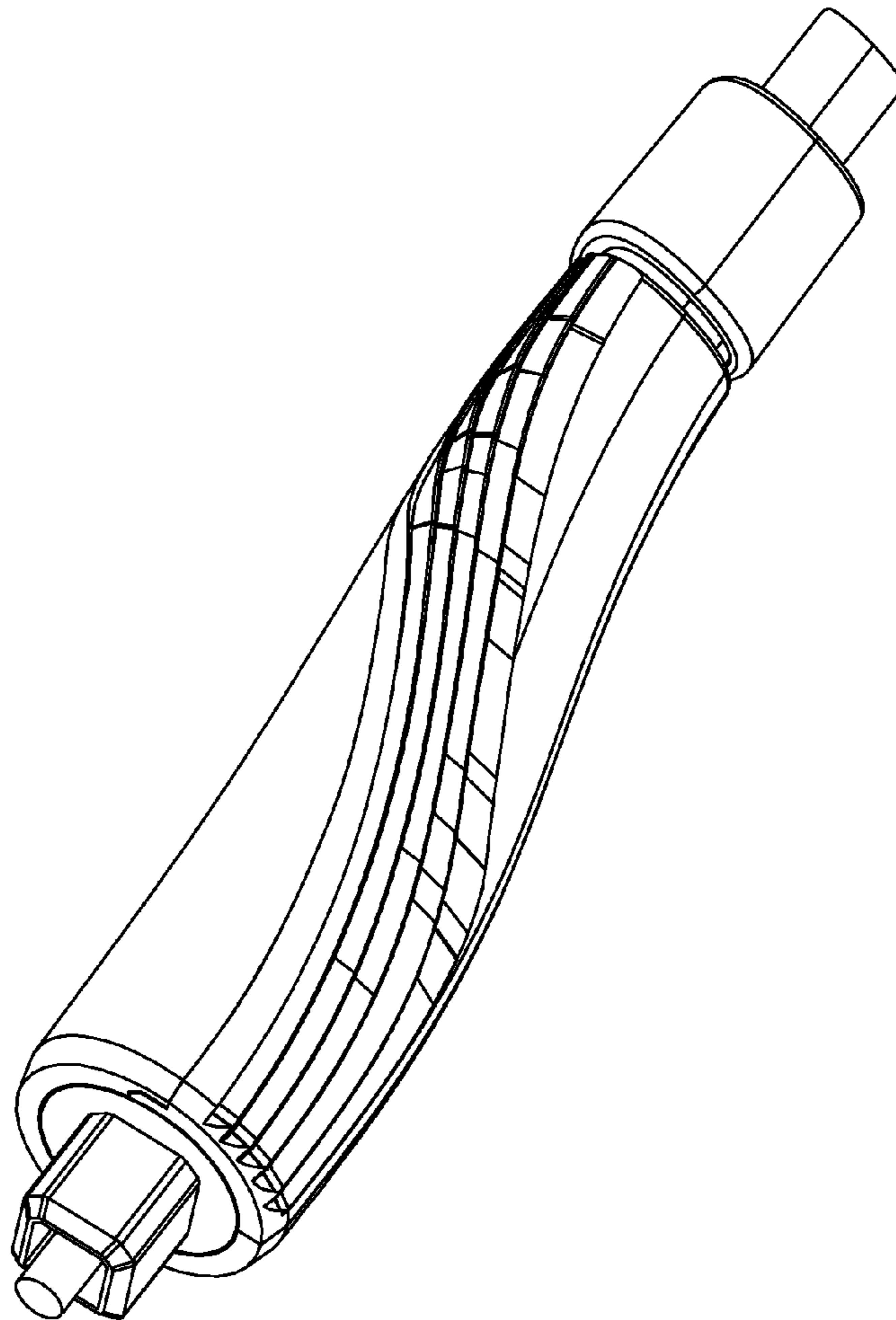
FIG. 7 is a perspective view thereof.

(56) **References Cited**

U.S. PATENT DOCUMENTS

D482,334 S * 11/2003 Amling et al. D13/147
D514,523 S * 2/2006 Lee et al. D13/156
D549,662 S * 8/2007 Lee et al. D13/154

1 Claim, 6 Drawing Sheets



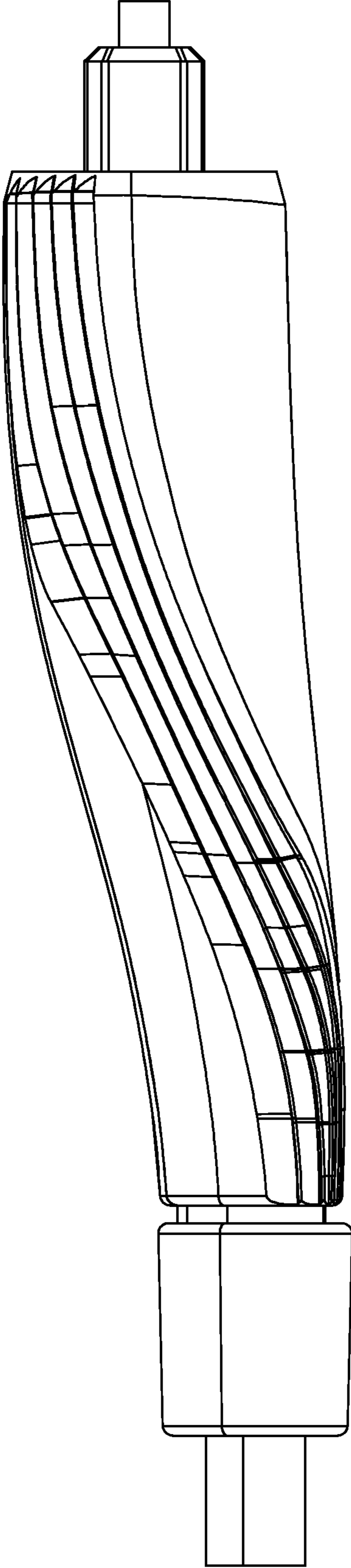
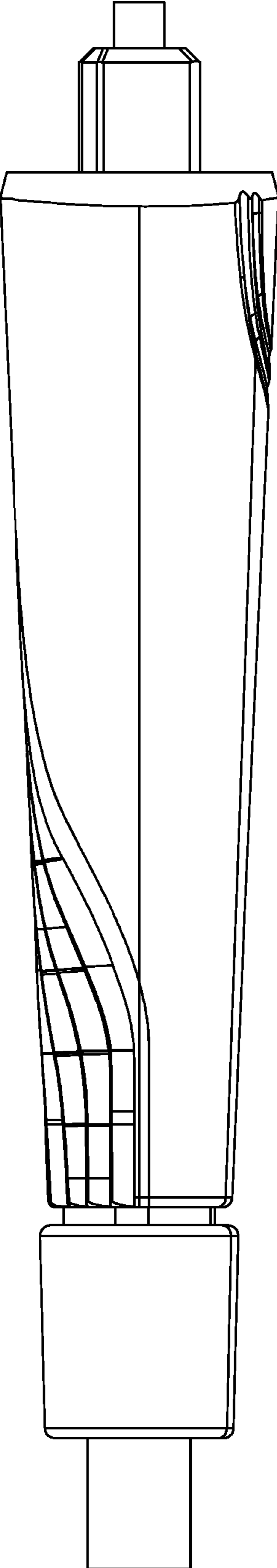


FIG. 1

FIG. 2



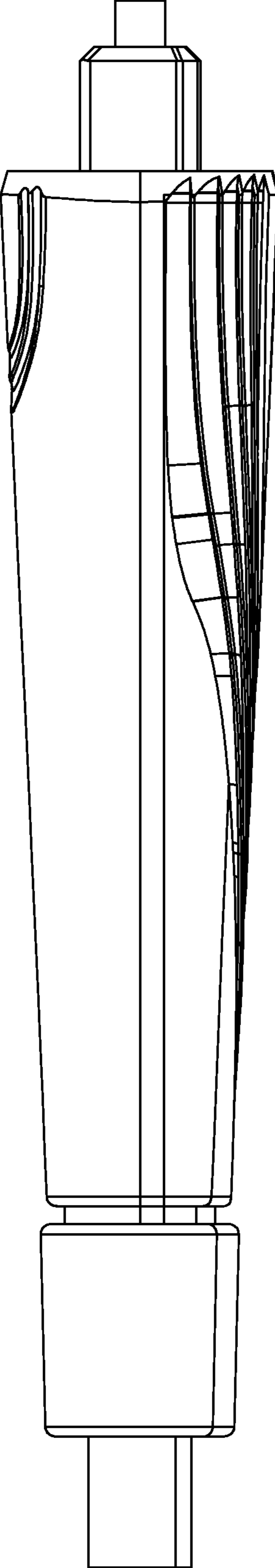


FIG. 3

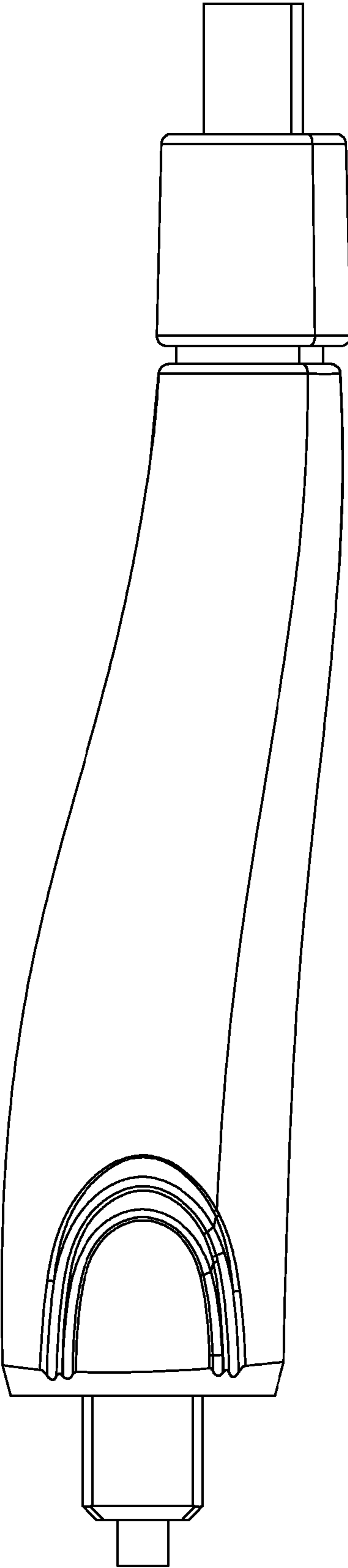


FIG. 4

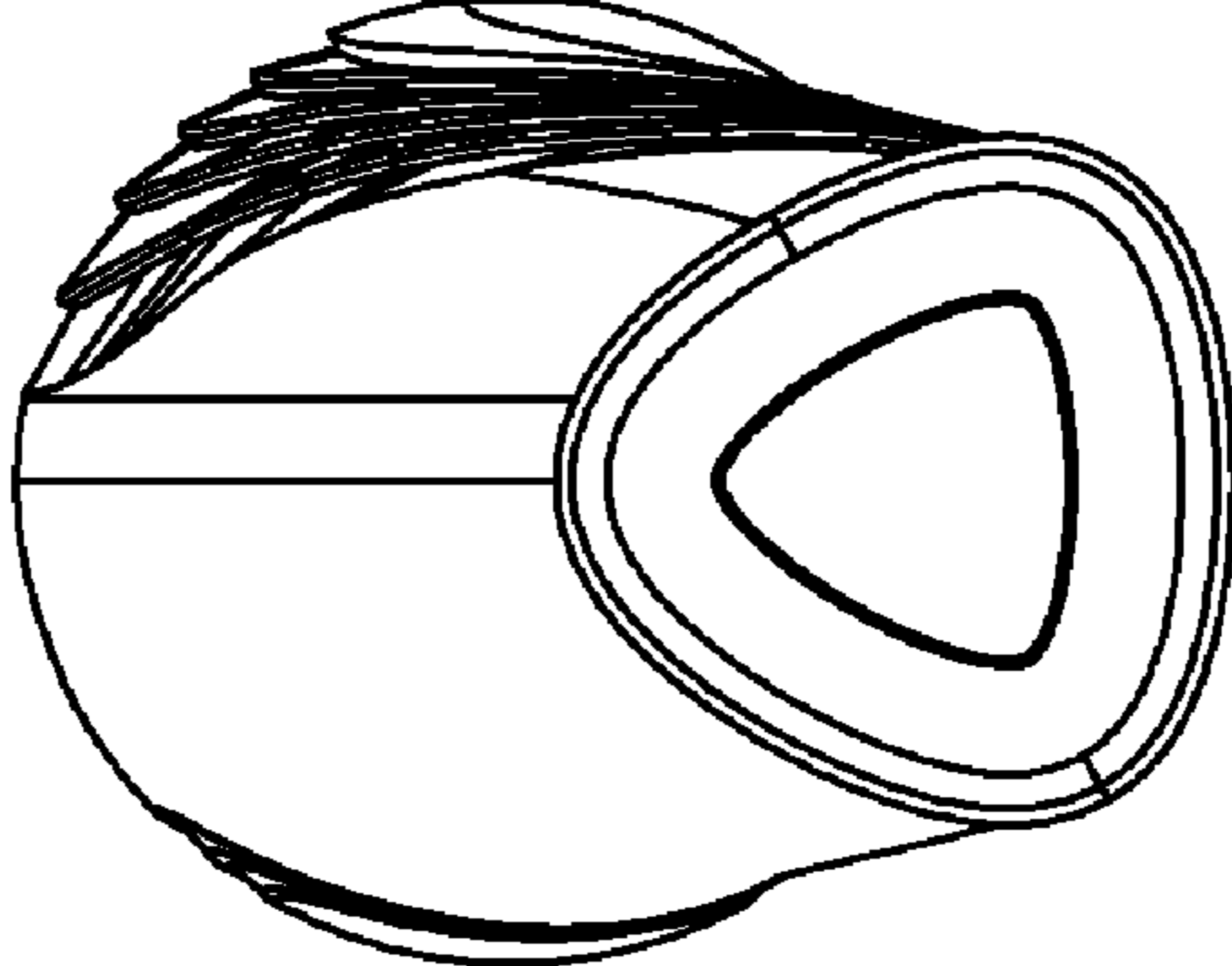


FIG. 6

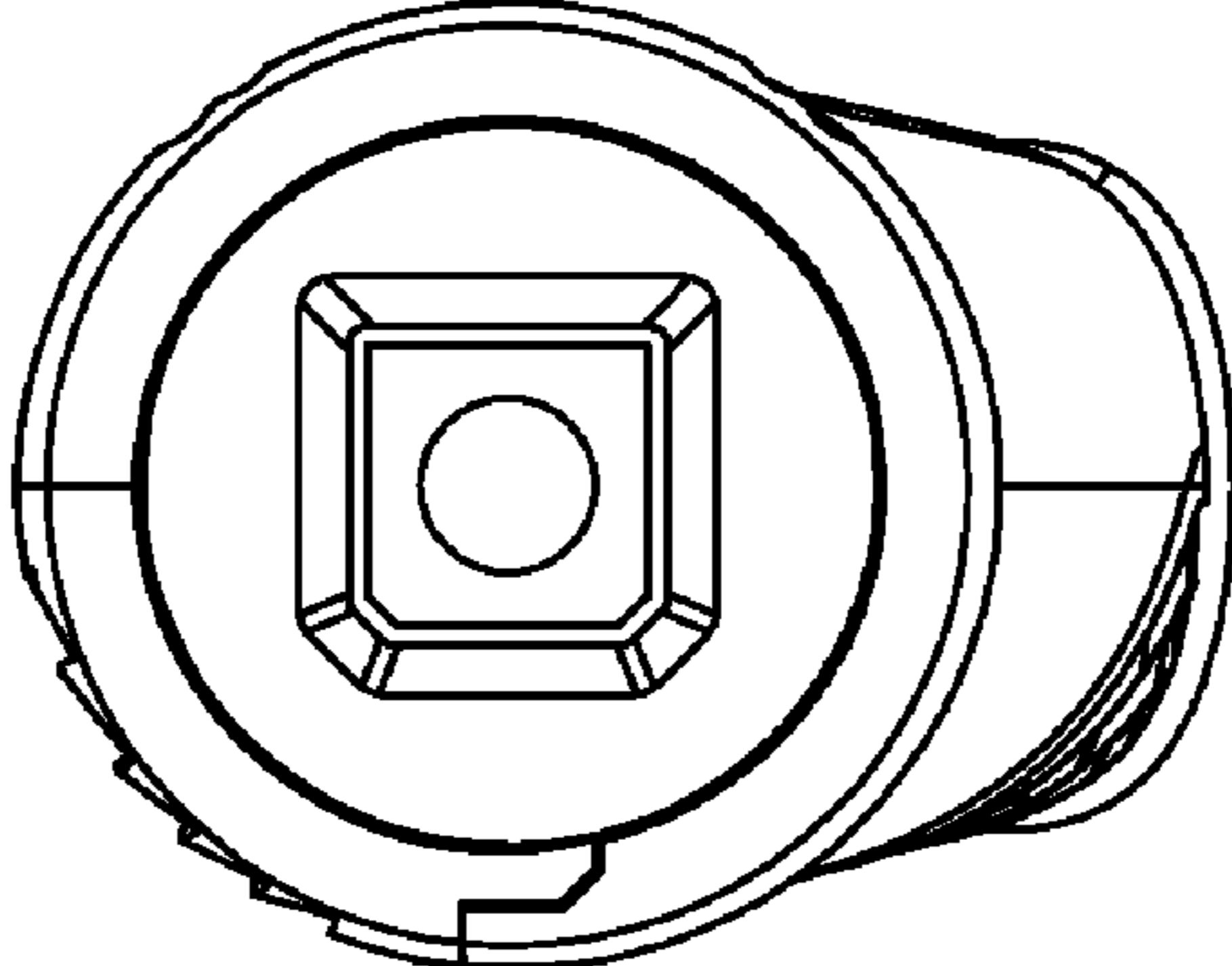


FIG. 5

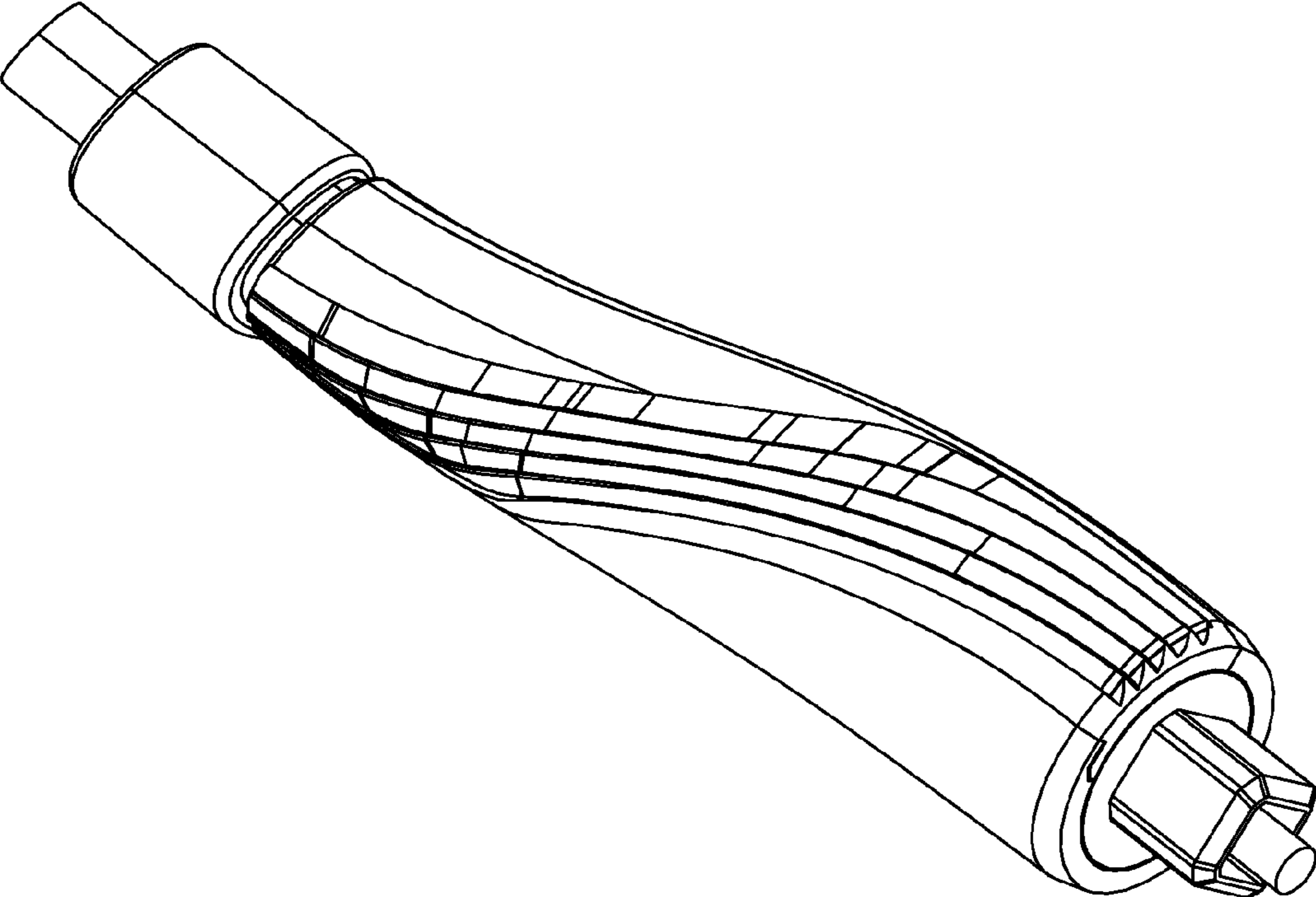


FIG. 7