



US00D587649S

(12) **United States Design Patent**  
**Gudewer**

(10) **Patent No.:** **US D587,649 S**  
(45) **Date of Patent:** **\*\* Mar. 3, 2009**

(54) **NACELLE FOR A WIND TURBINE**

(75) Inventor: **Wilko Gudewer**, Norden (DE)

(73) Assignee: **Aloys Wobben**, Aurich (DE)

(\*\*) Term: **14 Years**

(21) Appl. No.: **29/302,693**

(22) Filed: **Jan. 22, 2008**

(30) **Foreign Application Priority Data**

Jul. 23, 2007 (EM) ..... 000762729

(51) **LOC (9) Cl.** ..... **13-01**

(52) **U.S. Cl.** ..... **D13/115**

(58) **Field of Classification Search** ..... D13/115,  
D13/101, 199; D15/199; 52/40; 244/130;  
415/4.5, 12, 14, 916; 416/37, 38, 132 B,  
416/158

See application file for complete search history.

(56) **References Cited**

**U.S. PATENT DOCUMENTS**

D252,572 S	8/1979	Hanson	
D271,303 S	11/1983	Ovelmen	
4,449,682 A *	5/1984	Gratzer et al.	244/130
4,692,095 A	9/1987	Lawson-Tancred	
5,320,491 A	6/1994	Coleman et al.	
5,354,175 A	10/1994	Coleman et al.	
5,653,406 A *	8/1997	Amano et al.	244/130
6,270,308 B1	8/2001	Groppel	
D480,360 S	10/2003	Bayly	
6,830,436 B2 *	12/2004	Shibata et al.	416/228
D517,986 S *	3/2006	Wobben	D13/115
2002/0153728 A1	10/2002	Groppel	
2003/0123973 A1	7/2003	Murakami	
2004/0057828 A1	3/2004	Bosche	
2004/0201220 A1	10/2004	Andersen et al.	
2005/0072067 A1 *	4/2005	Wobben	52/155

**FOREIGN PATENT DOCUMENTS**

DE 40109165.1 10/2001

**OTHER PUBLICATIONS**

“S70/1500kW Perfekte Technologie für jeden Standort.” Nordex, Feb. 2002, brochure, 6 pages.

“S70/1500kW The perfect technology for each location.” Nordex, Feb. 2002, brochure, 6 pages.

“N50/800kW Leading technology for first-class outputs.” Nordex, Feb. 2002, brochure, 6 pages.

“N80/2500kW Mit Hochstleistung in die Zukunft,” Nordex, Feb. 2002, brochure, 6 pages.

“Elements Special Dewind magazine,” DeWind Magazine, Aug. 2002, 48 pages.

“Dehn schützt Windenergieanlagen. Dehn protects Wind Turbines.” Dehn+Sohne, brochure, 2002, 10 pages.

Hau, Erich, “Windkraftanlagen,” Grundlagen, Technik, Einsatz, Wirtschaftlichkeit, 1988 and 1996, Springer-Verlag Berlin Heidelberg, Germany, pp. 8-9, 26-28, 31, 38-39, 48-49, 51, 511-515, 579-580, 600.

“Image: Enercon E-30 Aurich Okt 2004.PNG,” retrieved Aug. 11, 2008, [http://commons.wikimedia.org/wiki/Image:Enercon\\_E-30\\_Aurich\\_Okt\\_2004.PNG](http://commons.wikimedia.org/wiki/Image:Enercon_E-30_Aurich_Okt_2004.PNG), 3 pages.

(Continued)

*Primary Examiner*—Prabhakar Deshmukh

*Assistant Examiner*—Derrick Holland

(74) *Attorney, Agent, or Firm*—Seed IP Law Group PLLC

(57) **CLAIM**

The ornamental design for a nacelle for a wind turbine, as shown and described.

**DESCRIPTION**

FIG. 1 is a front right perspective view of a nacelle for a wind turbine, showing my new design;

FIG. 2 is a left side view thereof;

FIG. 3 is a top plan view thereof;

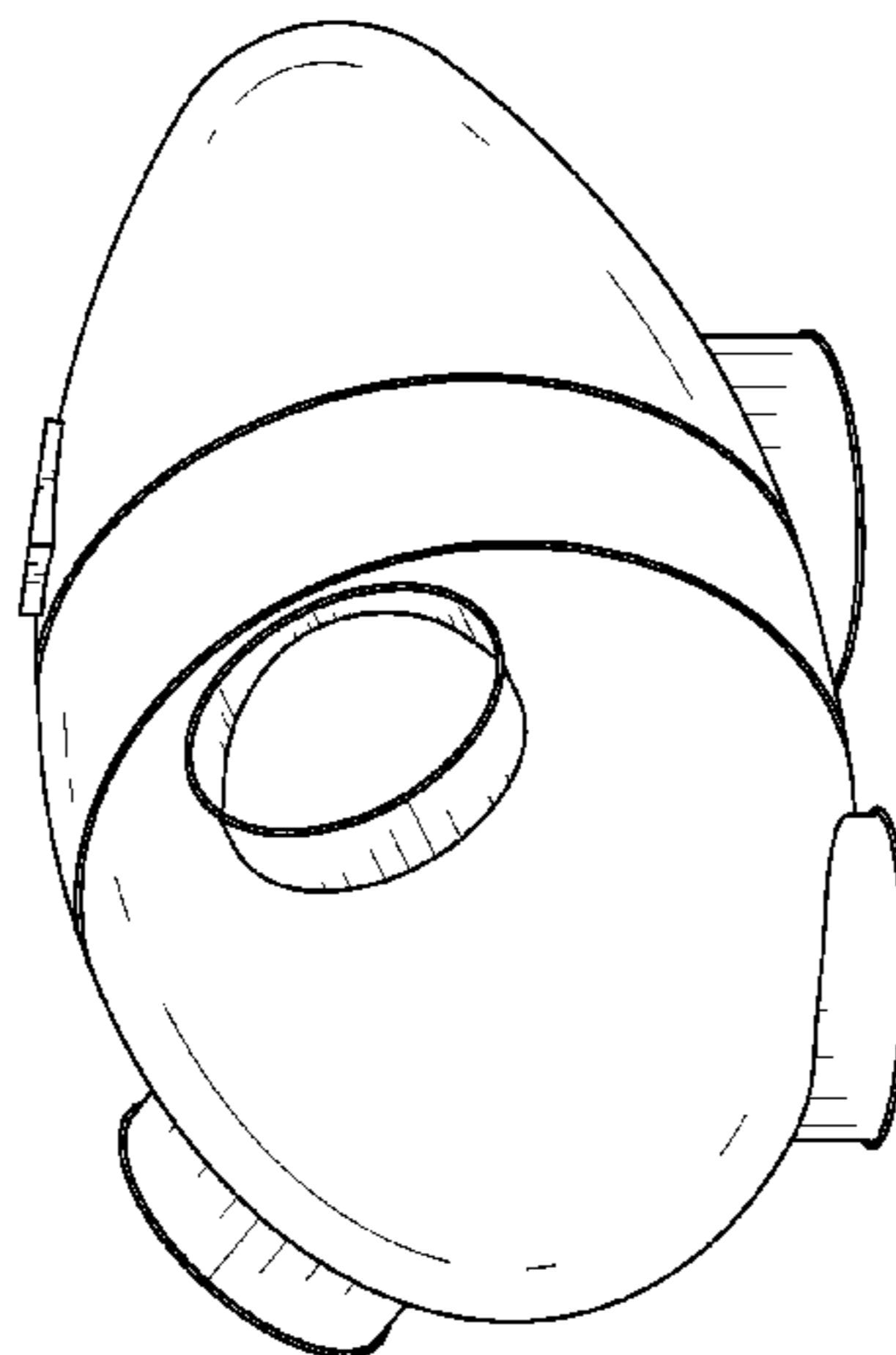
FIG. 4 is a right side view thereof;

FIG. 5 is a bottom plan view thereof;

FIG. 6 is a front view thereof; and,

FIG. 7 is a rear view thereof.

**1 Claim, 7 Drawing Sheets**



OTHER PUBLICATIONS

"Image: E-112 Egel\_n feb2005.jpg," retrieved Aug. 11, 2008, [http://commons.wikimedia.org/wiki/Image:E-112\\_Egel\\_n\\_feb2005.jpg](http://commons.wikimedia.org/wiki/Image:E-112_Egel_n_feb2005.jpg), 3 pages.

"E-53," retrieved Aug. 11, 2008, [http://www.enercon.de/www/en/e53\\_nsf/04CA674831391E59C1256E89002FE760/3CDB...](http://www.enercon.de/www/en/e53_nsf/04CA674831391E59C1256E89002FE760/3CDB...), 1 page.

Australian Search Report dated Jul. 15, 2008, regarding Australian Design Registration No. 319026 in the name of Aloys Wobben, 2 pages.

"GE Wind Energy 3.6 Offshore Multi-Megawatt Wind Turbine," GE Wind Energy, brochure, 20 pages, Mar. 2003.

"Erosionsschutzfolie für Windenergieanlagen 3M Polyurethanfilm 8671," 3M Innovation, leaflet, 2 pages, Mar. 2003.

"Powering A Greener Tomorrow," Suzlon, brochure, 11 pages, Mar. 2003.

"Suzlon Wind Park Power Powering a Greener Tomorrow," Suzlon, brochure, 11 pages, Mar. 2003.

"Suzlon Megapower Series," Suzlon, brochure, 27 pages, Mar. 2003.

"Suzlon 1000kW Megapower Powering a Greener Tomorrow," Suzlon, brochure, 4 pages, Mar. 2003.

"[Optimaler Auftrieb in jedem Klima] [NM54/950 Power-Trim]," N-E-G Micon, brochure, 5 pages, Mar. 2003.

"WindMan Express [Kontroll-und Überwachungssysteme für kleinere Windenergieanlagen] [Die Verbindung zu Ihrer Windturbine]," N-E-G Micon, brochure, 4 pages, Mar. 2003.

"Komponenten, Netzinfrastrukturen und Managed Services für Windparks," RWE Solutions, brochure, 20 pages, Mar. 2003.

J48 Innovative wind turbine, Jeumont Framatome ANP, brochure, 6 pages, Mar. 2003.

"Vibration engineering," Scanvib, 1 page, Mar. 2003.

"A10 New Concept Wind Power Generator," Luso, 1 page, Mar. 2003.

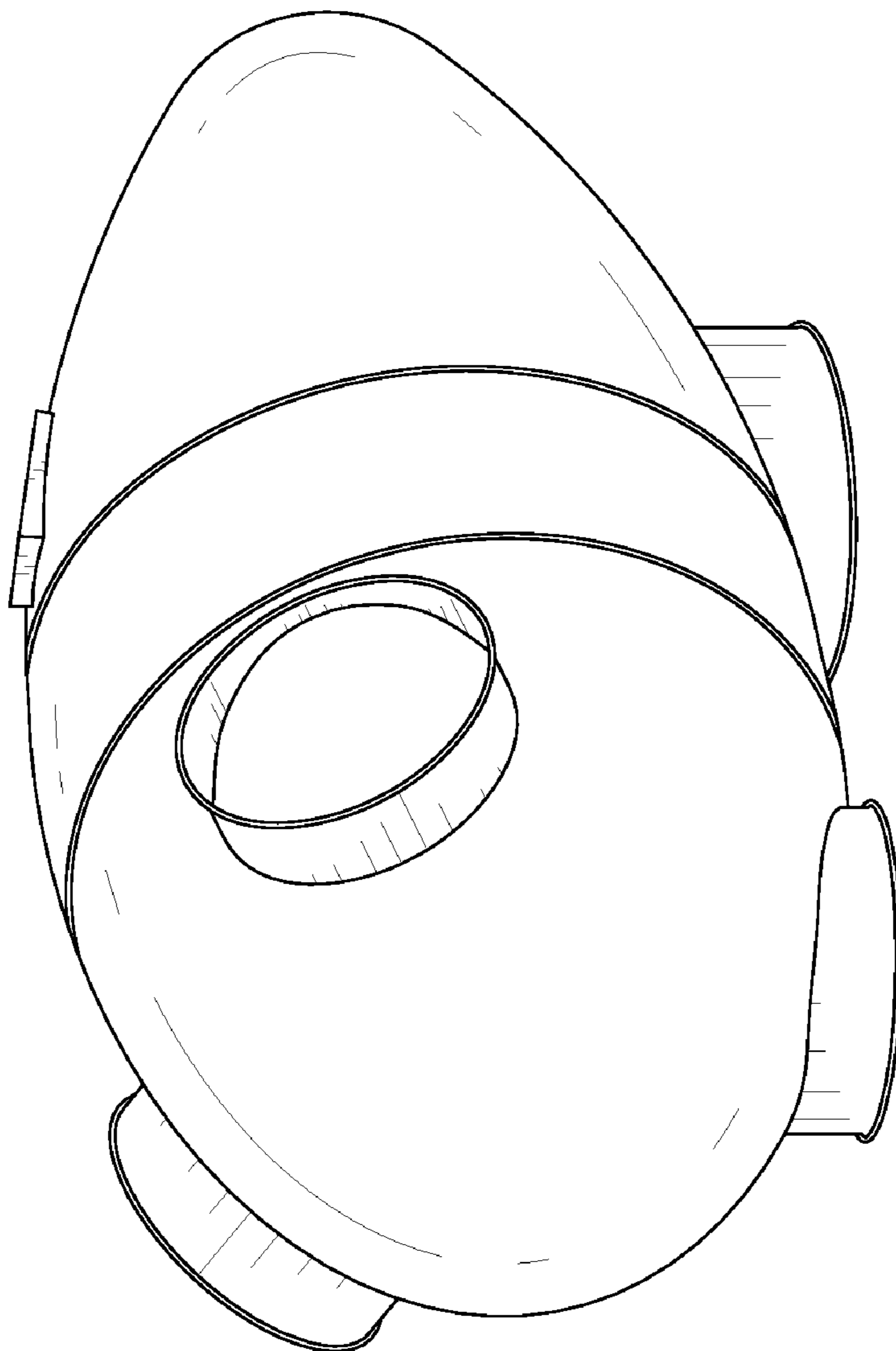
Enercon, Dewind, Lagerwey and Suzlon, brochure, 2 pages, Mar. 2003.

Design Examination Report No. 1, Issued by Australian Patent Office on Jul. 15, 2008, in re AU Patent No. 319027, 2 pages.

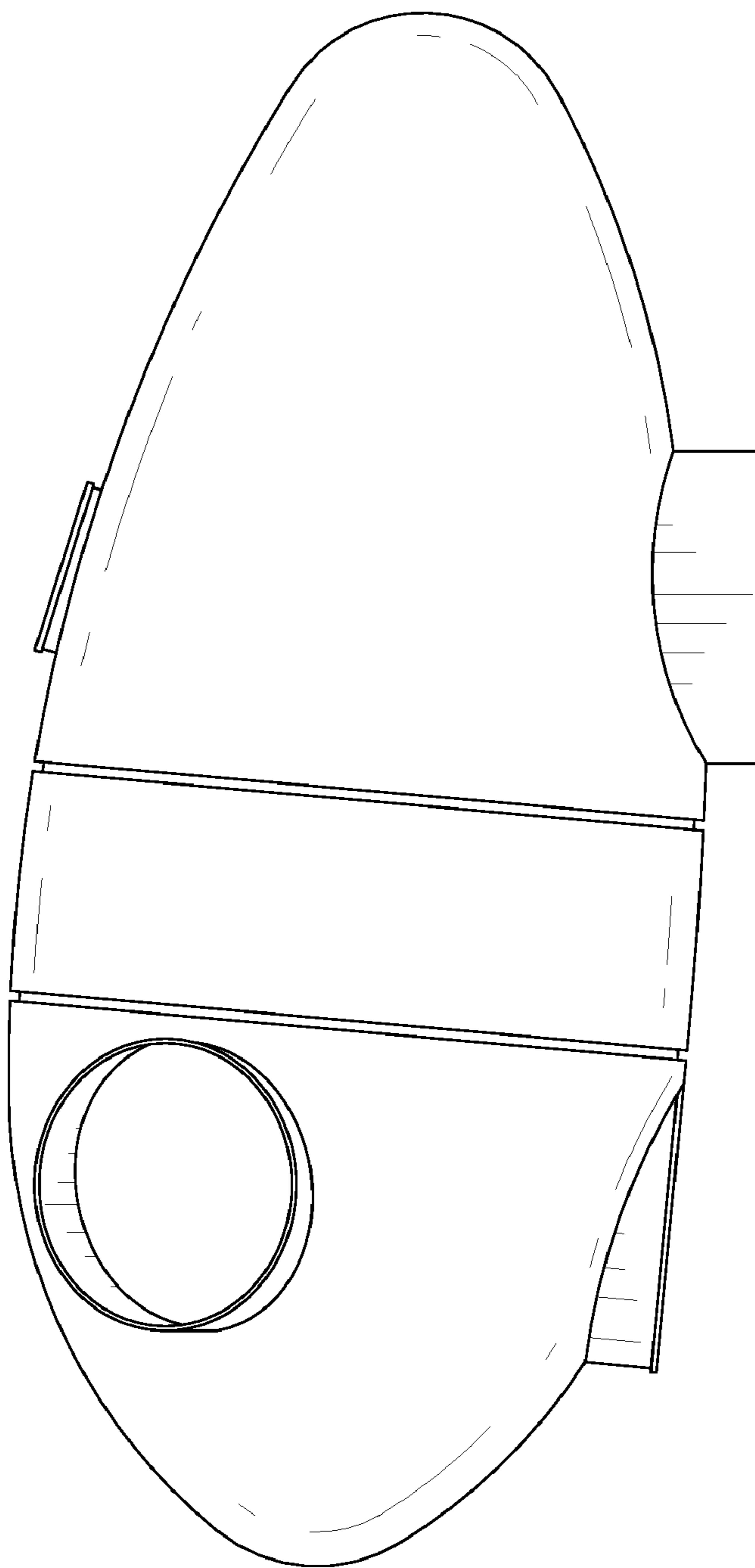
Wind Turbine, retrieved Sep. 26, 2008, <http://www.flickr.com/photos/hddod/141018303>, 2 pages.

enercon\_e0070, retrieved Sep. 26, 2008, <http://www.flickr.com/photos/jeroen8/244414019>, 1 page.

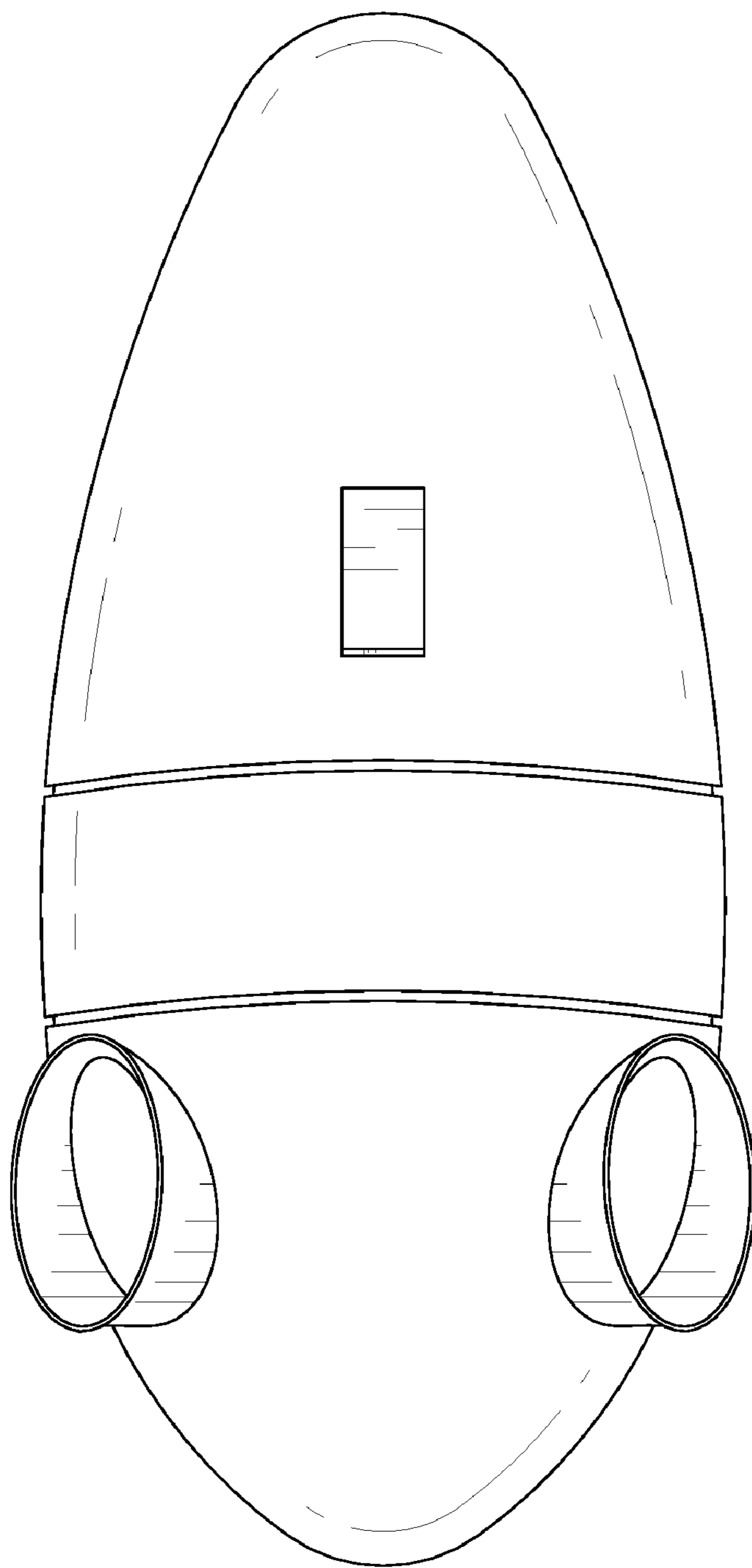
\* cited by examiner



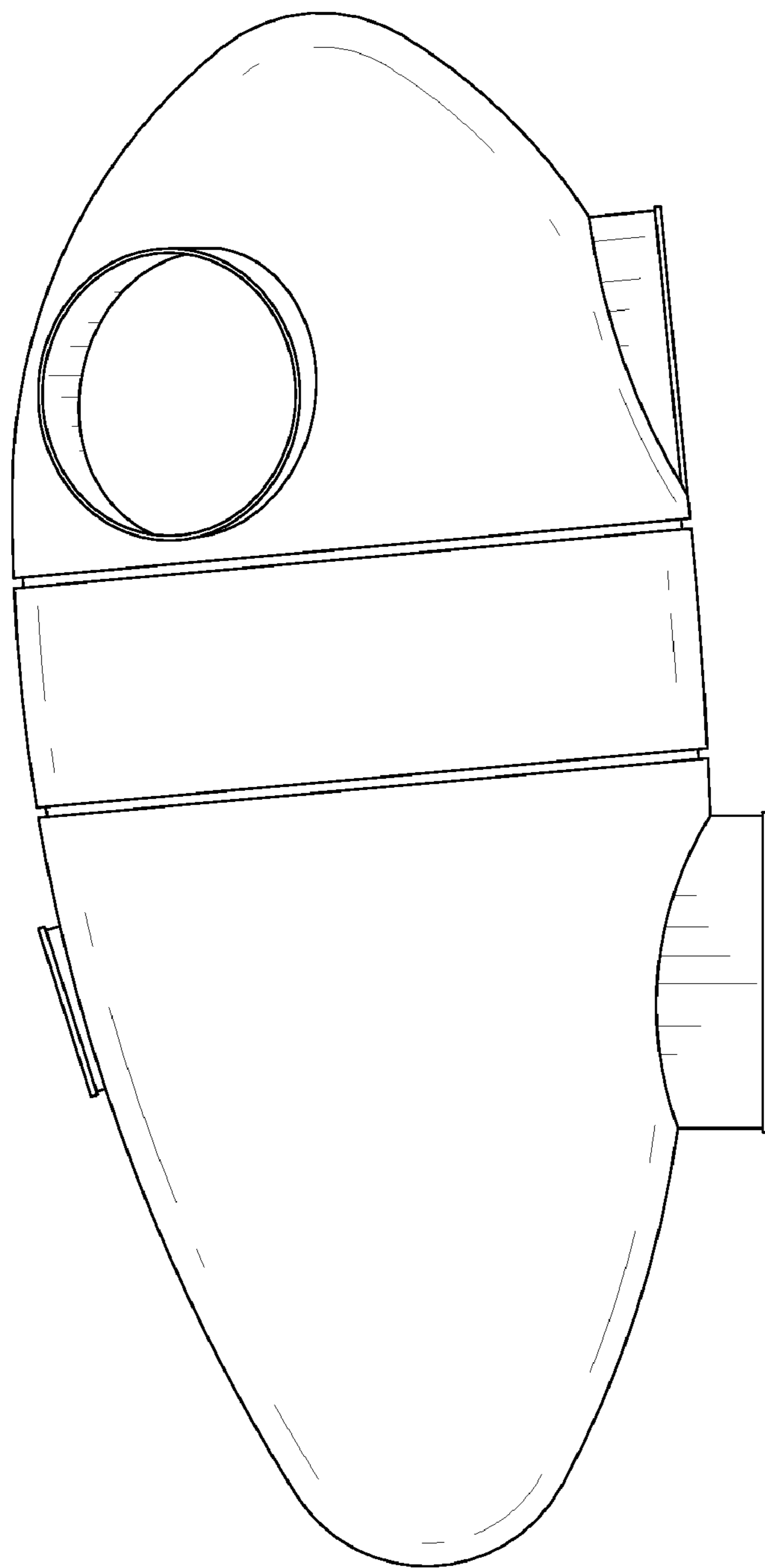
*FIG. 1*



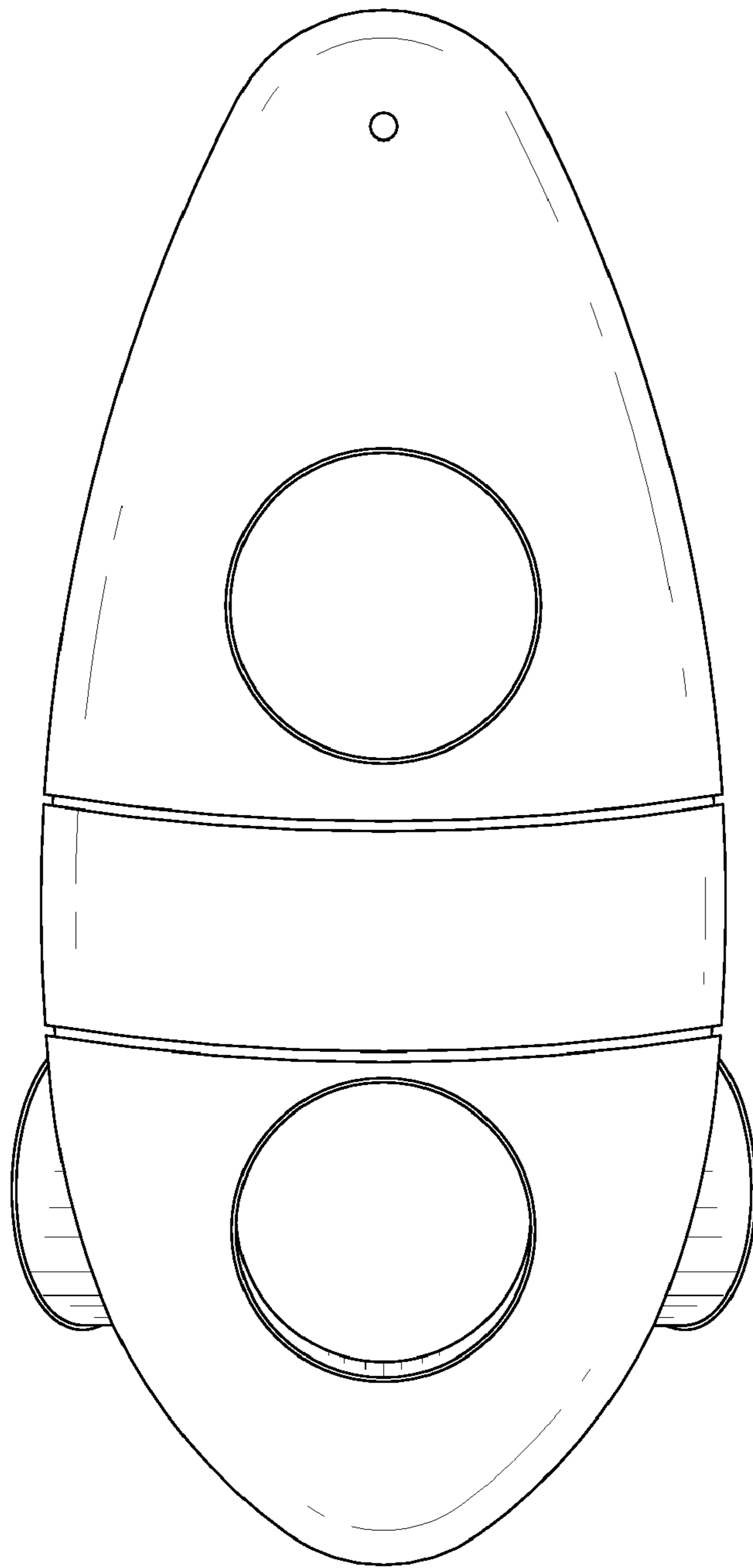
*FIG. 2*



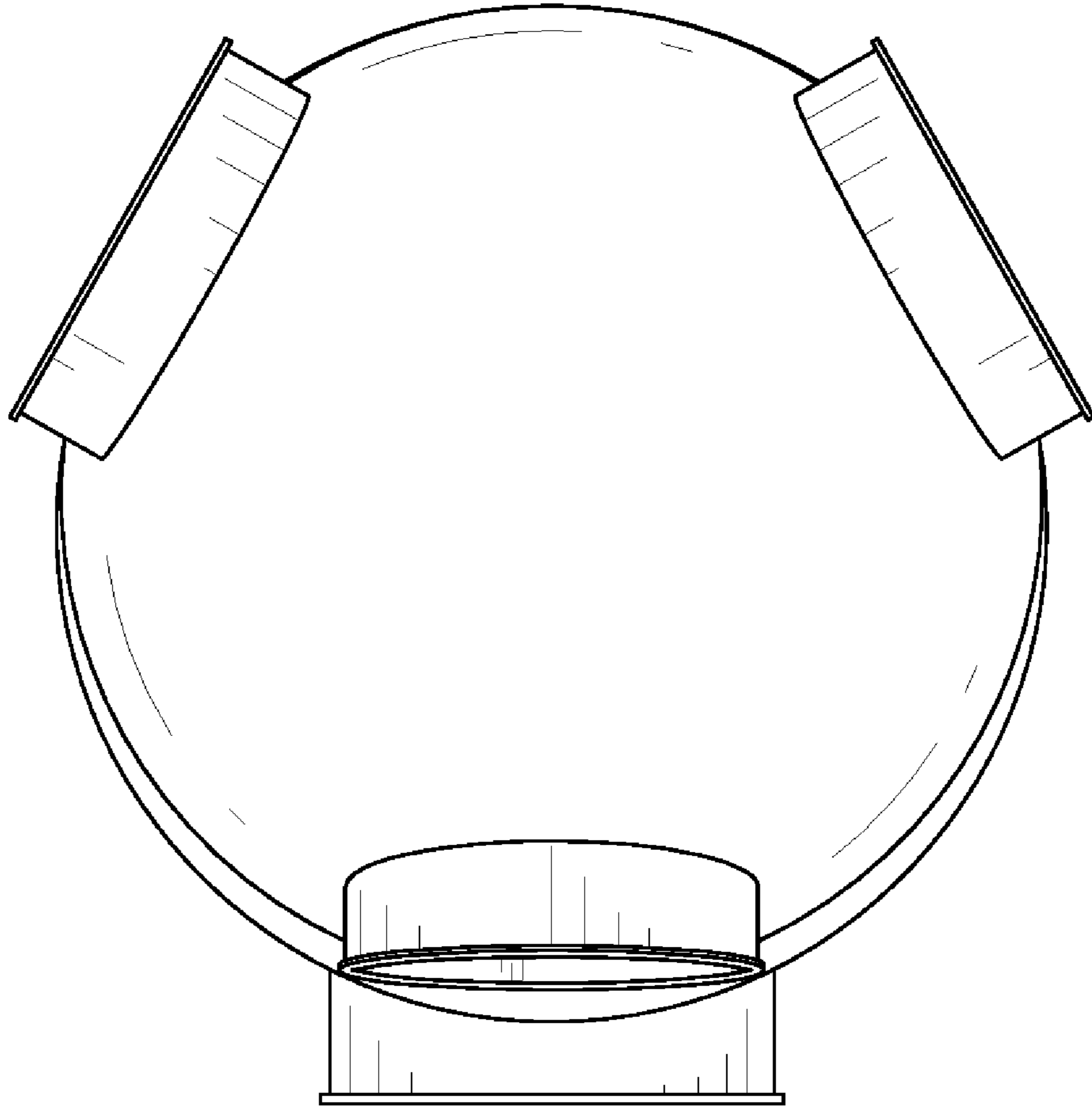
*FIG. 3*



*FIG. 4*

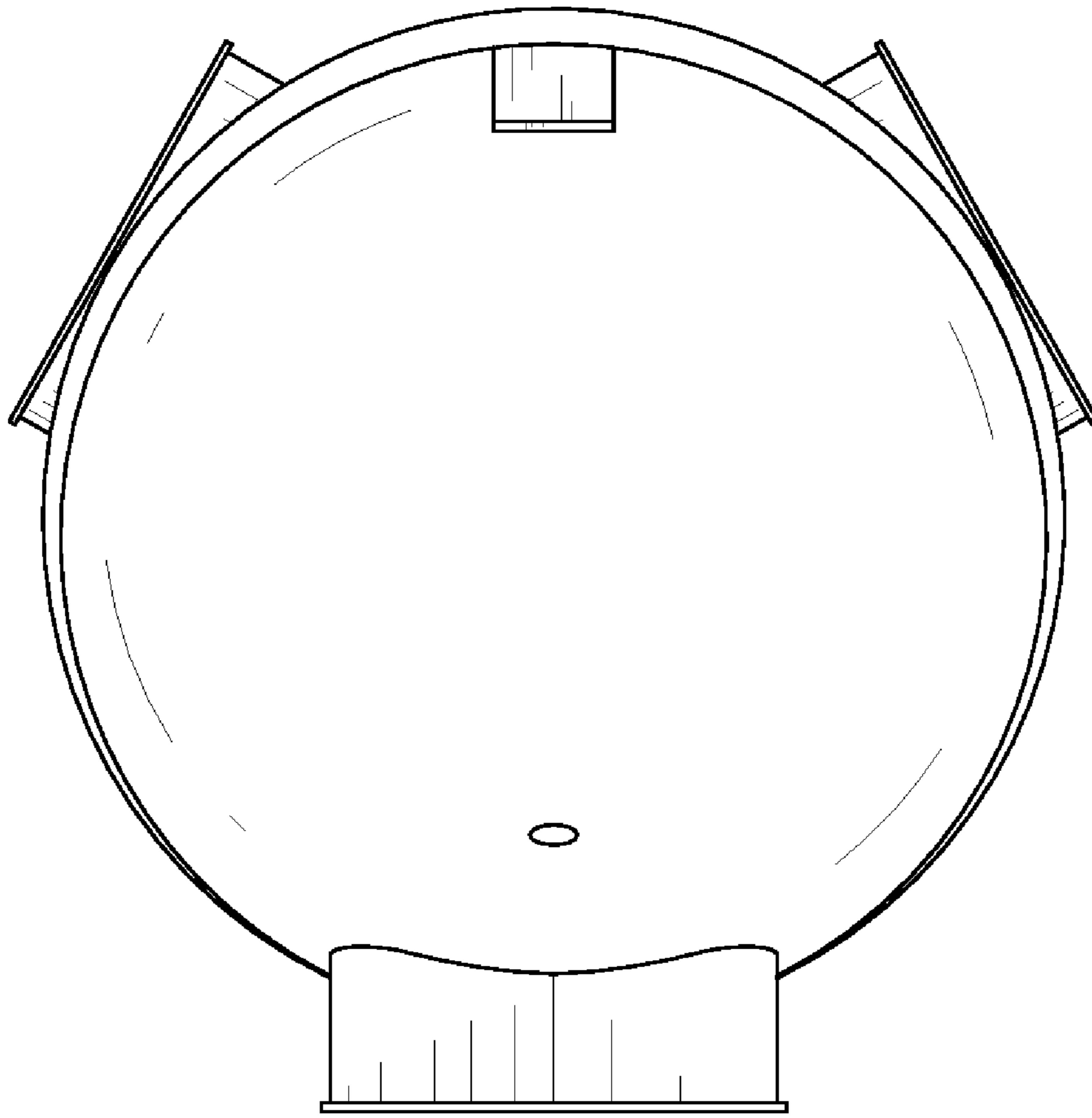


*FIG. 5*



*FIG. 6*





*FIG. 7*