



US00D587646S

(12) **United States Design Patent**
Ushijima et al.

(10) **Patent No.:** **US D587,646 S**
(45) **Date of Patent:** **** Mar. 3, 2009**

(54) **BATTERY**

(75) Inventors: **Osamu Ushijima**, Kyoto (JP); **Hideki Masuda**, Kyoto (JP); **Takahiro Shizuki**, Kyoto (JP); **Yoshitaka Ishida**, Kyoto (JP); **Junya Ueda**, Kyoto (JP); **Hiroshi Mukai**, Kyoto (JP); **Takuji Uchibori**, Kyoto (JP); **Noriyoshi Munenaga**, Kyoto (JP)

(73) Assignee: **GS Yuasa Corporation**, Kyoto-shi (JP)

(**) Term: **14 Years**

(21) Appl. No.: **29/294,821**

(22) Filed: **Jan. 29, 2008**

(51) **LOC (9) Cl.** **13-02**

(52) **U.S. Cl.** **D13/103**

(58) **Field of Classification Search** D13/102–106,
D13/110, 118–119, 184; 429/96–100, 163,
429/176

See application file for complete search history.

(56) **References Cited**

U.S. PATENT DOCUMENTS

4,131,723	A *	12/1978	Dalibard et al.	429/81
D292,913	S *	11/1987	Shaper	D13/103
5,800,945	A *	9/1998	Grivel et al.	429/176
6,447,949	B2 *	9/2002	Iwata et al.	429/185
D466,499	S *	12/2002	Nakano	D13/110

6,602,637	B1 *	8/2003	Kurasawa et al.	429/176
D548,684	S *	8/2007	Eto et al.	D13/103
D548,685	S *	8/2007	Eto et al.	D13/103
2003/0044679	A1 *	3/2003	Hirano et al.	429/176
2003/0129487	A1 *	7/2003	Inoue et al.	429/176
2004/0191612	A1 *	9/2004	Akita et al.	429/94
2005/0233206	A1 *	10/2005	Puttaiah et al.	429/120
2006/0063067	A1 *	3/2006	Kim	429/148

* cited by examiner

Primary Examiner—Jennifer Rivard

Assistant Examiner—Rosemary K Tarcza

(74) *Attorney, Agent, or Firm*—Jordan and Hamburg LLP

(57) **CLAIM**

The ornamental design for a battery, as shown and described.

DESCRIPTION

FIG. 1 is a front perspective view of a battery showing our new design;

FIG. 2 is a top view thereof;

FIG. 3 is a front view thereof;

FIG. 4 is a bottom view thereof;

FIG. 5 is a back view thereof;

FIG. 6 is a right side view thereof;

FIG. 7 is a left side view thereof; and,

FIG. 8 is a sectional view taken along line 8—8 of FIG. 2.

1 Claim, 5 Drawing Sheets

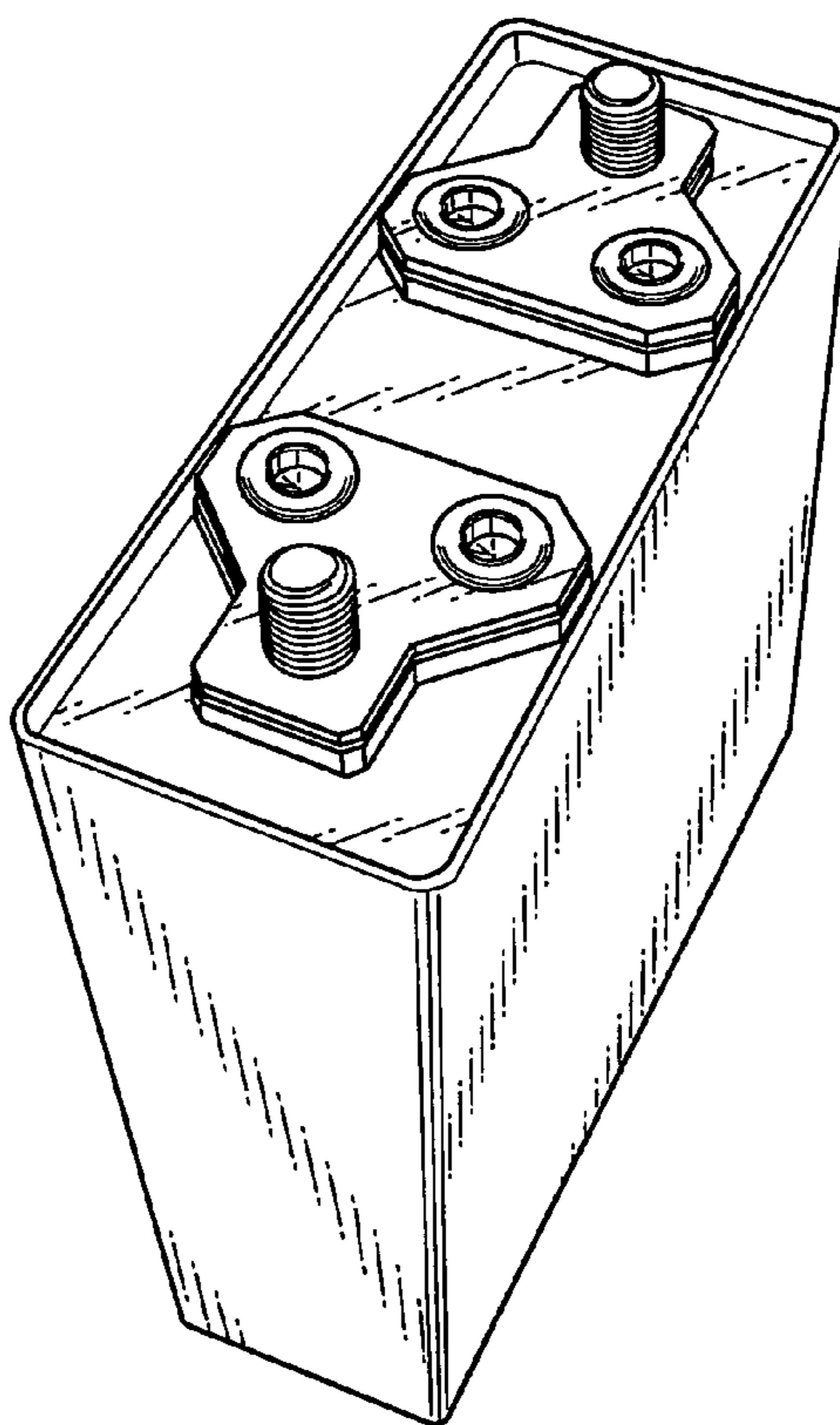


Fig. 1

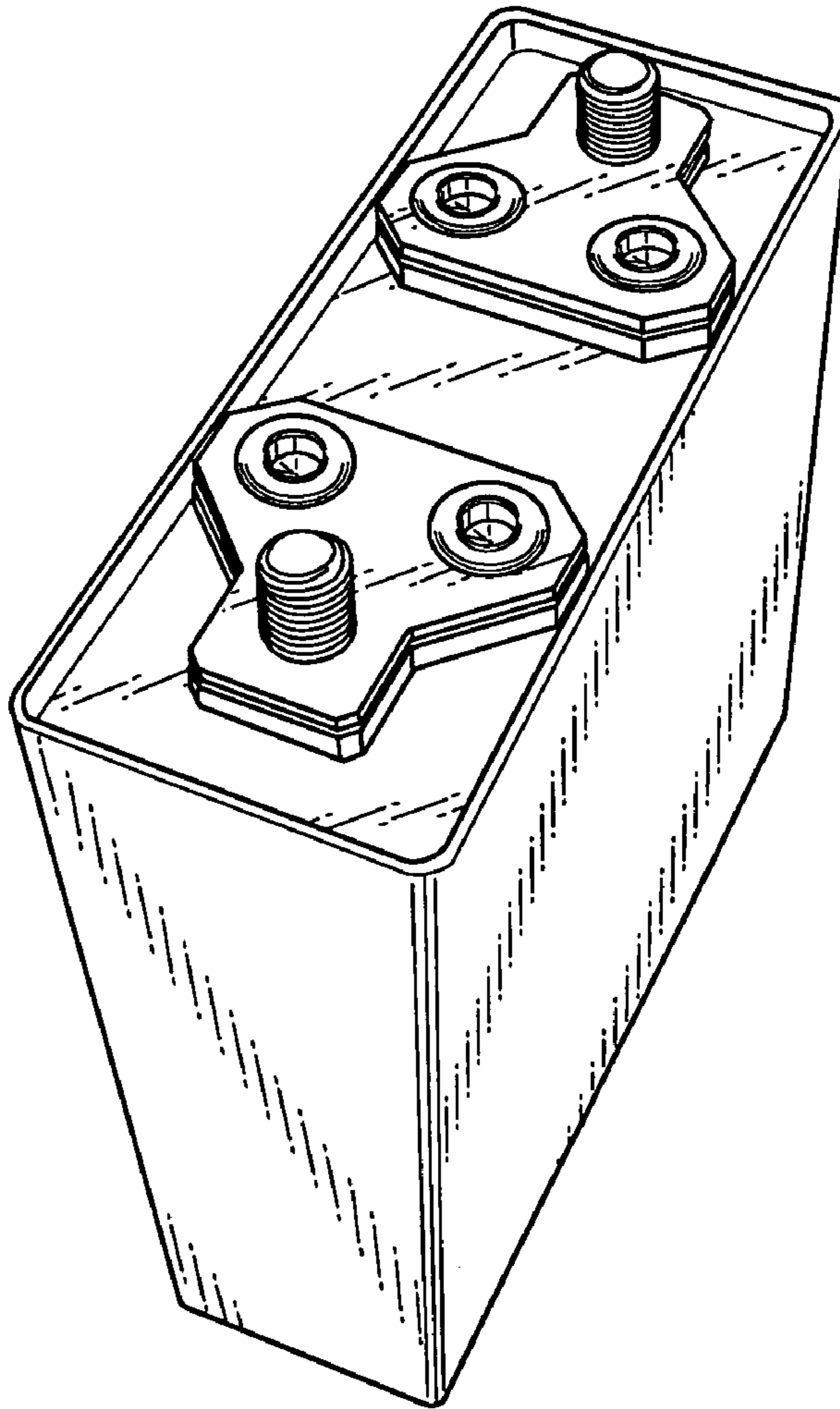


Fig. 2

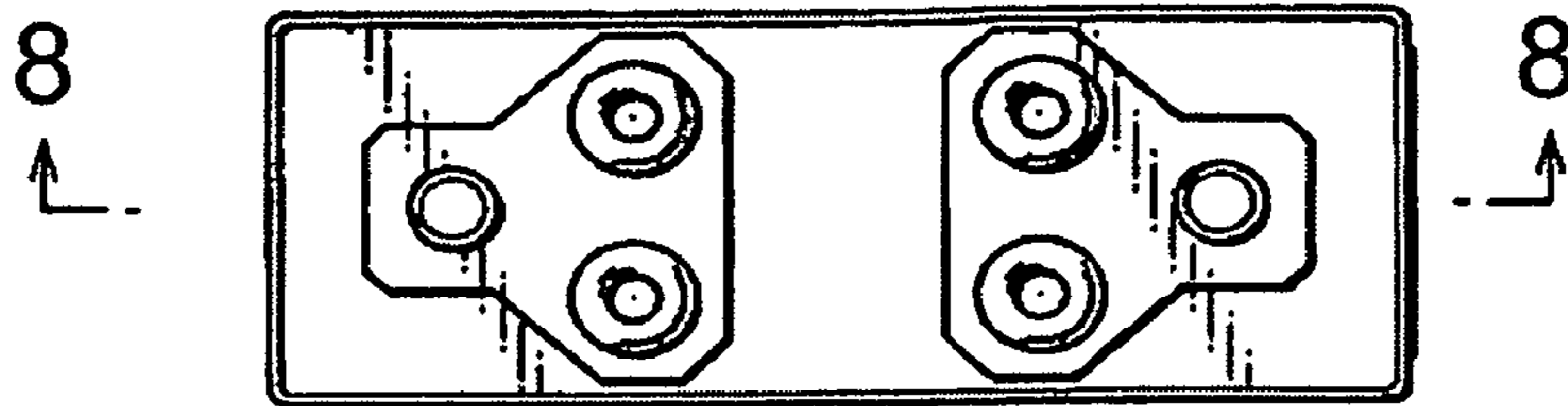


Fig. 3

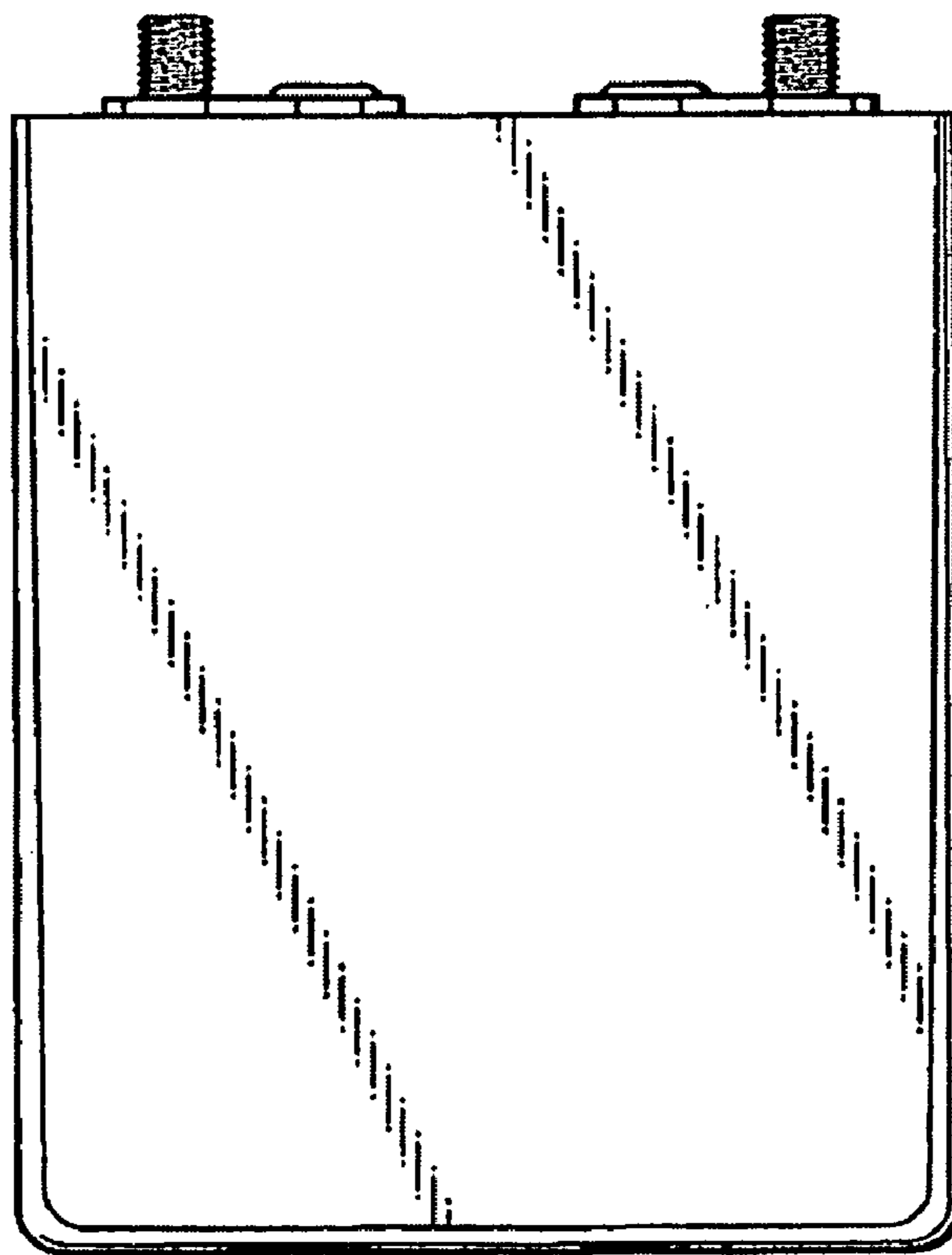


Fig. 4

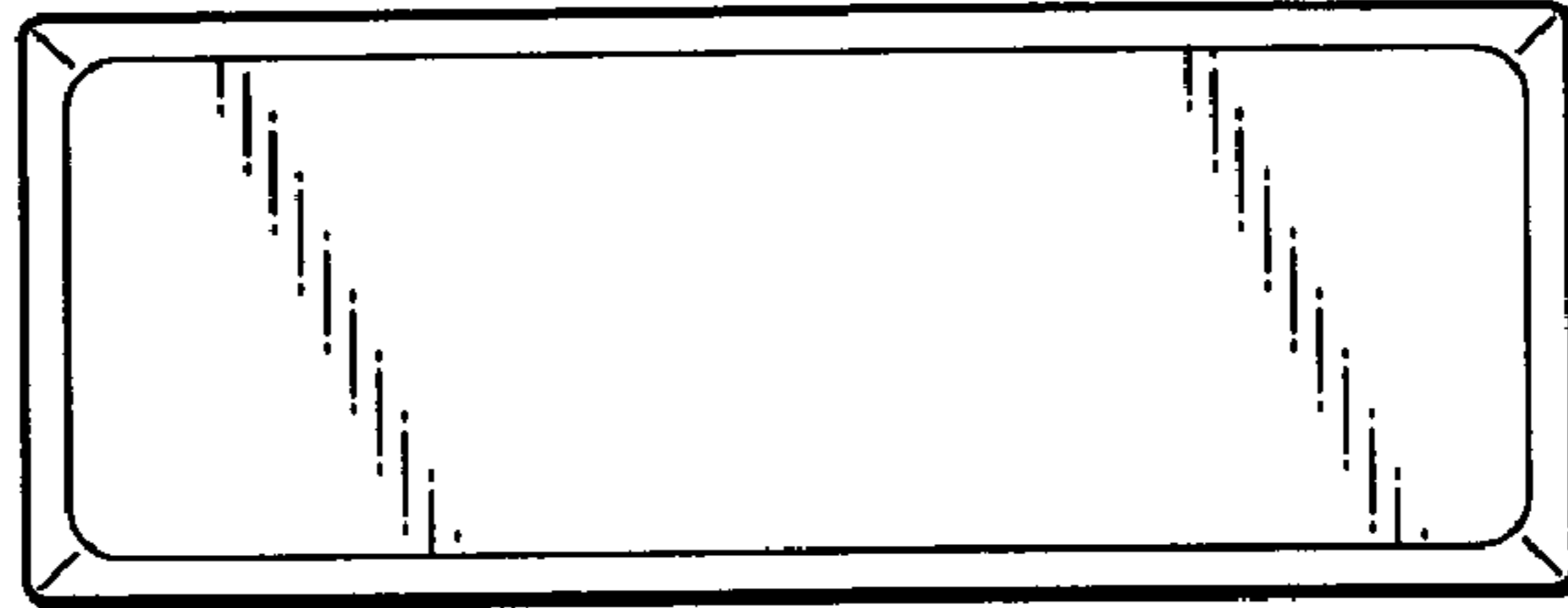


Fig. 5

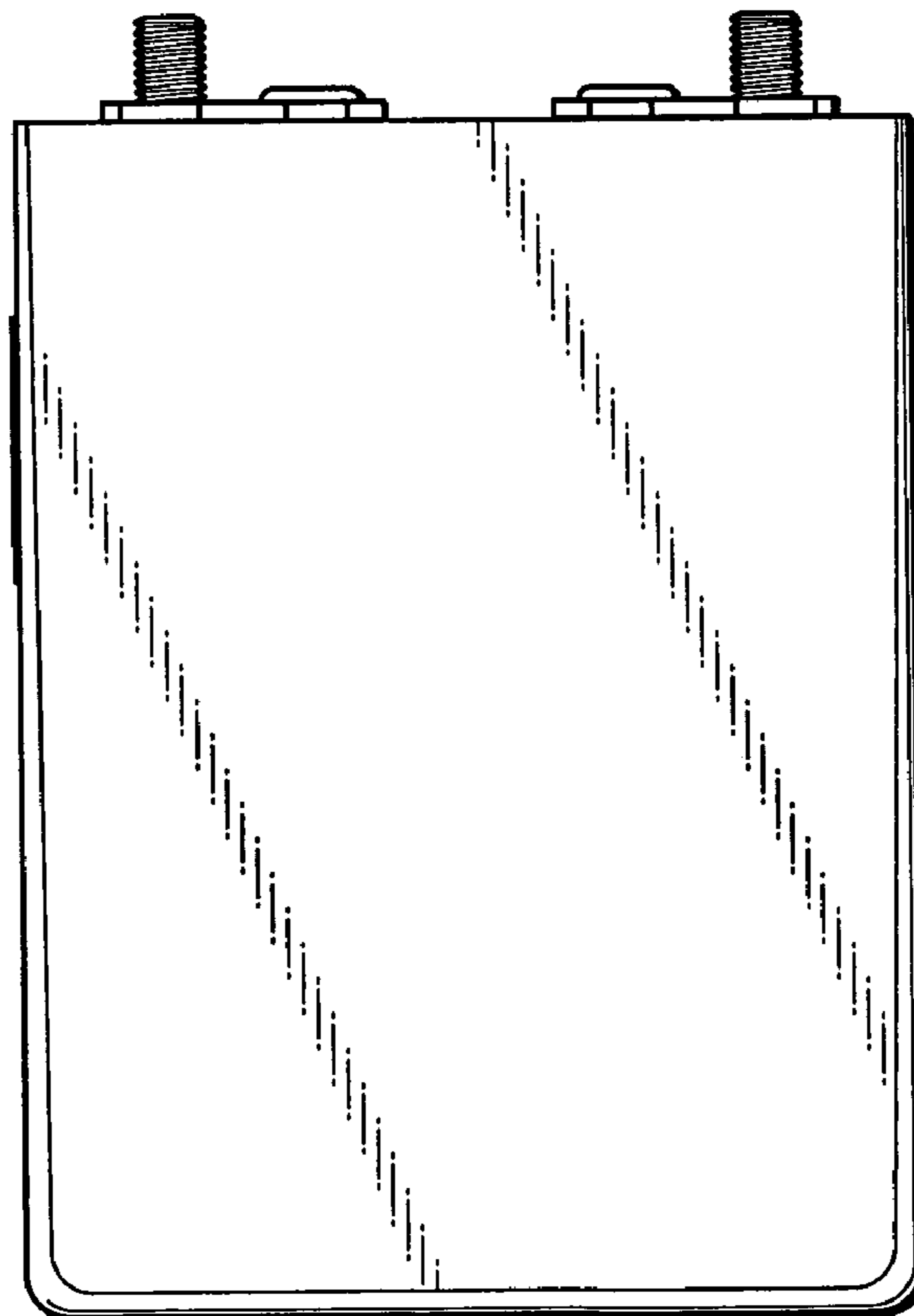


Fig. 6

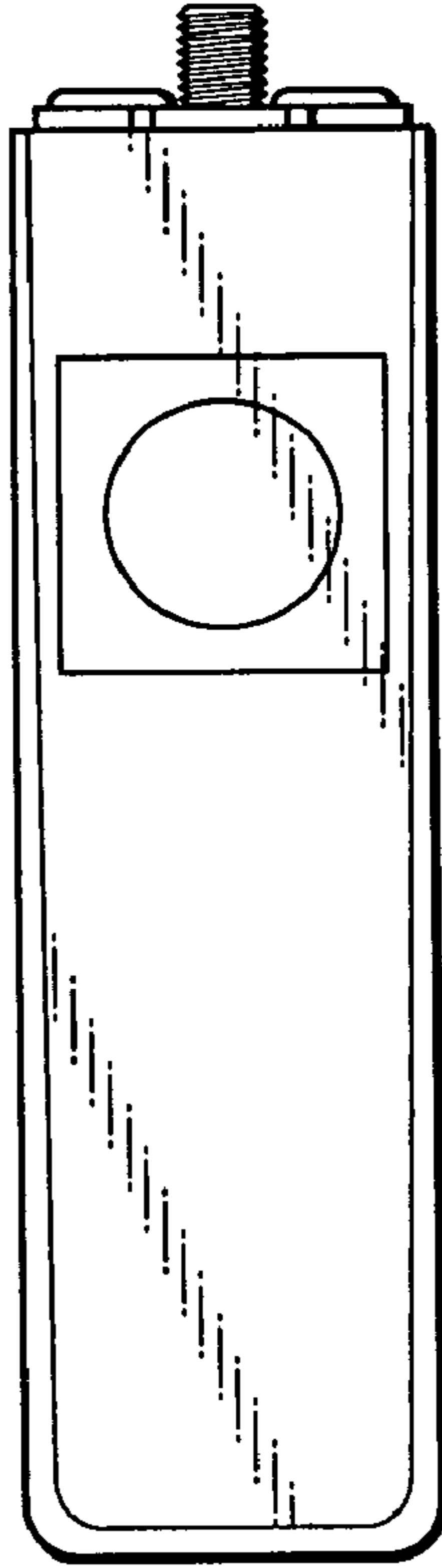


Fig. 7

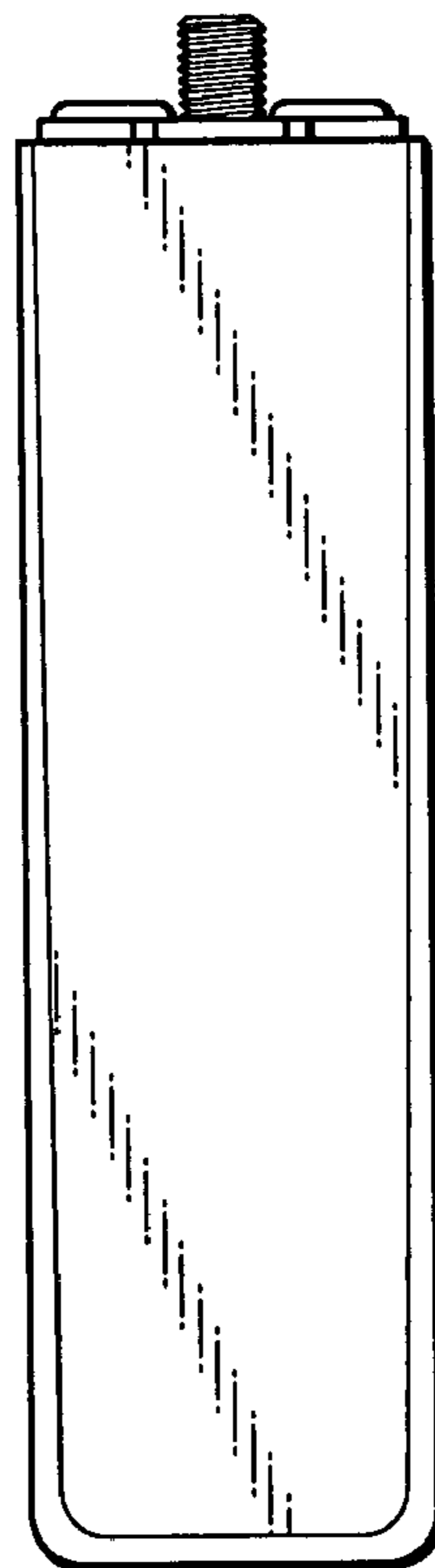


Fig. 8

