



US00D587644S

(12) **United States Design Patent**  
**Cord et al.**

(10) **Patent No.:** **US D587,644 S**  
(45) **Date of Patent:** **\*\* Mar. 3, 2009**

(54) **TRUNK ORGANIZER**

(75) Inventors: **William H. Cord**, Corona Del Mar, CA (US); **Robert Crandall**, Yorba Linda, CA (US); **Dany G. Smith**, Grand Prairie, TX (US)

(73) Assignee: **Cord Automotive International, Inc.**, Anaheim, CA (US)

(\*\*) Term: **14 Years**

(21) Appl. No.: **29/307,525**

(22) Filed: **Apr. 23, 2008**

**Related U.S. Application Data**

(60) Continuation-in-part of application No. 29/294,541, filed on Jan. 16, 2008, which is a continuation of application No. 29/289,828, filed on Aug. 2, 2007, now abandoned, which is a division of application No. 29/266,942, filed on Sep. 29, 2006, now Pat. No. Des. 552,533.

(51) **LOC (9) Cl.** ..... **12-16**

(52) **U.S. Cl.** ..... **D12/422**

(58) **Field of Classification Search** ..... D12/407, D12/415-416, 422-424; D3/276, 273-274, D3/284, 289, 301-305, 299, 216; 224/542-543, 224/402-406, 563, 311, 313, 901.8, 925, 224/497, 545, 223, 920; 296/37.1-37.8, 296/37.16; 114/361, 343; 211/201, 12; 206/315.11; 297/228.1

See application file for complete search history.

(56) **References Cited**

**U.S. PATENT DOCUMENTS**

- 1,434,350 A 10/1922 Collins
- 2,573,102 A 10/1951 Hennessy
- 2,577,263 A 12/1951 Myers
- 2,639,068 A 5/1953 Luby et al.
- 3,318,471 A 5/1967 Barr
- 3,473,680 A 10/1969 Downer
- 3,479,085 A \* 11/1969 Weinstein ..... 297/228.1

- 4,260,091 A 4/1981 French et al.
- D267,753 S 2/1983 Urban
- 4,671,556 A 6/1987 Lynas, III
- D293,162 S 12/1987 Carmichael
- 4,832,242 A 5/1989 Leek
- 4,901,899 A 2/1990 Barrett
- D313,695 S 1/1991 Mawhinney et al.
- D325,016 S 3/1992 Moore
- 5,372,289 A 12/1994 Dachicourt
- D354,728 S 1/1995 Shink
- D383,112 S 9/1997 Patterson
- 5,915,777 A 6/1999 Gignac et al.
- D414,741 S 10/1999 Bergh
- D430,534 S 9/2000 Golenz
- D451,882 S 12/2001 Hassett et al.
- 6,327,993 B1 12/2001 Richens, Jr.
- D457,852 S 5/2002 Richter
- D498,585 S 11/2004 Darling
- 6,821,600 B1 11/2004 Henson
- D515,497 S 2/2006 Watson
- 7,000,810 B1 2/2006 Farmer
- D552,533 S 10/2007 Cord
- 2005/0011922 A1 1/2005 Nolle

**FOREIGN PATENT DOCUMENTS**

WO WO 95/27633 10/1995

\* cited by examiner

*Primary Examiner*—Stacia Cadmus

(74) *Attorney, Agent, or Firm*—Thompson & Gustavson LLP

(57) **CLAIM**

The ornamental design for a trunk organizer, as shown and described.

**DESCRIPTION**

FIG. 1 is a perspective view of a first embodiment of a trunk organizer embodying our design, with the first embodiment shown mounted on the inside of the trunk lid of an automobile to show the environment of its use, the trunk lid and automobile forming no part of the present invention;

FIG. 2 is a front view of the first embodiment;

FIG. 3 is a right side view of the first embodiment, the left side view being an identical mirror image of the right side view;

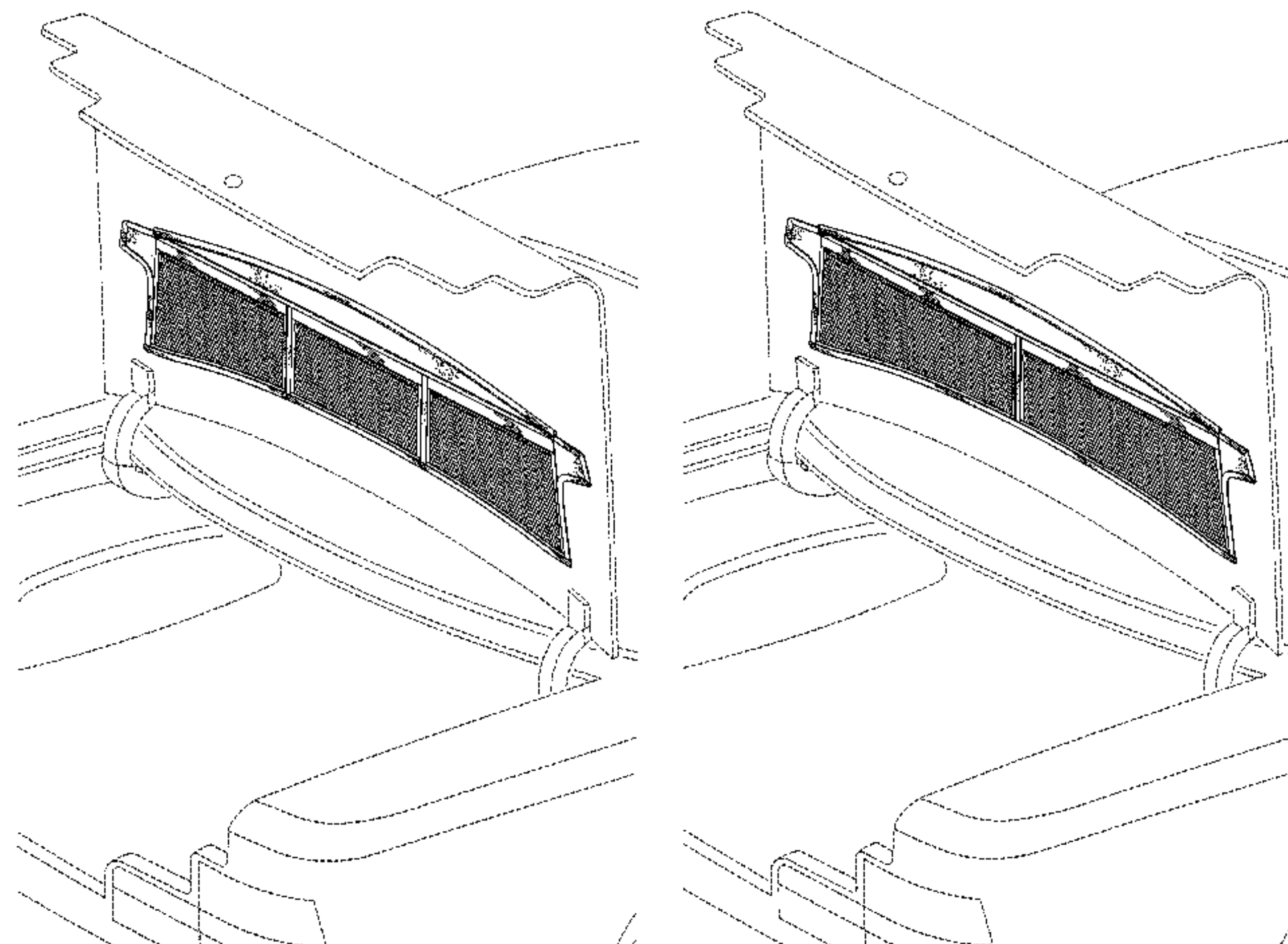


FIG. 4 is a back view of the first embodiment;

FIG. 5 is a top view of the first embodiment;

FIG. 6 is a bottom view of the first embodiment;

FIG. 7 is a perspective view of a second embodiment of a trunk organizer embodying our design, with the second embodiment shown mounted on the inside of the trunk lid of an automobile to show the environment of its use, the trunk lid and automobile forming no part of the present invention;

FIG. 8 is a front view of the second embodiment;

FIG. 9 is a right side view of the second embodiment, the left side view being an identical mirror image of the right side view;

FIG. 10 is a back view of the second embodiment;

FIG. 11 is a top view of the second embodiment;

FIG. 12 is a bottom view of the second embodiment;

FIG. 13 is a perspective view of a third embodiment of a trunk organizer embodying our design, with the third embodiment shown mounted on the inside of the trunk lid of an automobile to show the environment of its use, the trunk lid and automobile forming no part of the present invention;

FIG. 14 is a front view of the third embodiment;

FIG. 15 is a right side view of the third embodiment, the left side view being an identical mirror image of the right side view;

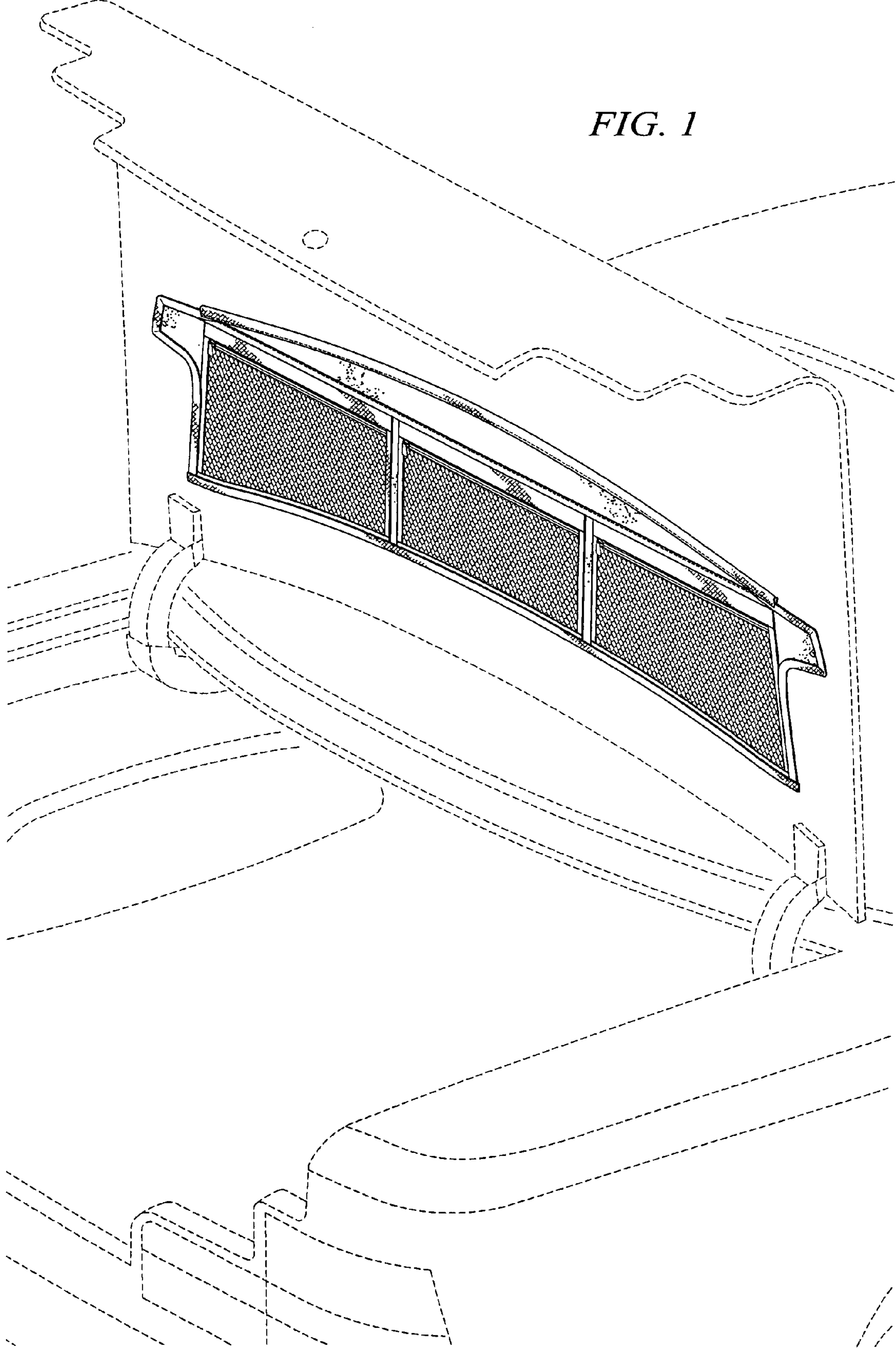
FIG. 16 is a back view of the third embodiment;

FIG. 17 is a top view of the third embodiment; and,

FIG. 18 is a bottom view of the third embodiment.

**1 Claim, 9 Drawing Sheets**





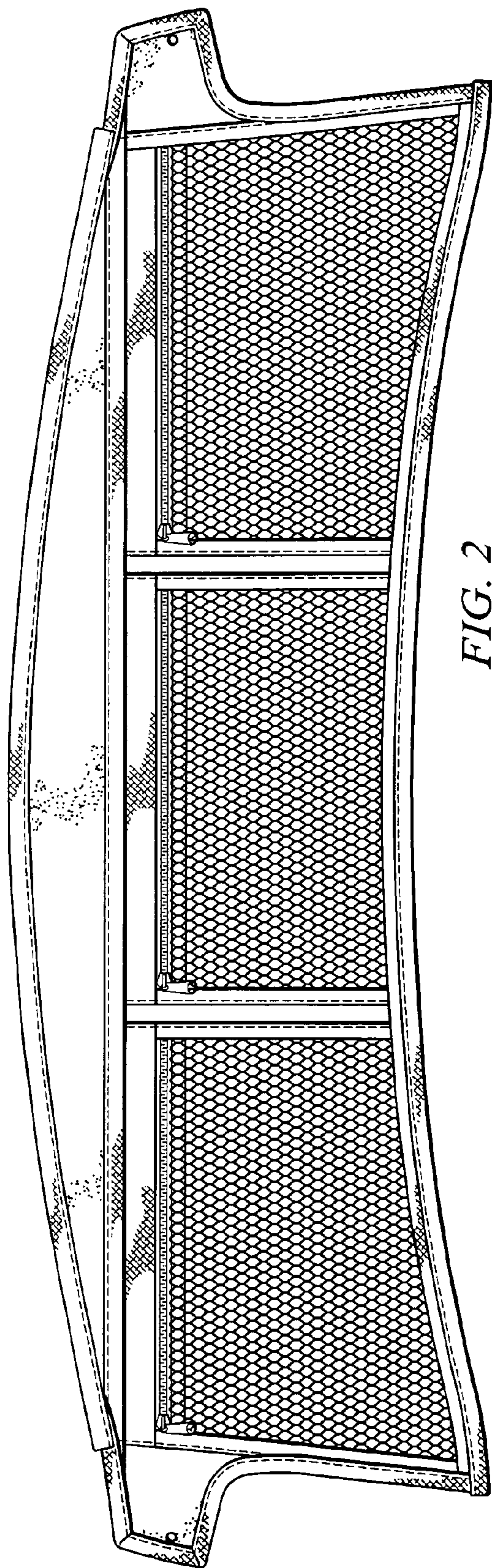


FIG. 2



FIG. 3

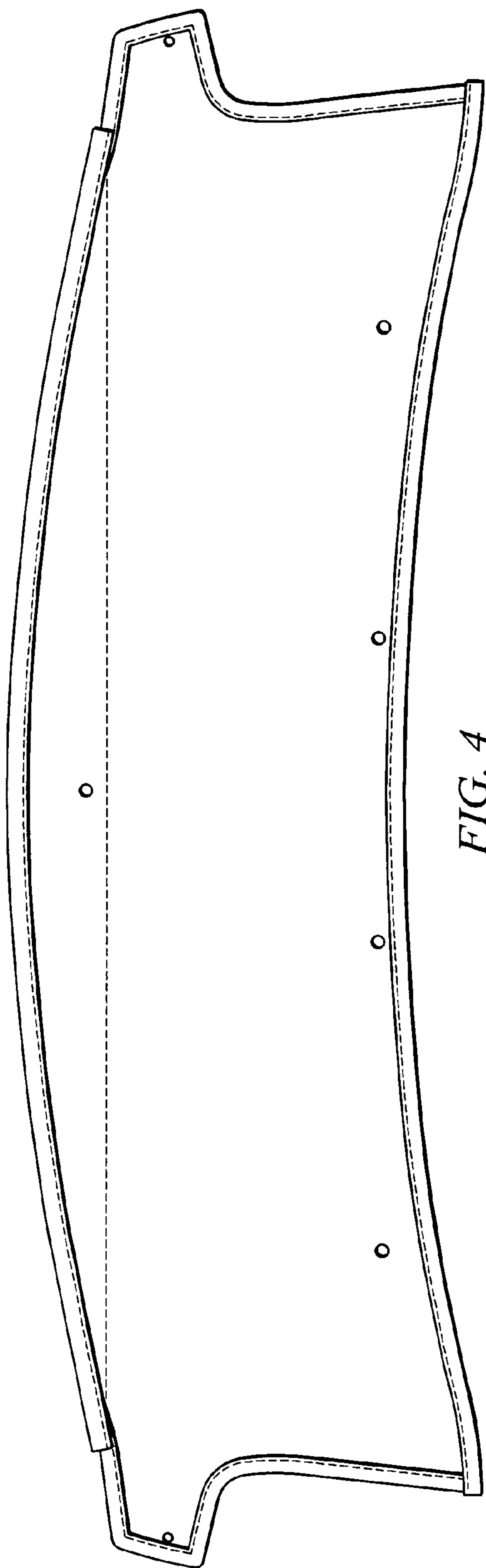


FIG. 4

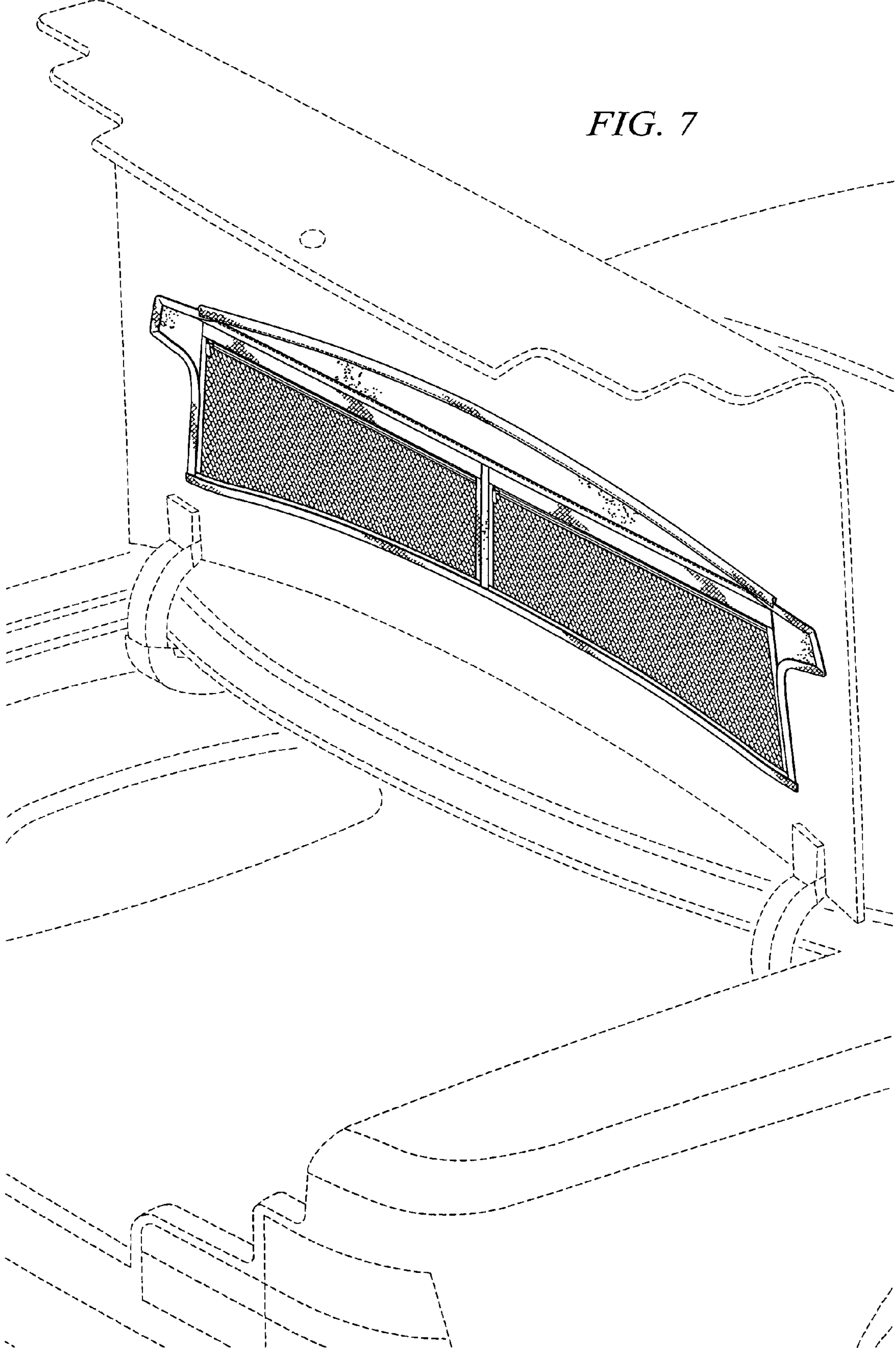


FIG. 5



FIG. 6





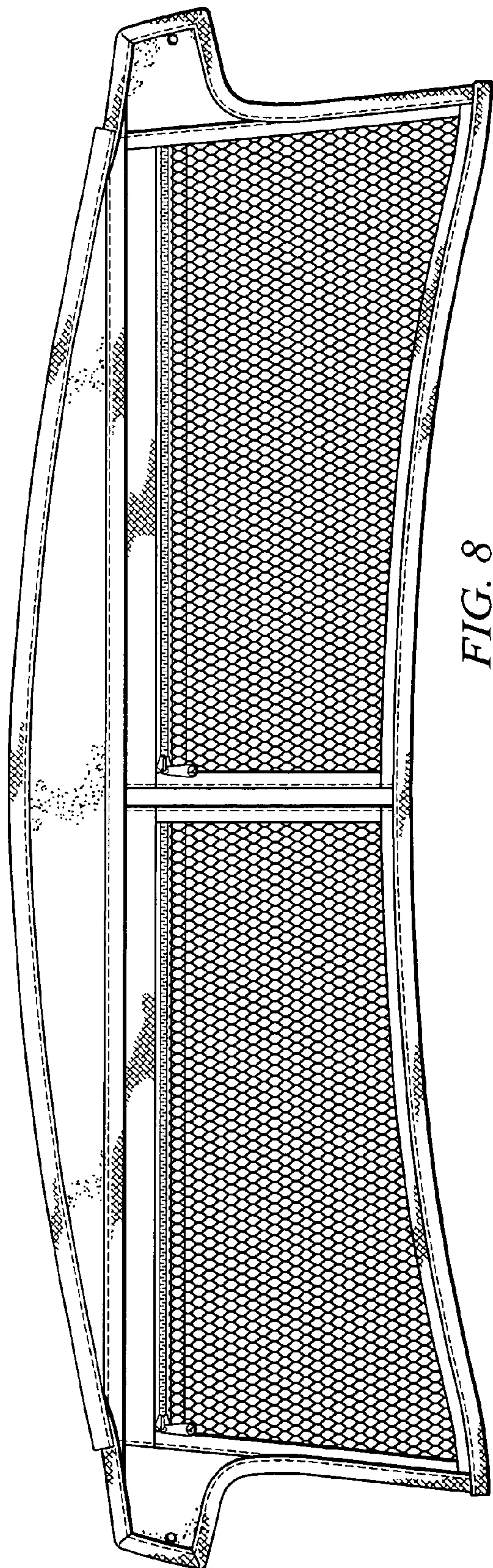


FIG. 8



FIG. 9

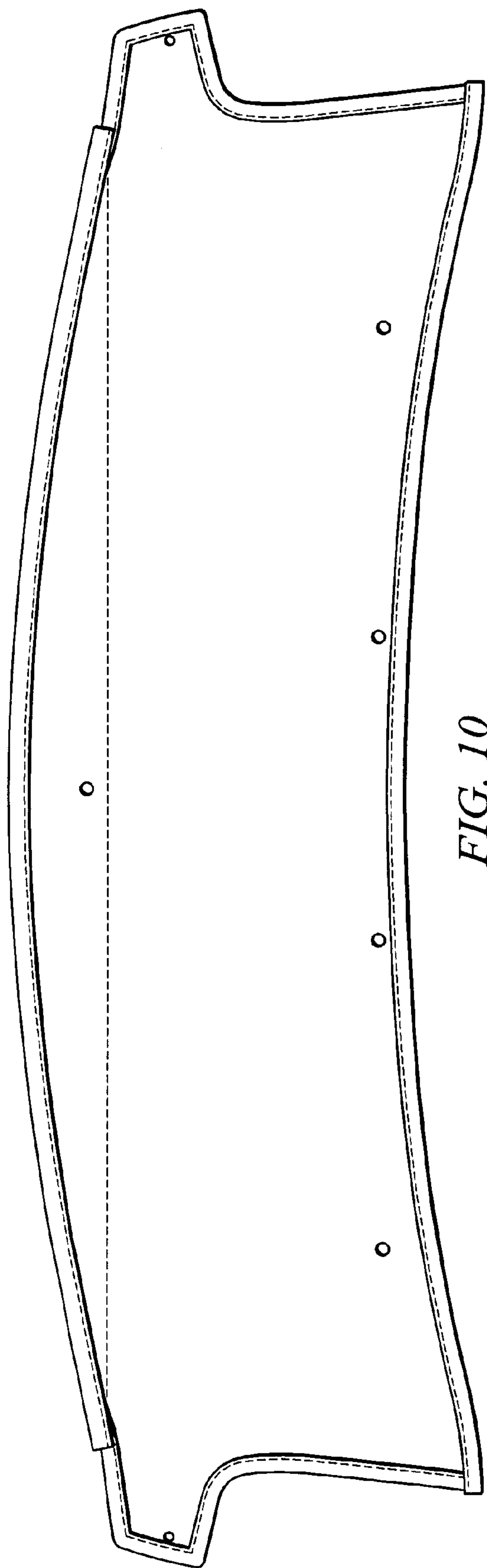


FIG. 10



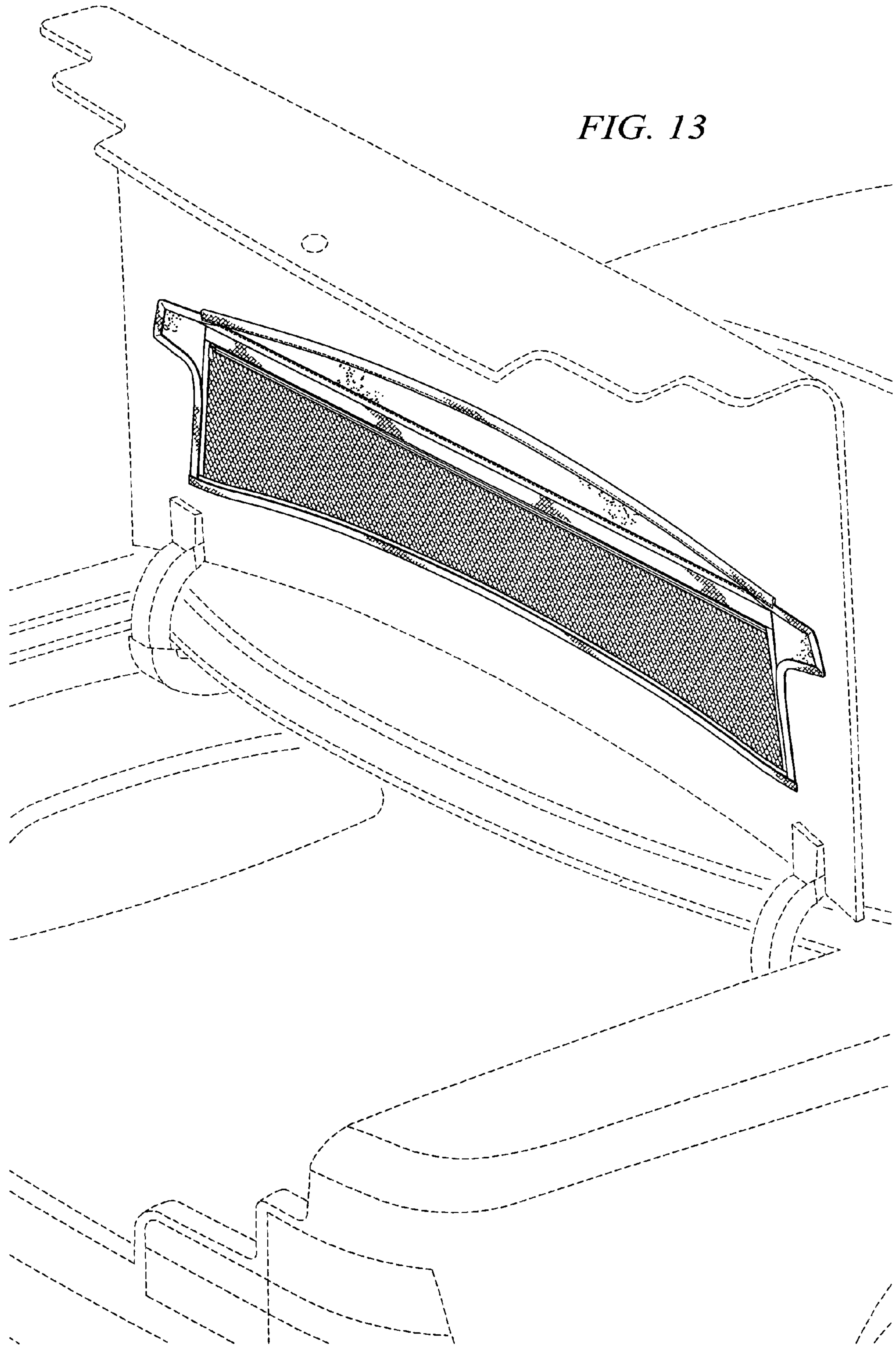
FIG. 11



FIG. 12



FIG. 13



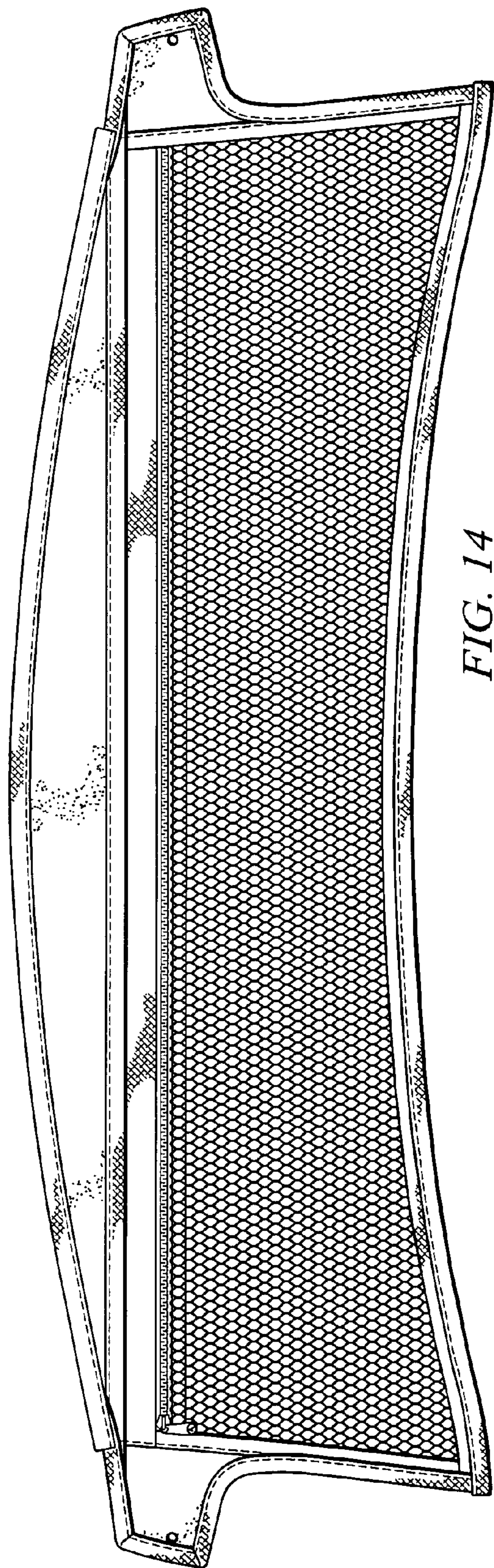


FIG. 14



FIG. 15

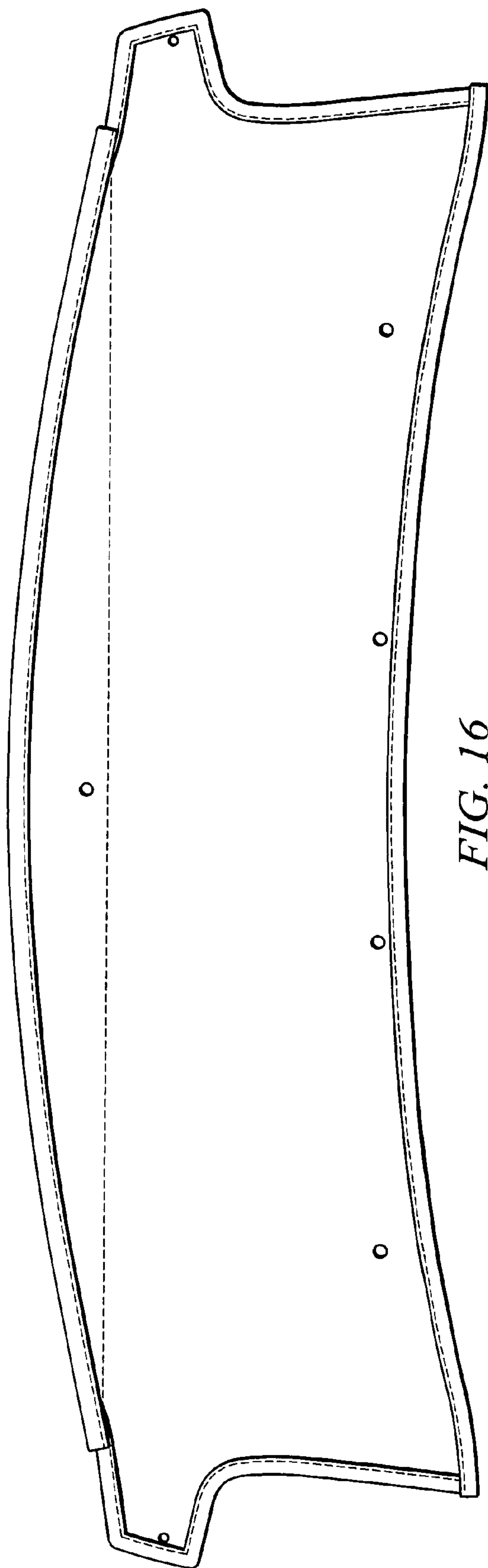


FIG. 16



FIG. 17



FIG. 18