



US00D587632S

(12) **United States Design Patent**
May

(10) **Patent No.:** **US D587,632 S**
(45) **Date of Patent:** **** Mar. 3, 2009**

(54) **MOTORCYCLE TRANSMISSION SHROUD**

Kuryakyn Holdings, Inc. 2003 Catalog, (2 pgs) (Cover page and p. 54).

(75) Inventor: **Darron B. May**, Stillwater, MN (US)

* cited by examiner

(73) Assignee: **Kuryakyn Holdings, Inc.**, Somerset, WI (US)

Primary Examiner—Cathron C Brooks

Assistant Examiner—Linda Brooks

(**) Term: **14 Years**

(74) *Attorney, Agent, or Firm*—Dicke, Billig & Czaja, PLLC

(21) Appl. No.: **29/294,465**

(57) **CLAIM**

(22) Filed: **Jan. 11, 2008**

The ornamental design for a motorcycle transmission shroud, as shown and described.

(51) **LOC (9) Cl.** **12-11**

DESCRIPTION

(52) **U.S. Cl.** **D12/114; D12/126**

FIG. 1 is a perspective view of the motorcycle transmission shroud of the present invention.

(58) **Field of Classification Search** D12/110, D12/114, 126; D15/1-6, 149; 74/606 R; 123/90.48-90.59, 195 C, 198 R, 198 E, 198 P, 123/196 R; 280/288.4; 180/219, 230; 474/144-147
See application file for complete search history.

FIG. 2 is a front view thereof.

FIG. 3 is a rear view thereof.

FIG. 4 is a top side view thereof.

FIG. 5 is a bottom side view thereof.

FIG. 6 is a right side view thereof; and,

FIG. 7 is a left side view thereof.

(56) **References Cited**

Those portions of the motorcycle transmission shroud shown in broken lines form no part of the claimed design. The broken lines shown on the rear of the motorcycle transmission shroud indicate that the rear surface forms no part of the claimed design.

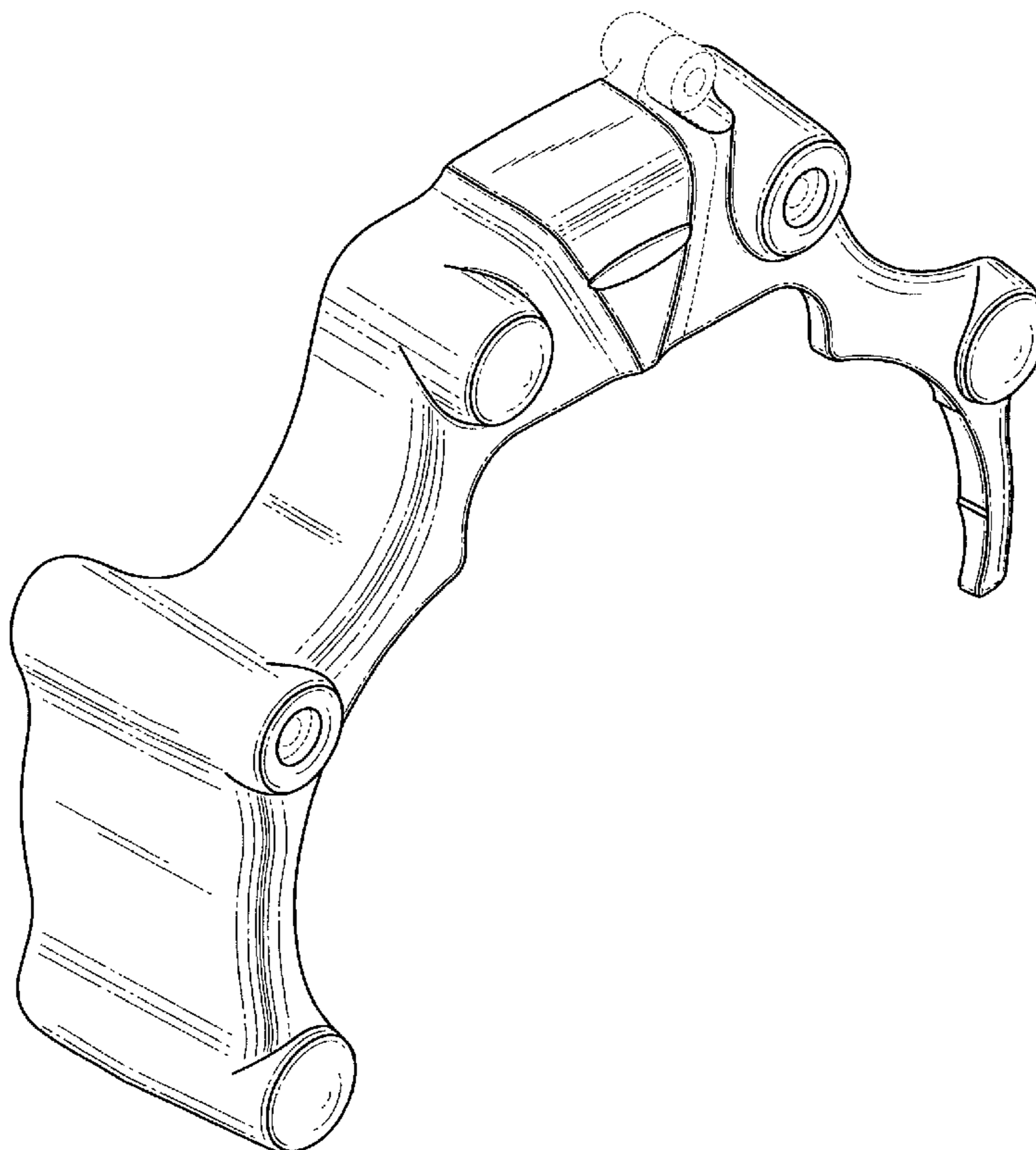
U.S. PATENT DOCUMENTS

D376,566 S * 12/1996 Davidson et al. D12/126
5,580,325 A * 12/1996 Hirota et al. 474/144

OTHER PUBLICATIONS

Custom Chrome 2006 catalog, transmission shroud by KuryAkyn on p. 11.36 and the Carlini Torque Arms for Evolution® Big Twin Motors on p. 11.37.*

1 Claim, 6 Drawing Sheets



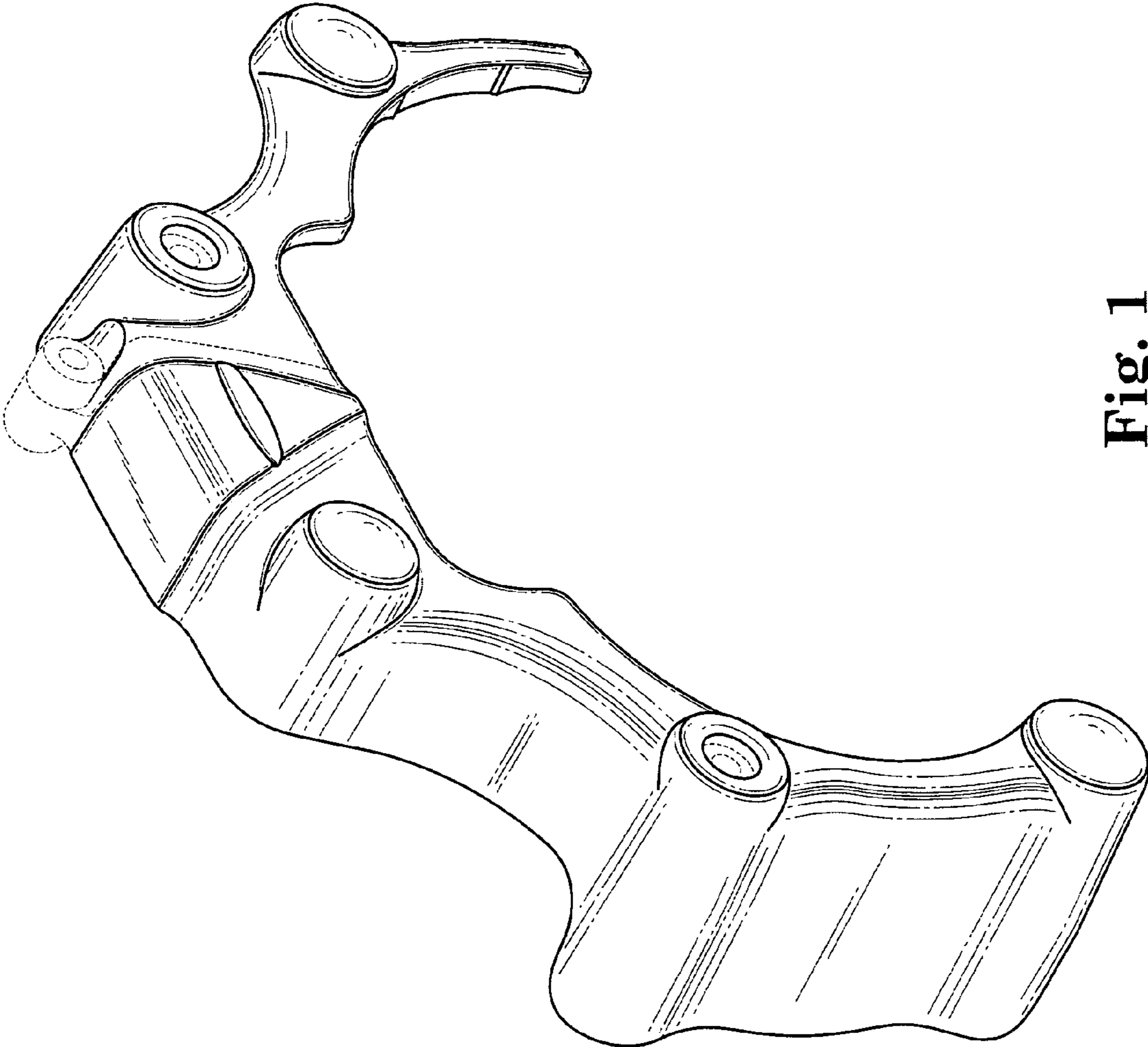


Fig. 1

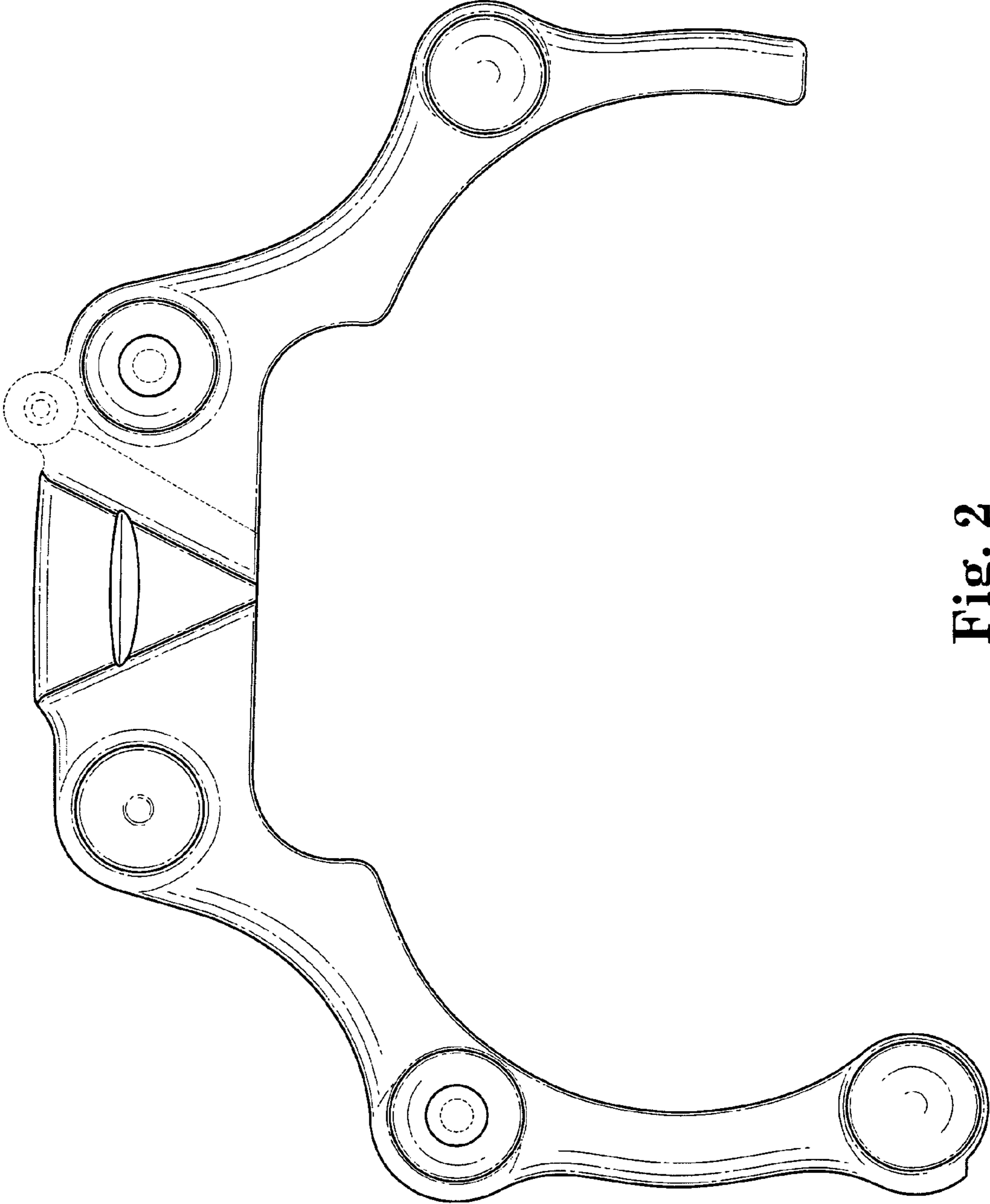


Fig. 2

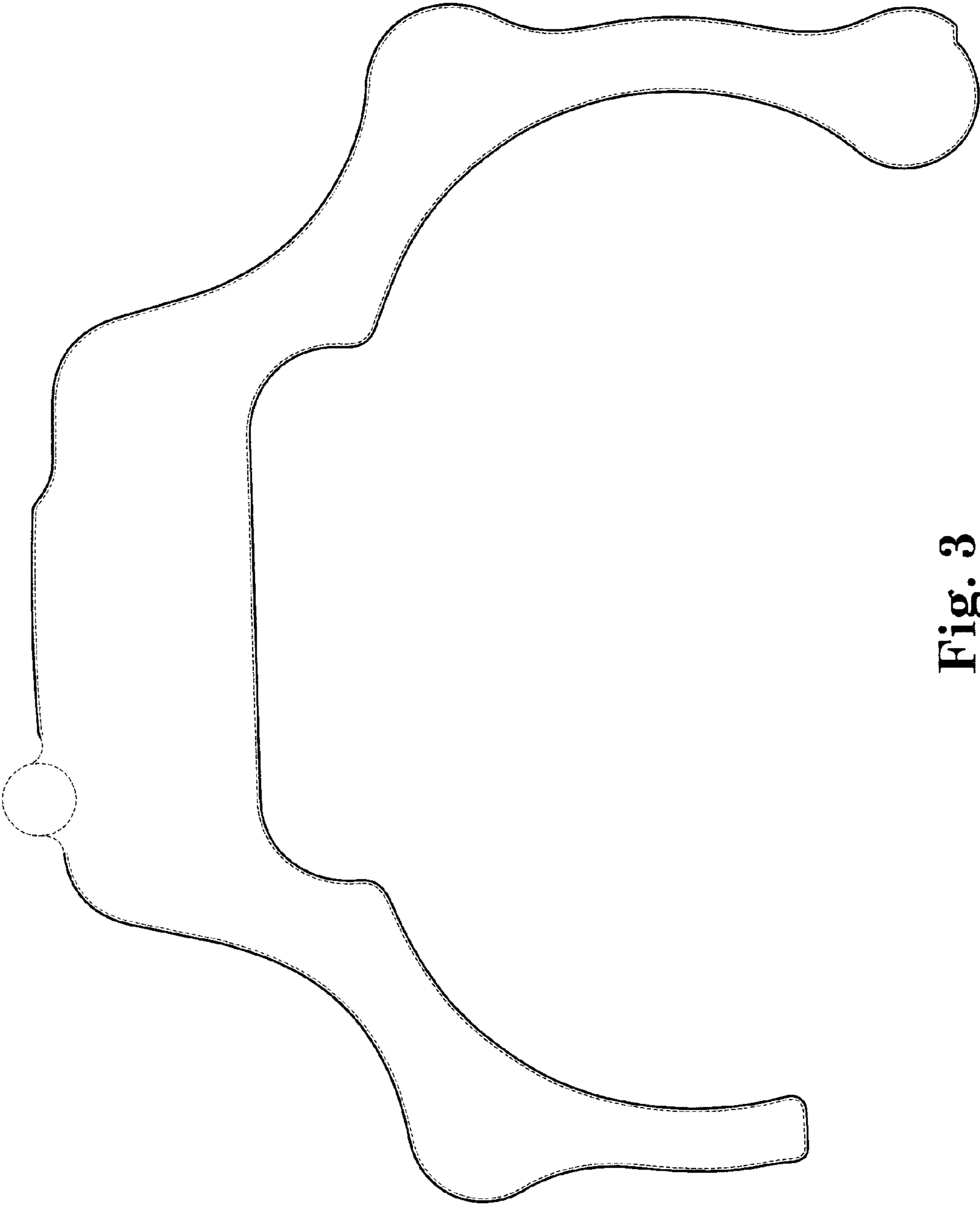


Fig. 3

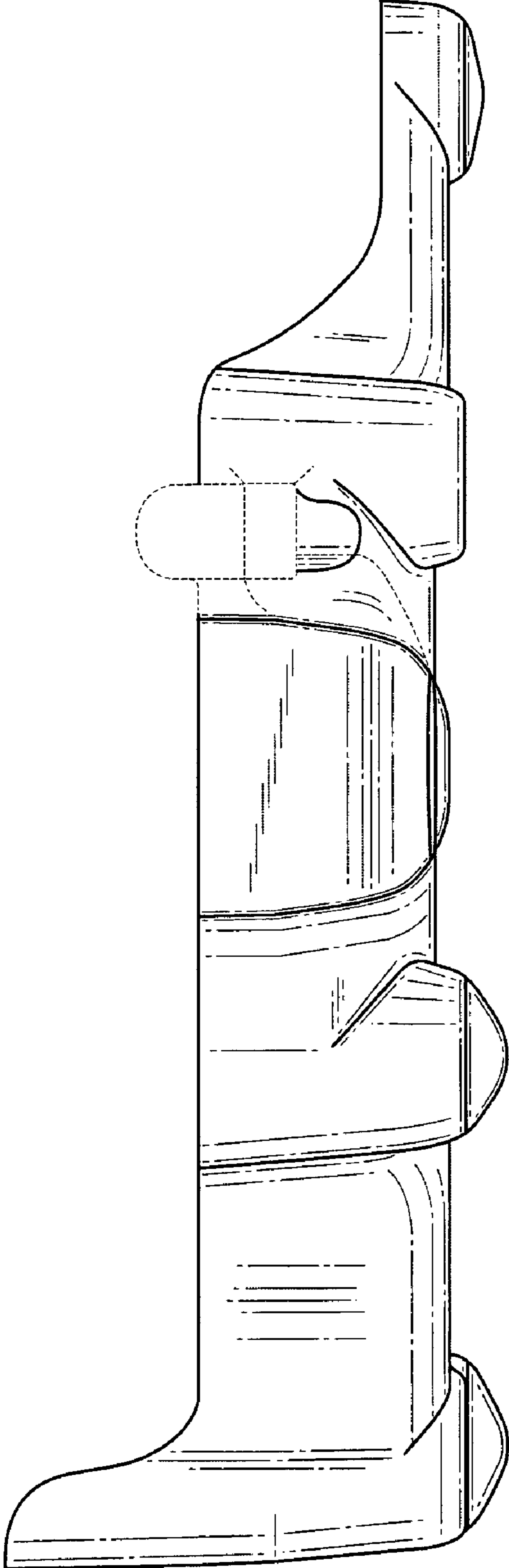


Fig. 4

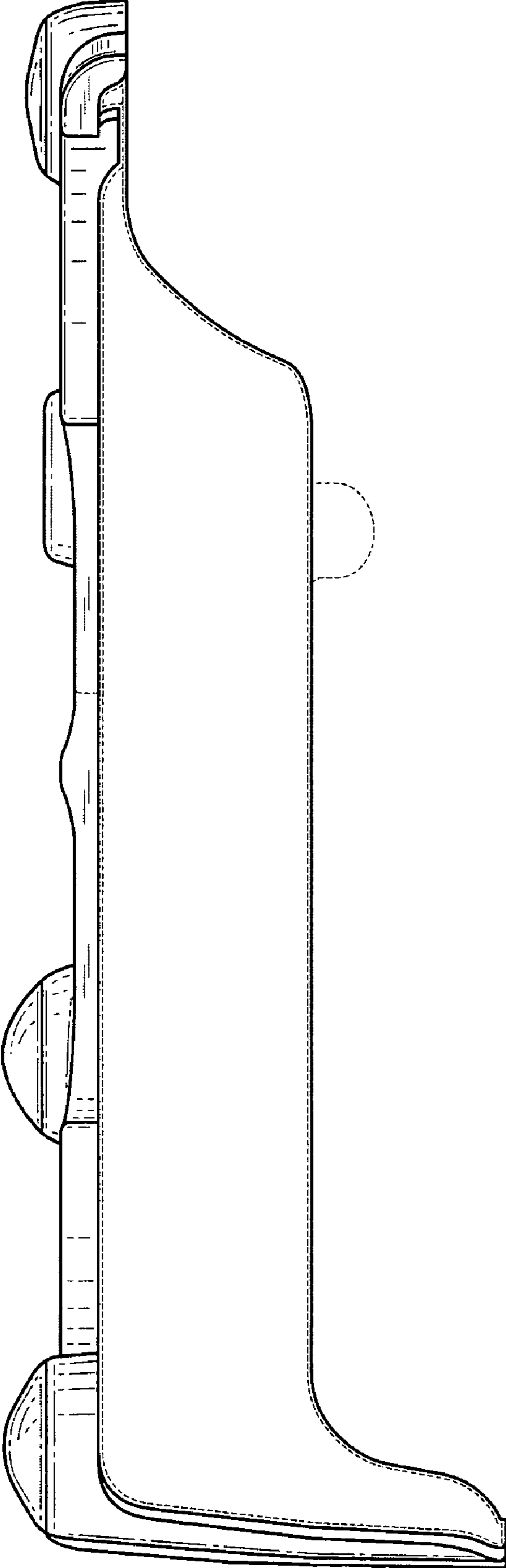


Fig. 5

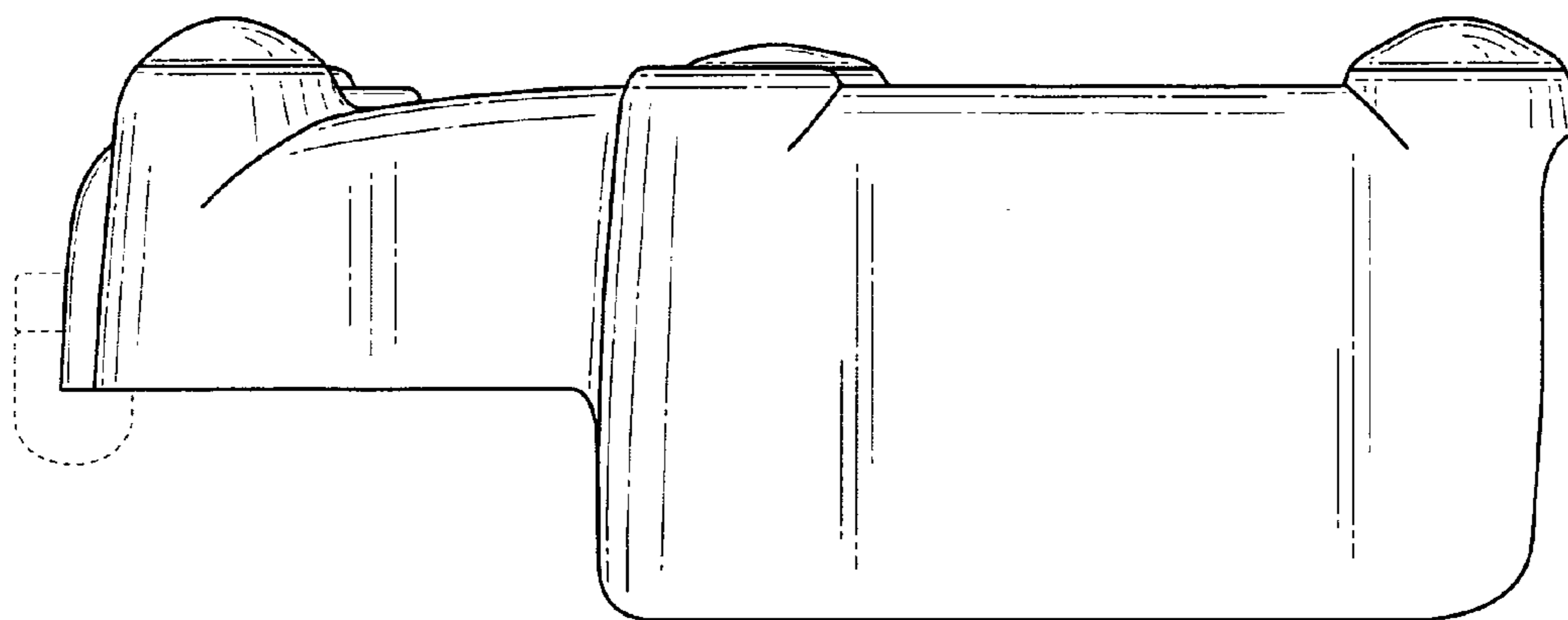


Fig. 7

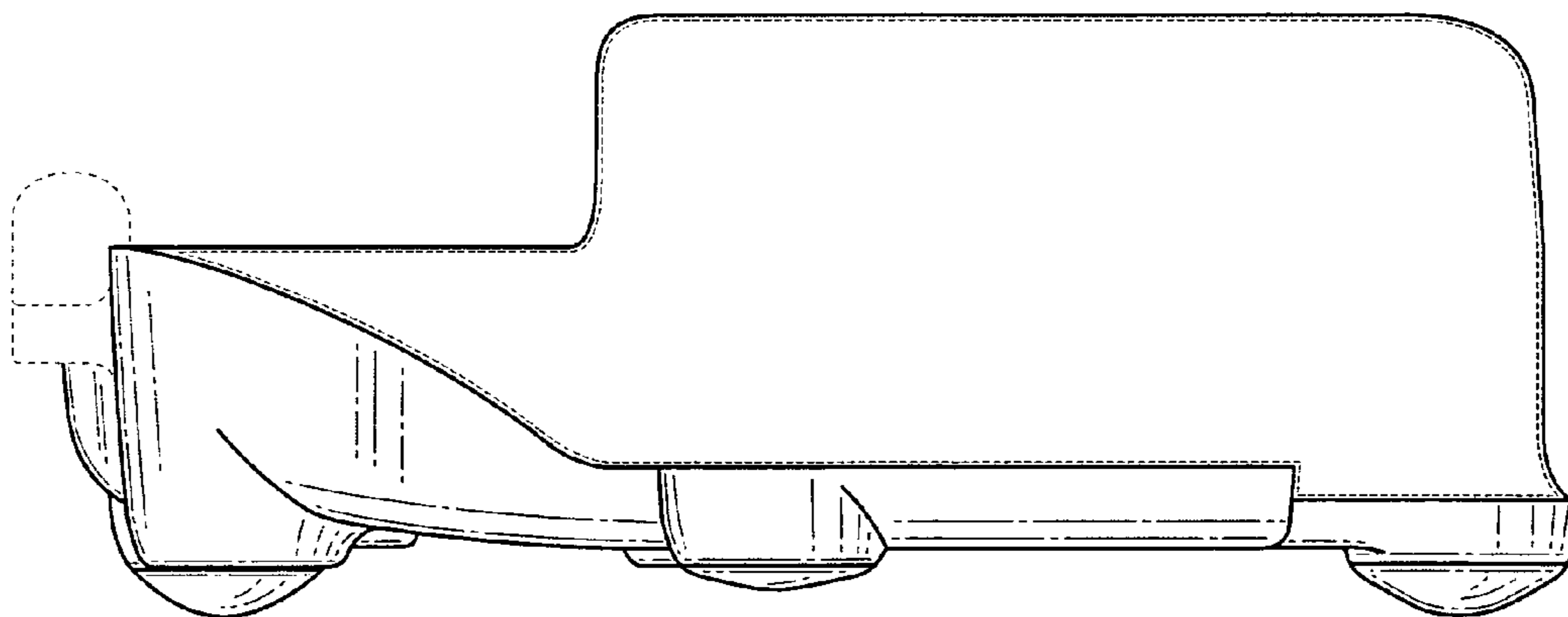


Fig. 6