



US00D587631S

(12) **United States Design Patent**  
**Norman**

(10) **Patent No.:** **US D587,631 S**  
(45) **Date of Patent:** **\*\* Mar. 3, 2009**

(54) **ADAPTER FOR A MOTORCYCLE STEERING STABILIZER**

Chrome Specialties Inc. 2001 catalog, fork braces and Tweek bar on p. 489.\*

(76) Inventor: **Ralph S. Norman**, 8715 Dead Stick Rd., San Diego, CA (US) 92154

\* cited by examiner

(\*\*) Term: **14 Years**

*Primary Examiner*—Cathron C Brooks

*Assistant Examiner*—Linda Brooks

(21) Appl. No.: **29/283,035**

(74) *Attorney, Agent, or Firm*—Fehr Law Firm; Thompson E. Fehr

(22) Filed: **Aug. 3, 2007**

(57) **CLAIM**

(51) **LOC (9) Cl.** ..... **12-11**

I claim the ornamental design for an adapter for a motorcycle steering stabilizer, as shown and described.

(52) **U.S. Cl.** ..... **D12/114**

(58) **Field of Classification Search** ..... D12/110,  
D12/114, 117, 118, 223; 180/219; 280/274–280,  
280/281.1, 288.1–288.4

**DESCRIPTION**

See application file for complete search history.

FIG. 1 is a perspective view from slightly above the adapter for a motorcycle steering stabilizer.

FIG. 2 is a back elevational view thereof.

FIG. 3 is a front elevational view thereof.

FIG. 4 is a top plan view thereof.

FIG. 5 is a bottom plan view thereof.

FIG. 6 is an elevational view of one side thereof; and,

FIG. 7 is an elevational view of the opposite side thereof.

The portions shown in broken lines form no part of the claimed design.

(56) **References Cited**

**U.S. PATENT DOCUMENTS**

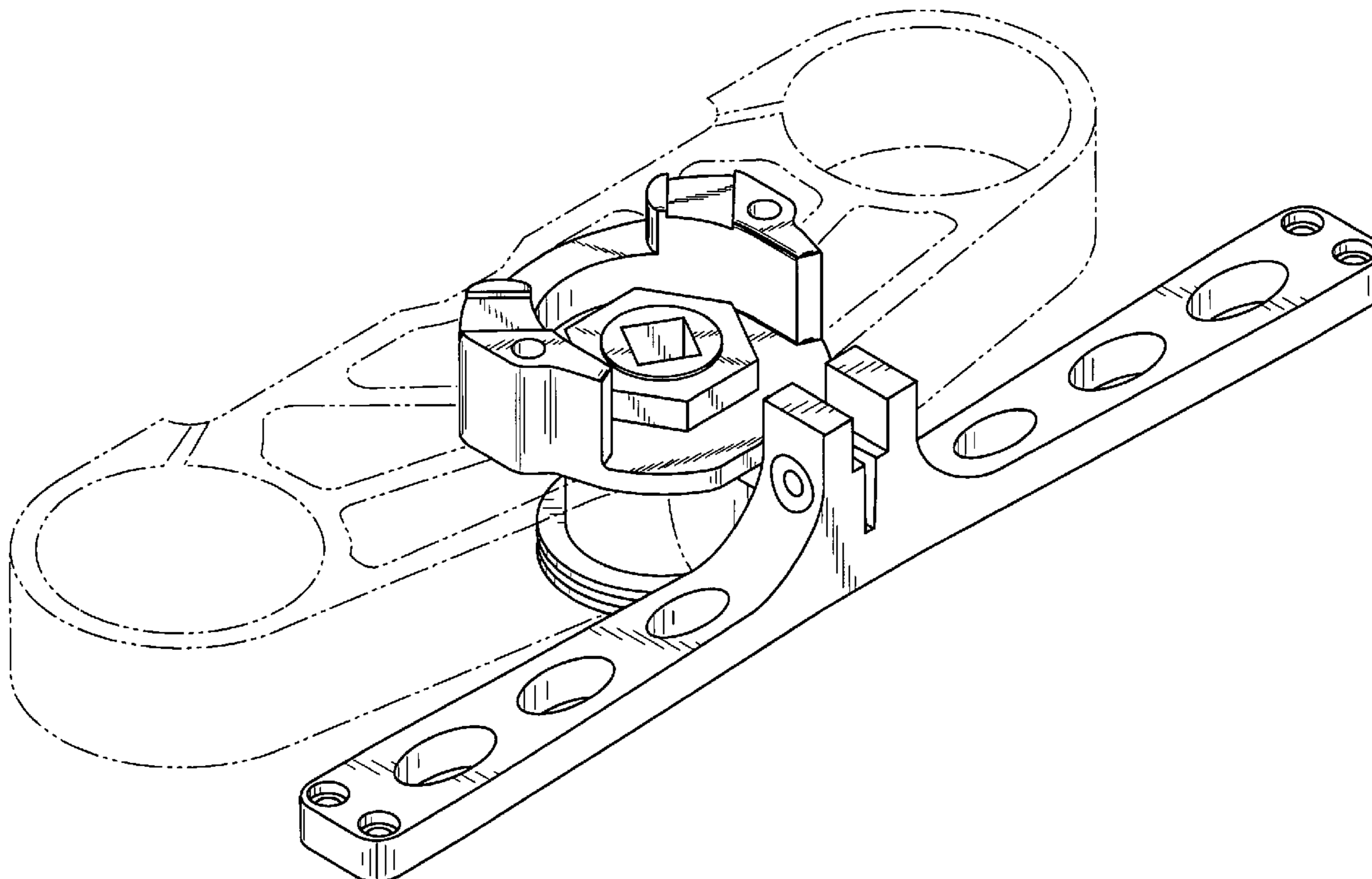
D305,749 S *	1/1990	Jorgensen	.....	D12/117
5,715,903 A *	2/1998	Summers et al.	.....	180/219
D547,243 S *	7/2007	Matsumura et al.	.....	D12/118

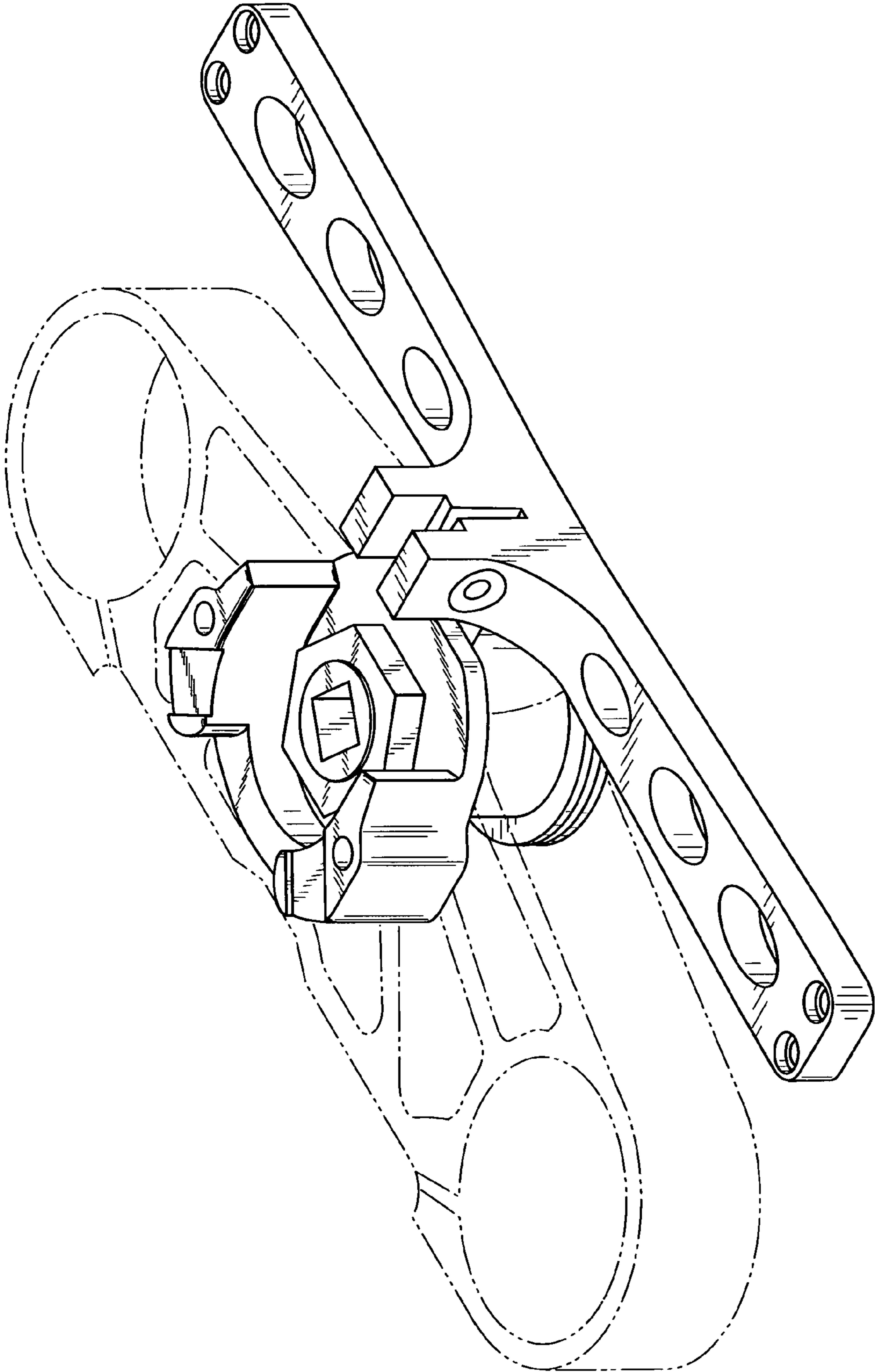
**OTHER PUBLICATIONS**

J & P Cycles Keeping the World on 2 Wheels ® 2001 catalog, fork braces on p. 507.\*

Custom Chrome ® 2004 catalog, fork braces on p. 15.36, and Fork Skins™ for 39mm forks by KuryAkyn on p. 15.41.\*

**1 Claim, 6 Drawing Sheets**





**FIG. 1**

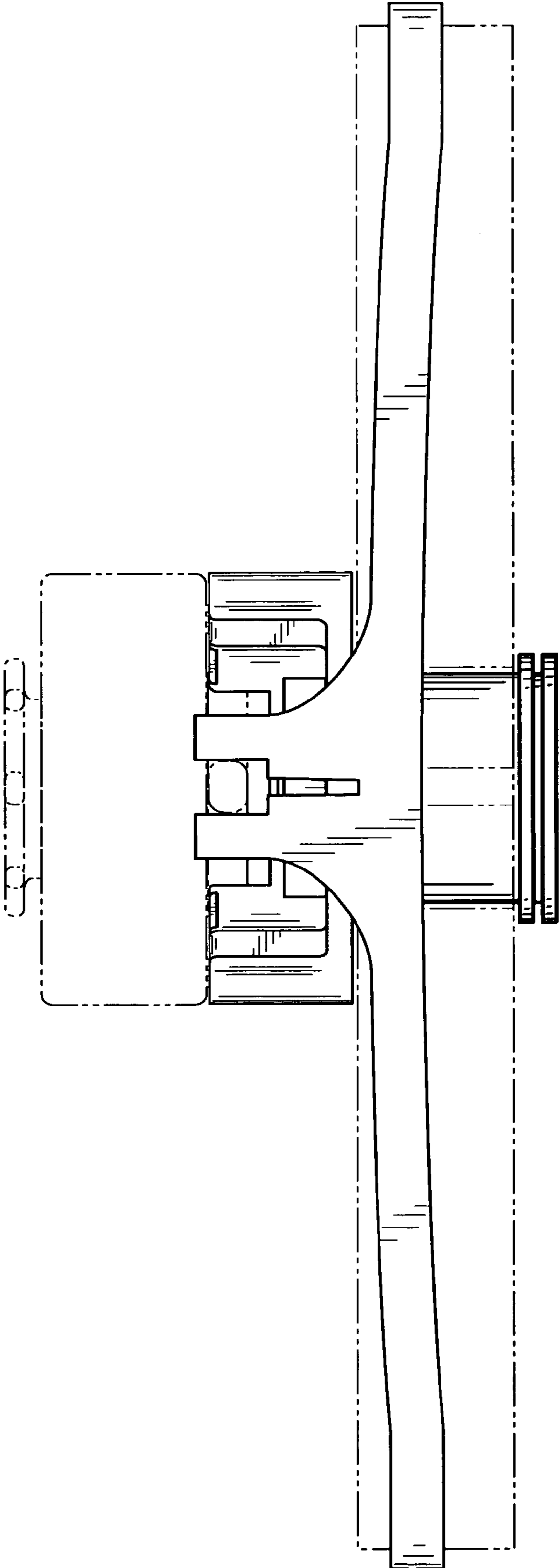
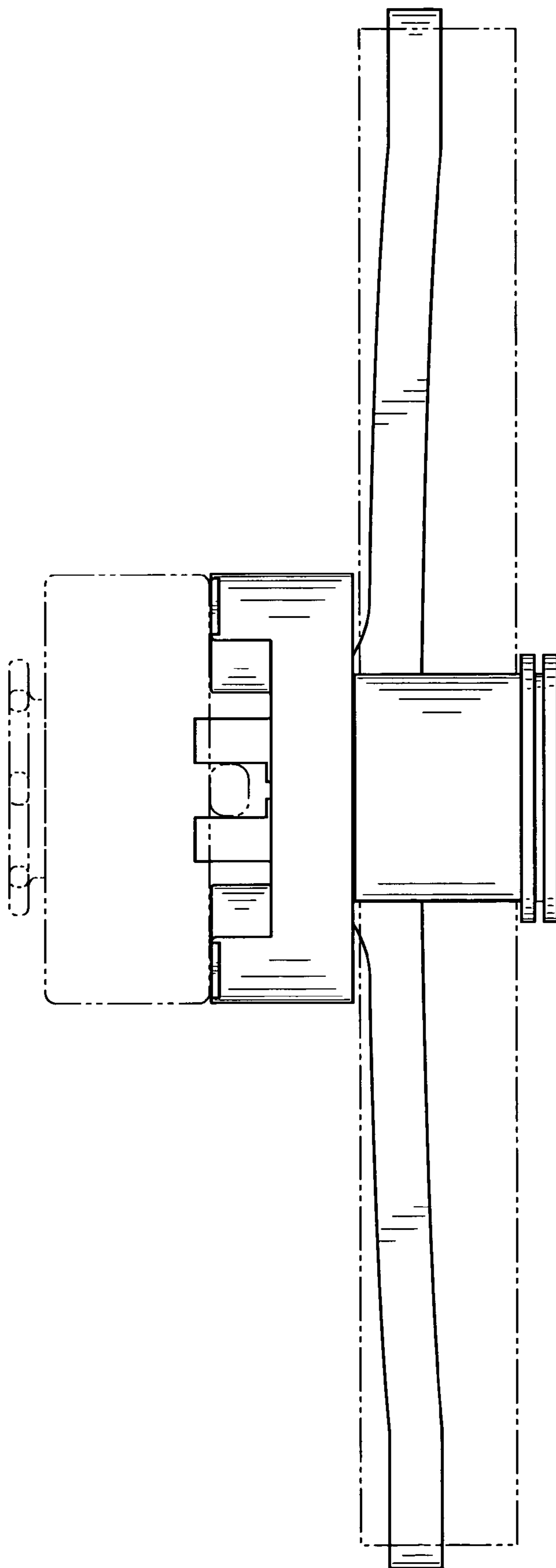
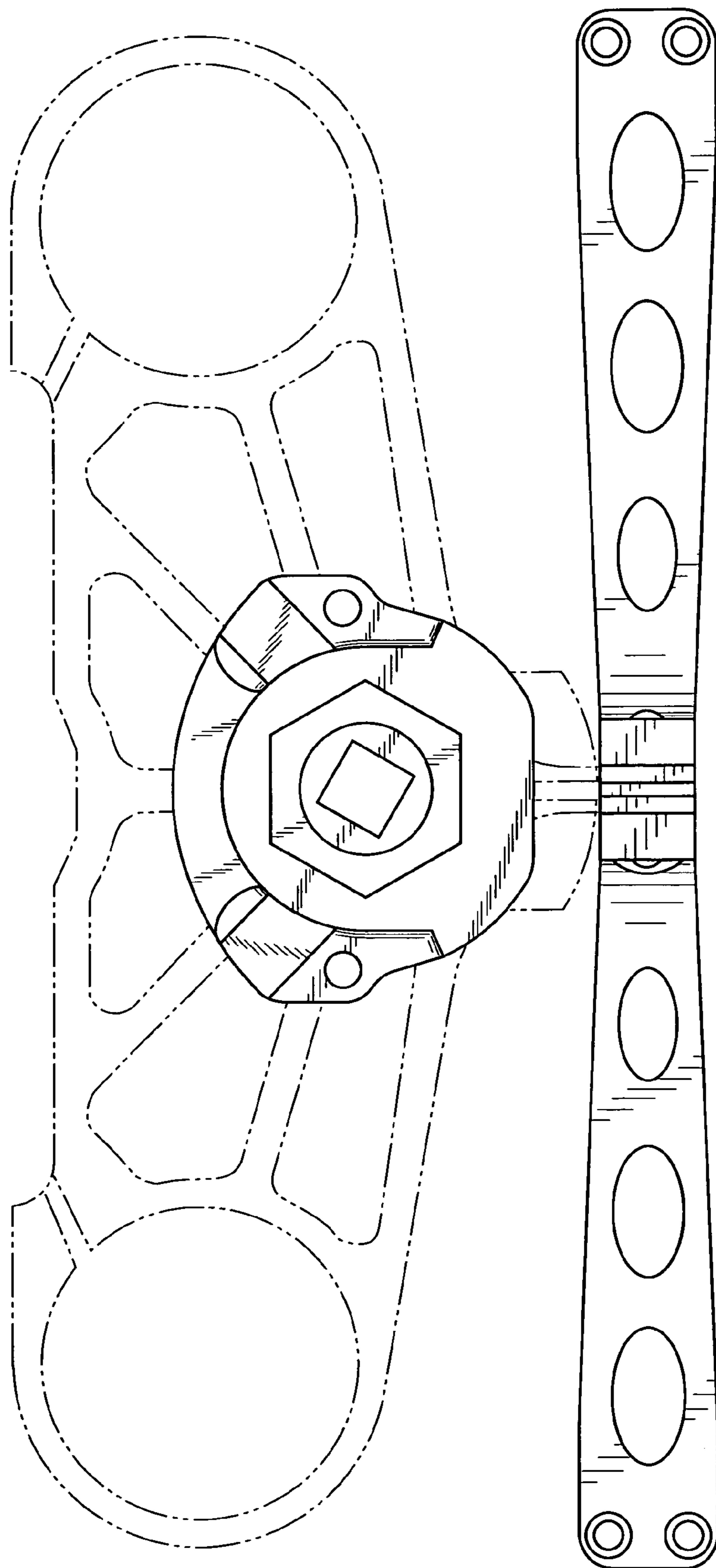


FIG. 2



**FIG. 3**



**FIG. 4**

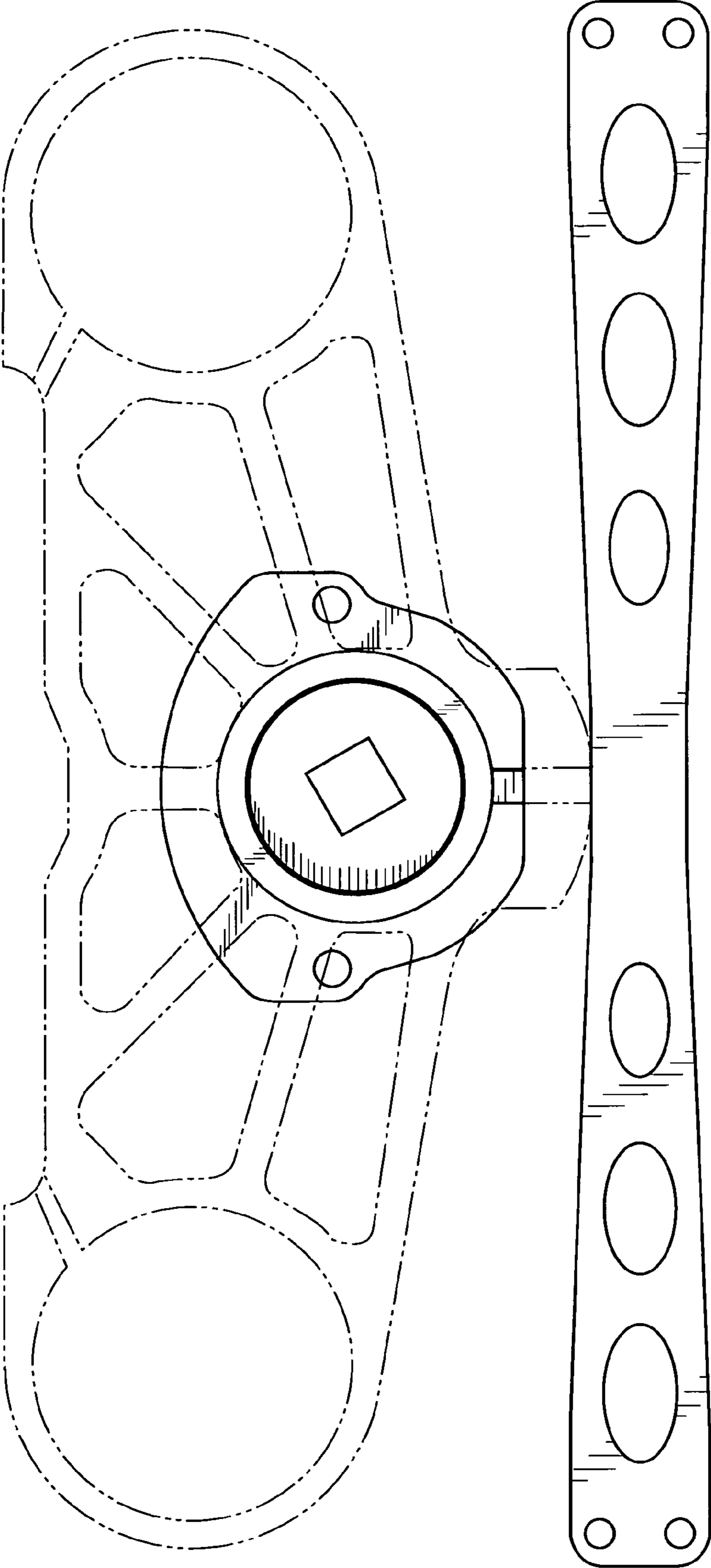
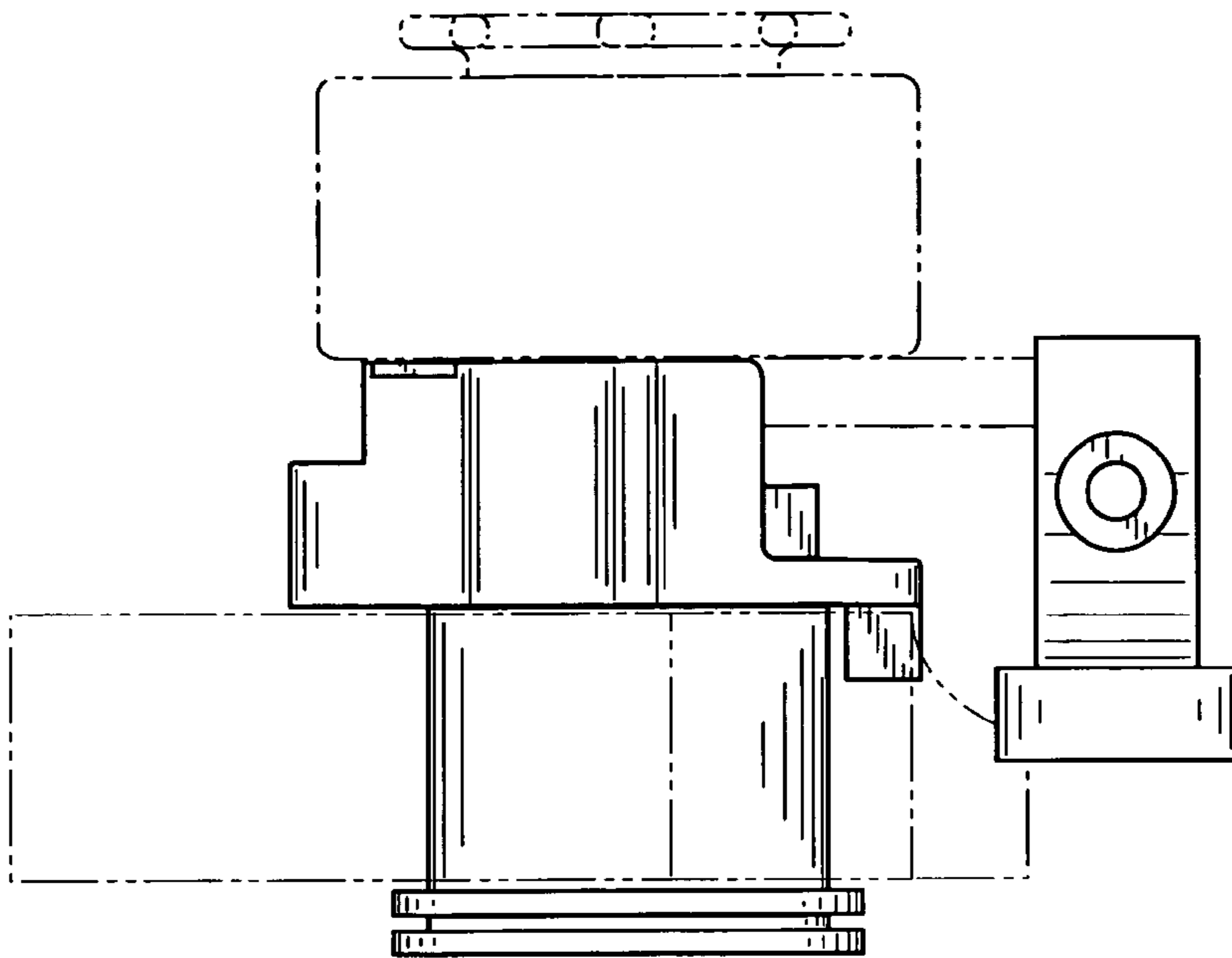
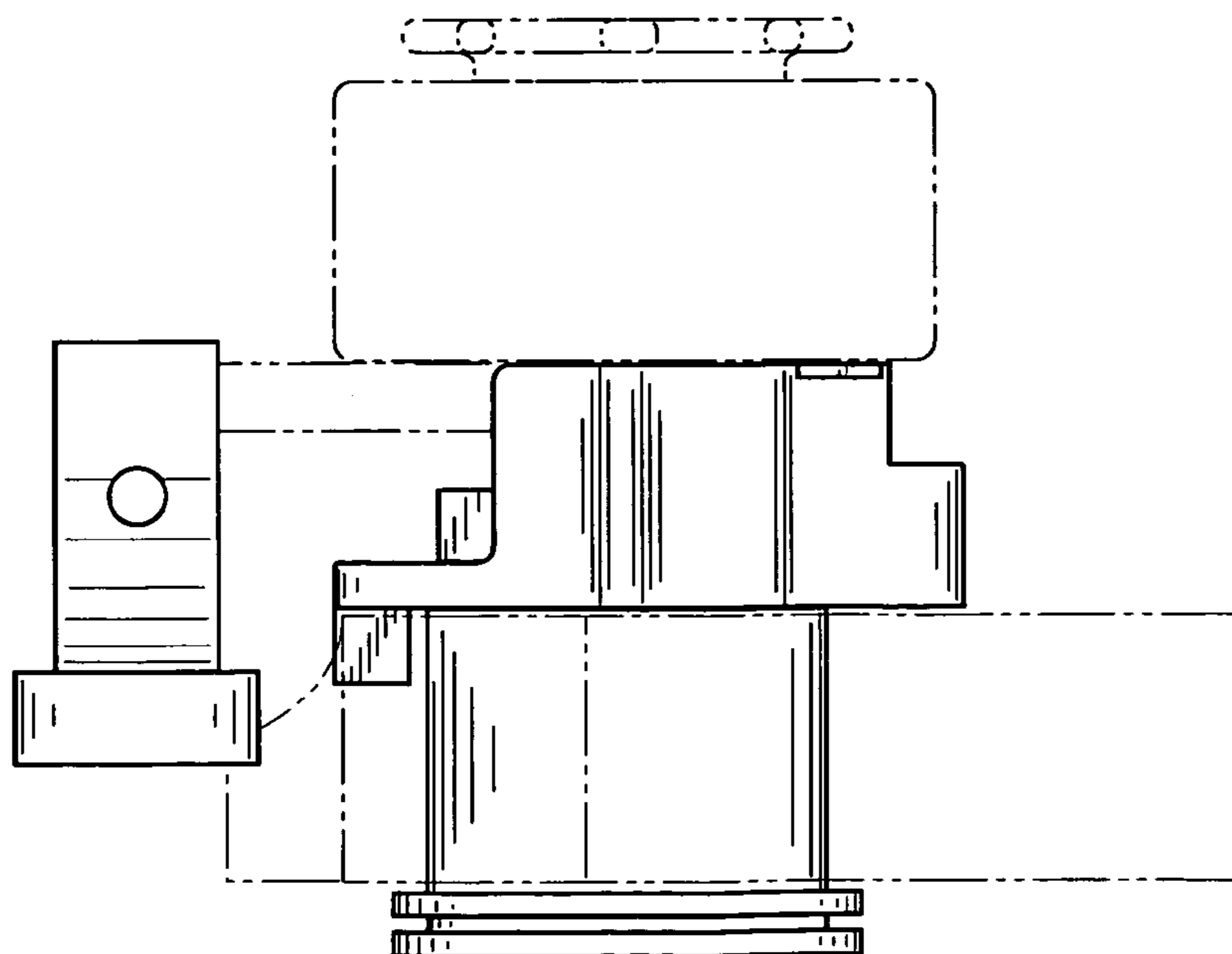


FIG. 5



**FIG. 6**



**FIG. 7**