

US00D587628S

(12) **United States Design Patent**
Biddings

(10) **Patent No.:** **US D587,628 S**
(45) **Date of Patent:** **** Mar. 3, 2009**

- (54) **SANDING NOZZLE**
- (75) Inventor: **Emma L. Biddings**, Lynwood, IL (US)
- (73) Assignee: **Electro-Motive Diesel, Inc.**, LaGrange, IL (US)
- (**) Term: **14 Years**
- (21) Appl. No.: **29/318,080**
- (22) Filed: **May 13, 2008**

Related U.S. Application Data

- (62) Division of application No. 29/260,948, filed on Jun. 5, 2006, now Pat. No. Des. 571,257.
 - (51) **LOC (9) Cl.** **12-03**
 - (52) **U.S. Cl.** **D12/42**
 - (58) **Field of Classification Search** D8/1, D8/2, 40, 80, 107, 307-309, 382, 306, 311, D8/315, 321; D15/199; D23/213; D26/113; D12/42, 48
- See application file for complete search history.

References Cited

U.S. PATENT DOCUMENTS

563,237	A *	6/1896	Porter	291/20
1,247,298	A *	11/1917	Lohmiller	291/46
1,545,885	A *	7/1925	Crane et al.	291/28
1,691,018	A *	11/1928	Scott	293/58
2,230,971	A *	2/1941	Elston	291/44
2,451,878	A *	10/1948	Savercool	291/46
2,743,952	A *	5/1956	Dean	291/44
D199,222	S *	9/1964	Fortman	D23/207
D315,615	S *	3/1991	Goldstein	D26/113
5,118,142	A *	6/1992	Bish	291/46

D348,827	S *	7/1994	Berti et al.	D8/382
D414,788	S *	10/1999	Shintani et al.	D15/144
D458,722	S *	6/2002	Romero et al.	D32/52
6,588,808	B1 *	7/2003	Sheppard	291/41
D484,442	S *	12/2003	Mueller	D12/161
D492,569	S *	7/2004	Pecci et al.	D8/300
D520,106	S *	5/2006	Jones et al.	D23/213

* cited by examiner

Primary Examiner—Robert M Spear
Assistant Examiner—Ania K Dworzecka
(74) *Attorney, Agent, or Firm*—The Law Offices of Eugene M. Cummings, PC

(57) **CLAIM**

The ornamental design for a sanding nozzle, as shown and described.

DESCRIPTION

FIG. 1 is a reduced scale front perspective view of a sanding nozzle showing my new design;

FIG. 2 is a left side elevational view of the sanding nozzle shown in FIG. 1, the right side elevational view being a mirror image of the left side elevational view;

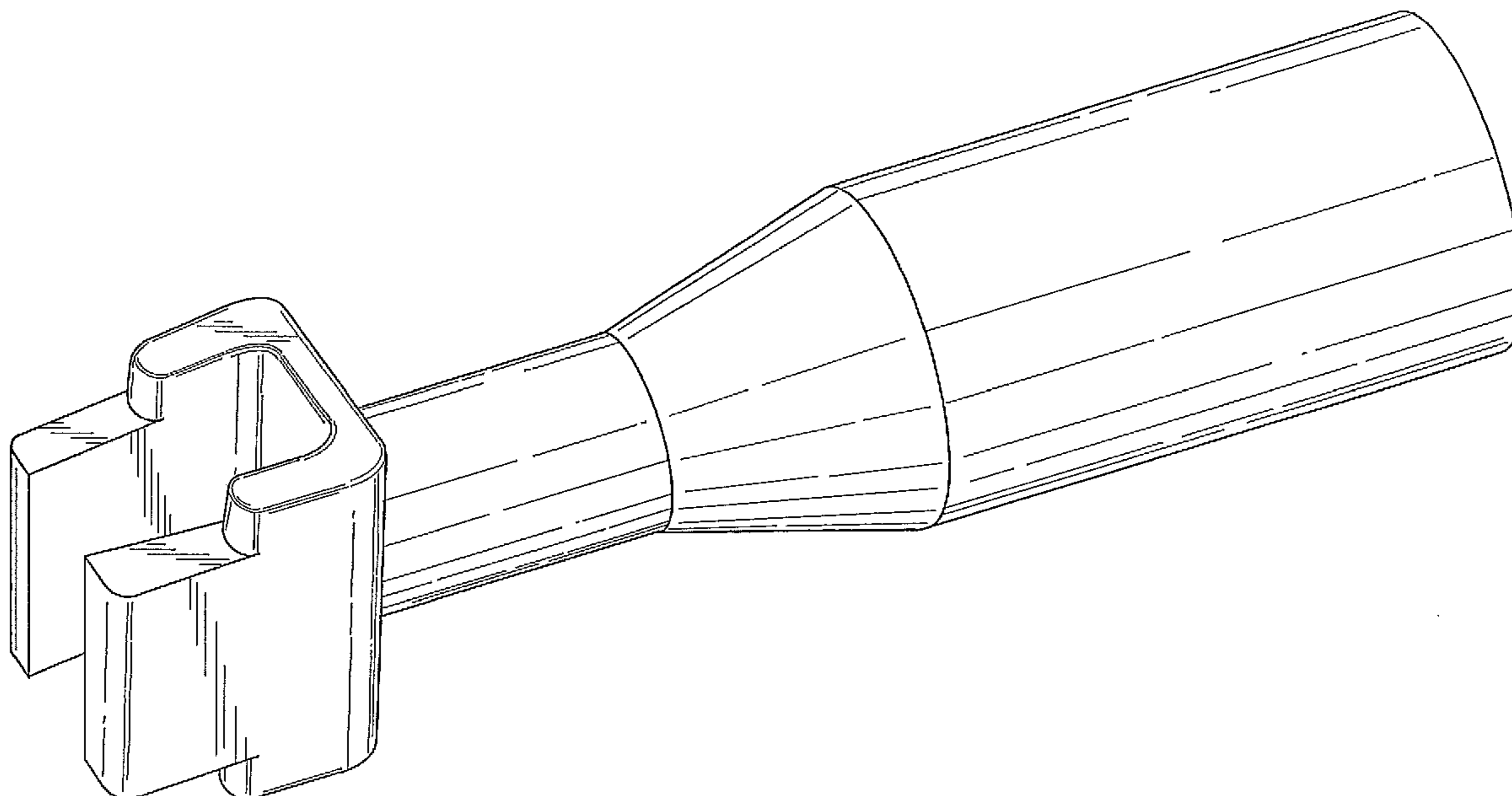
FIG. 3 is a top plan view of the sanding nozzle shown in FIG. 1, the bottom plan view being a mirror image of the top plan view;

FIG. 4 is a front elevational view of the sanding nozzle shown in FIG. 1; and,

FIG. 5 is a rear elevational view of the sanding nozzle shown in FIG. 1.

The broken lines in the drawings represent unclaimed environmental subject matter.

1 Claim, 2 Drawing Sheets



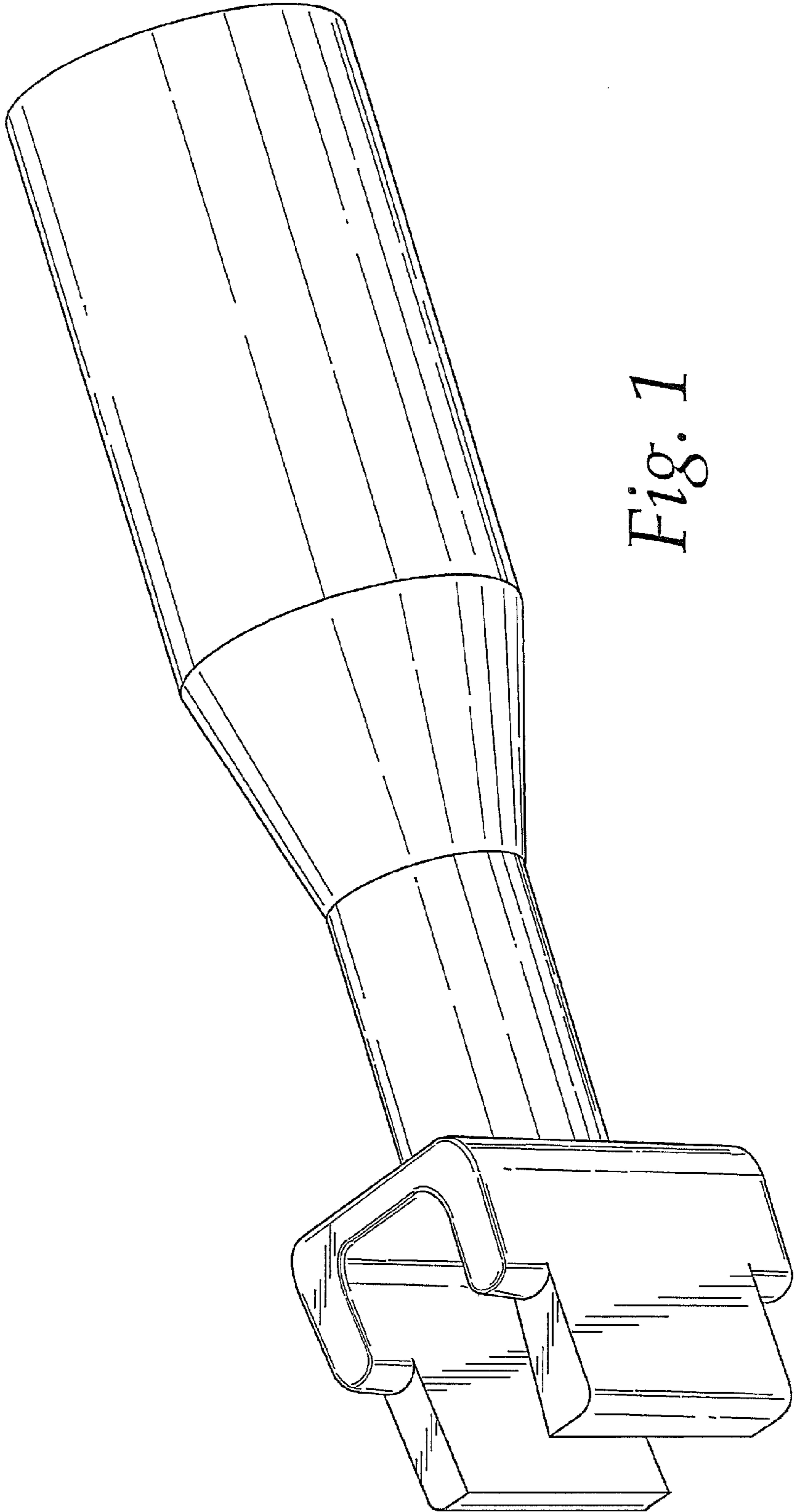


Fig. 1

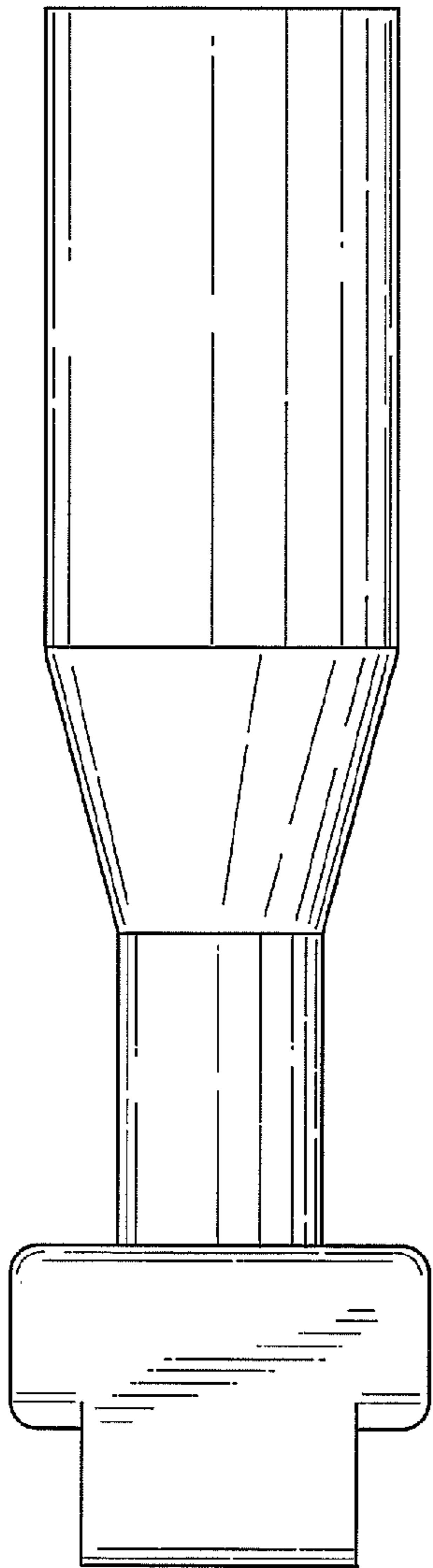


Fig. 2

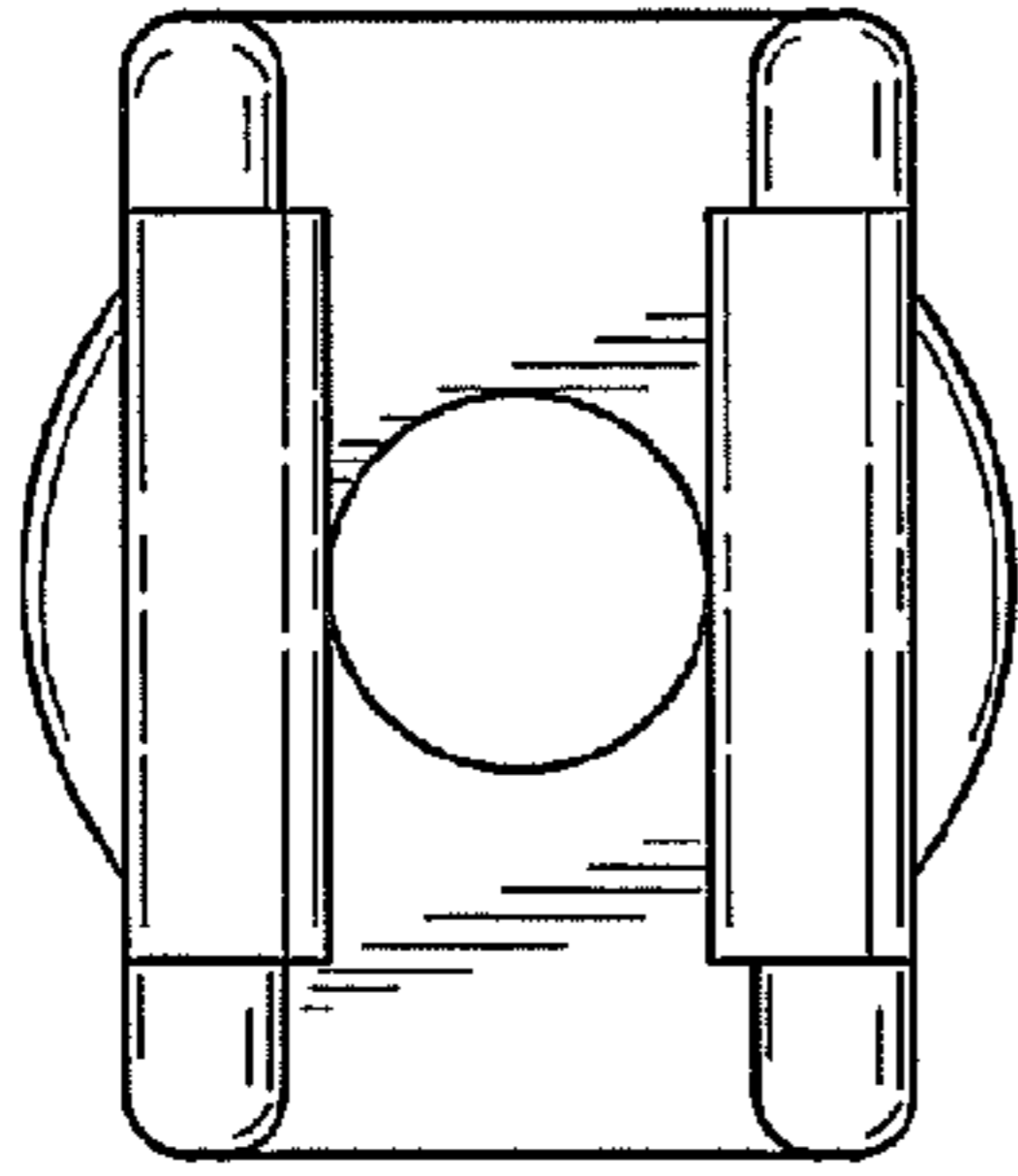


Fig. 4

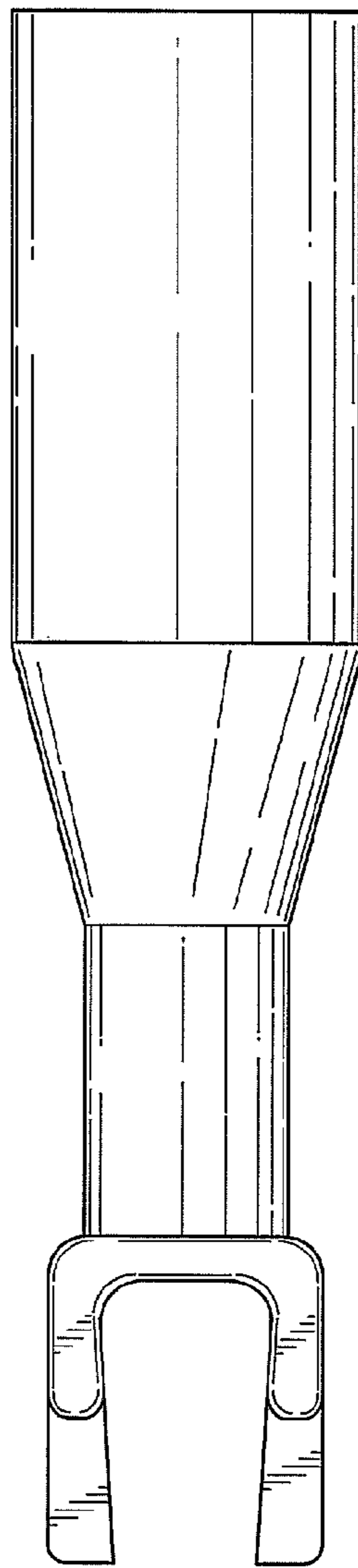


Fig. 3

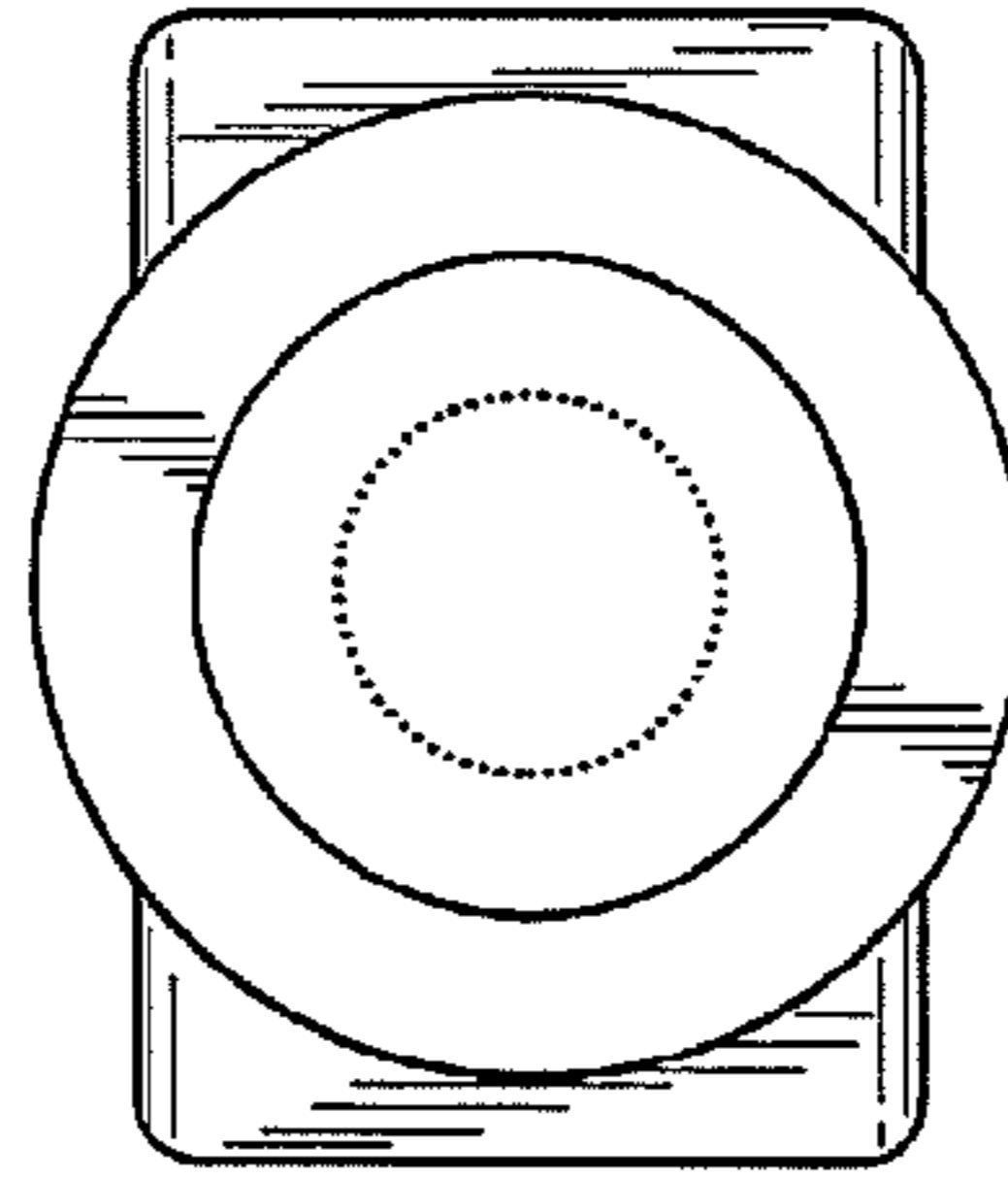


Fig. 5