



US00D587615S

(12) **United States Design Patent**
Steil

(10) **Patent No.:** **US D587,615 S**

(45) **Date of Patent:** **** Mar. 3, 2009**

(54) **RING**

5,735,144 A * 4/1998 Gabel 63/15.1
D567,698 S * 4/2008 Gruosi-Scheufele D11/26

(76) Inventor: **Sandra Steil**, 951 W. Peralla Ave., Mesa,
AZ (US) 85210

* cited by examiner

(**) Term: **14 Years**

Primary Examiner—Cathron C Brooks
Assistant Examiner—Melanie Levy

(21) Appl. No.: **29/308,284**

(57) **CLAIM**

(22) Filed: **Jun. 9, 2008**

The ornamental design for a ring, as shown and described.

(51) **LOC (9) Cl.** **11-01**

(52) **U.S. Cl.** **D11/34**

(58) **Field of Classification Search** D11/26-39,
D11/89-92; 63/15, 15.1-15.4, 15.45, 15.5,
63/15.6, 15.65, 15.7, 26-28

See application file for complete search history.

DESCRIPTION

FIG. 1 is a top plan view of a ring showing my new design,
with the two parts shown separated;

FIG. 2 is a bottom plan view thereof;

FIG. 3 is a left side elevational view thereof;

FIG. 4 is a right side elevational view thereof;

FIG. 5 is a front elevational view thereof;

FIG. 6 is a bottom plan view thereof; and,

FIG. 7 is a top plan view thereof showing the two parts
positioned together.

(56) **References Cited**

U.S. PATENT DOCUMENTS

D75,164 S * 5/1928 Kruger et al. D11/32
D146,524 S * 3/1947 Robbins D11/32
D186,990 S * 1/1960 Berland D11/33
D254,537 S * 3/1980 Abelson D11/34
D348,626 S * 7/1994 Bedoyan D11/32

1 Claim, 4 Drawing Sheets

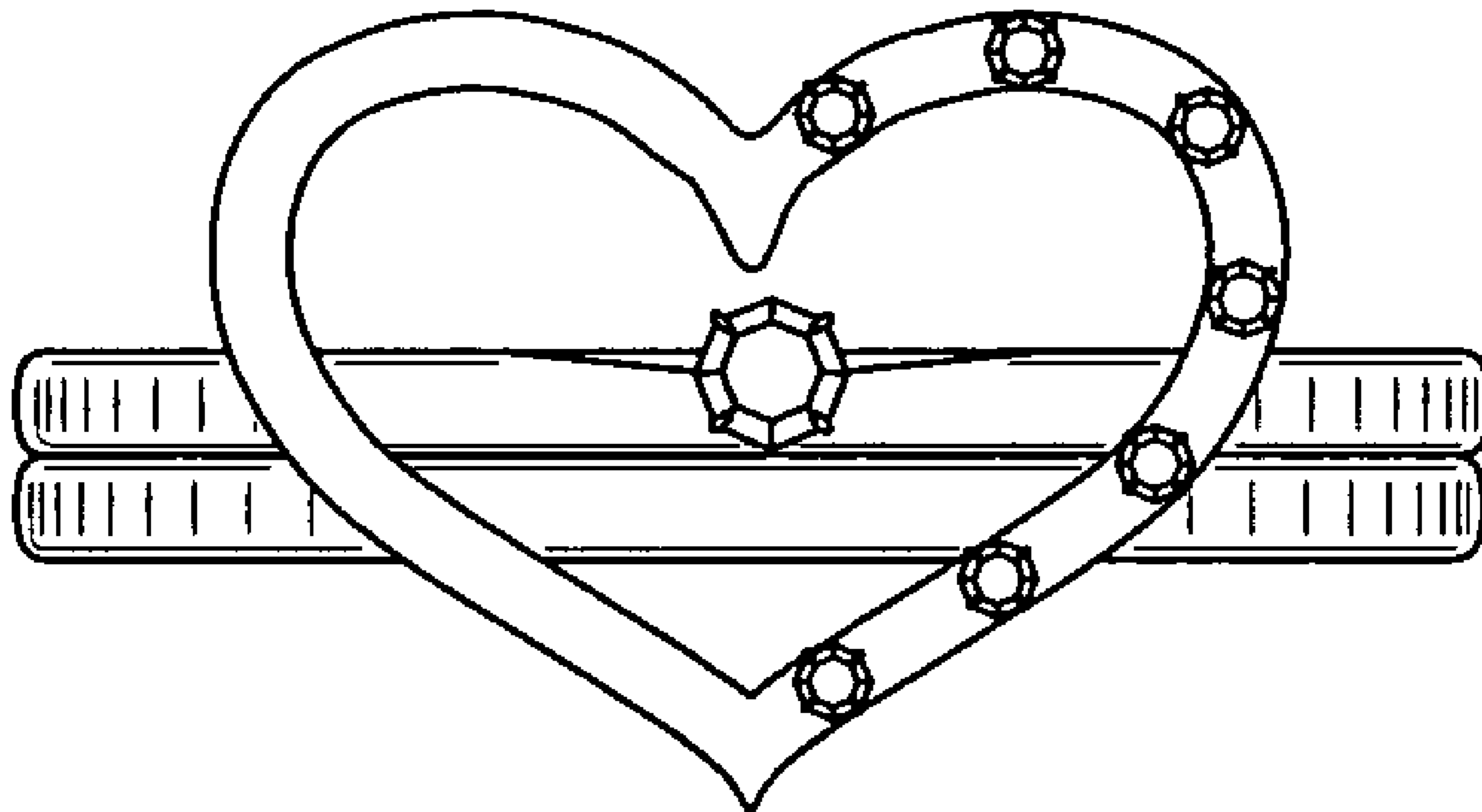


FIG. 1

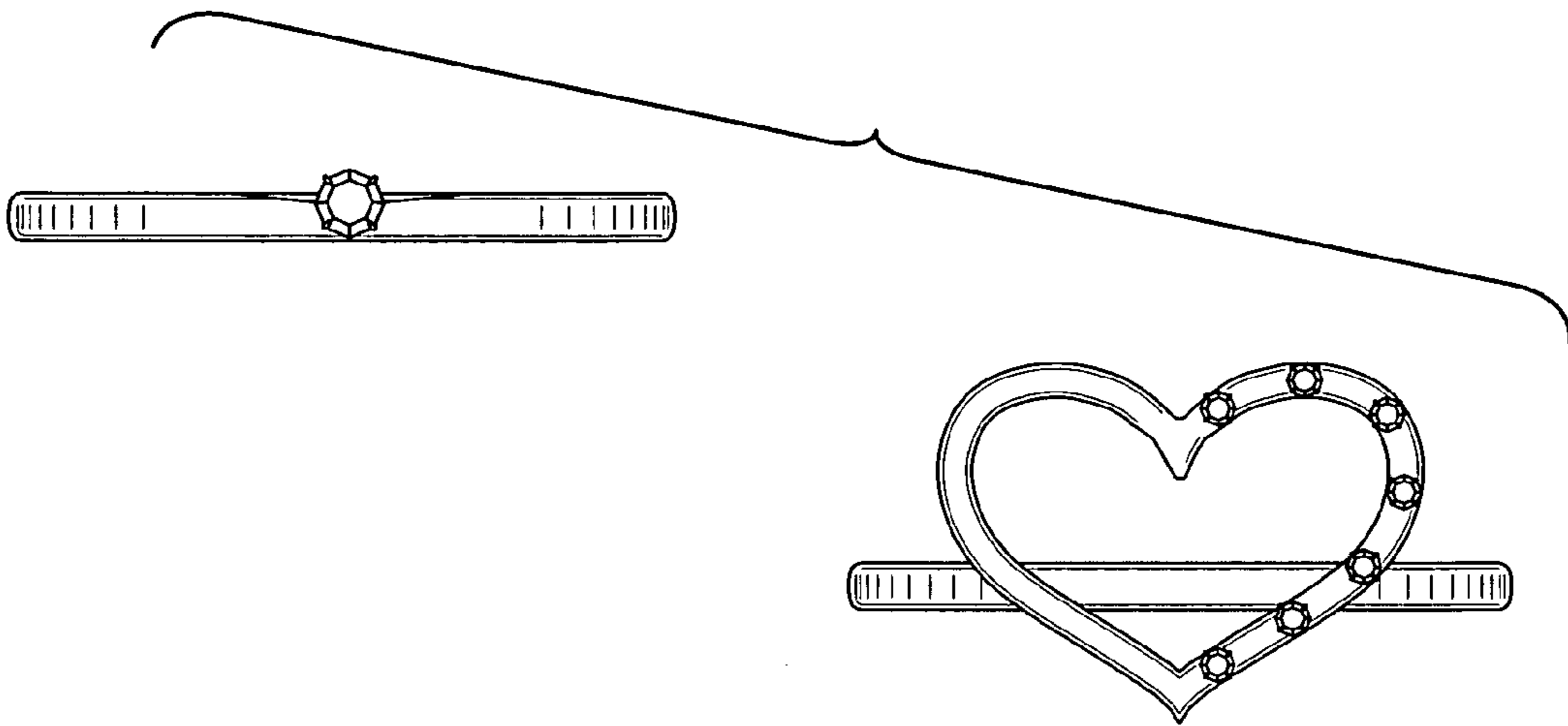


FIG. 2

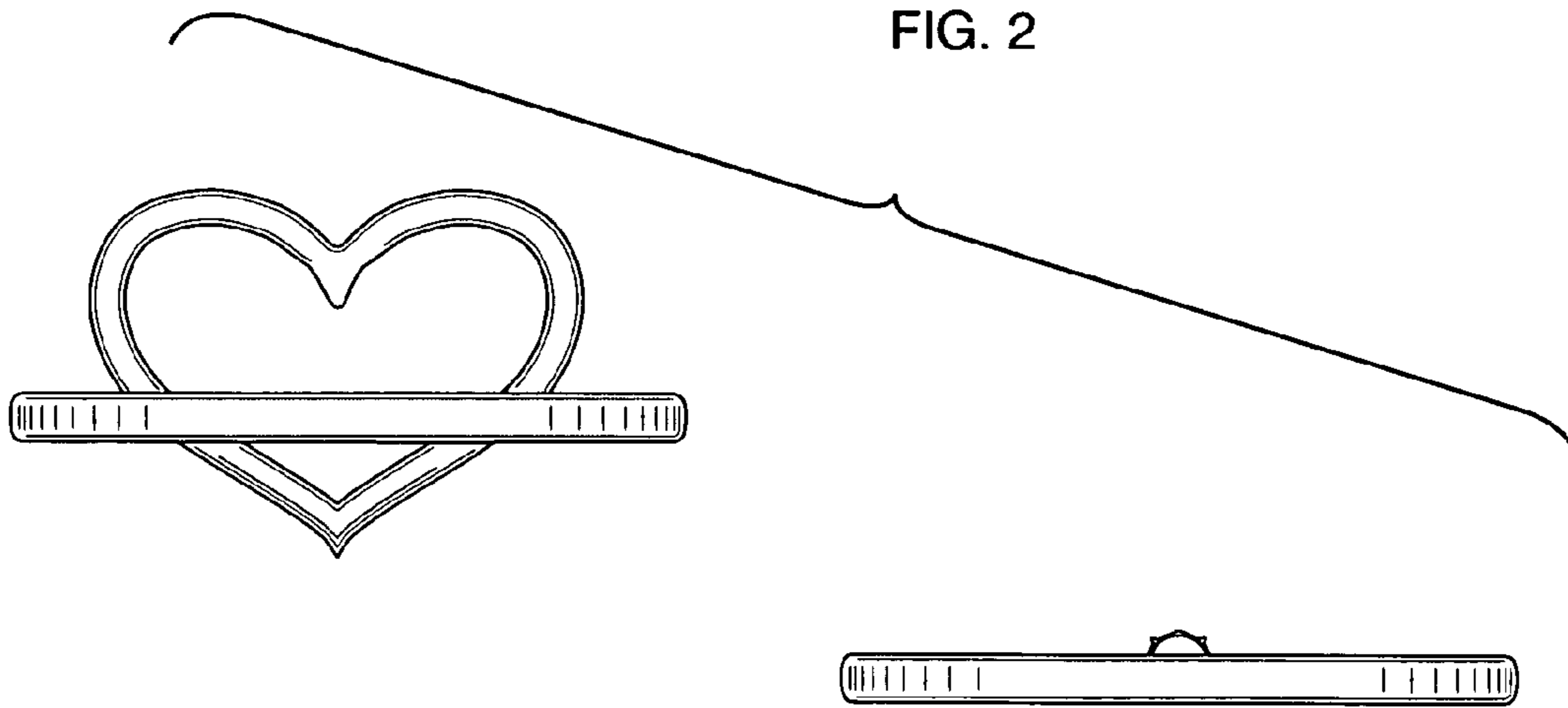


FIG. 3

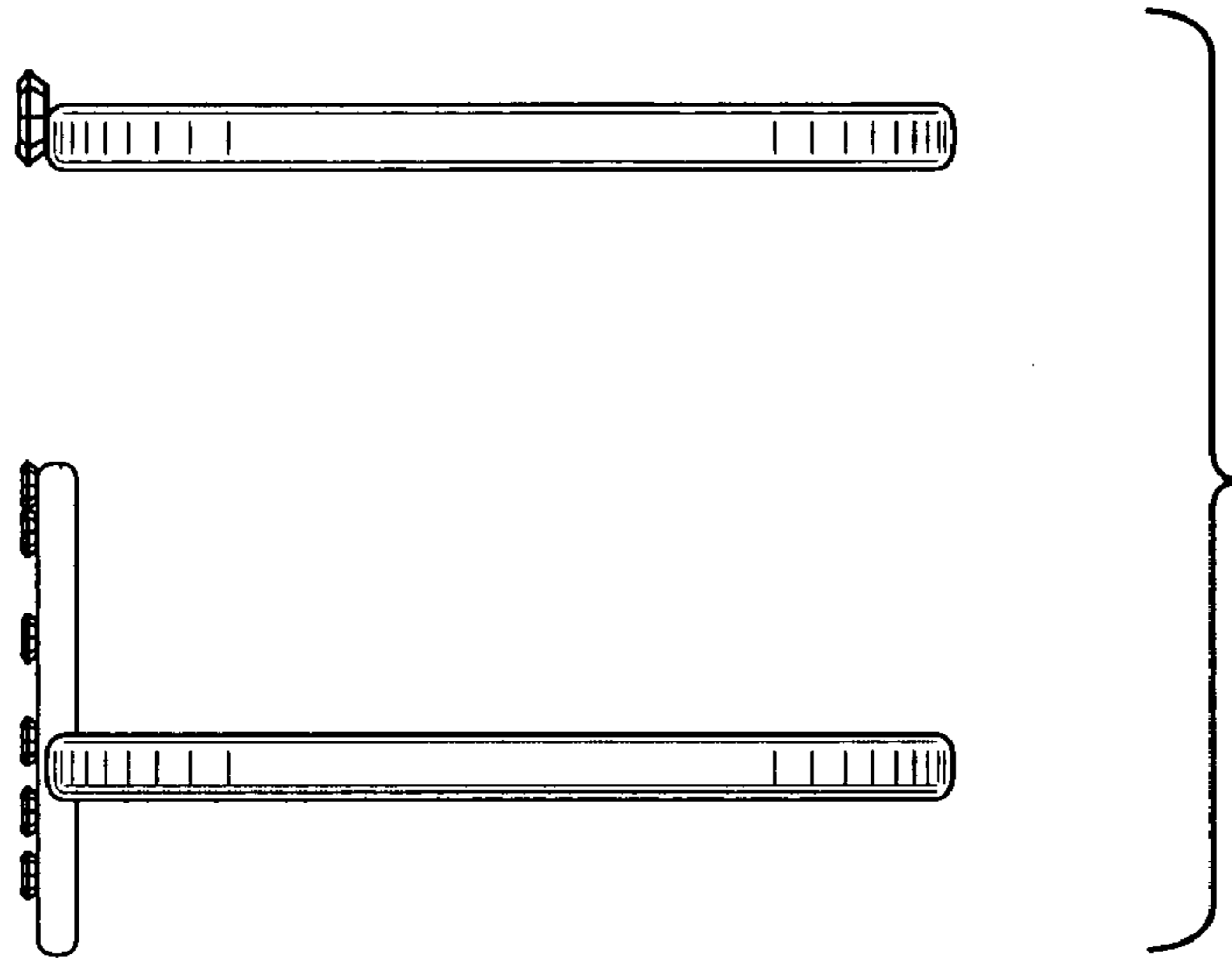


FIG. 4

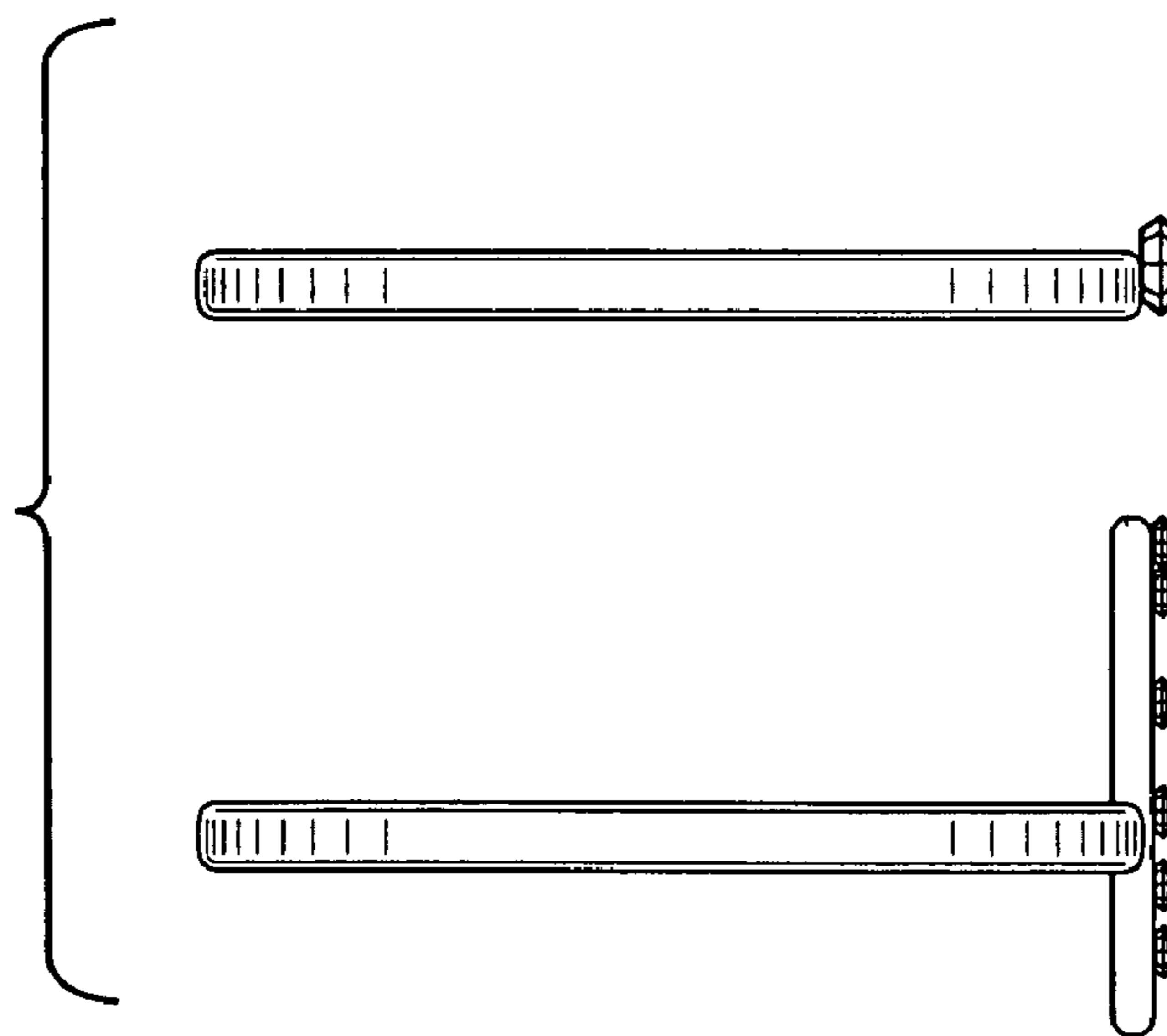


FIG. 5

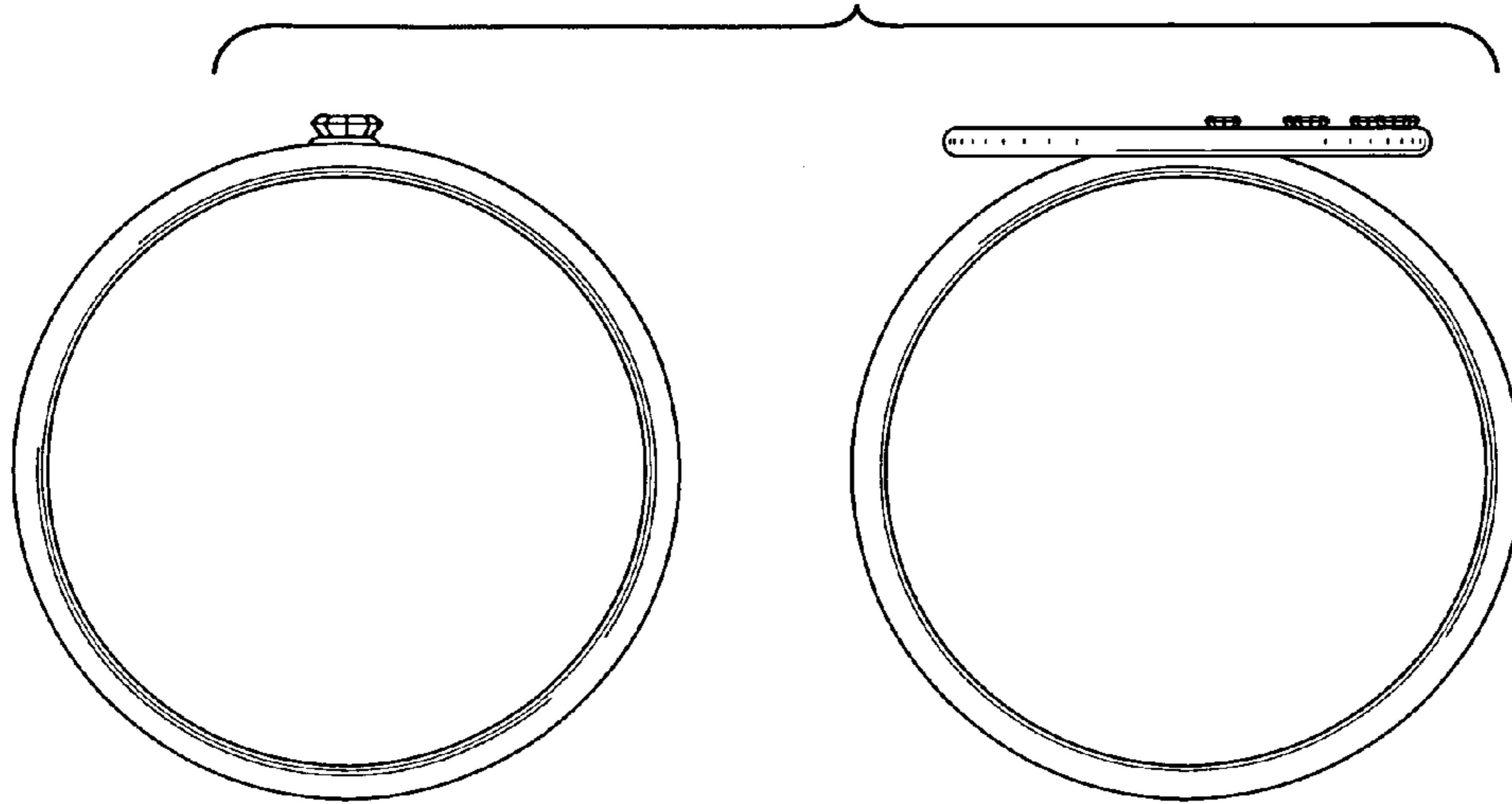


FIG. 6

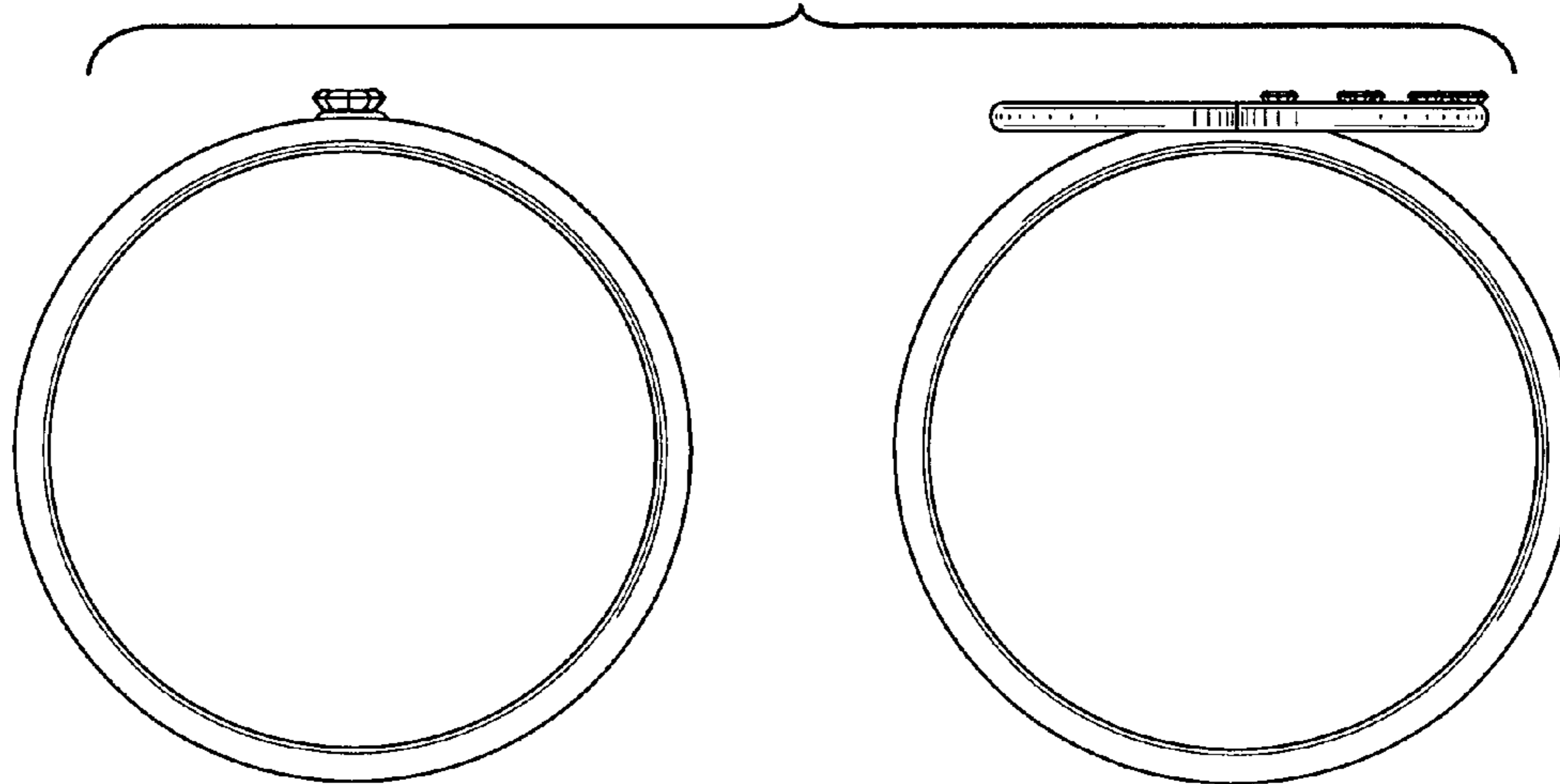


FIG. 7

